



US00D981457S

(12) **United States Design Patent**  
**Sherman**

(10) **Patent No.:** **US D981,457 S**  
(45) **Date of Patent:** **\*\* Mar. 21, 2023**

- (54) **MITER BAR**
- (71) Applicant: **Woodpeckers, LLC**, Strongsville, OH (US)
- (72) Inventor: **Wayne Sherman**, Hinckley, OH (US)
- (73) Assignee: **WOODPECKERS, LLC**, Strongsville, OH (US)
- (\*\*) Term: **15 Years**
- (21) Appl. No.: **29/807,374**
- (22) Filed: **Sep. 10, 2021**
- (51) **LOC (14) Cl.** ..... **15-09**
- (52) **U.S. Cl.**  
USPC ..... **D15/133**; D8/71; D10/65
- (58) **Field of Classification Search**  
USPC ..... D8/71; D10/65; D15/122, 125-127, D15/133, 134, 139, 140, 141  
CPC ..... B23Q 3/005; B27B 25/10; Y10T 83/6609  
See application file for complete search history.

- D827,460 S \* 9/2018 Lindberg ..... D10/65
- 10,166,692 B2 \* 1/2019 Frolov ..... B27B 25/10
- D913,068 S \* 3/2021 Chan ..... D8/71
- D951,785 S \* 5/2022 Turley ..... D10/65
- D957,964 S \* 7/2022 Cross ..... D10/65

\* cited by examiner

*Primary Examiner* — Michael C Stout  
*Assistant Examiner* — Fritzgerald L Butac  
(74) *Attorney, Agent, or Firm* — Sand, Sebolt & Wernow Co., LPA

(57) **CLAIM**

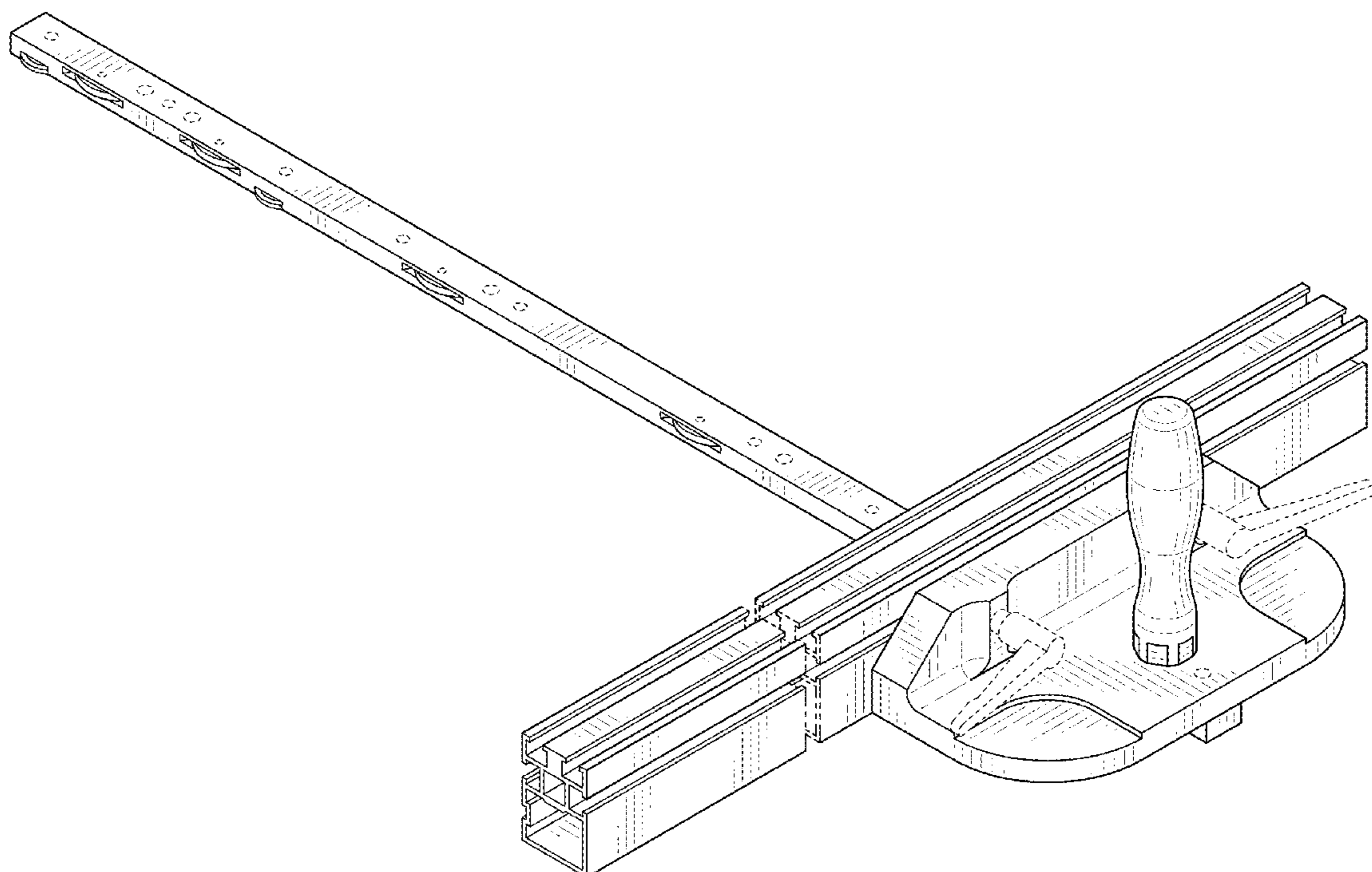
The ornamental design for a miter bar, as shown and described.

**DESCRIPTION**

FIG. 1 is a front, top, left side isometric perspective view of a miter bar in accordance with my design;  
FIG. 2 is a front elevation view thereof;  
FIG. 3 is a rear elevation view thereof;  
FIG. 4 is a top plan view thereof;  
FIG. 5 is a bottom plan view thereof;  
FIG. 6 is a left side elevation view thereof; and,  
FIG. 7 is a right side elevation view thereof.  
The broken lines illustrate portions of the miter bar which form no part of the claimed design.  
The “dash-dot” broken lines in FIGS. 1-5 are meant to show a symbolic break in the claimed design. Any portion which appears between the symbolic break lines forms no part of the claimed design.

**1 Claim, 5 Drawing Sheets**

- (56) **References Cited**  
U.S. PATENT DOCUMENTS  
D351,775 S \* 10/1994 Wedler ..... D8/71  
D428,899 S \* 8/2000 Brutscher ..... D15/133  
6,237,457 B1 5/2001 Taylor  
6,776,076 B2 \* 8/2004 Salazar ..... B27B 27/08  
83/522.18  
7,245,199 B1 \* 7/2007 Reilly ..... B27B 27/00  
33/DIG. 1  
7,421,798 B2 \* 9/2008 Pattee ..... B23Q 9/005  
33/534  
D635,001 S \* 3/2011 Adkins ..... D8/71



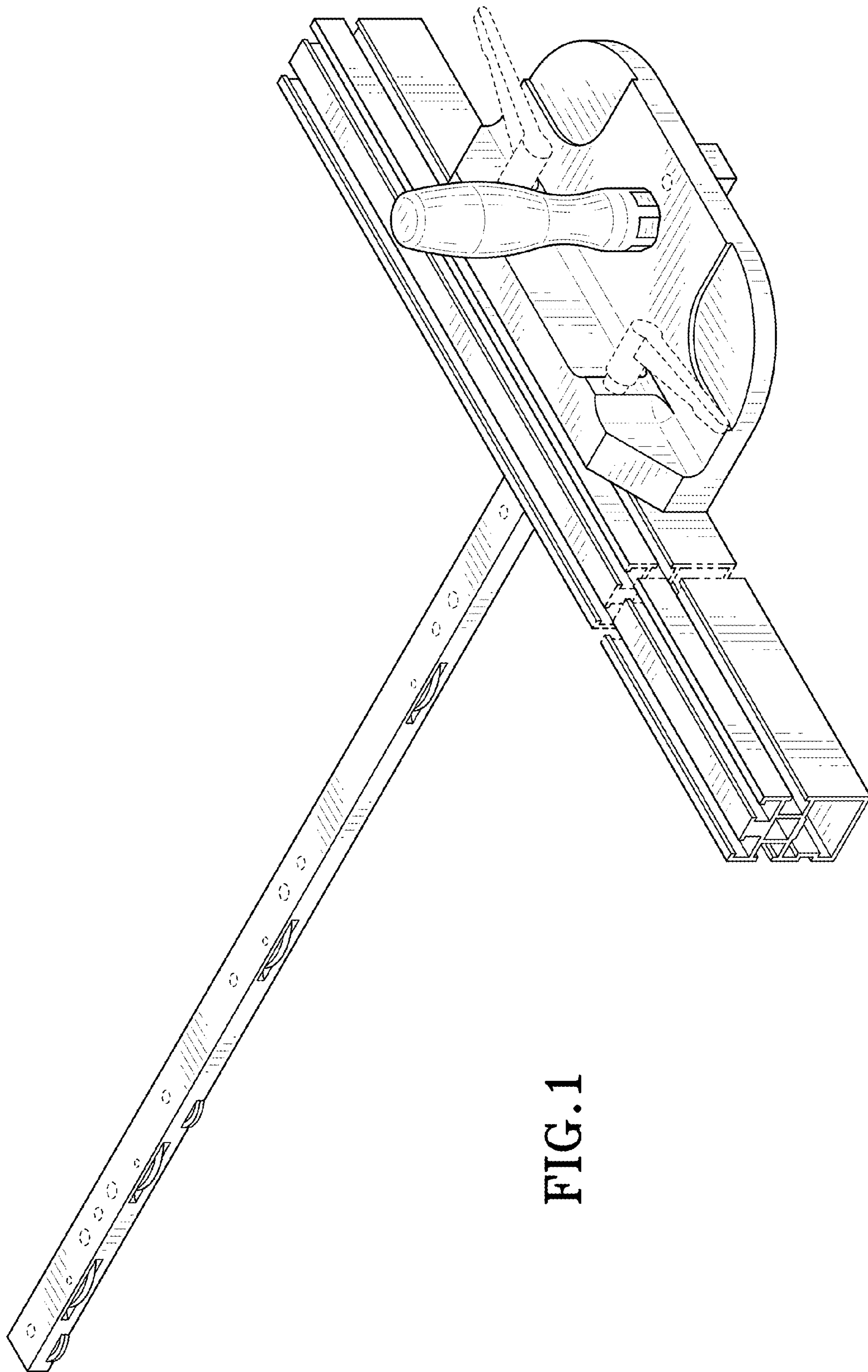


FIG. 1

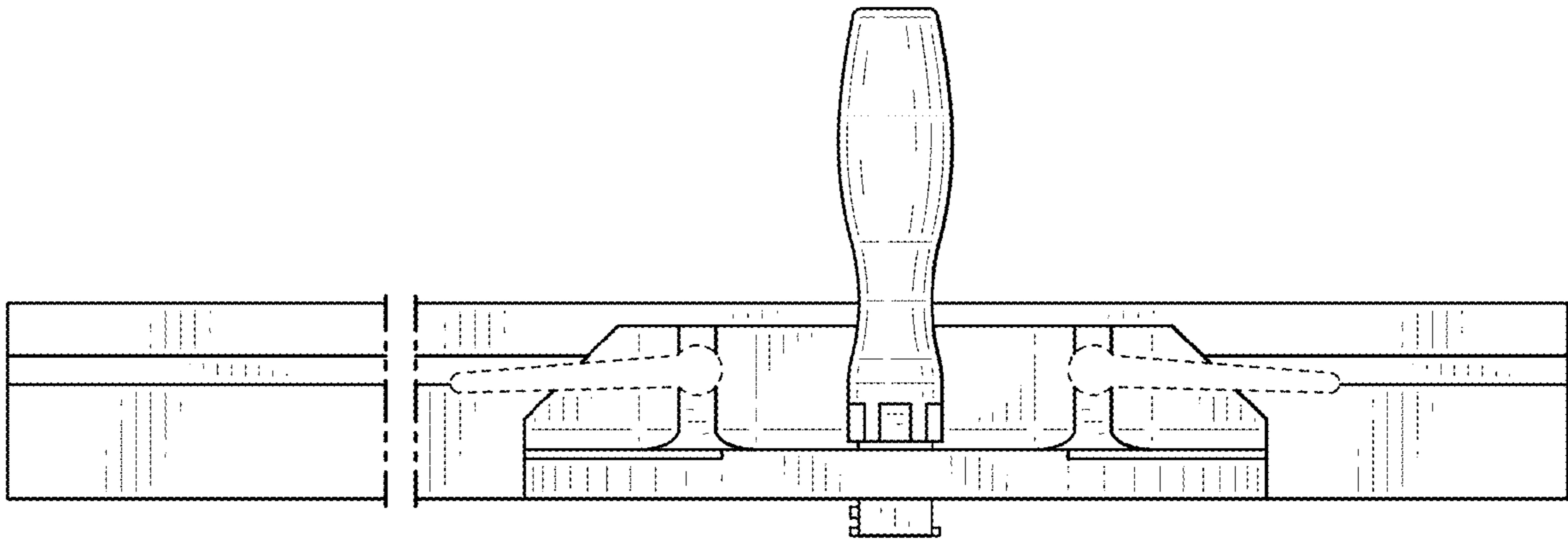


FIG. 2

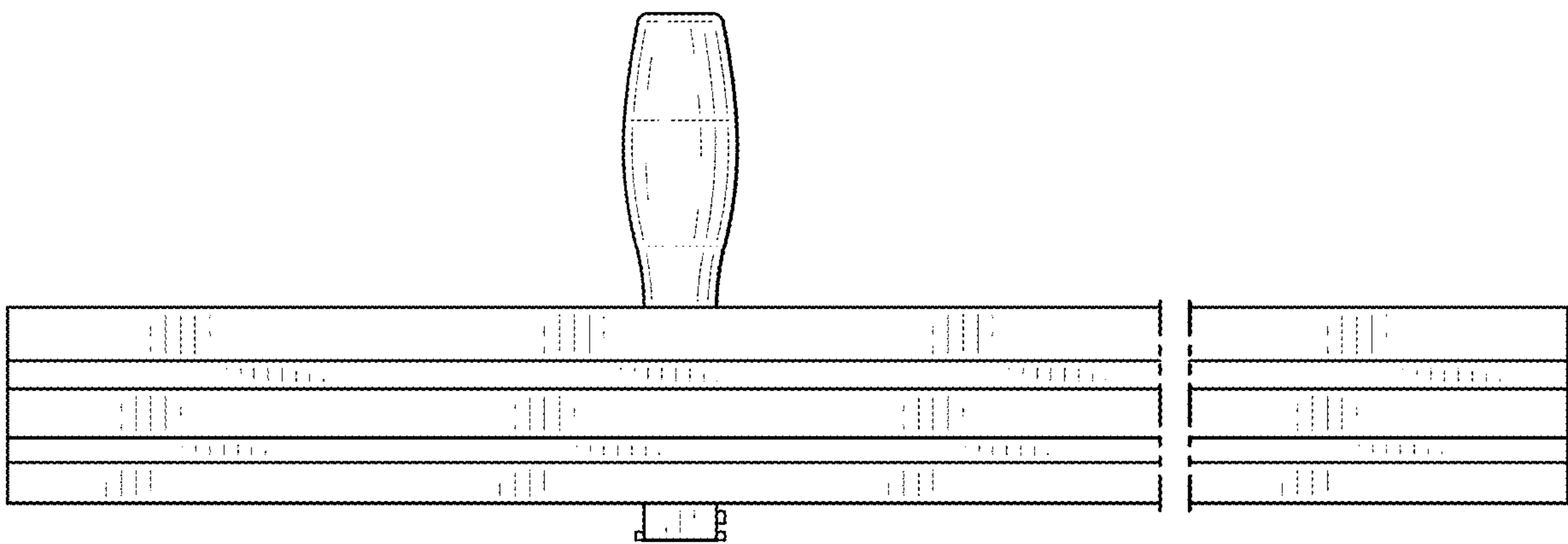
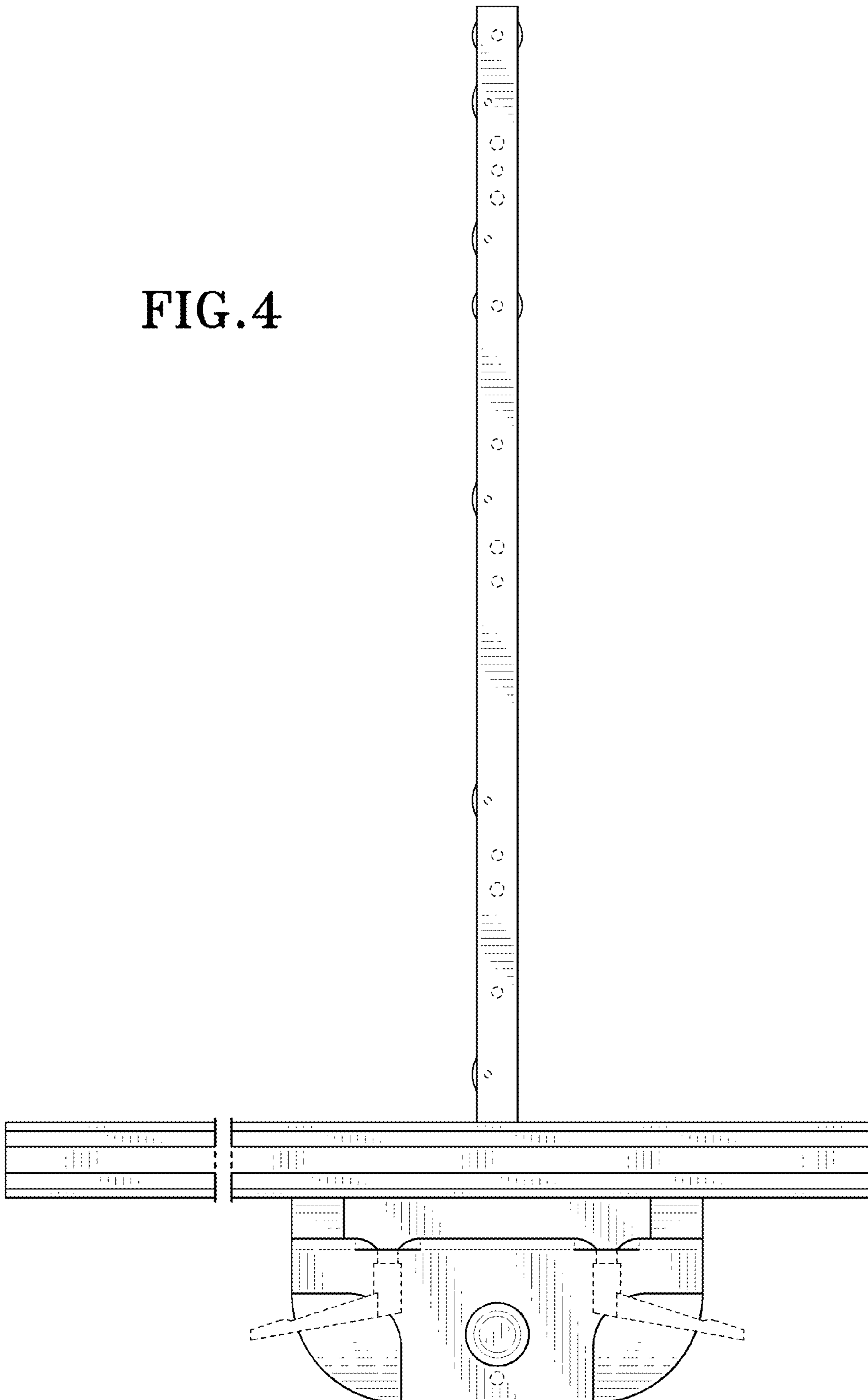


FIG. 3

FIG. 4



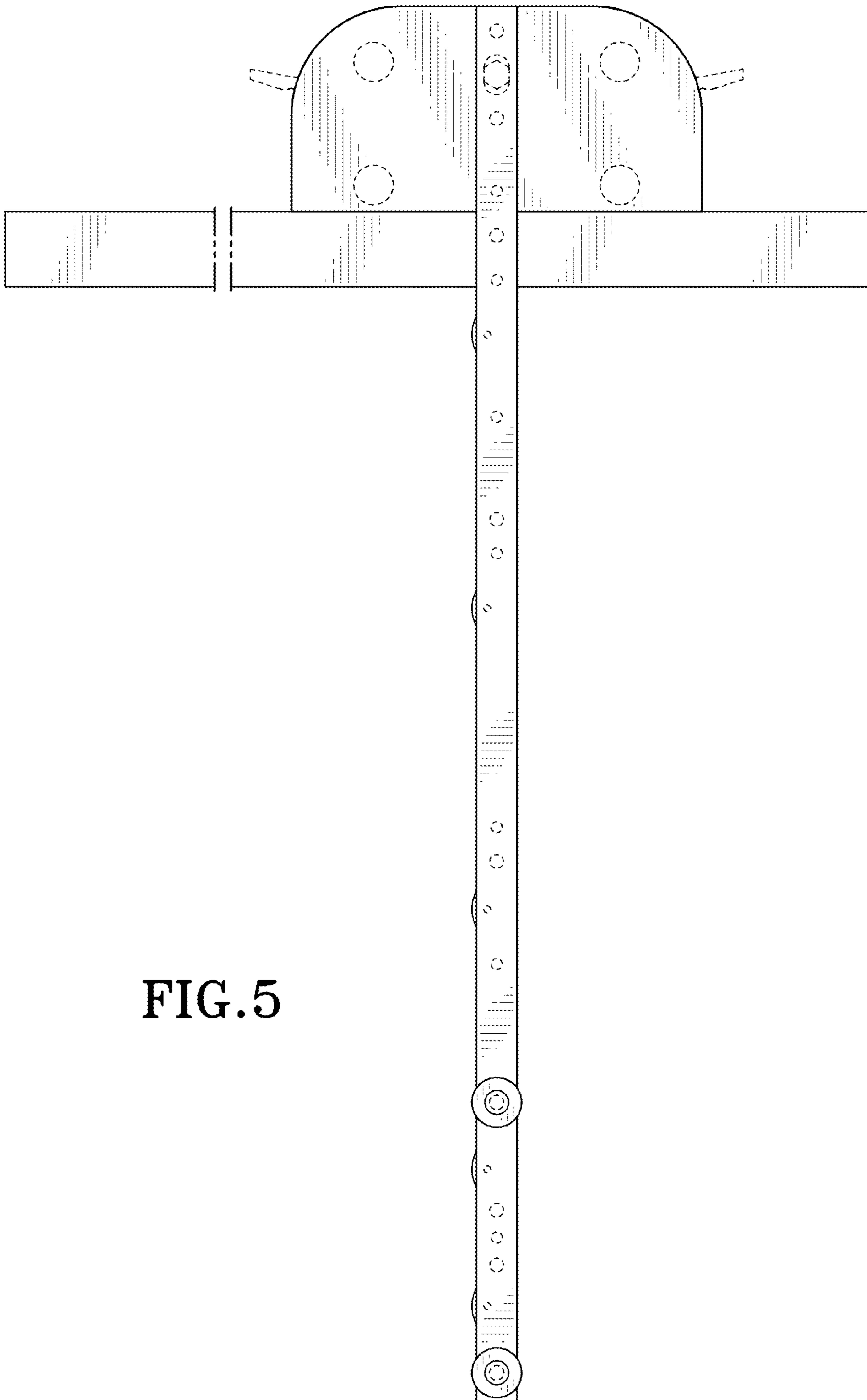


FIG.5



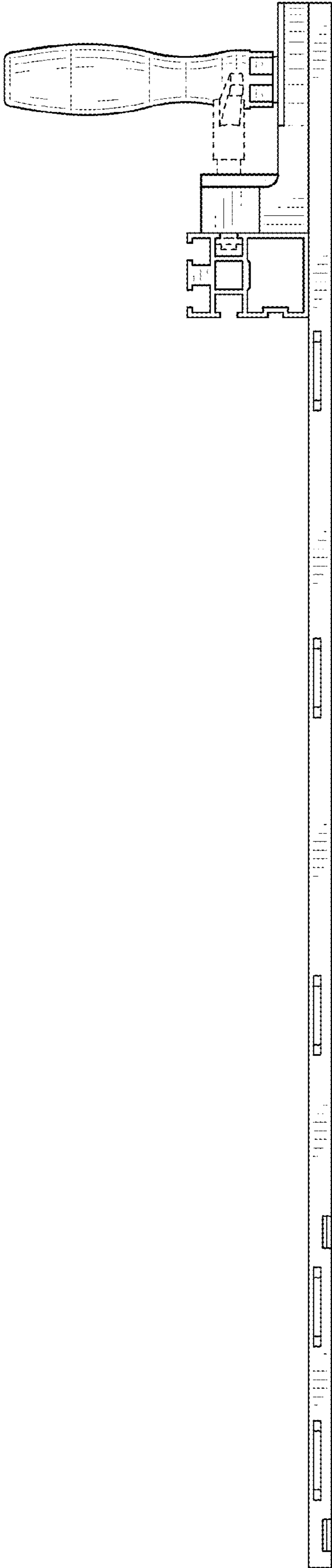


FIG. 6

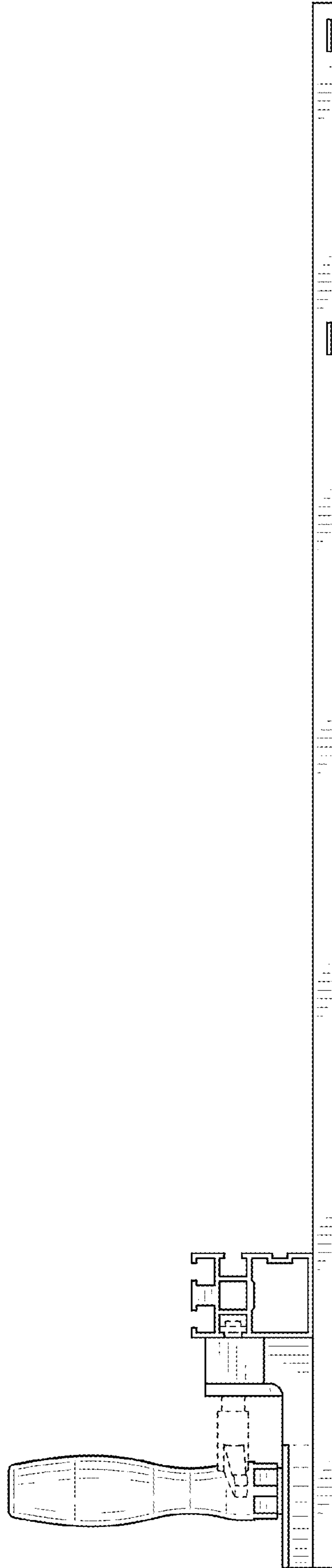


FIG. 7