



US00D981456S

(12) **United States Design Patent**
Reichental et al.

(10) **Patent No.:** **US D981,456 S**
(45) **Date of Patent:** **** Mar. 21, 2023**

(54) **THREE-DIMENSIONAL PRINTER**
(71) Applicant: **NEXA3D INC.**, Ventura, CA (US)
(72) Inventors: **Avi N. Reichental**, Carpinteria, CA (US); **Izhar Medalsy**, Ventura, CA (US); **Beneil Eisavi**, Camarillo, CA (US); **Eduardo Reveles**, Santa Barbara, CA (US); **Miguel Cuevas Sandoval**, Camarillo, CA (US); **Francis Kenyon Whetsell**, Ventura, CA (US)

D854,591 S * 7/2019 Gupta D15/135
D887,461 S * 6/2020 Malmén D15/122
D895,698 S * 9/2020 Palmer D15/122
D902,266 S * 11/2020 Oliver Gonzalez D15/122
D903,730 S * 12/2020 Johnson D15/135
D905,134 S * 12/2020 Chen D15/122
D907,077 S * 1/2021 Gjovik D15/135
D921,718 S * 6/2021 Clark, III D15/135
D922,456 S * 6/2021 Schmitt D15/122
D927,565 S * 8/2021 Yao D15/122
D927,566 S * 8/2021 Yao D15/122
D934,926 S * 11/2021 Hong D15/122
D938,502 S * 12/2021 Yang D15/122

(73) Assignee: **NEXA3D INC.**, Ventura, CA (US)

* cited by examiner

(**) Term: **15 Years**

Primary Examiner — Michael C Stout

Assistant Examiner — Fritzgerald L Butac

(21) Appl. No.: **29/790,174**

(74) *Attorney, Agent, or Firm* — Ascenda Law Group, PC

(22) Filed: **Nov. 10, 2021**

(51) **LOC (14) Cl.** **15-09**

(52) **U.S. Cl.**
USPC **D15/122; D15/135**

(58) **Field of Classification Search**
USPC D15/122, 135, 199; D13/184; D18/50;
D23/206, 214, 233–235, 245, 247, 249,
D23/257, 259, 260, 270
CPC B26B 1/001; B26C 64/00; B26C 64/20;
B33Y 10/00; B33Y 30/00
See application file for complete search history.

(56) **References Cited**

U.S. PATENT DOCUMENTS

D732,586 S * 6/2015 Chen D15/122
D777,228 S * 1/2017 Chang D15/135
D777,808 S * 1/2017 Chang D15/135
D823,358 S * 7/2018 Cesar D15/122

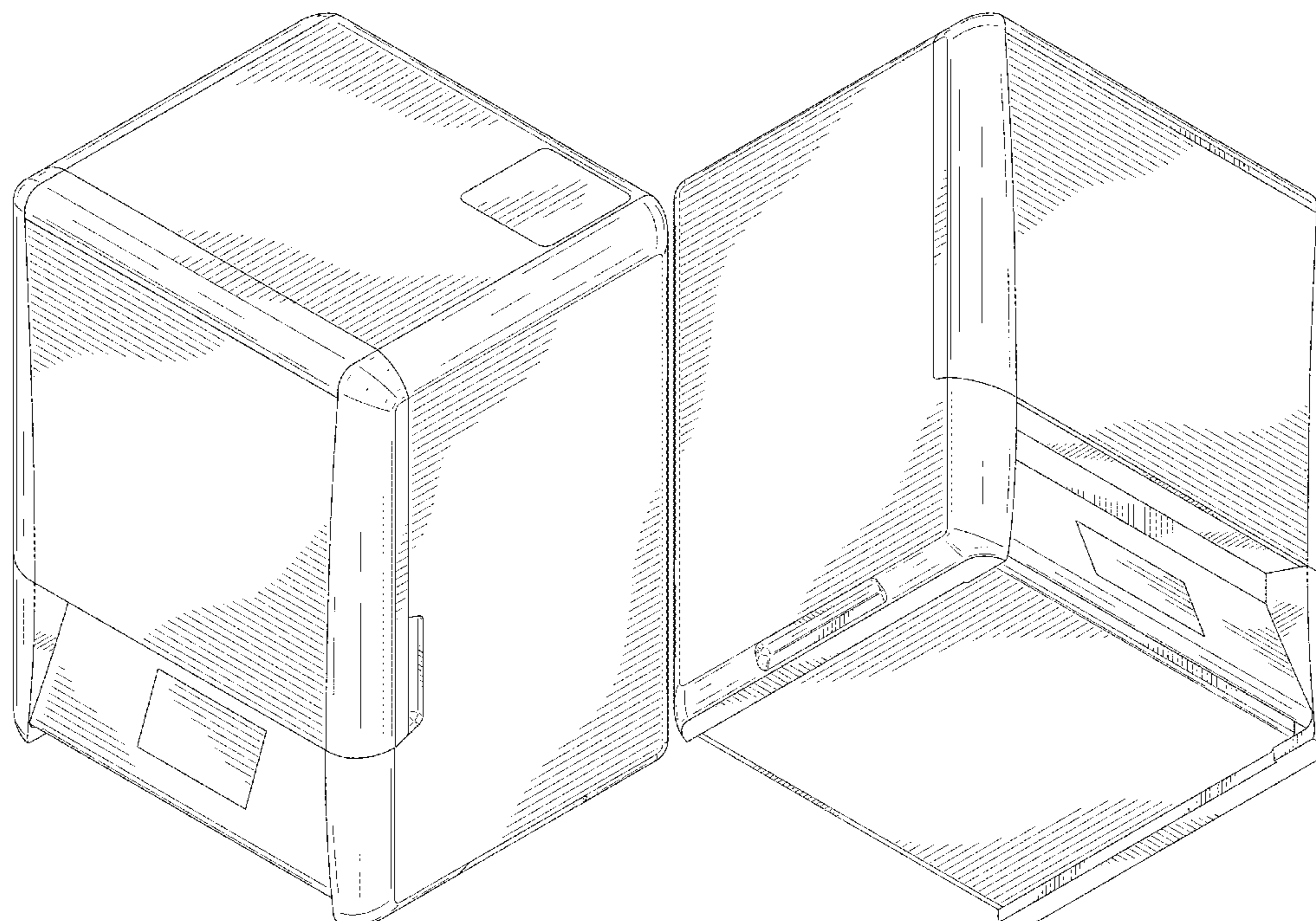
(57) **CLAIM**

The ornamental design for a three-dimensional printer, as shown and described.

DESCRIPTION

FIG. 1 top-front perspective view of a three-dimensional printer showing the new design;
FIG. 2 is a bottom-front perspective view thereof;
FIG. 3 is a bottom-rear perspective view thereof;
FIG. 4 is a top-rear perspective view thereof;
FIG. 5 is a front view thereof;
FIG. 6 is a back view thereof;
FIG. 7 is a left side view thereof;
FIG. 8 is a right side view thereof;
FIG. 9 is a top view thereof; and,
FIG. 10 is a bottom view thereof.

1 Claim, 10 Drawing Sheets



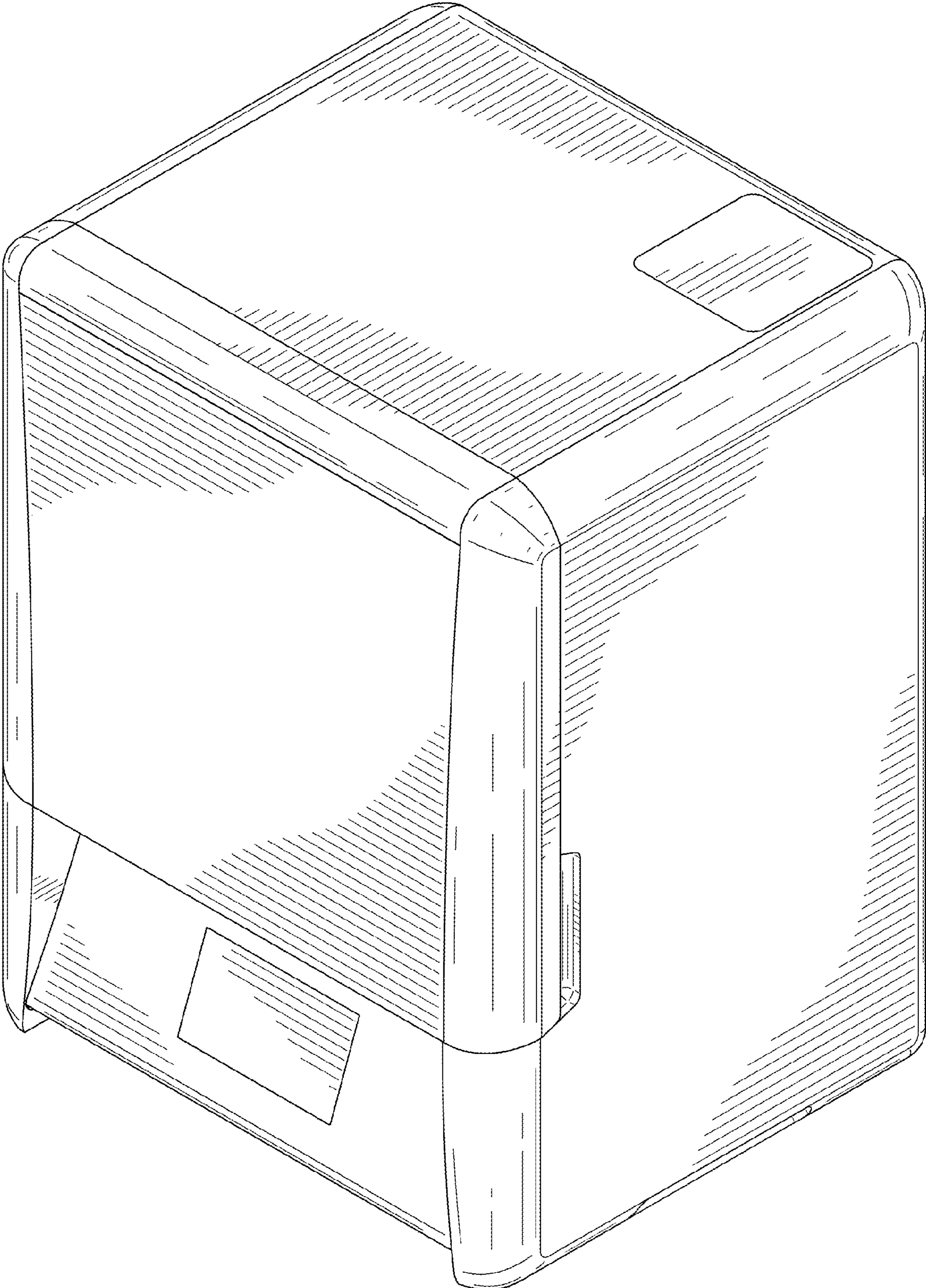


FIG. 1

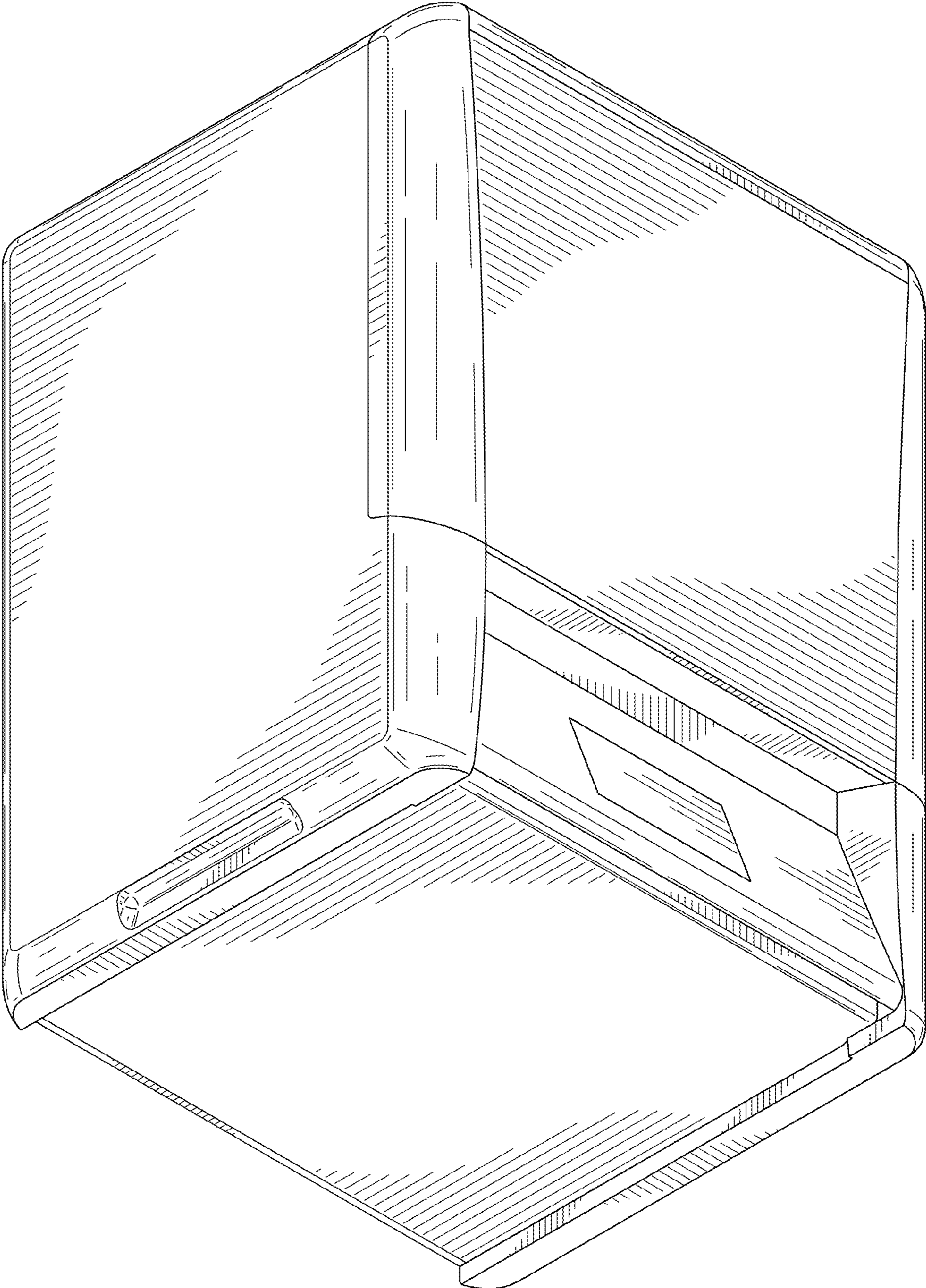


FIG. 2

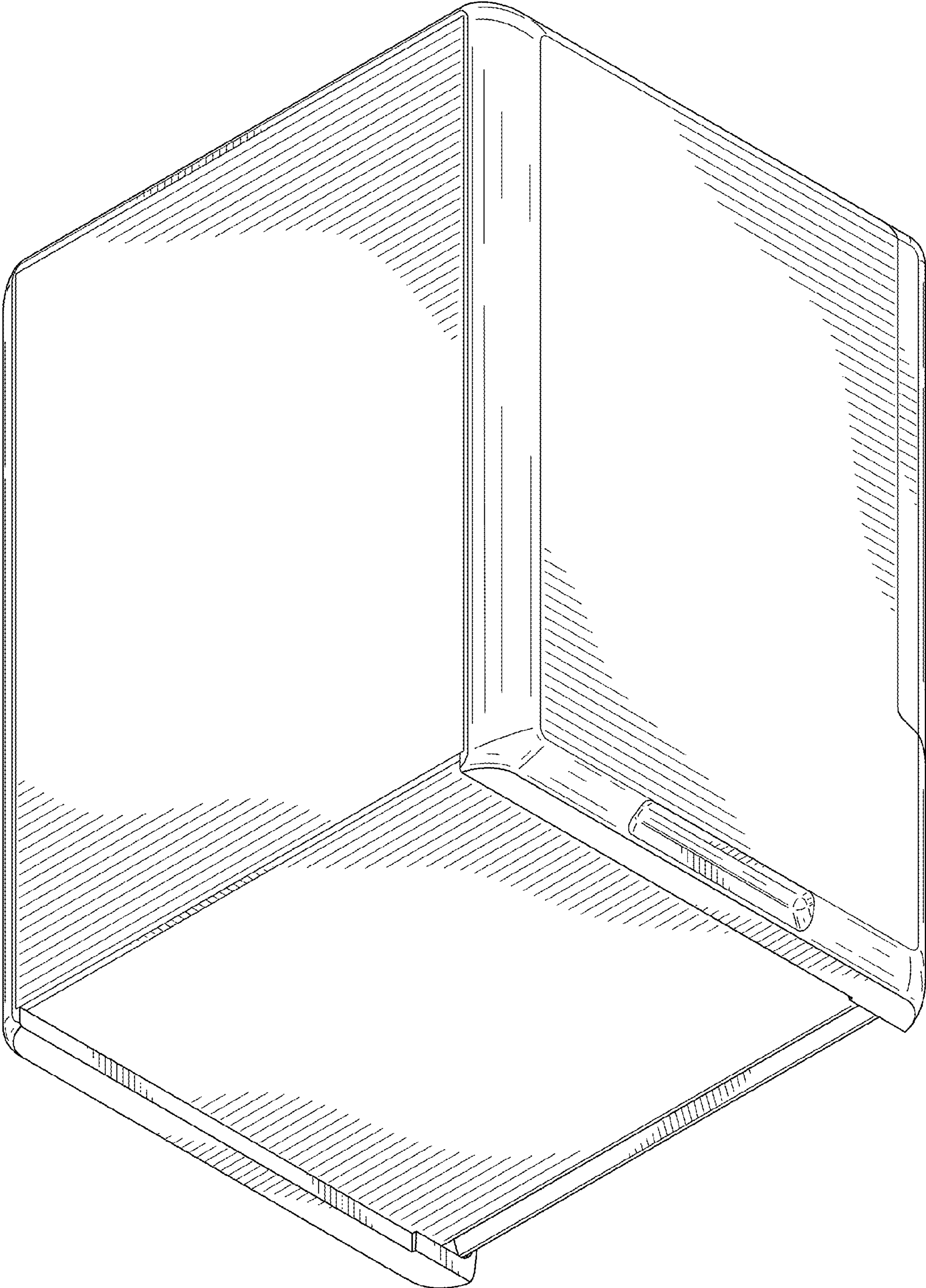


FIG. 3

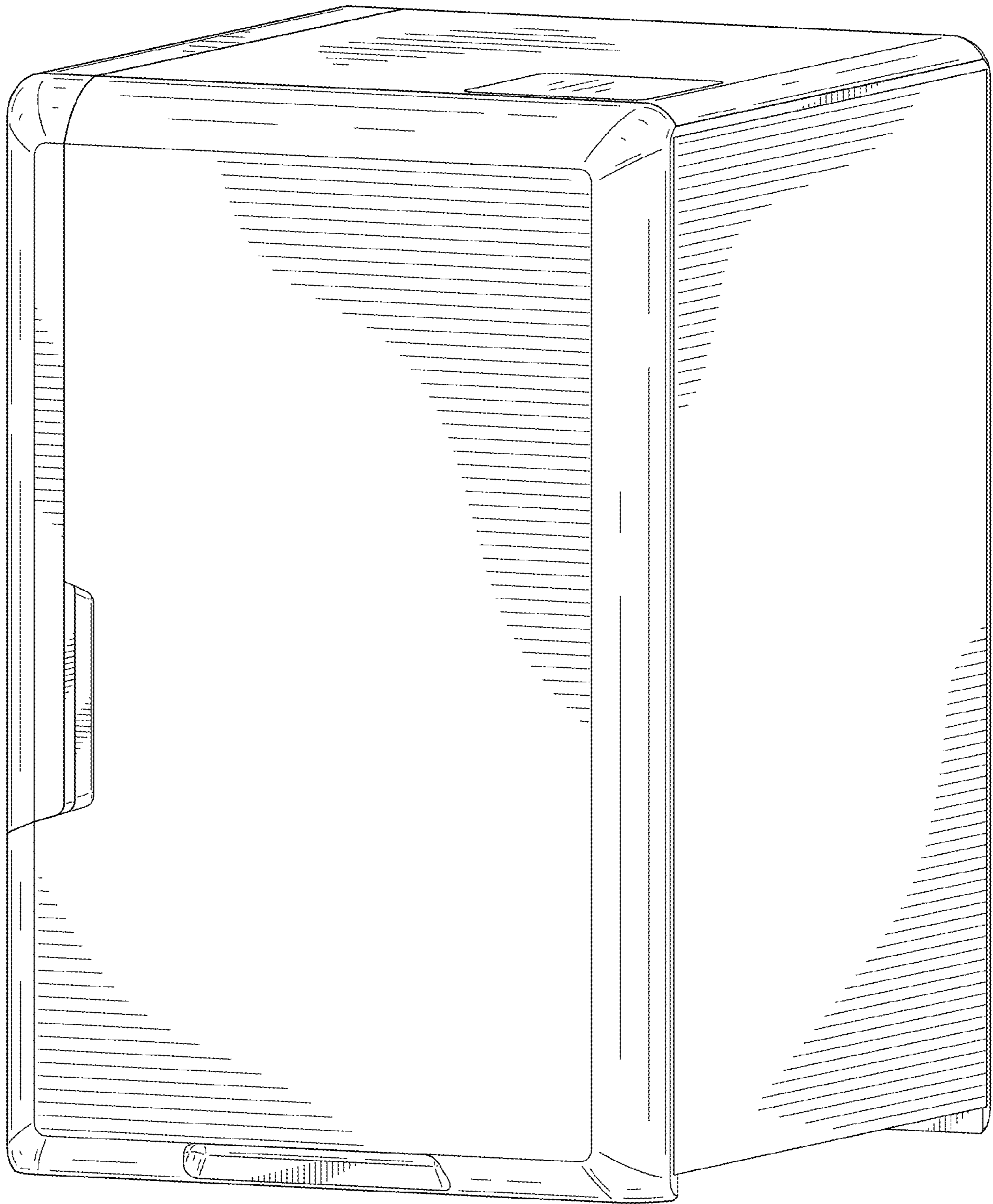


FIG. 4

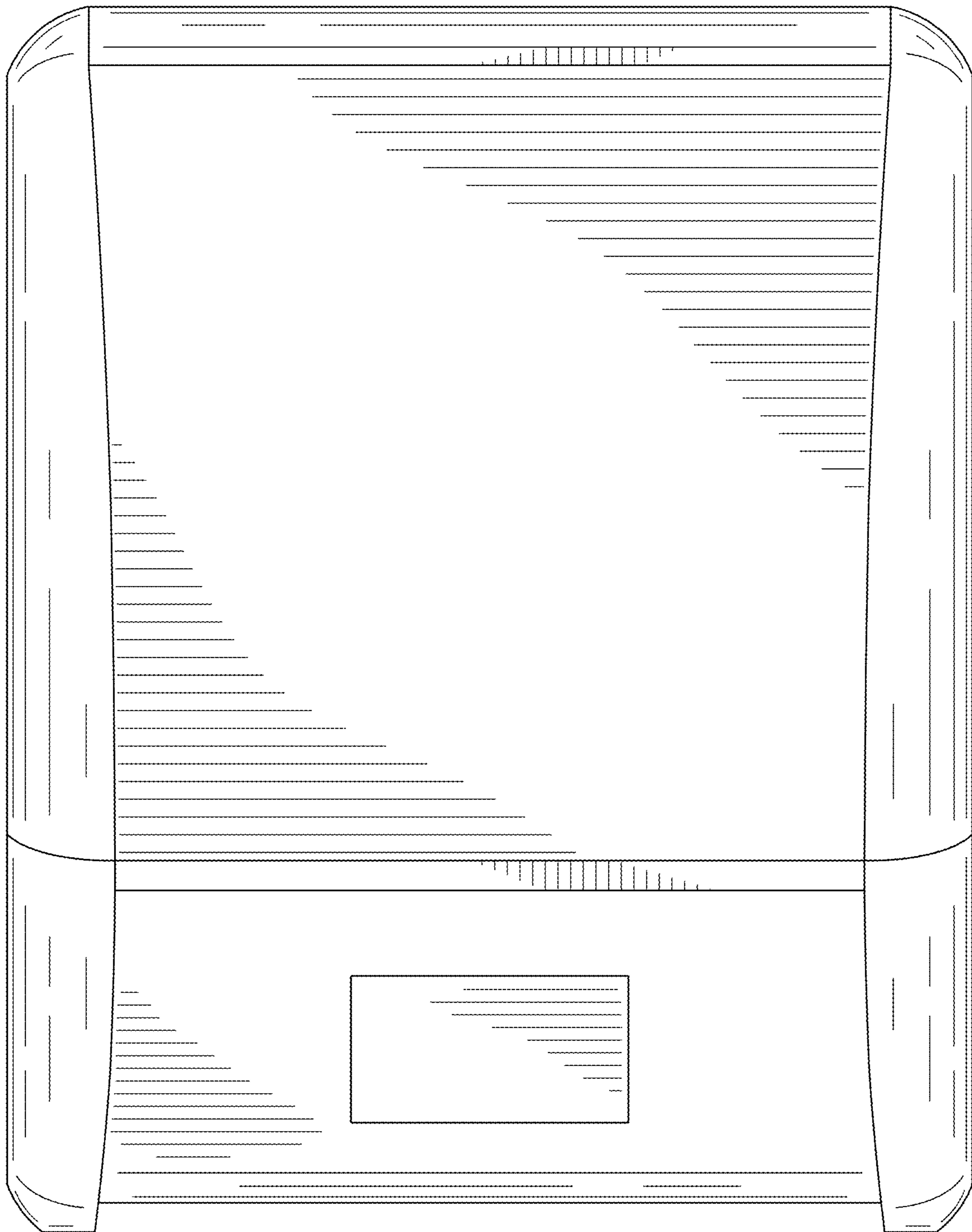


FIG. 5

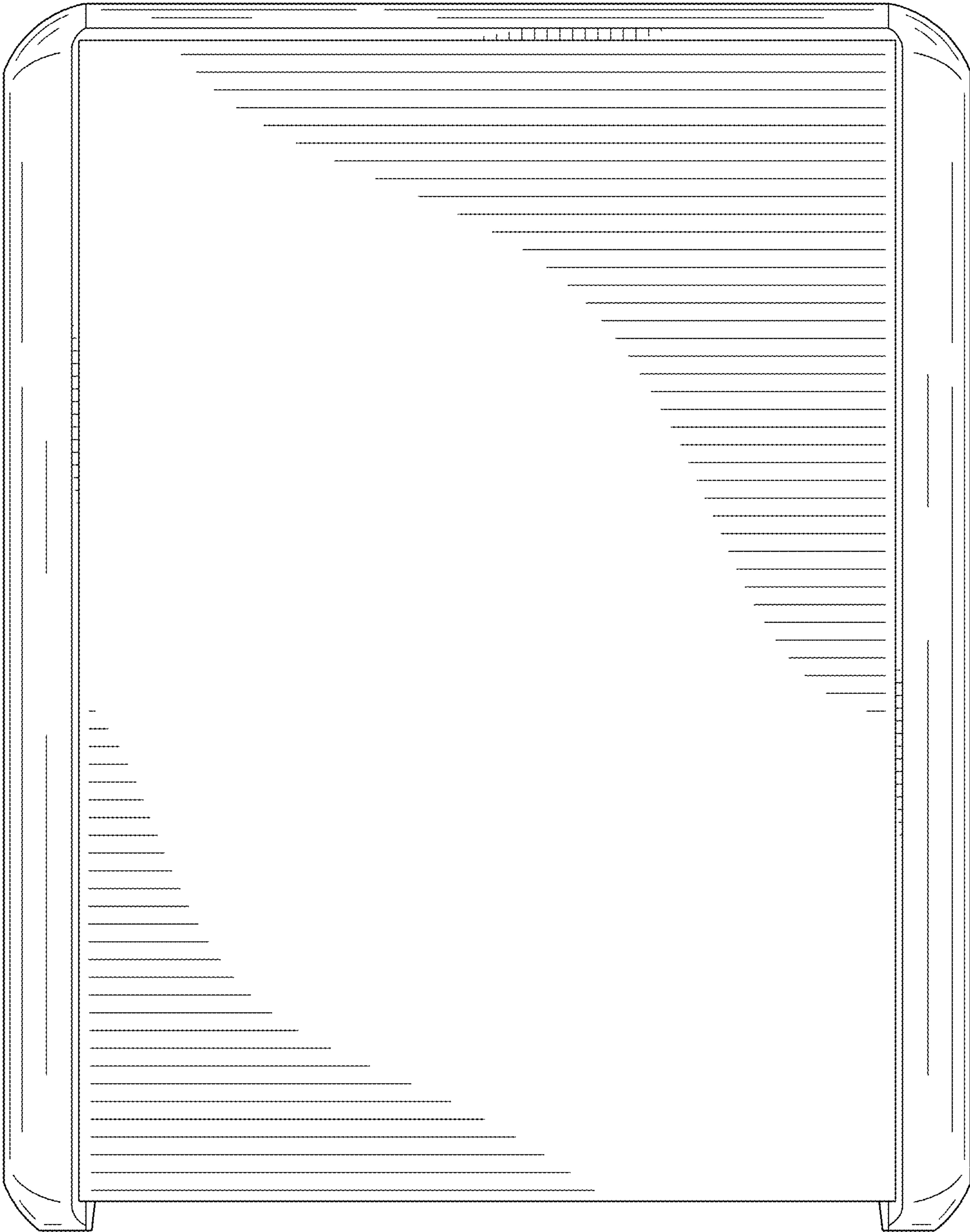


FIG. 6

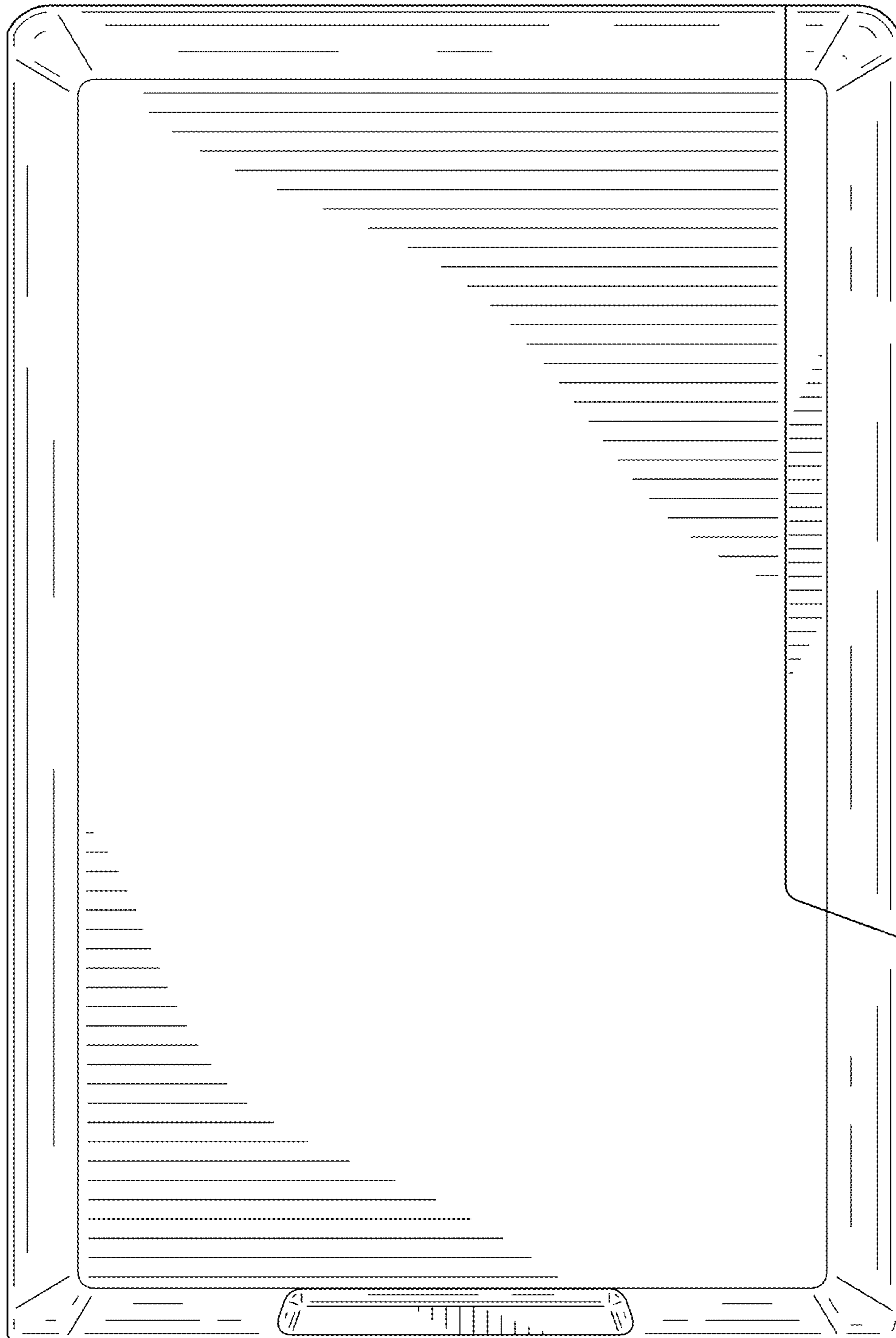


FIG. 7

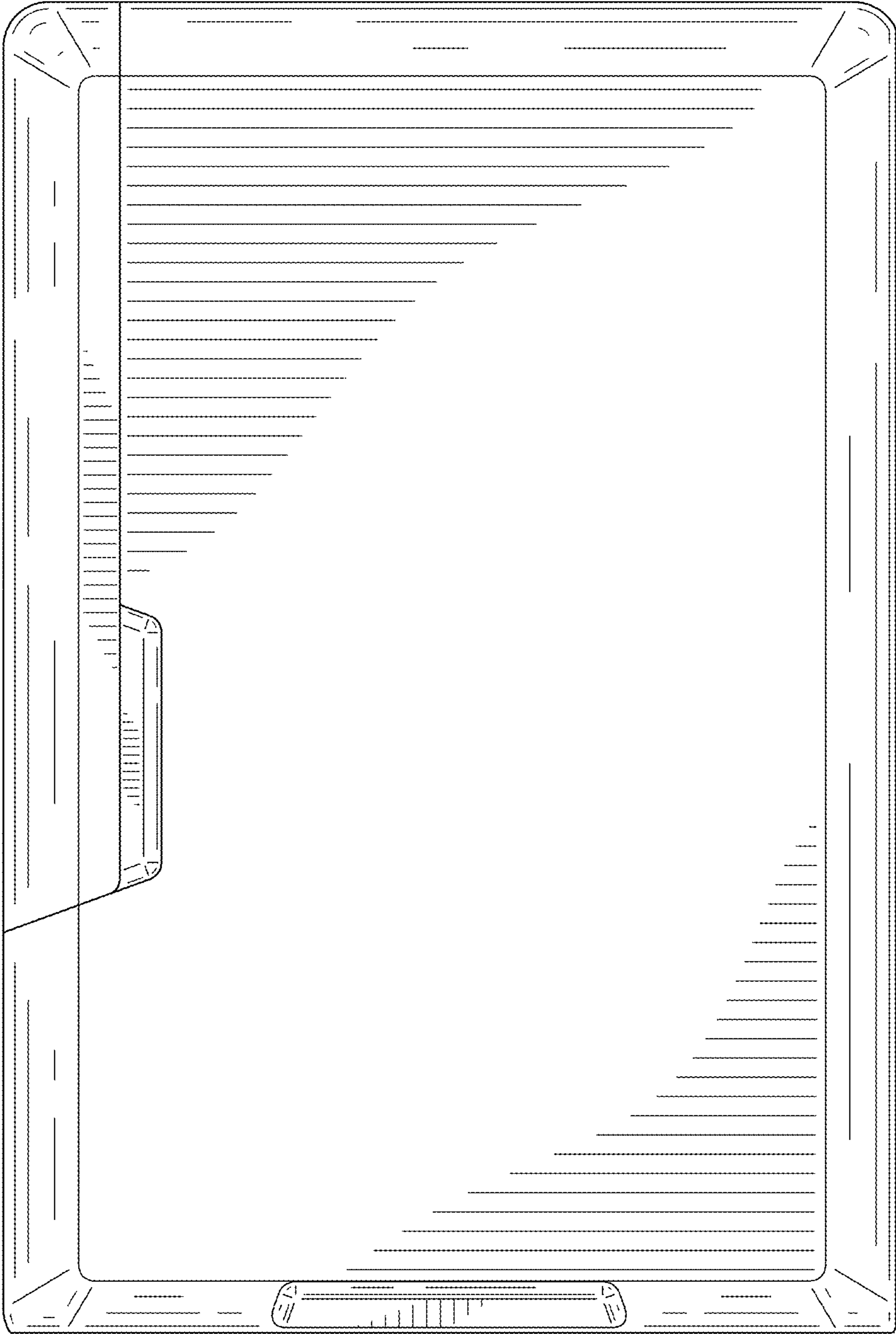


FIG. 8



FIG. 9

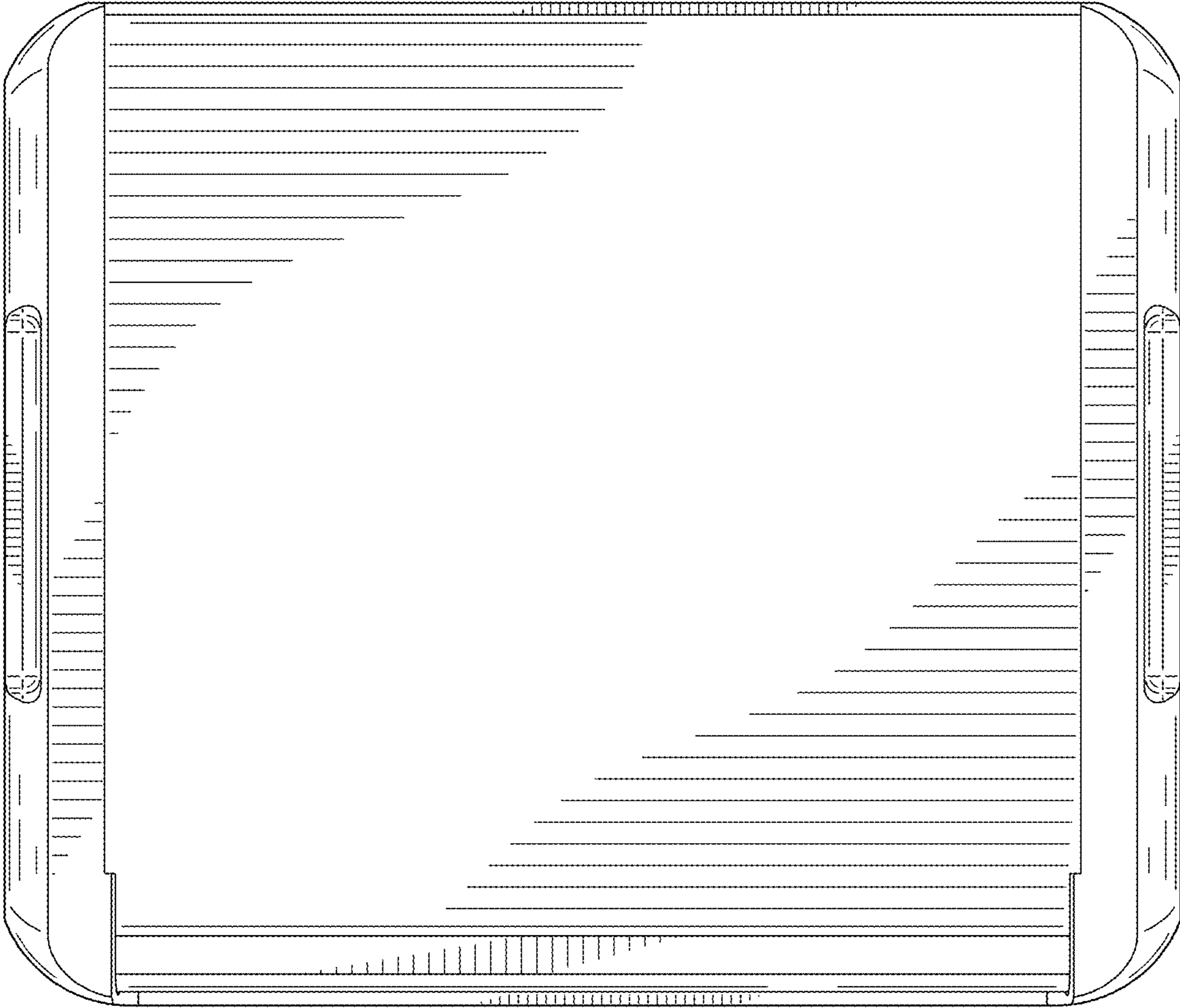


FIG. 10