



US00D981455S

(12) **United States Design Patent** (10) **Patent No.:** **US D981,455 S**  
**Hüssy** (45) **Date of Patent:** **\*\* Mar. 21, 2023**

(54) **STRAPPING TOOL**  
(71) Applicant: **Signode Industrial Group LLC**,  
Tampa, FL (US)

D864,688 S \* 10/2019 Hochstrasser ..... D15/145  
D874,897 S \* 2/2020 Hochstrasser ..... D15/145  
D889,229 S \* 7/2020 Hochstrasser ..... D15/145  
(Continued)

(72) Inventor: **Joel Hüssy**, Uitikon (CH)  
(73) Assignee: **Signode Industrial Group LLC**,  
Tampa, FL (US)

FOREIGN PATENT DOCUMENTS

CN 304339364 S 11/2017  
CN 304633622 S 5/2018  
(Continued)

(\*\*) Term: **15 Years**  
(21) Appl. No.: **29/866,983**  
(22) Filed: **Oct. 4, 2022**

OTHER PUBLICATIONS

“Official Letter and Search”, from corresponding Taiwan Patent Application No. 110300955, Sep. 17, 2021.  
(Continued)

**Related U.S. Application Data**

(62) Division of application No. 29/749,696, filed on Sep. 8, 2020, now Pat. No. Des. 969,883.  
(51) **LOC (14) Cl.** ..... **08-05**  
(52) **U.S. Cl.**  
USPC ..... **D15/67; D15/145**  
(58) **Field of Classification Search**  
USPC ..... D8/41, 61, 67, 68, 69; D15/145, 146, D15/199  
CPC ..... B65B 13/34; B65B 13/22; B65B 13/027; B65B 13/345  
See application file for complete search history.

*Primary Examiner* — Darlington Ly  
(74) *Attorney, Agent, or Firm* — Neal, Gerber & Eisenberg LLP

(57) **CLAIM**

The ornamental design for a strapping tool, as shown and described.

**DESCRIPTION**

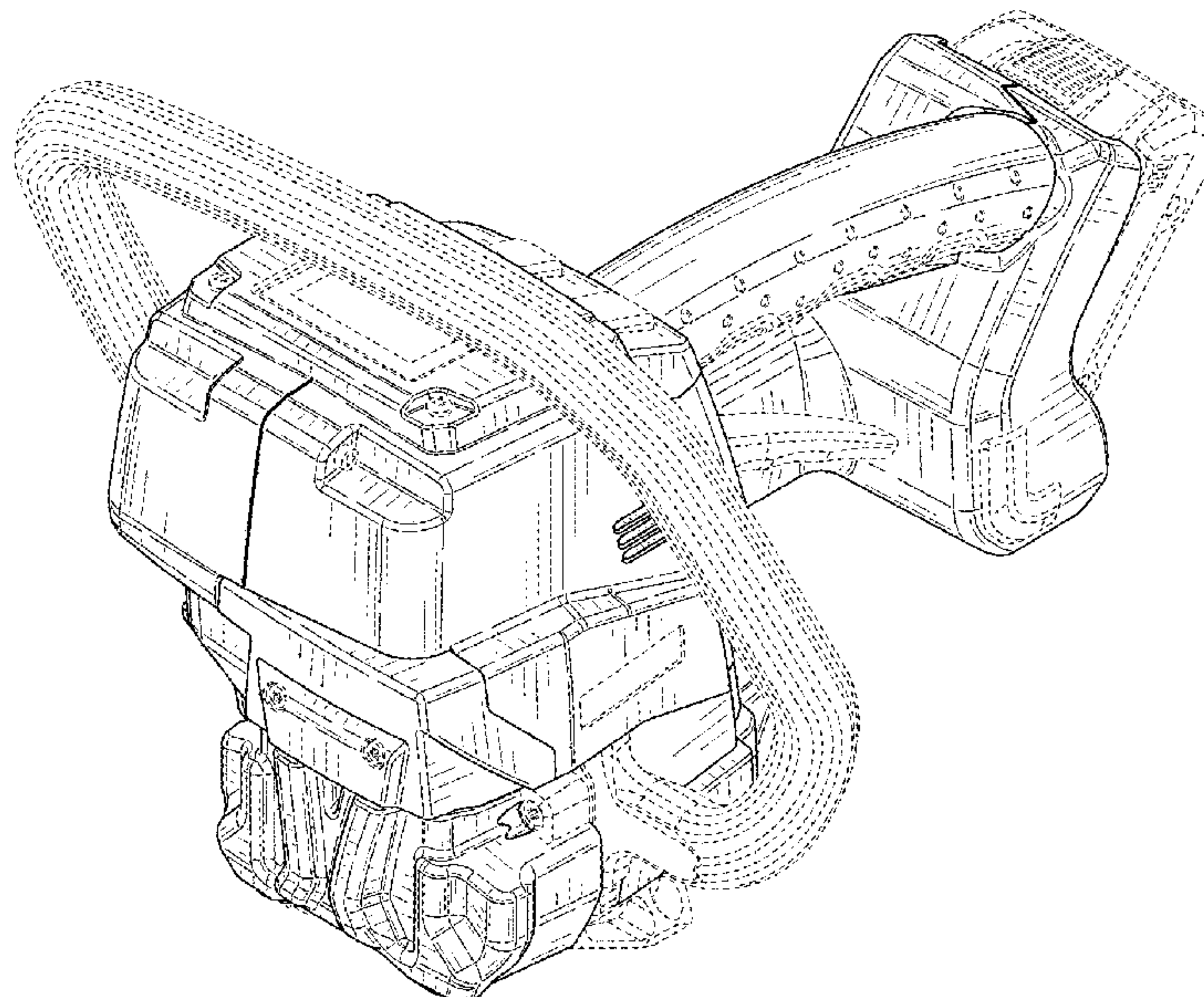
FIG. 1 is a perspective view of one embodiment of the strapping tool of my new design.  
FIG. 2 is a front elevational view of the strapping tool of FIG. 1.  
FIG. 3 is a back elevational view of the strapping tool of FIG. 1.  
FIG. 4 is a right-side elevational view of the strapping tool of FIG. 1.  
FIG. 5 is a left-side elevational view of the strapping tool of FIG. 1.  
FIG. 6 is a top plan view of the strapping tool of FIG. 1; and, FIG. 7 is a bottom plan view of the strapping tool of FIG. 1.  
The broken lines illustrate portions of the strapping tool that form no part of the claimed design.

(56) **References Cited**

U.S. PATENT DOCUMENTS

D338,214 S \* 8/1993 Crittenden ..... D15/145  
D349,294 S \* 8/1994 Nix ..... D15/145  
D365,006 S \* 12/1995 Cheung ..... D8/67  
7,562,620 B1 \* 7/2009 Nasiatka ..... B65B 13/188  
100/32  
D629,321 S \* 12/2010 Neeser ..... D10/102  
D651,498 S \* 1/2012 Neeser ..... D8/67  
D653,923 S \* 2/2012 Neeser ..... D8/67

**1 Claim, 7 Drawing Sheets**



(56)

References Cited

U.S. PATENT DOCUMENTS

D904,151 S \* 12/2020 Hochstrasser ..... D15/145  
 D917,997 S \* 5/2021 Hochstrasser ..... D15/145  
 D928,577 S \* 8/2021 Hochstrasser ..... D15/145  
 D953,832 S \* 6/2022 Hüsey ..... D8/69  
 2009/0013656 A1 \* 1/2009 Nasiatka ..... B65B 13/322  
 100/6  
 2011/0056389 A1 \* 3/2011 Neeser ..... B65B 13/322  
 100/29  
 2012/0210682 A1 \* 8/2012 Gardner ..... B65B 13/187  
 53/375.9  
 2014/0007781 A1 \* 1/2014 Sikora ..... B65B 13/22  
 100/29  
 2016/0016682 A1 \* 1/2016 Boss ..... B65B 57/18  
 100/29  
 2016/0107775 A1 \* 4/2016 Amacker ..... B65B 13/327  
 100/29  
 2017/0166335 A1 \* 6/2017 Nasiatka ..... B65B 13/305  
 2018/0127124 A1 \* 5/2018 Sikora ..... B65B 57/00  
 2019/0185189 A1 \* 6/2019 Neeser ..... B65B 65/02  
 2019/0256233 A1 \* 8/2019 Sikora ..... B65B 13/184  
 2020/0354094 A1 \* 11/2020 Keller ..... B65B 13/345  
 2020/0361644 A1 \* 11/2020 Hochstrasser ..... B65B 13/025

FOREIGN PATENT DOCUMENTS

CN 304853433 S 10/2018  
 CN 305440868 S 11/2019  
 CN 305828794 S 6/2020

OTHER PUBLICATIONS

“Signode Grip Pack and Grip Pack Cutter Brochure”, Retrieved from [https://www.signodestrapping.com/pdf/GripPack\\_Cutter%20SPD%201819.pdf](https://www.signodestrapping.com/pdf/GripPack_Cutter%20SPD%201819.pdf), 2015 (1 page).  
 “Signode Grip Pack and Grippack Double Notch Sealer Brochure”, Retrieved from [https://www.signodestrapping.com/pdf/grippack-114\\_spd\\_1710\\_web.pdf](https://www.signodestrapping.com/pdf/grippack-114_spd_1710_web.pdf), 2015 (1 page).  
 “Signode Grip Pack BP and Battery Powered Tensioner for Street Strap Brochure”, Retrieved from [http://www.signodestrapping.com/pdf/GripPack%20Tensioner%20SPD%201852\\_10-16-18\)English\\_A4%20.pdf](http://www.signodestrapping.com/pdf/GripPack%20Tensioner%20SPD%201852_10-16-18)English_A4%20.pdf), 2018 (2 pages).  
 “Signode Grip Pack RCBS/RCBD Brochure”, Retrieved from <https://topsealpackaging.com/pdf/GripPack-Sealer-RCBS.pdf>, 2018 (2 pages).  
 “Signode Grip Pack SLB Brochure”, Retrieved from <https://www.signode/no/media/2237/grippack-slb-engelsk.pdf>, 2018 (2 pages).

\* cited by examiner



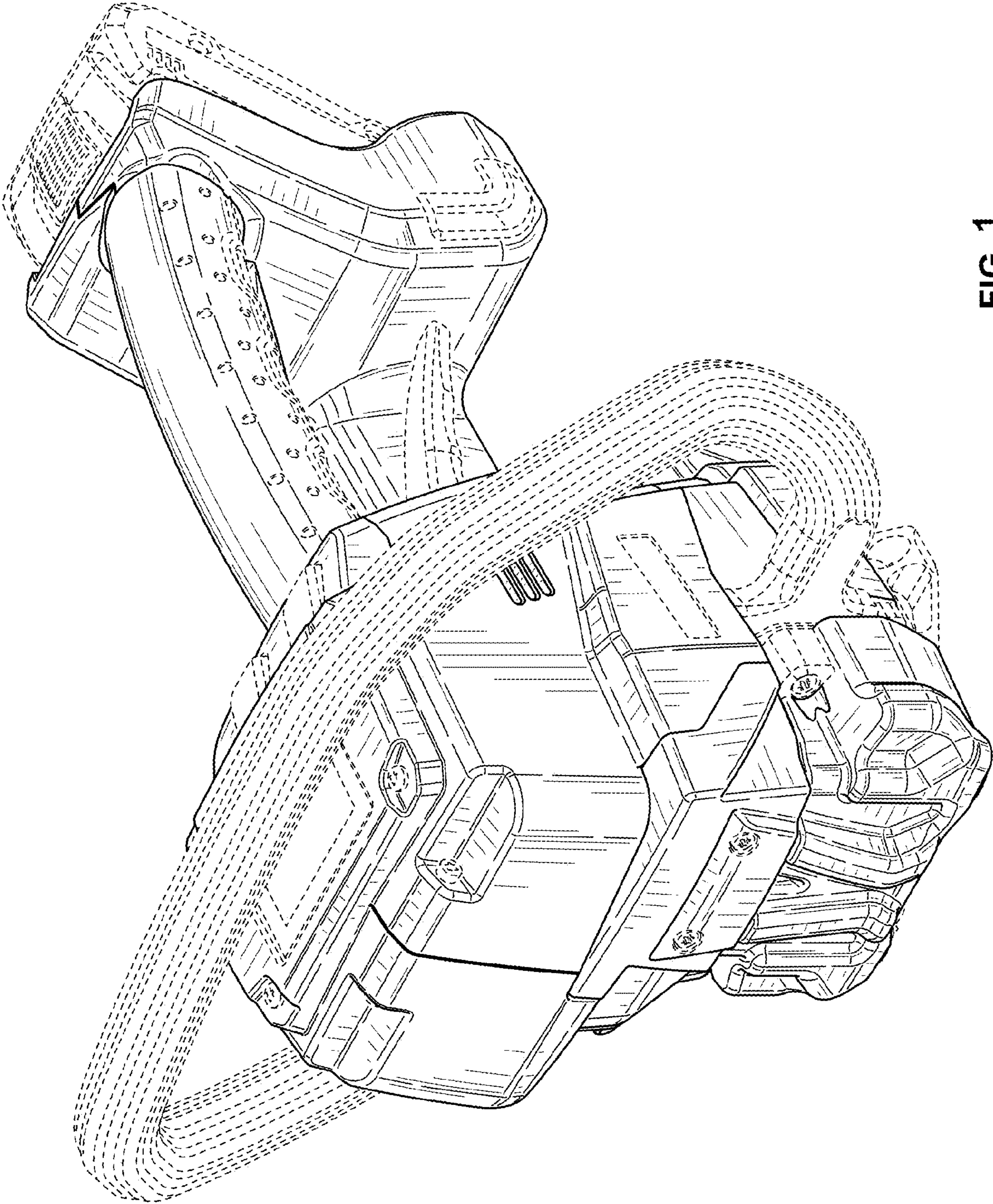


FIG. 1

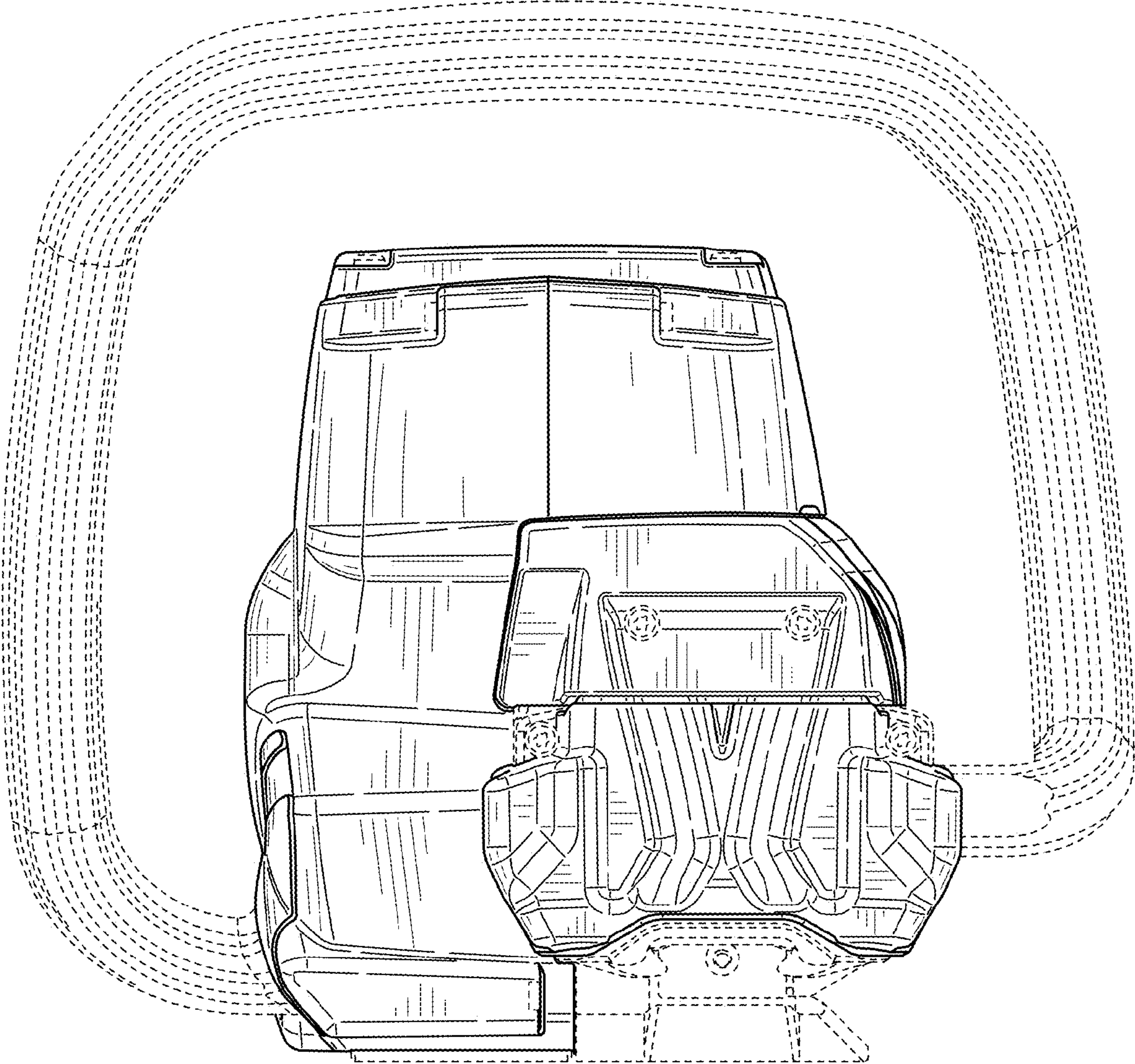


FIG. 2



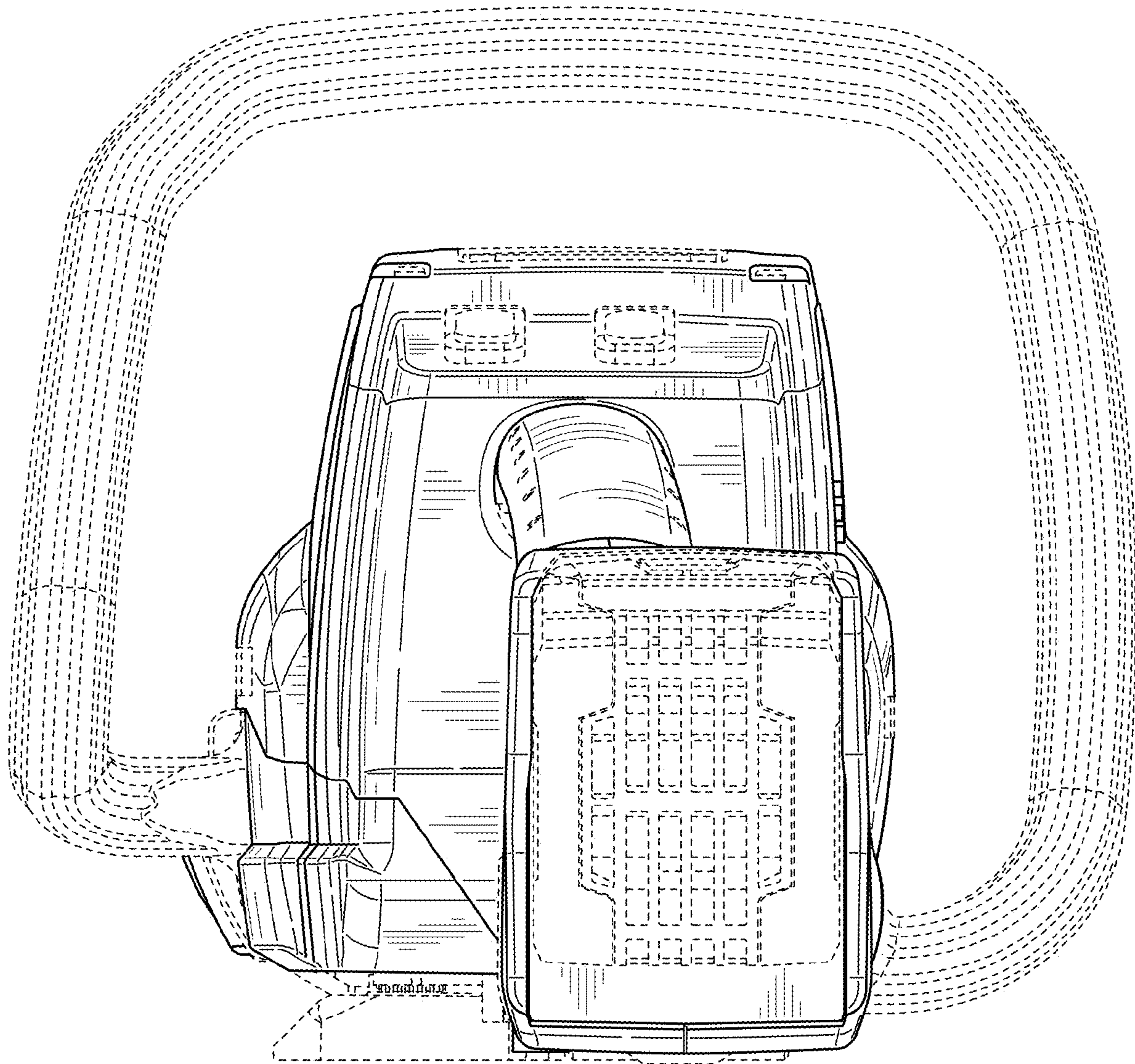


FIG. 3

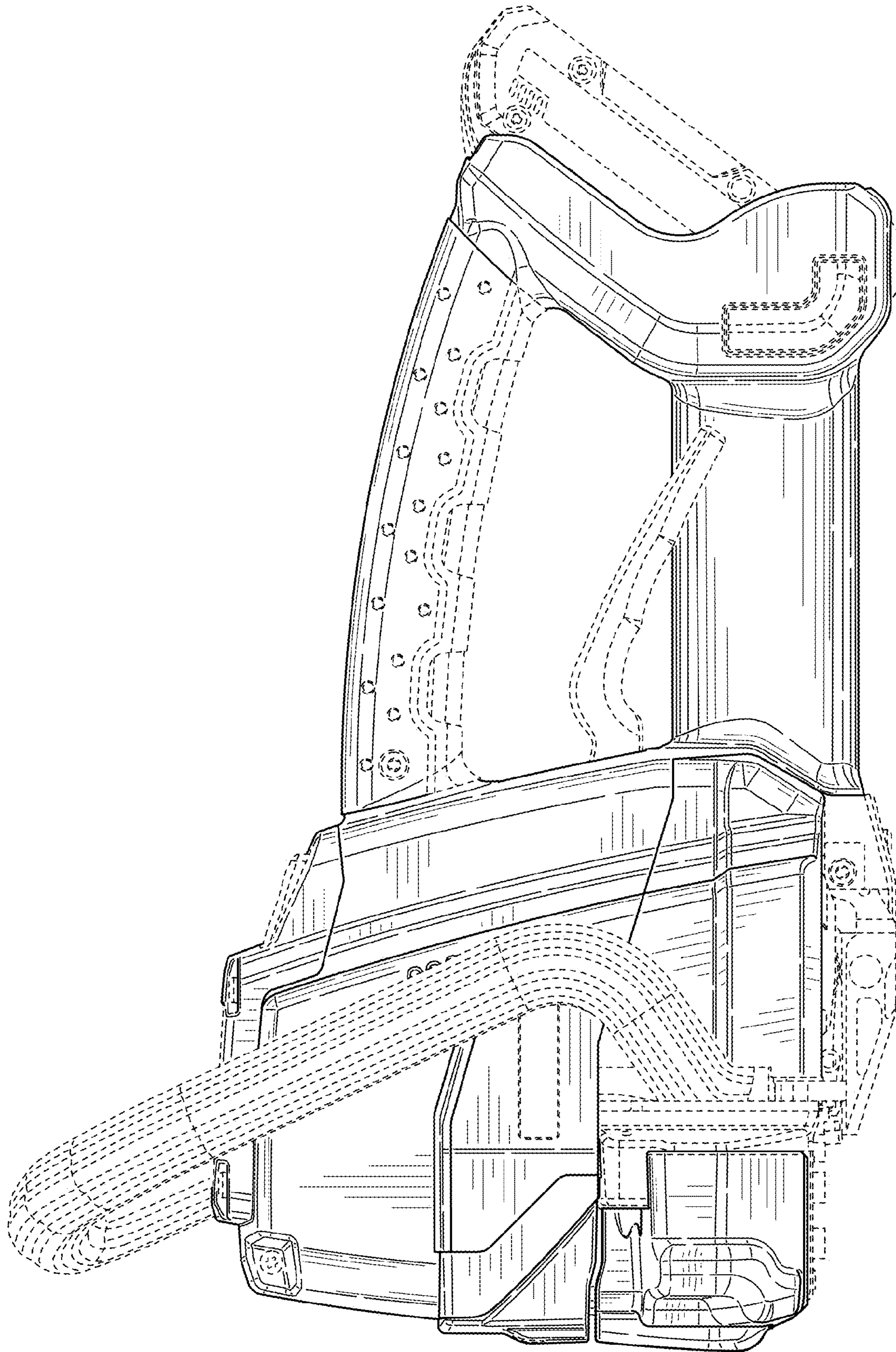


FIG. 4



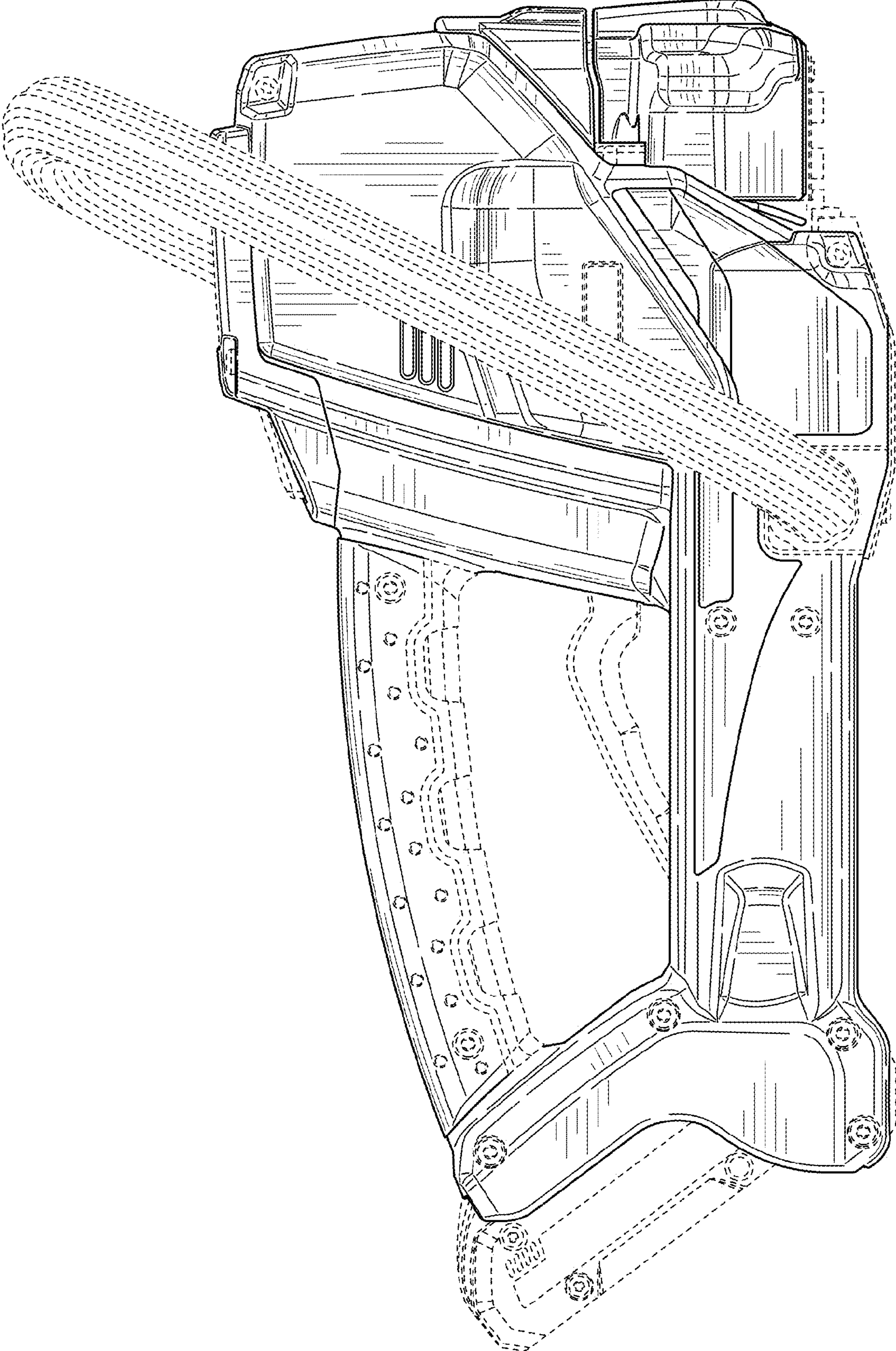


FIG. 5

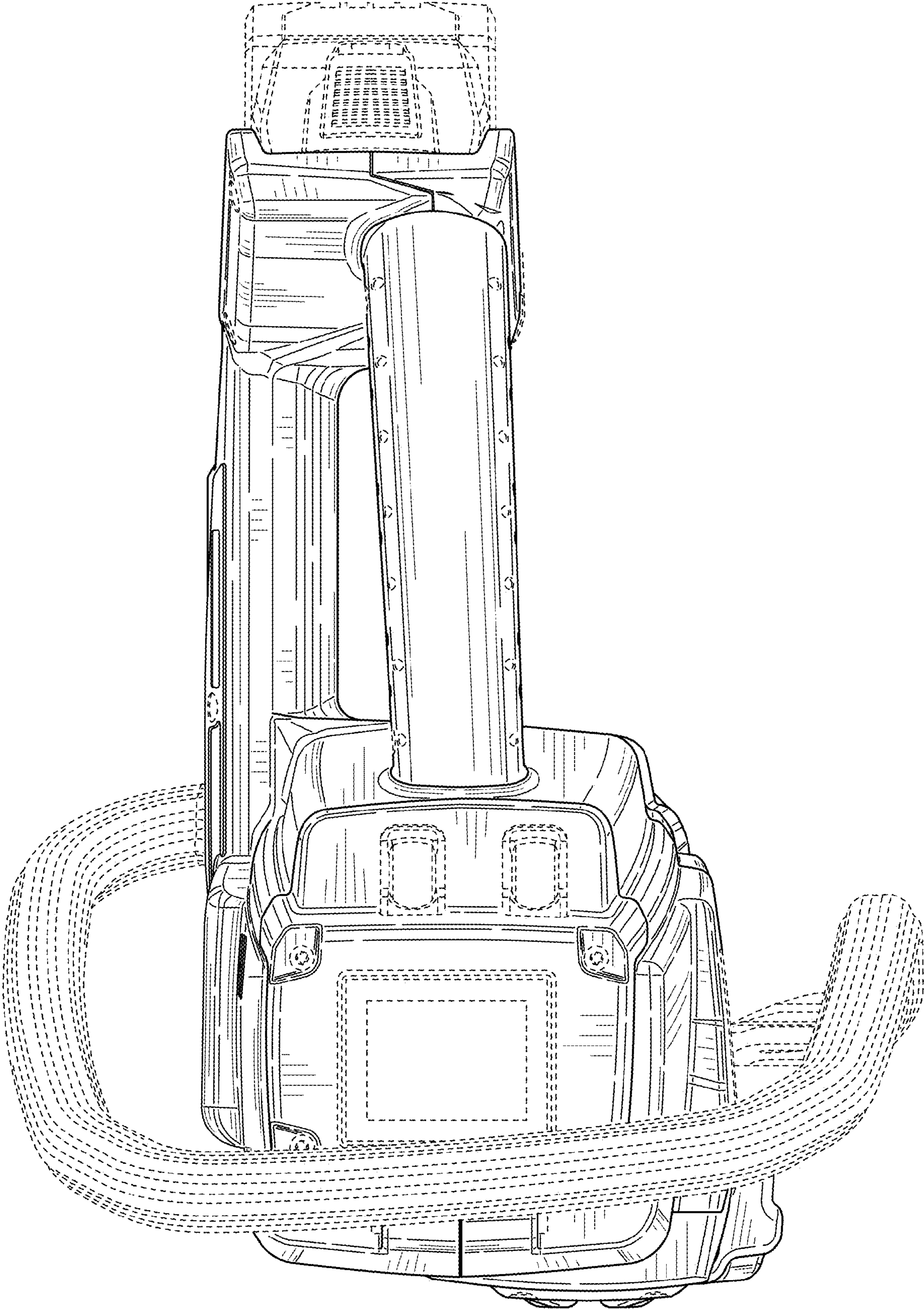


FIG. 6



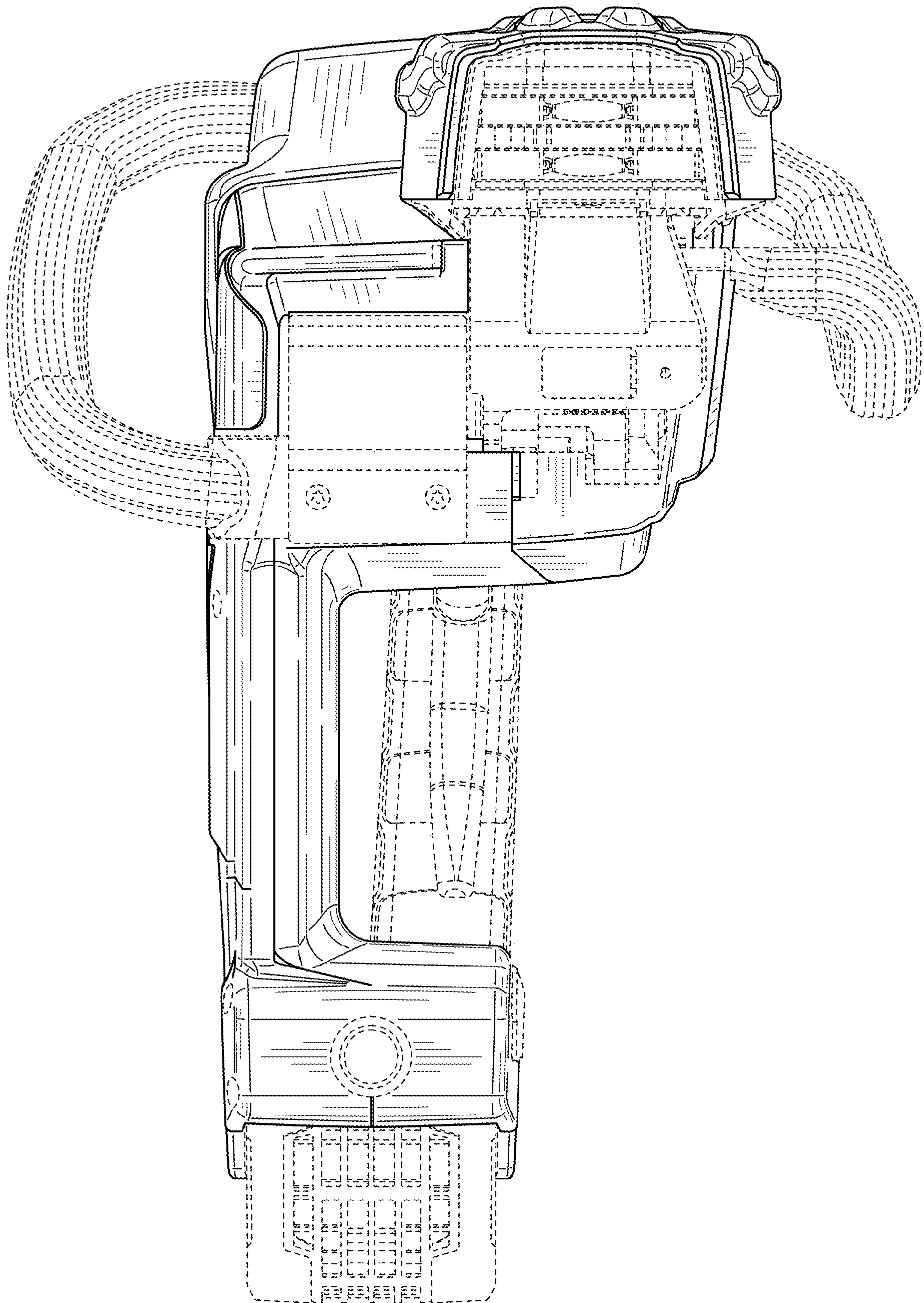


FIG. 7