



US00D981453S

(12) **United States Design Patent**  
**Misawa et al.**

(10) **Patent No.:** **US D981,453 S**  
(45) **Date of Patent:** **\*\* Mar. 21, 2023**

- (54) **BODY OF AN ELECTRIC GRASS MOWER**
- (71) Applicant: **MAKITA CORPORATION**, Anjo (JP)
- (72) Inventors: **Taiki Misawa**, Anjo (JP); **Masatoshi Shinoda**, Anjo (JP)
- (73) Assignee: **MAKITA CORPORATION**, Anjo (JP)
- (\*\*) Term: **15 Years**
- (21) Appl. No.: **29/761,127**
- (22) Filed: **Dec. 7, 2020**

*Primary Examiner* — Calvin E Vansant  
*Assistant Examiner* — Eidiol Ghigliotty Torres  
 (74) *Attorney, Agent, or Firm* — Global IP Counselors, LLP

(30) **Foreign Application Priority Data**

Jun. 9, 2020 (JP) ..... 2020-011338 D

- (51) **LOC (14) Cl.** ..... **15-03**
- (52) **U.S. Cl.**  
USPC ..... **D15/14; D8/8**
- (58) **Field of Classification Search**  
USPC ..... D8/7-9; D15/1, 14, 17, 18, 33  
CPC .... A01D 34/001; A01D 34/10; A01D 34/412;  
A01D 34/416; A01D 34/4161; A01D  
69/002; B25F 5/026  
See application file for complete search history.

(56) **References Cited**

**U.S. PATENT DOCUMENTS**

- D274,620 S \* 7/1984 Murakami ..... A01D 34/90  
D15/1
- D356,014 S \* 3/1995 Griffin ..... D8/8
- D521,026 S \* 5/2006 Ono ..... D8/8
- D525,990 S \* 8/2006 Ono ..... D15/1
- D653,509 S \* 2/2012 Tinius ..... D8/8
- D656,370 S \* 3/2012 Tinius ..... D8/8
- D668,516 S \* 10/2012 Landberg ..... D8/8

(Continued)

**FOREIGN PATENT DOCUMENTS**

- JP 1642833 S 10/2019
- JP 1643087 S 10/2019

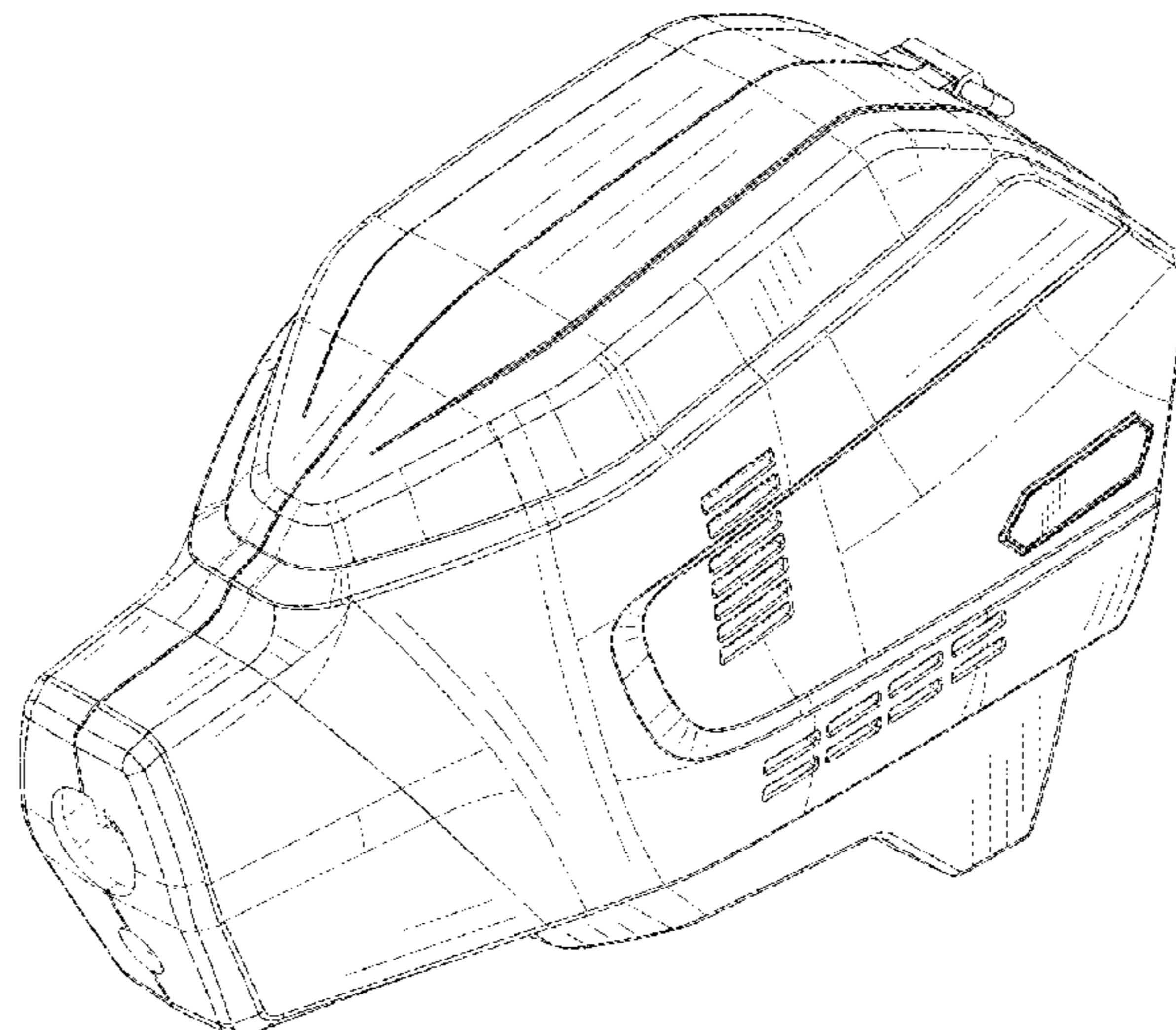
(57) **CLAIM**

The ornamental design for a body of an electric grass mower, as shown and described.

**DESCRIPTION**

FIG. 1 is a front perspective view of a body of an electric grass mower in accordance with our new design;  
 FIG. 2 is a rear perspective view of the body of an electric grass mower in accordance with our new design;  
 FIG. 3 is a front elevational view of the body of an electric grass mower in accordance with our new design;  
 FIG. 4 is a rear elevational view of the body of an electric grass mower in accordance with our new design;  
 FIG. 5 is a top plan view of the body of an electric grass mower in accordance with our new design;  
 FIG. 6 is a bottom plan view of the body of an electric grass mower in accordance with our new design;  
 FIG. 7 is a right side elevational view of the body of an electric grass mower in accordance with our new design;  
 FIG. 8 is a left side elevational view of the body of an electric grass mower in accordance with our new design;  
 and,  
 FIG. 9 is a front perspective view of the body of an electric grass mower in a state of use.  
 The broken line showings of the unclaimed portion of the electric grass mower, the attachment and the battery in FIG. 9 are provided for the purpose of illustrating environmental structures; whereas the broken line showing in FIGS. 1-8 illustrate portions of the body of an electric grass mower. These broken line subject matters do not form part of the claimed design.

**1 Claim, 9 Drawing Sheets**



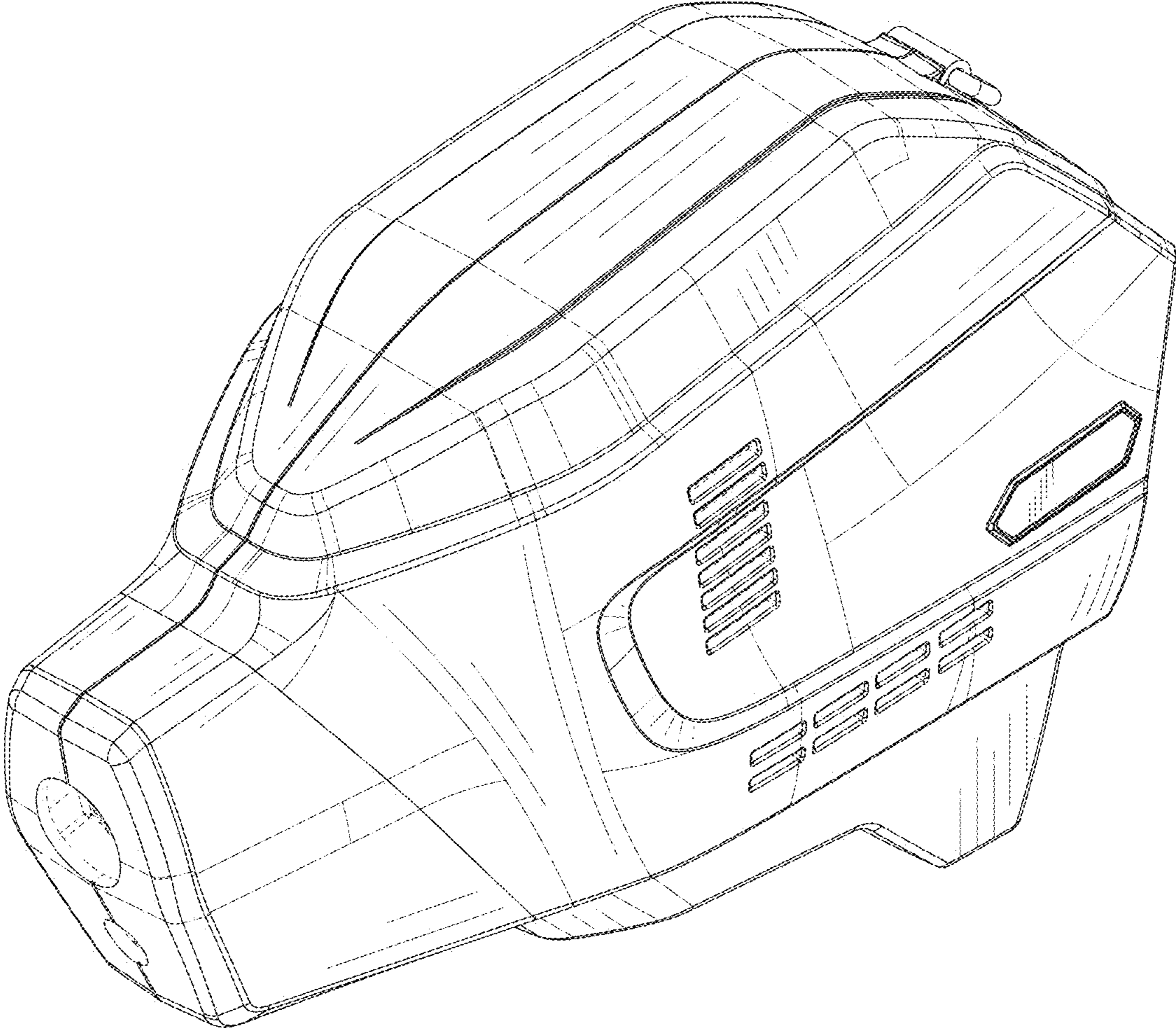
(56)

**References Cited**

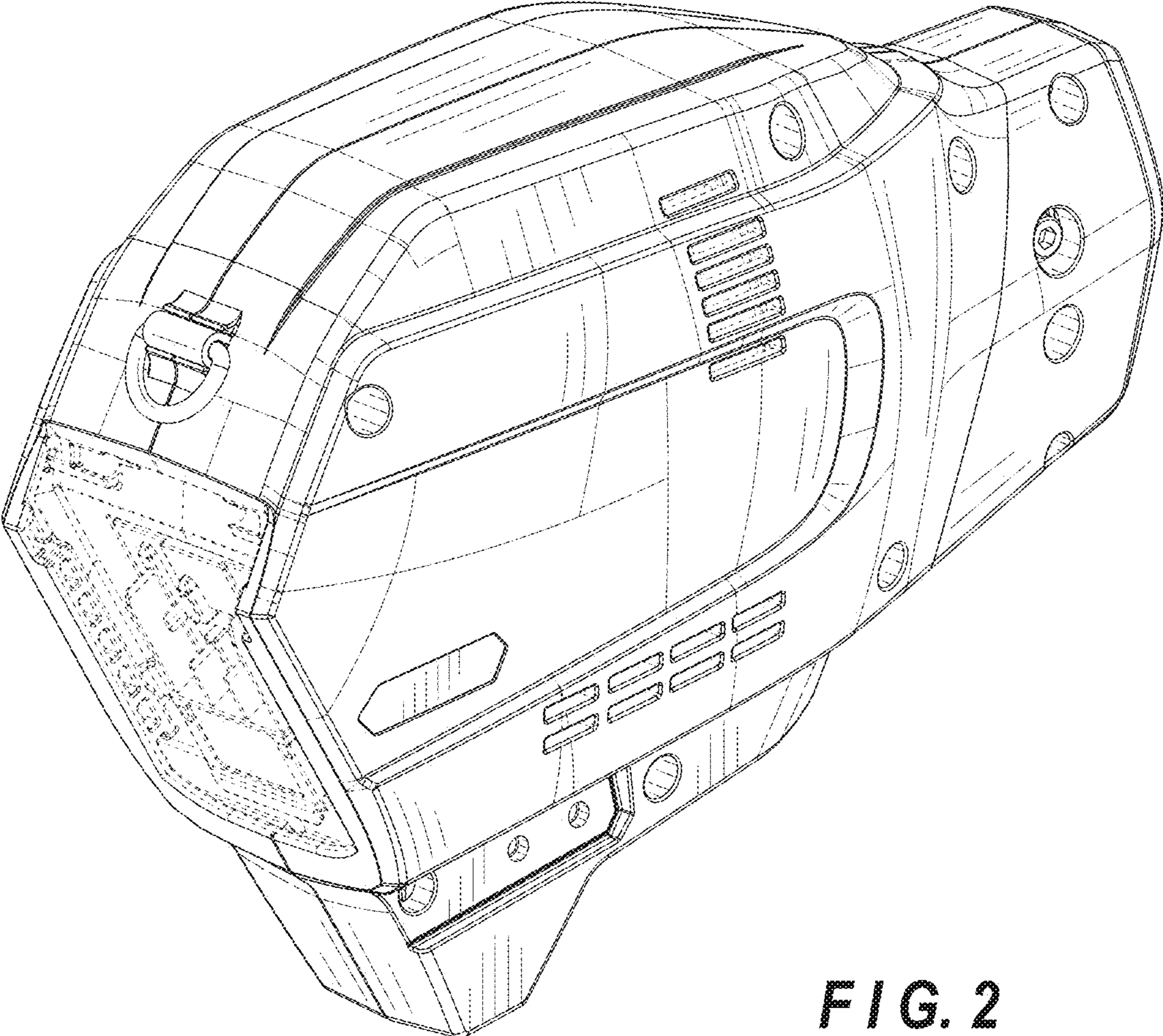
U.S. PATENT DOCUMENTS

|              |      |         |          |       |            |
|--------------|------|---------|----------|-------|------------|
| D712,217     | S *  | 9/2014  | Kawase   | ..... | D8/8       |
| D731,267     | S *  | 6/2015  | Shen     | ..... | D8/8       |
| D753,969     | S *  | 4/2016  | Jiang    | ..... | D8/8       |
| D799,286     | S *  | 10/2017 | Tinius   | ..... | D8/1       |
| D813,808     | S *  | 3/2018  | Tinius   | ..... | D13/110    |
| D828,125     | S *  | 9/2018  | Dretzka  | ..... | D8/316     |
| D832,669     | S *  | 11/2018 | Dretzka  | ..... | D8/8       |
| D897,169     | S *  | 9/2020  | Tinius   | ..... | D8/8       |
| D960,670     | S *  | 8/2022  | Dretzka  | ..... | D8/8       |
| 2014/0165525 | A1 * | 6/2014  | Nagata   | ..... | A01D 34/90 |
|              |      |         |          |       | 56/11.2    |
| 2018/0220583 | A1 * | 8/2018  | Günther  | ..... | A01D 34/73 |
| 2022/0007573 | A1 * | 1/2022  | Kloepfer | ..... | A01D 34/82 |

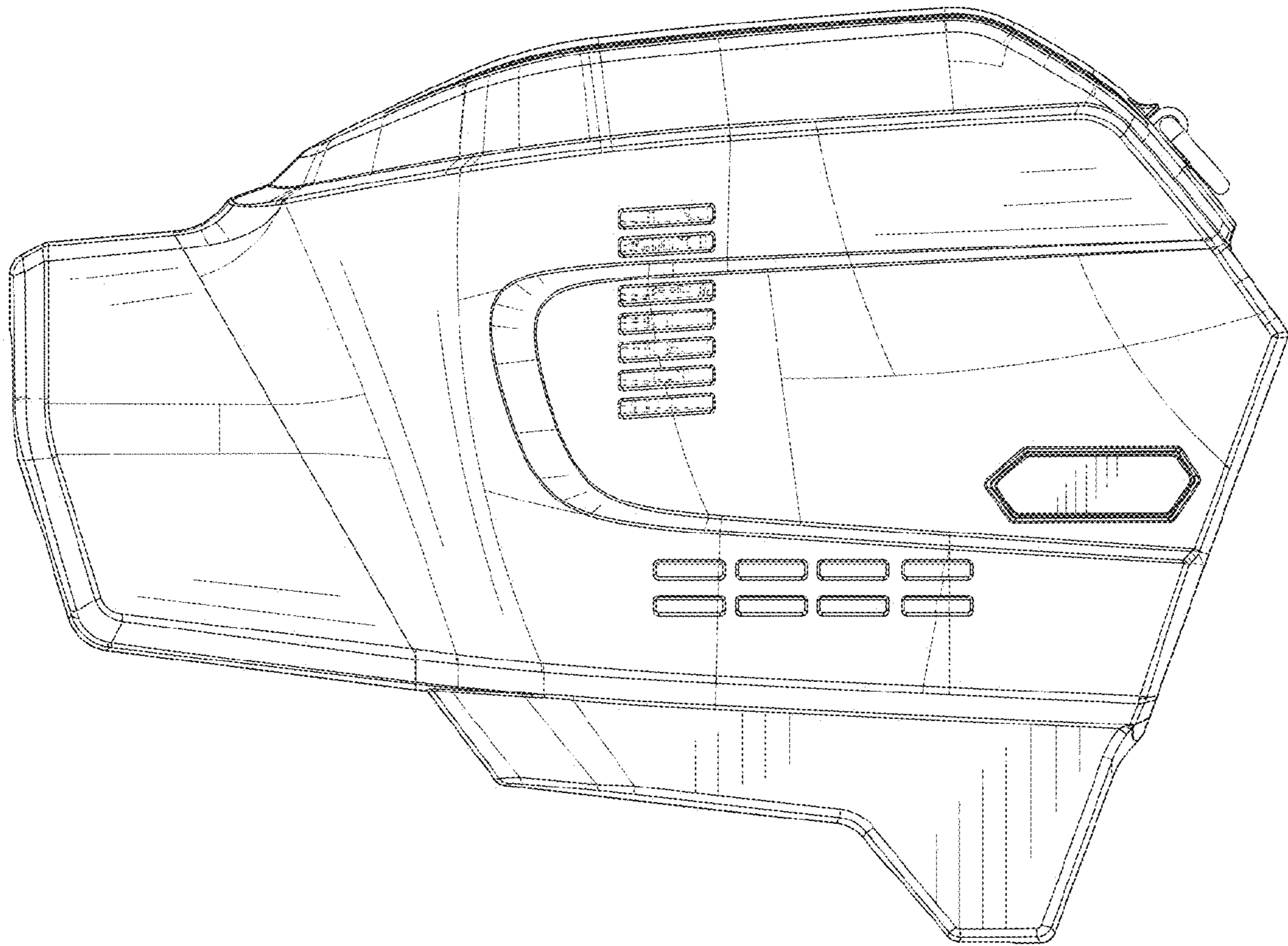
\* cited by examiner



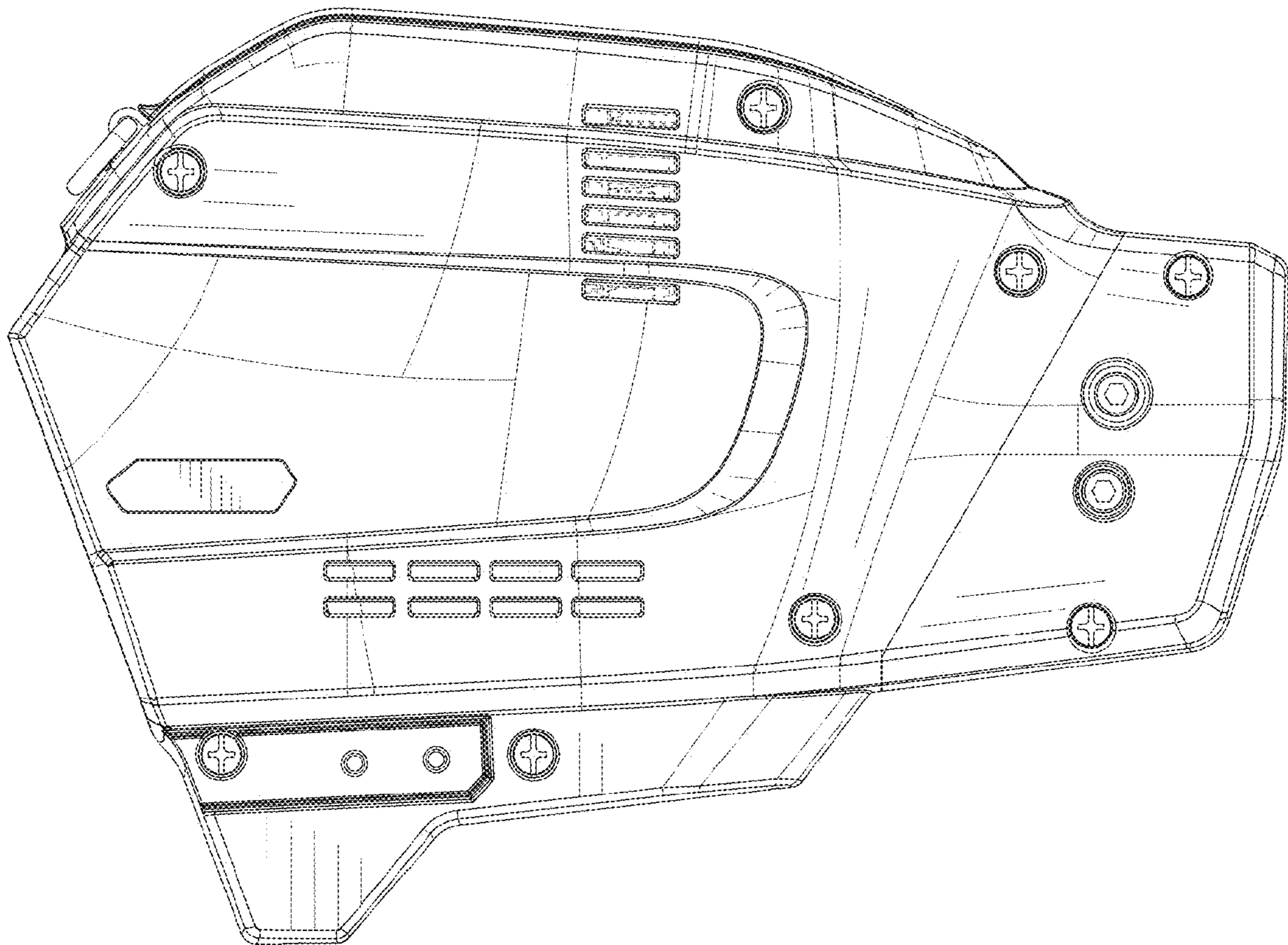
**FIG. 1**



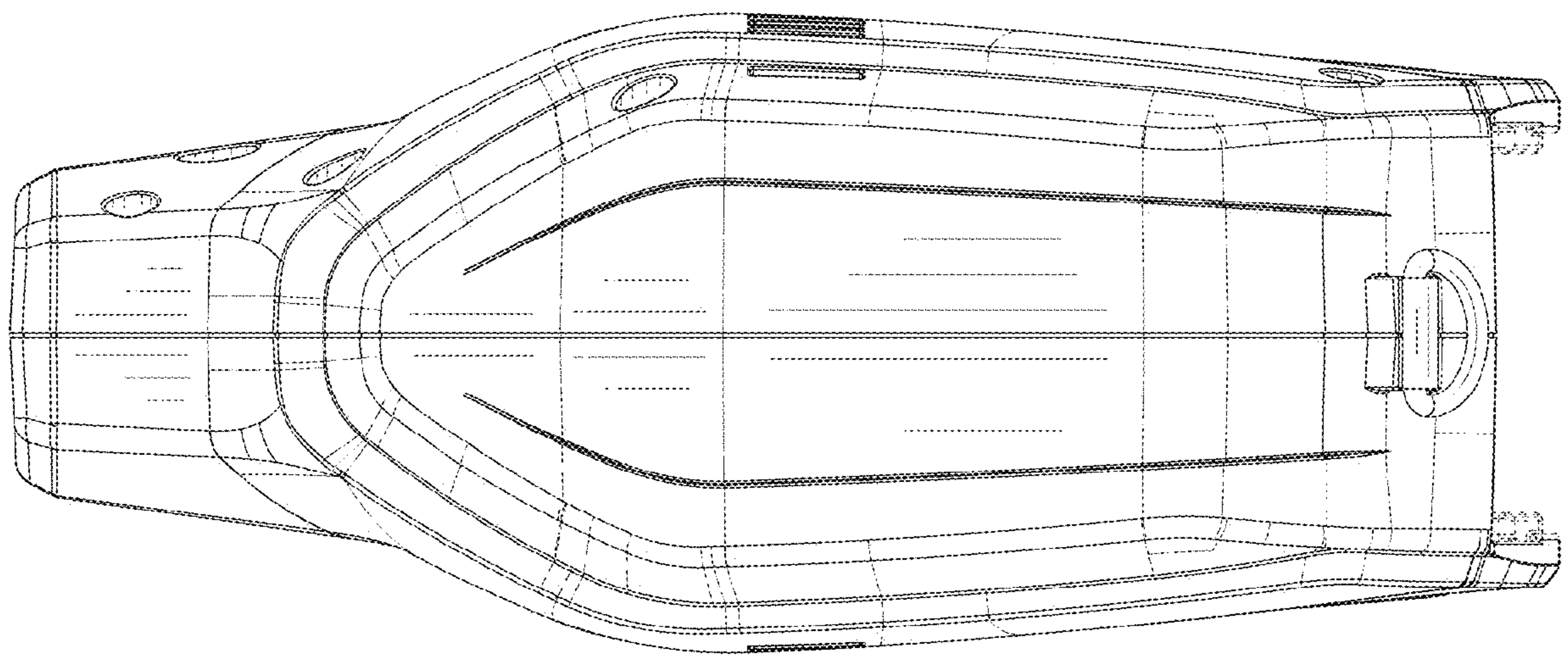
**FIG. 2**



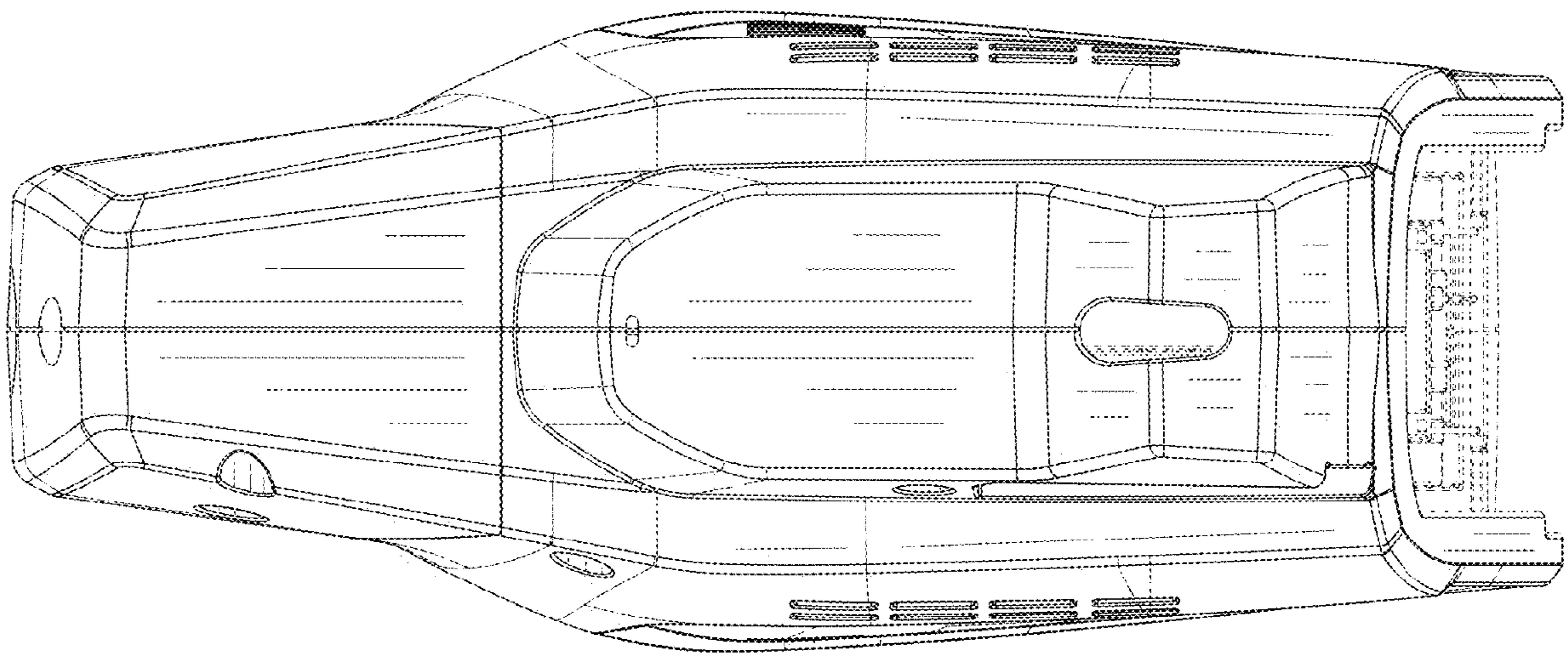
**FIG. 3**



**FIG. 4**

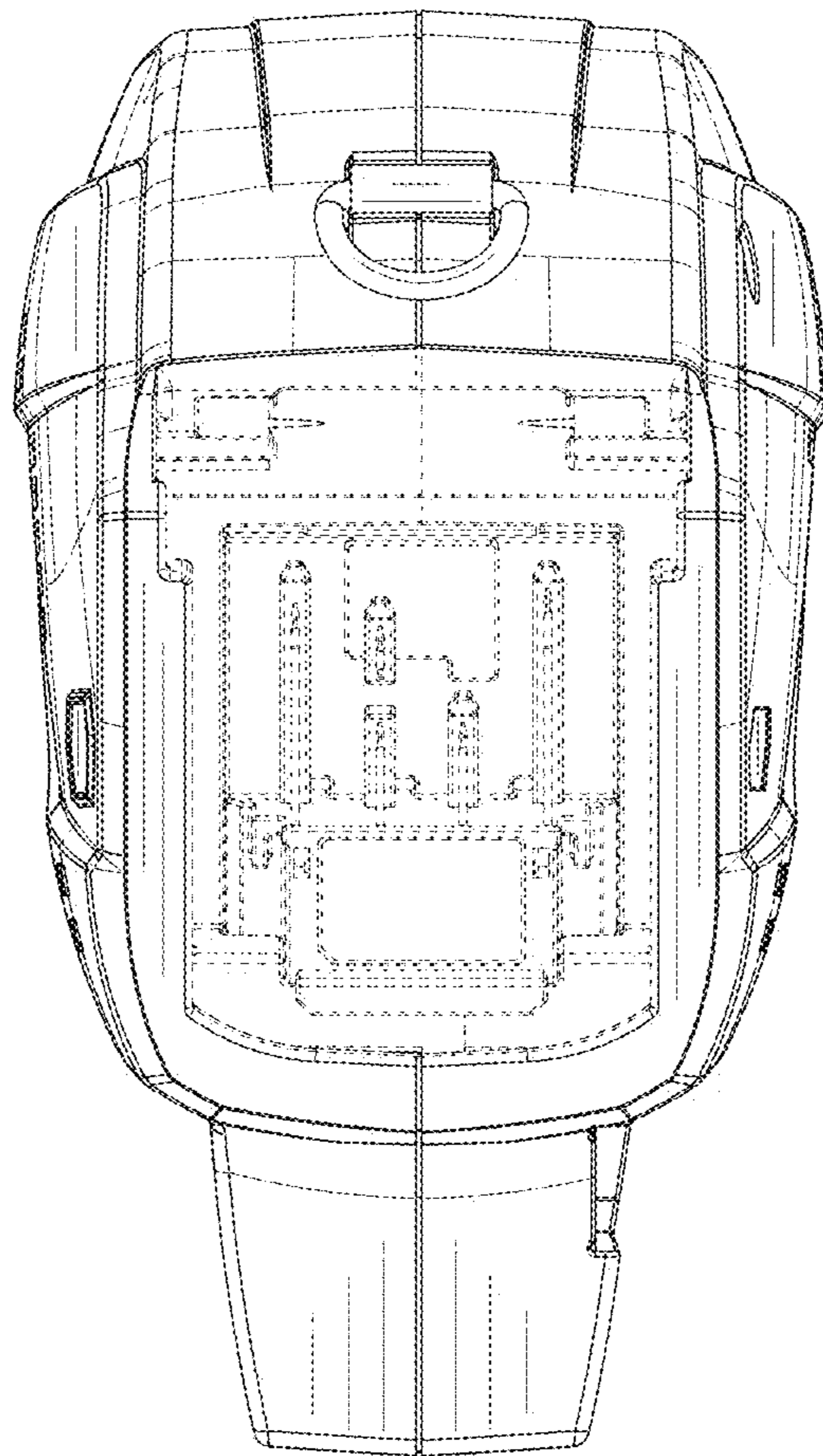


**FIG. 5**

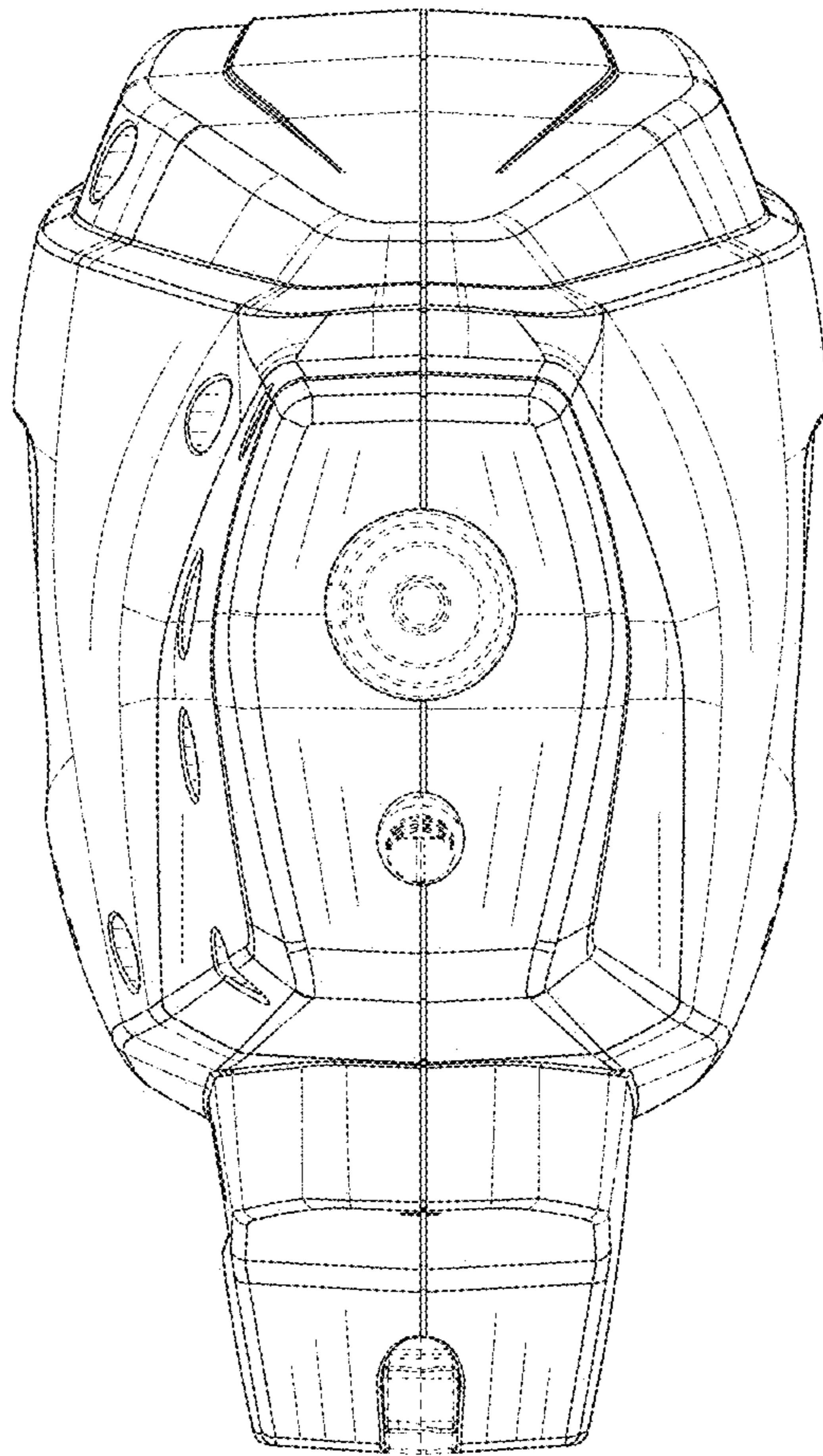


**FIG. 6**





**FIG. 7**



**FIG. 8**

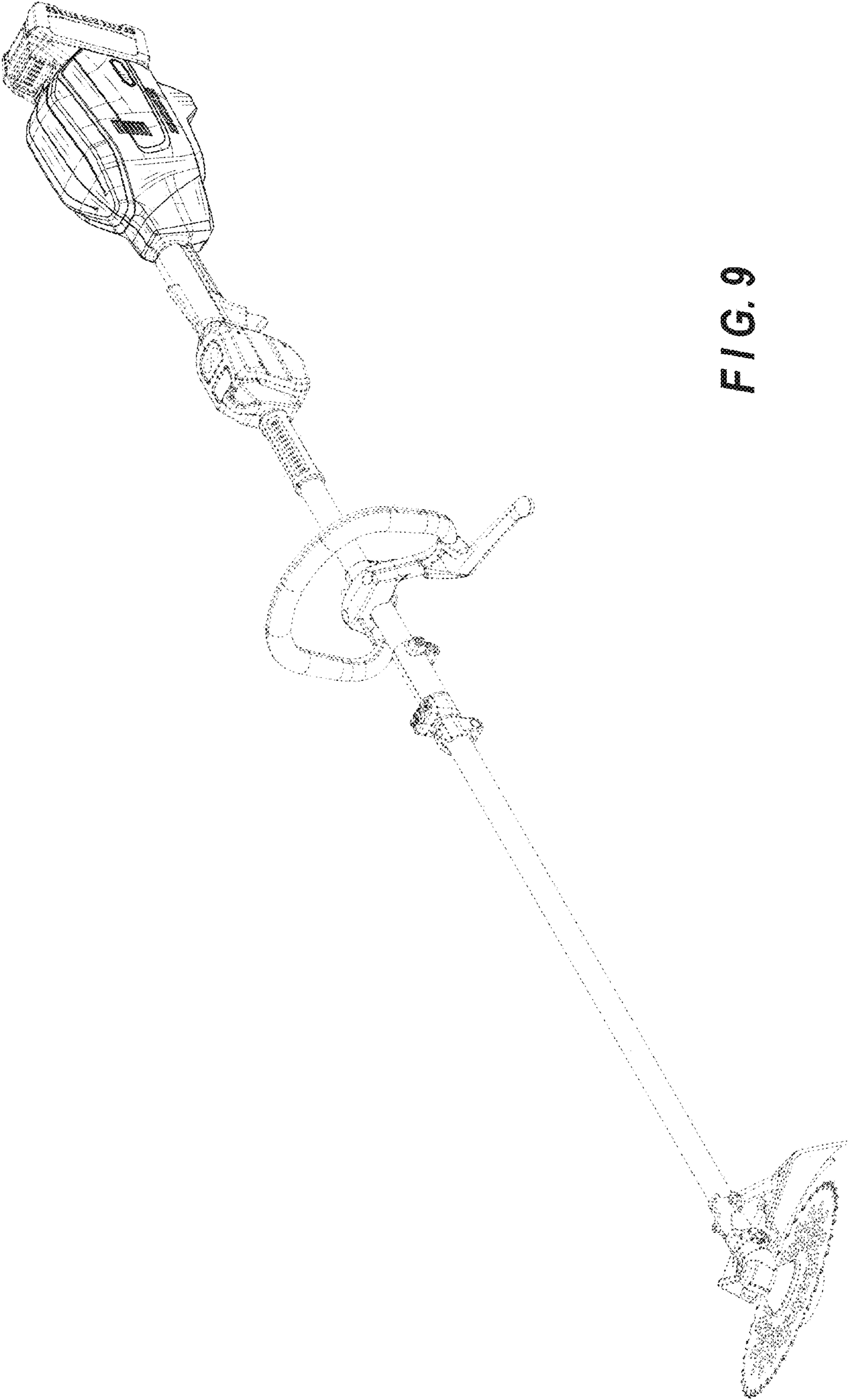


FIG. 9