



US00D981426S

(12) **United States Design Patent**
Ji et al.

(10) **Patent No.:** **US D981,426 S**
(45) **Date of Patent:** **** Mar. 21, 2023**

(54) **DISPLAY SCREEN WITH GRAPHICAL USER INTERFACE**

(71) Applicant: **GUANGDONG OPPO MOBILE TELECOMMUNICATIONS CORP., LTD.**, Guangdong (CN)

(72) Inventors: **Jie Ji**, Guangdong (CN); **Minghua Zhang**, Guangdong (CN); **You Li**, Guangdong (CN); **Ning Zuo**, Guangdong (CN); **Xiaoli Zhang**, Guangdong (CN); **Biying Chen**, Guangdong (CN)

(73) Assignee: **GUANGDONG OPPO MOBILE TELECOMMUNICATIONS CORP., LTD.**, Dongguan (CN)

(**) Term: **15 Years**

(21) Appl. No.: **29/782,637**

(22) Filed: **May 7, 2021**

(30) **Foreign Application Priority Data**

Nov. 10, 2020 (CN) 202030678948.9

(51) **LOC (14) Cl.** **14-04**

(52) **U.S. Cl.**
USPC **D14/485**

(58) **Field of Classification Search**
USPC D14/485-495; D20/11; D21/324, 325

(Continued)

(56) **References Cited**

U.S. PATENT DOCUMENTS

D635,987 S * 4/2011 Mays D14/487
D709,898 S * 7/2014 Sloo D14/485

(Continued)

Primary Examiner — John M Otte

(74) *Attorney, Agent, or Firm* — Young Basile Hanlon & MacFarlane, P.C.

(57) **CLAIM**

The ornamental design for a display screen with graphical user interface, as shown and described.

DESCRIPTION

FIG. 1 is a front view of a display screen with graphical user interface showing a first image of the claimed design in a first embodiment.

FIG. 2 is a second image of the first embodiment.

FIG. 3 is a front view of a display screen with a graphical user interface showing a first image of the claimed design in a second embodiment.

FIG. 4 is a second image of the second embodiment.

FIG. 5 is a front view of a display screen with a graphical user interface showing a first image of the claimed design in a third embodiment.

FIG. 6 is a second image of the third embodiment.

FIG. 7 is a front view of a display screen with a graphical user interface showing a first image of the claimed design in a fourth embodiment.

FIG. 8 is a second image of the fourth embodiment.

FIG. 9 is a front view of a display screen with a graphical user interface showing a first image of the claimed design in a fifth embodiment.

FIG. 10 is a second image of the fifth embodiment.

FIG. 11 is a front view of a display screen with a graphical user interface showing a first image of the claimed design in a sixth embodiment.

FIG. 12 is a second image of the sixth embodiment.

FIG. 13 is a front view of a display screen with a graphical user interface showing a first image of the claimed design in a seventh embodiment.

FIG. 14 is a second image of the seventh embodiment.

FIG. 15 is a front view of a display screen with a graphical user interface showing a first image of the claimed design in an eighth embodiment.

FIG. 16 is a second image of the eighth embodiment.

FIG. 17 is a front view of a display screen with graphical user interface showing a first image of the claimed design in a ninth embodiment.

FIG. 18 is a second image of the ninth embodiment.

FIG. 19 is a front view of a display screen with a graphical user interface showing a first image of the claimed design in a tenth embodiment.

FIG. 20 is a second image of the tenth embodiment.

FIG. 21 is a front view of a display screen with a graphical user interface showing a first image of the claimed design in an eleventh embodiment;

FIG. 22 is a second image of the eleventh embodiment.

FIG. 23 is a front view of a display screen with a graphical user interface showing a first image of the claimed design in a twelfth embodiment.

(Continued)

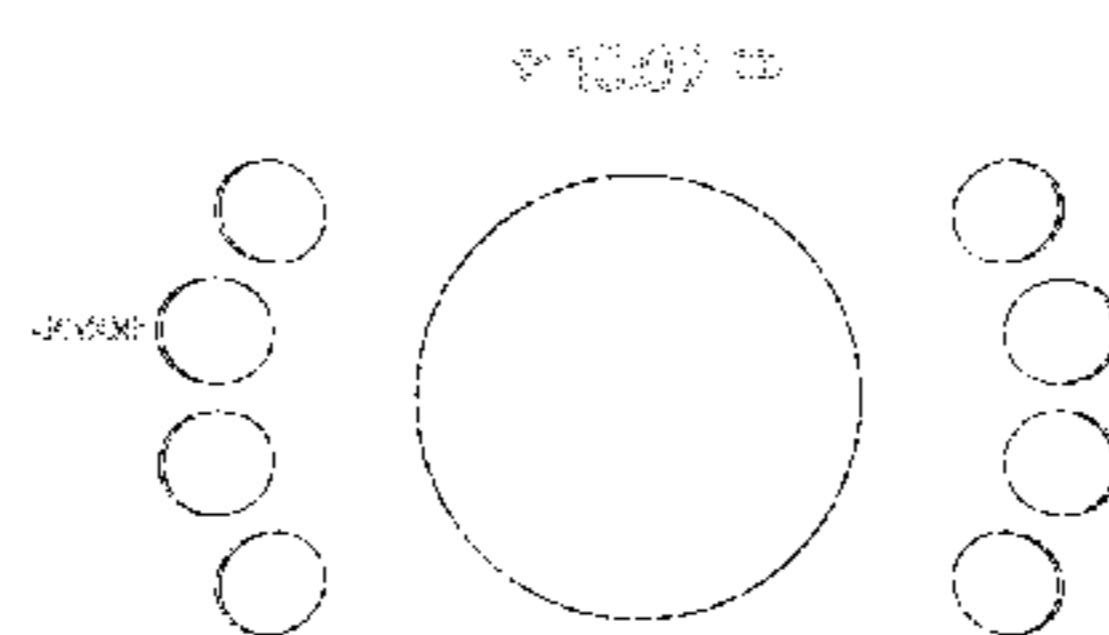
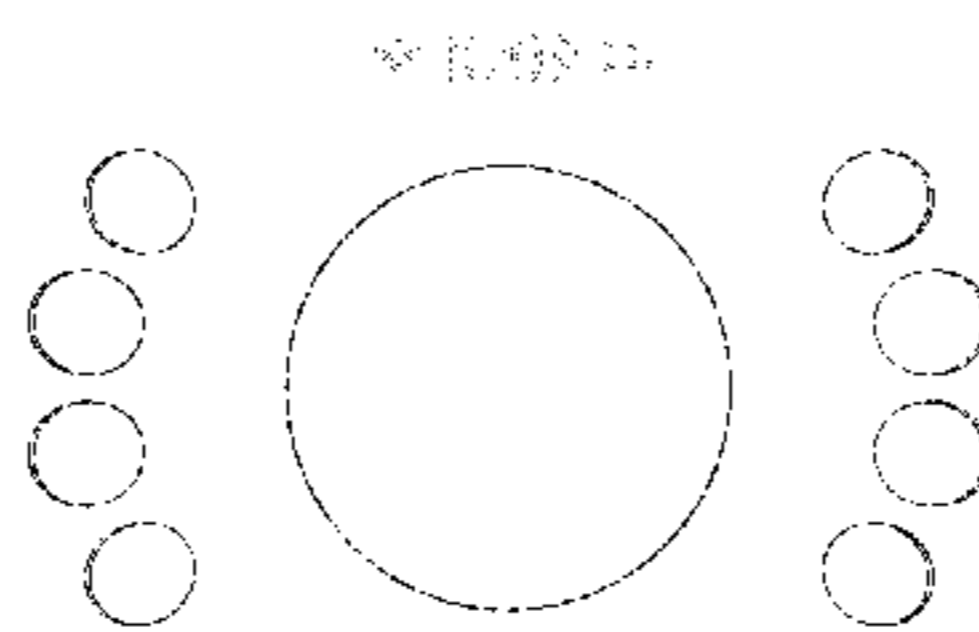


FIG. 24 is a second image of the twelfth embodiment.
 FIG. 25 is a front view of a display screen with a graphical user interface showing a first image of the claimed design in a thirteenth embodiment.
 FIG. 26 is a second image of the thirteenth embodiment.
 FIG. 27 is a front view of a display screen with a graphical user interface showing a first image of the claimed design in a fourteenth embodiment; and,
 FIG. 28 is a second image of the fourteenth embodiment.
 The first image in every embodiment shows the graphical user interface in an initial state.
 The second image in every embodiment shows the graphical user interface in a state after the initial state. The transition between the first image and the second image of each embodiment forms no part of the claimed design.
 The outer broken lines in the figures show a display screen or portion thereof, and the other broken lines in the figures show portions of the graphical user interface. The broken lines form no part of the claimed design.

1 Claim, 14 Drawing Sheets

(58) Field of Classification Search

CPC .. G06F 3/0416; G06F 3/0481; G06F 3/04817;
 G06F 3/0482; G06F 3/0483; G06F
 3/04842; G06F 3/0485; G06F 3/04855;
 G06F 3/0486; G06F 3/0488; G06F
 3/04886; G06F 9/451; G06F 40/103;

G06F 40/106; G06F 40/189; G06F
 40/191; H04L 41/20

See application file for complete search history.

(56)

References Cited

U.S. PATENT DOCUMENTS

D749,118	S	*	2/2016	Wang	D14/487
D761,301	S	*	7/2016	Kim	D14/488
D762,709	S	*	8/2016	Hsieh	D14/488
D775,148	S	*	12/2016	Anzures	D14/485
D781,903	S	*	3/2017	Reichle	D14/486
D795,885	S	*	8/2017	Pritchard	D14/485
D802,619	S	*	11/2017	Kim	D14/487
D841,035	S	*	2/2019	Kim	D14/486
D856,361	S	*	8/2019	Sella	D14/492
D886,854	S	*	6/2020	Pazmino	D14/488
D916,885	S	*	4/2021	Pazmino	D14/488
2002/0113816	A1	*	8/2002	Mitchell	H04L 41/20 715/734
2013/0086522	A1	*	4/2013	Shimazu	G06F 3/04817 715/810
2013/0097539	A1	*	4/2013	Mansson et al.	G06F 3/0485 715/765
2015/0067512	A1	*	3/2015	Roswell	H04L 12/1813 715/716
2016/0034127	A1	*	2/2016	Seo	G06F 3/0486 715/769
2016/0062541	A1	*	3/2016	Anzures	G06F 3/0416 345/173
2016/0253083	A1	*	9/2016	Lee	H04M 1/27475 715/771
2016/0259535	A1	*	9/2016	Fleizach	G06F 3/0485

* cited by examiner

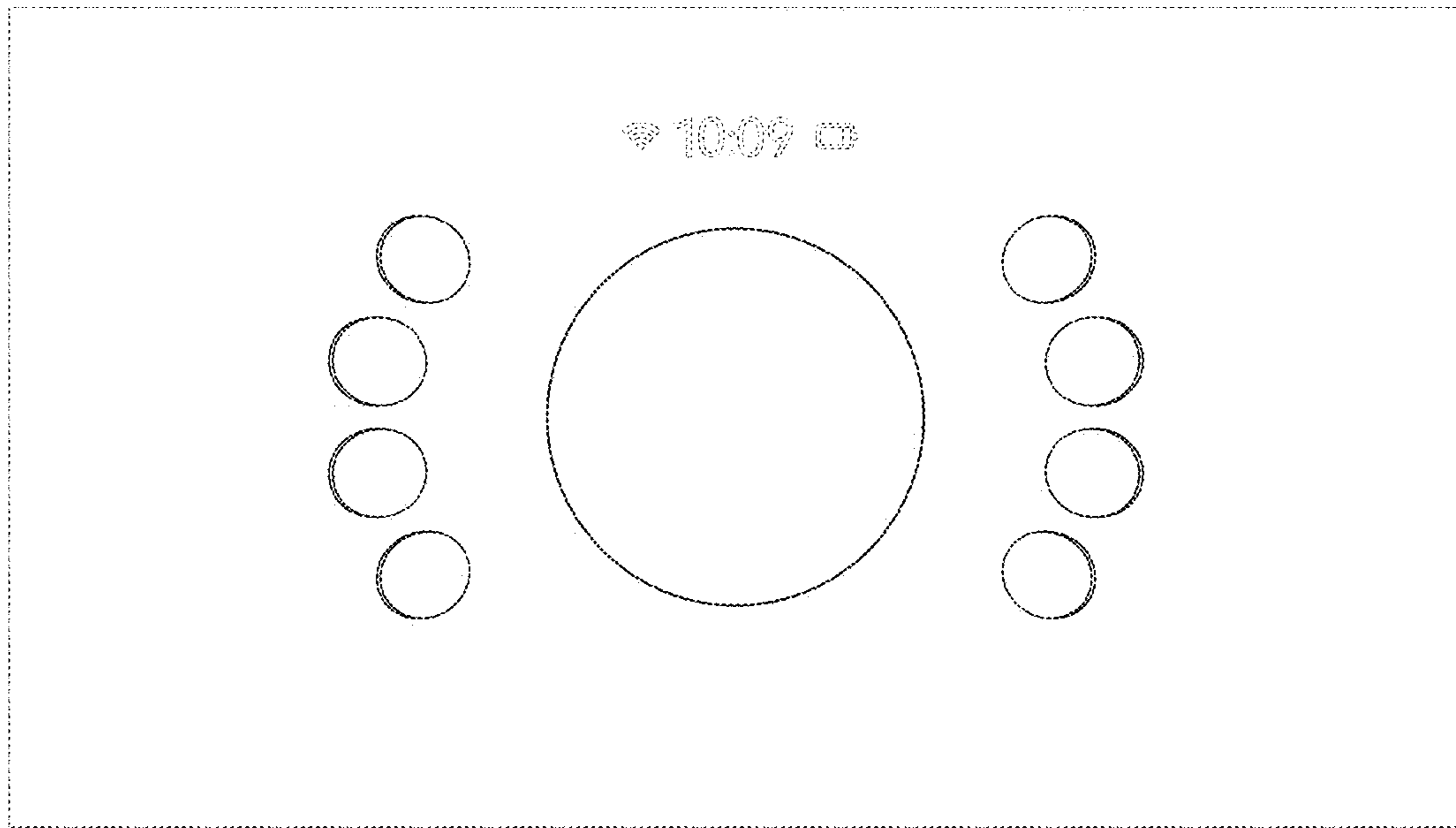


FIG. 1

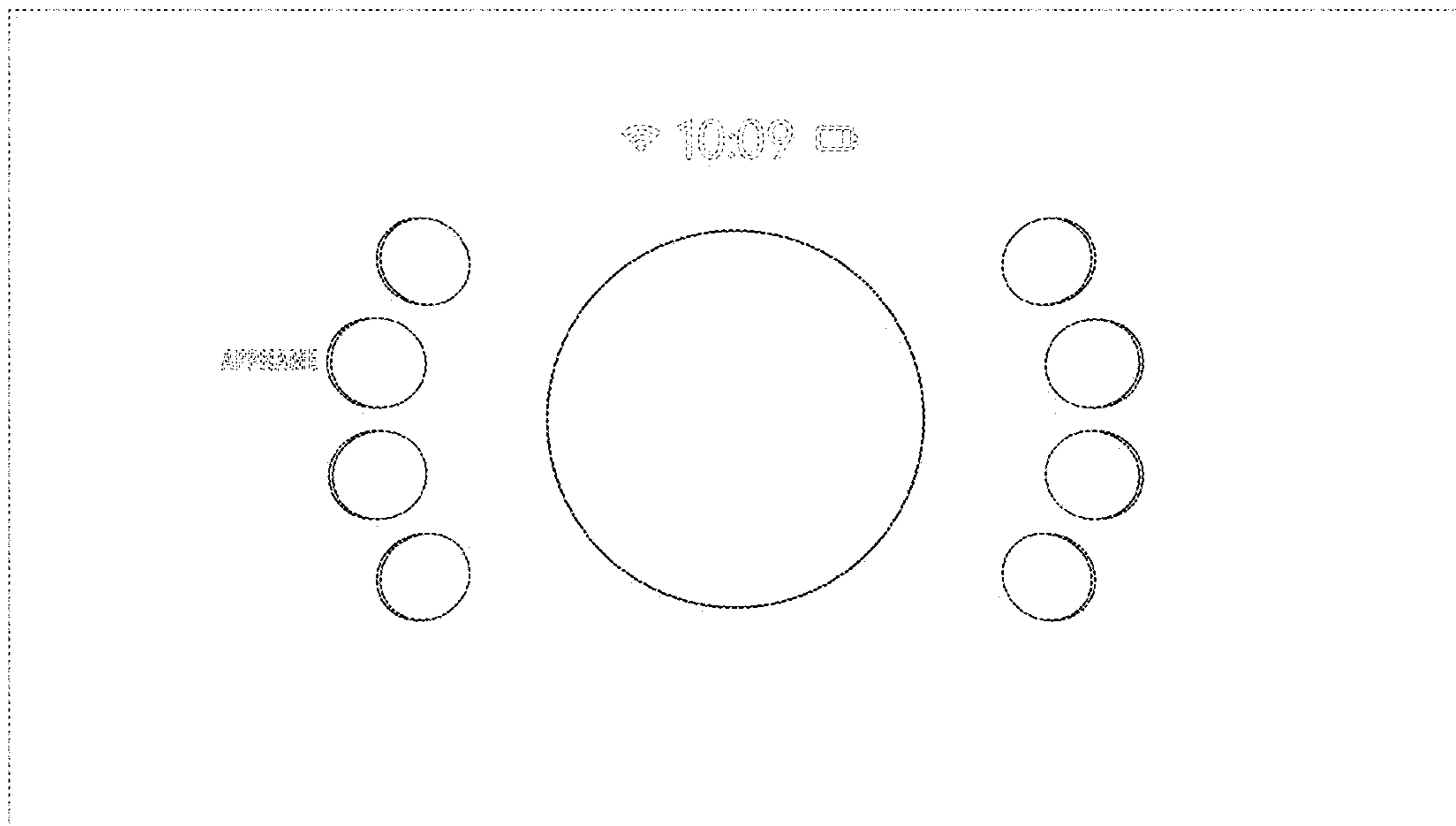


FIG. 2

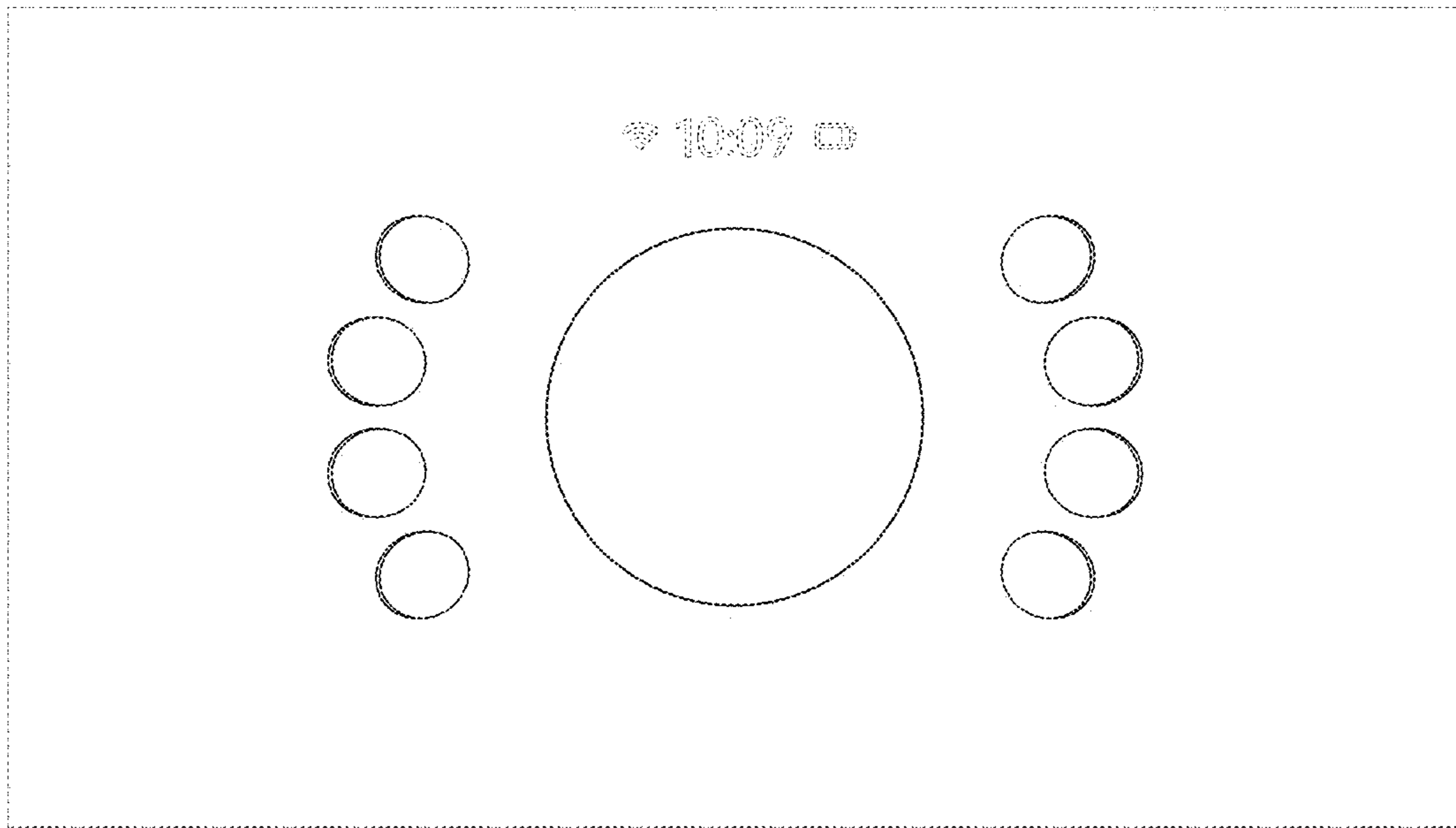


FIG. 3

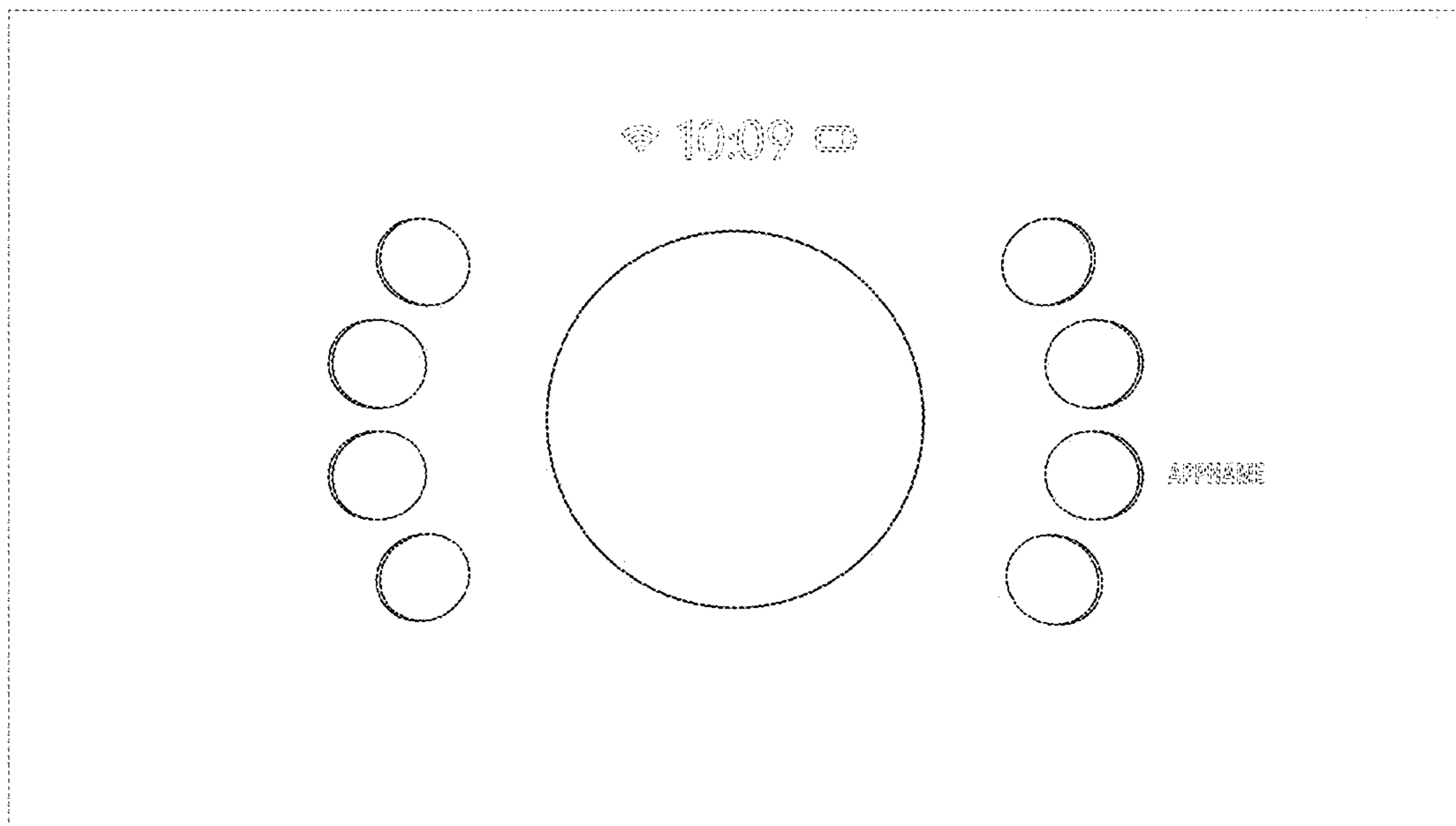


FIG. 4

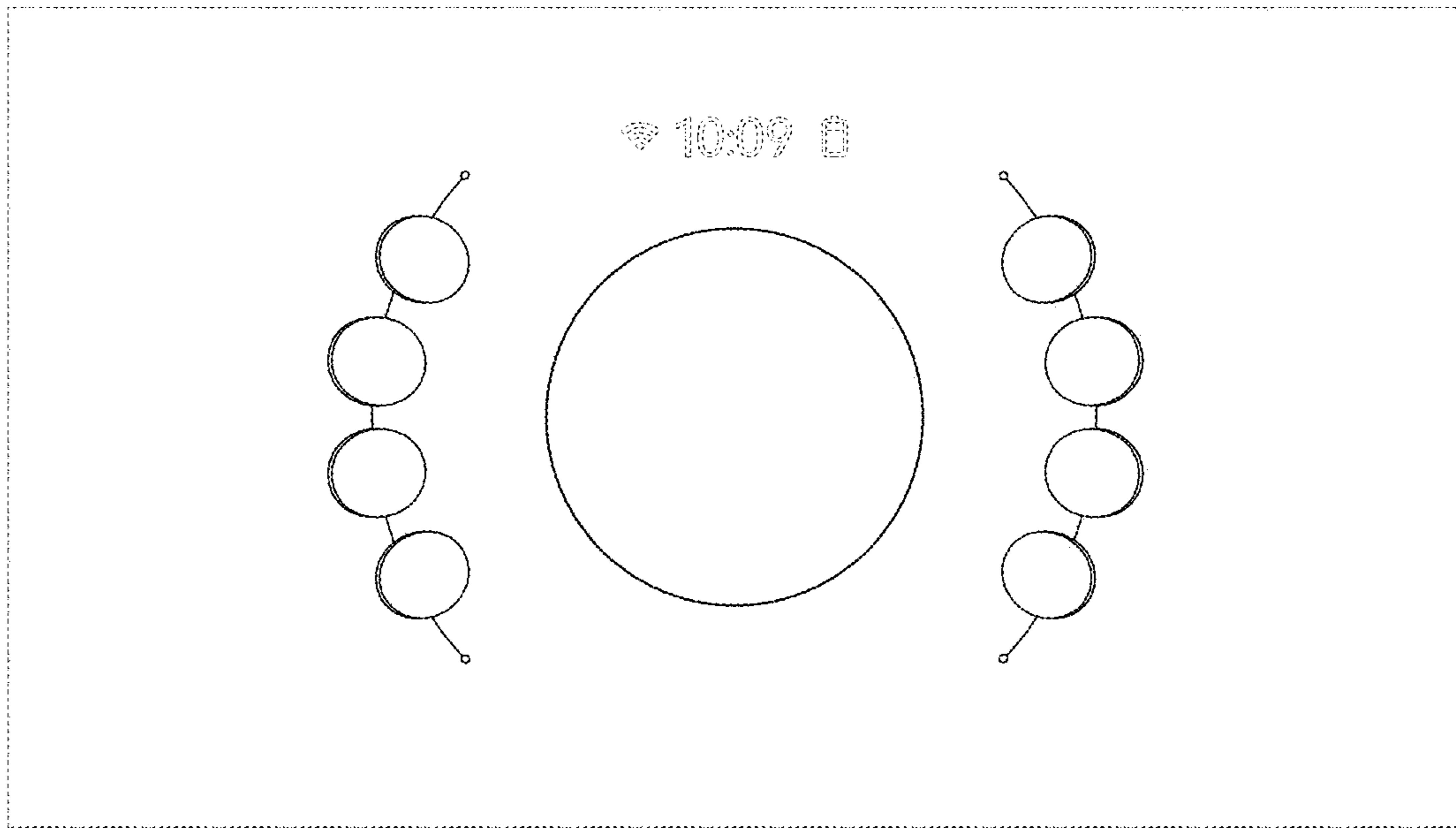


FIG. 5

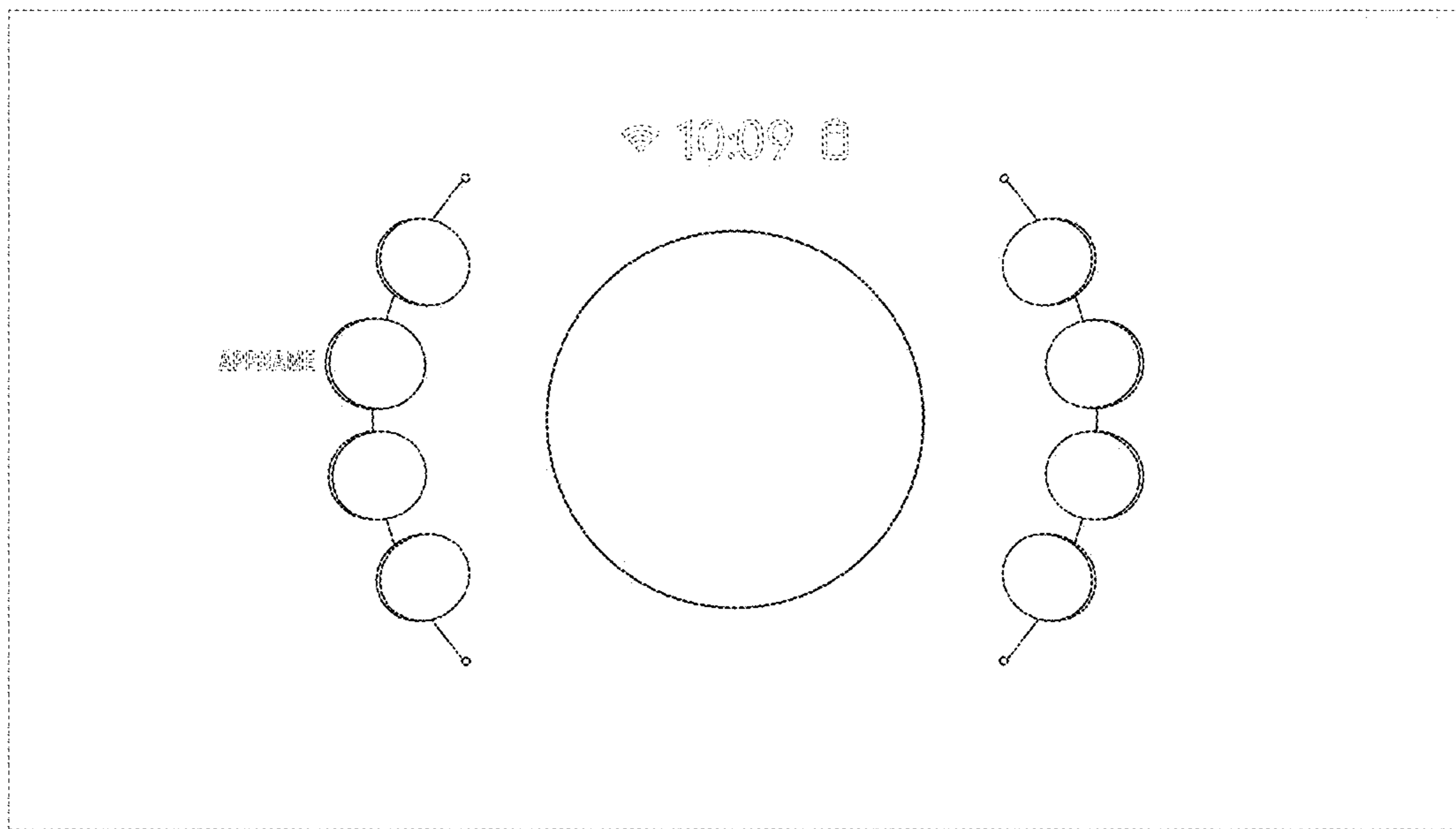


FIG. 6

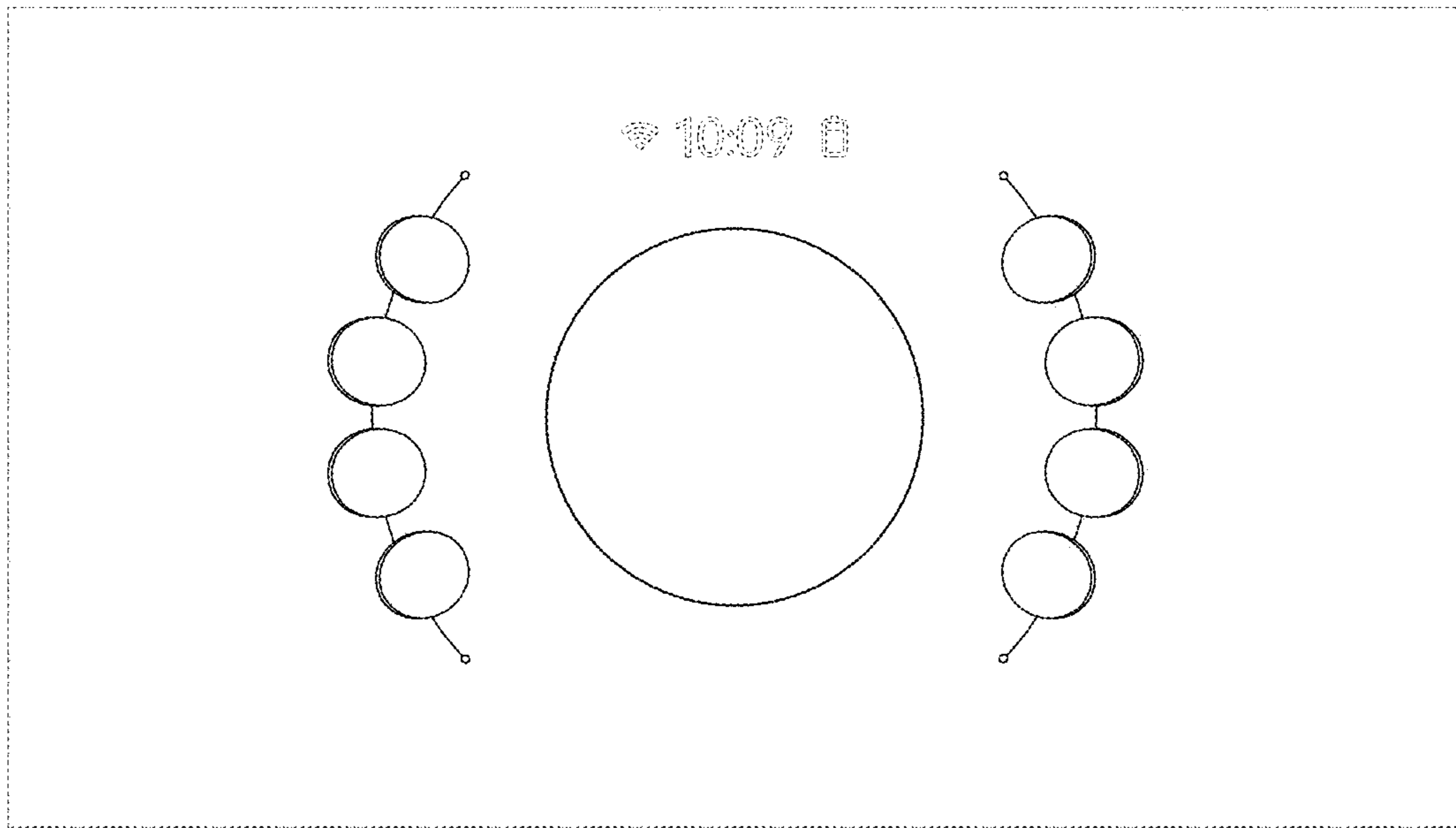


FIG. 7

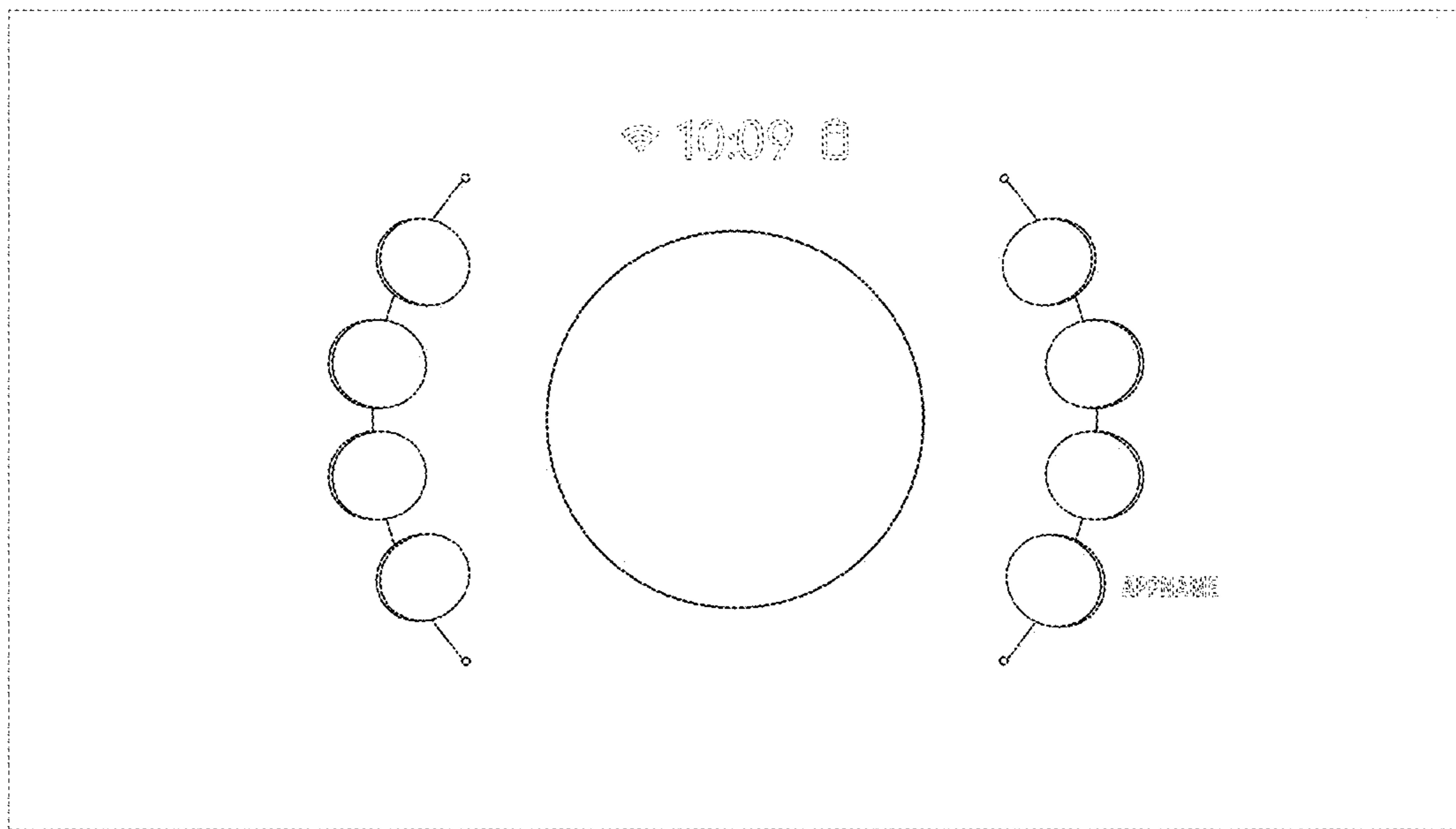


FIG. 8

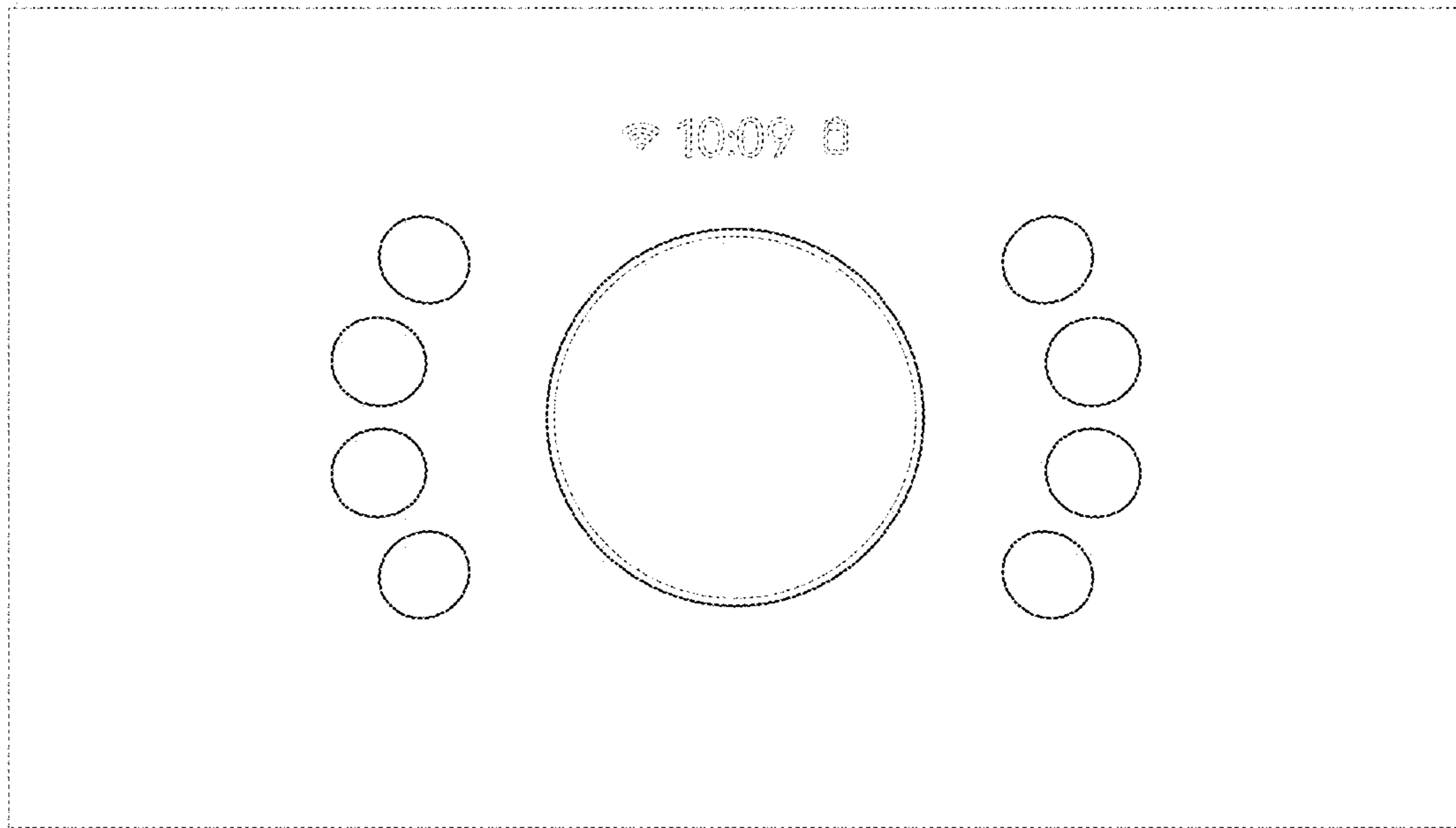


FIG. 9

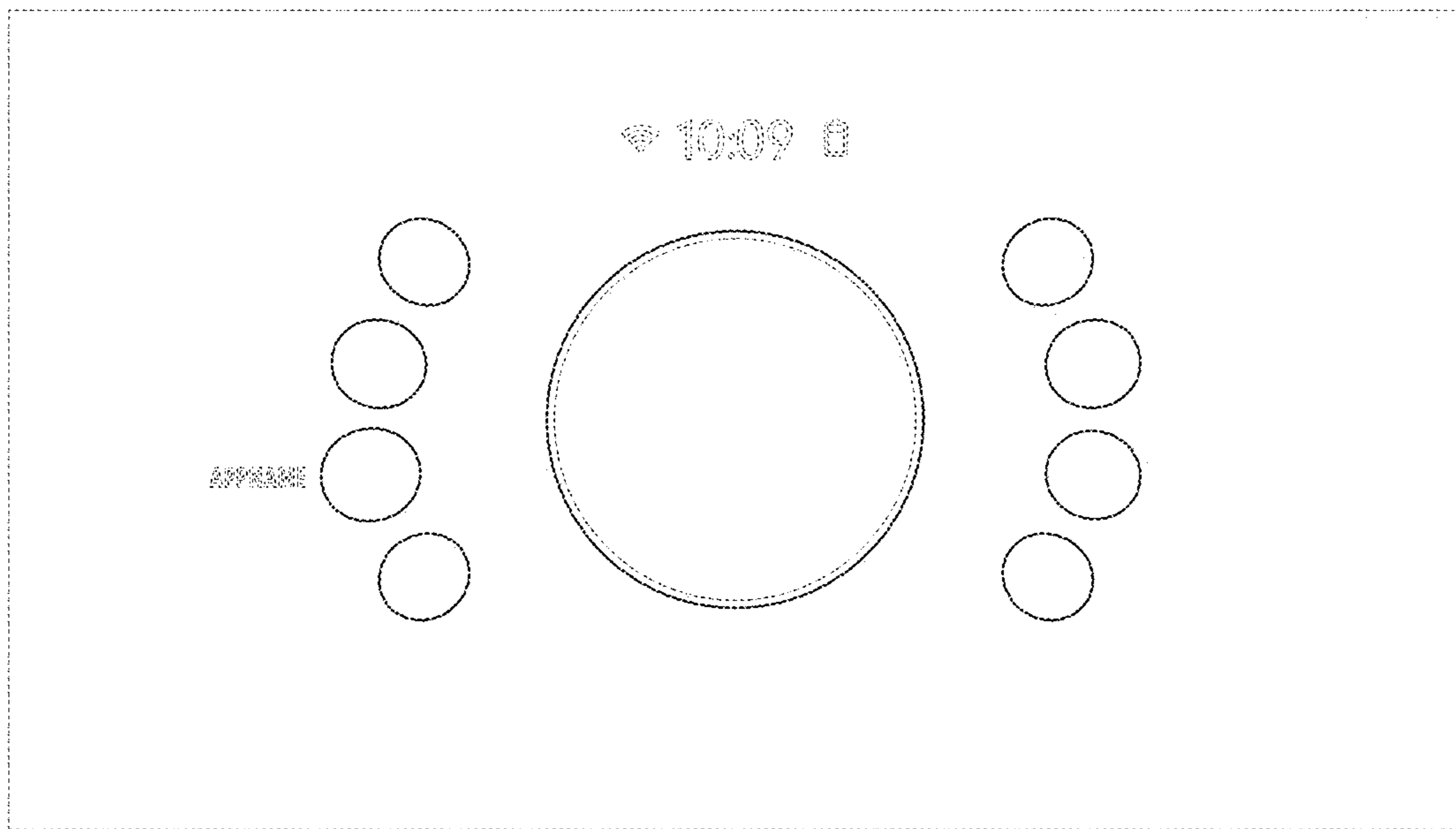


FIG. 10

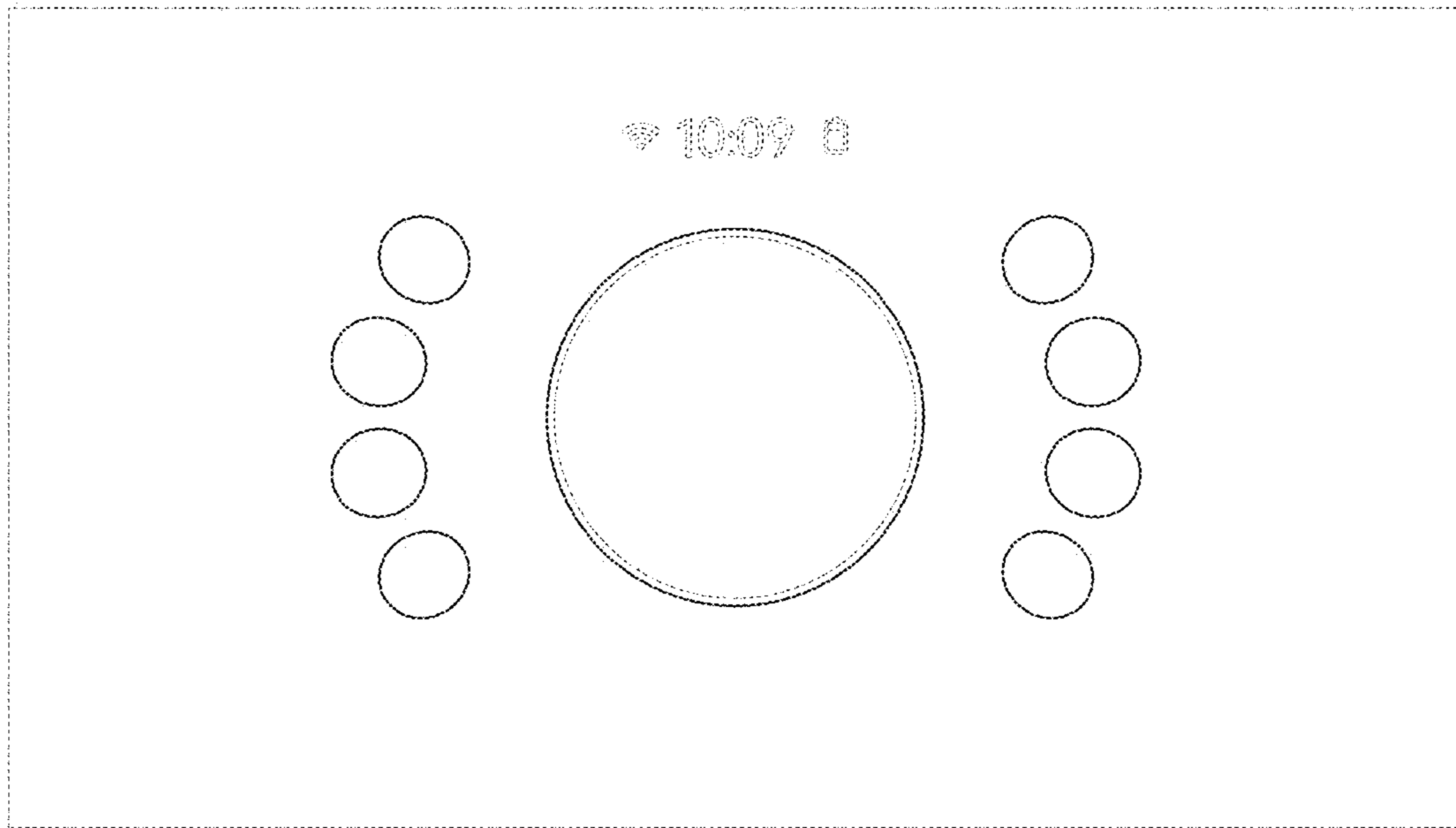


FIG. 11

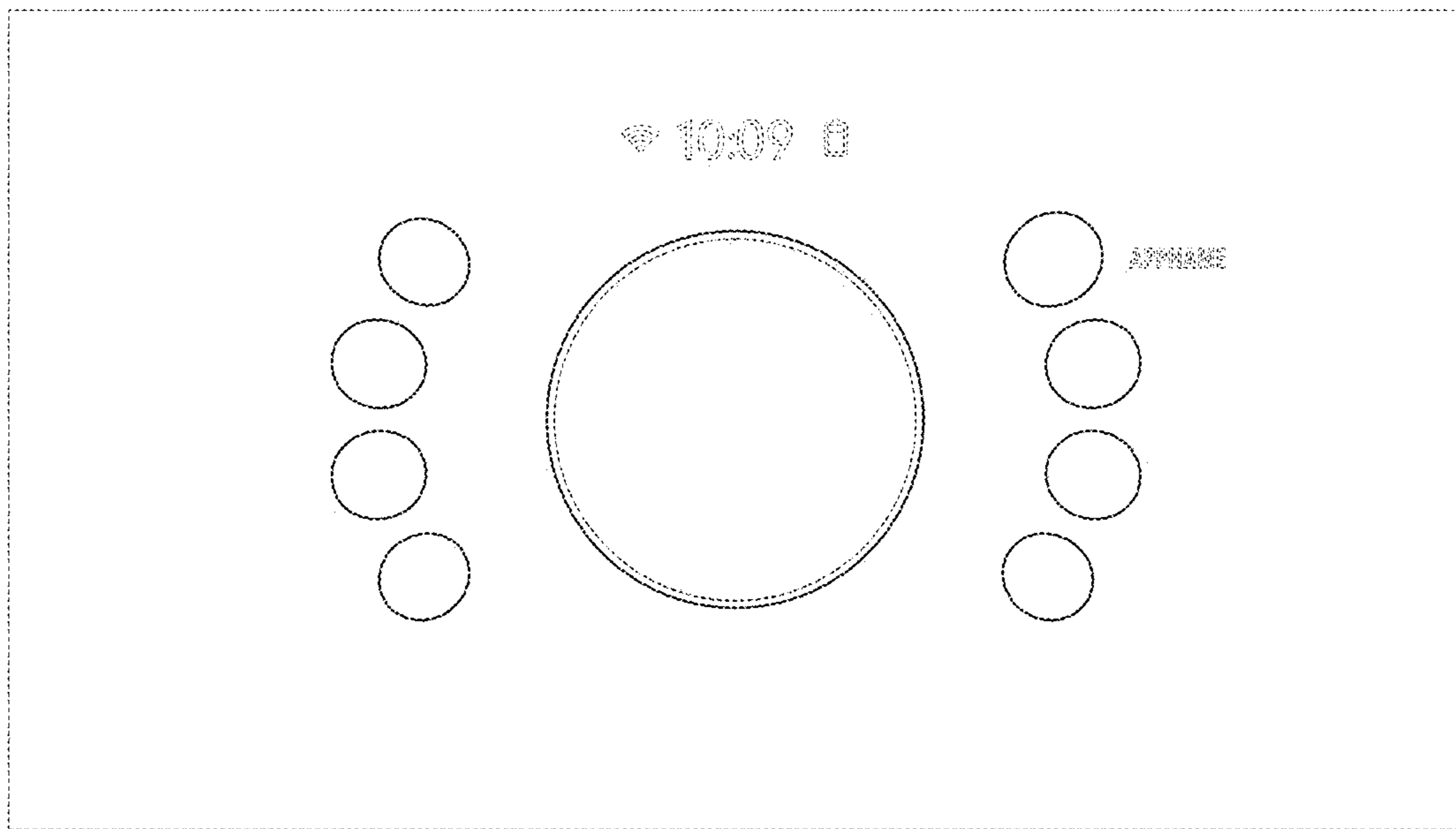


FIG. 12

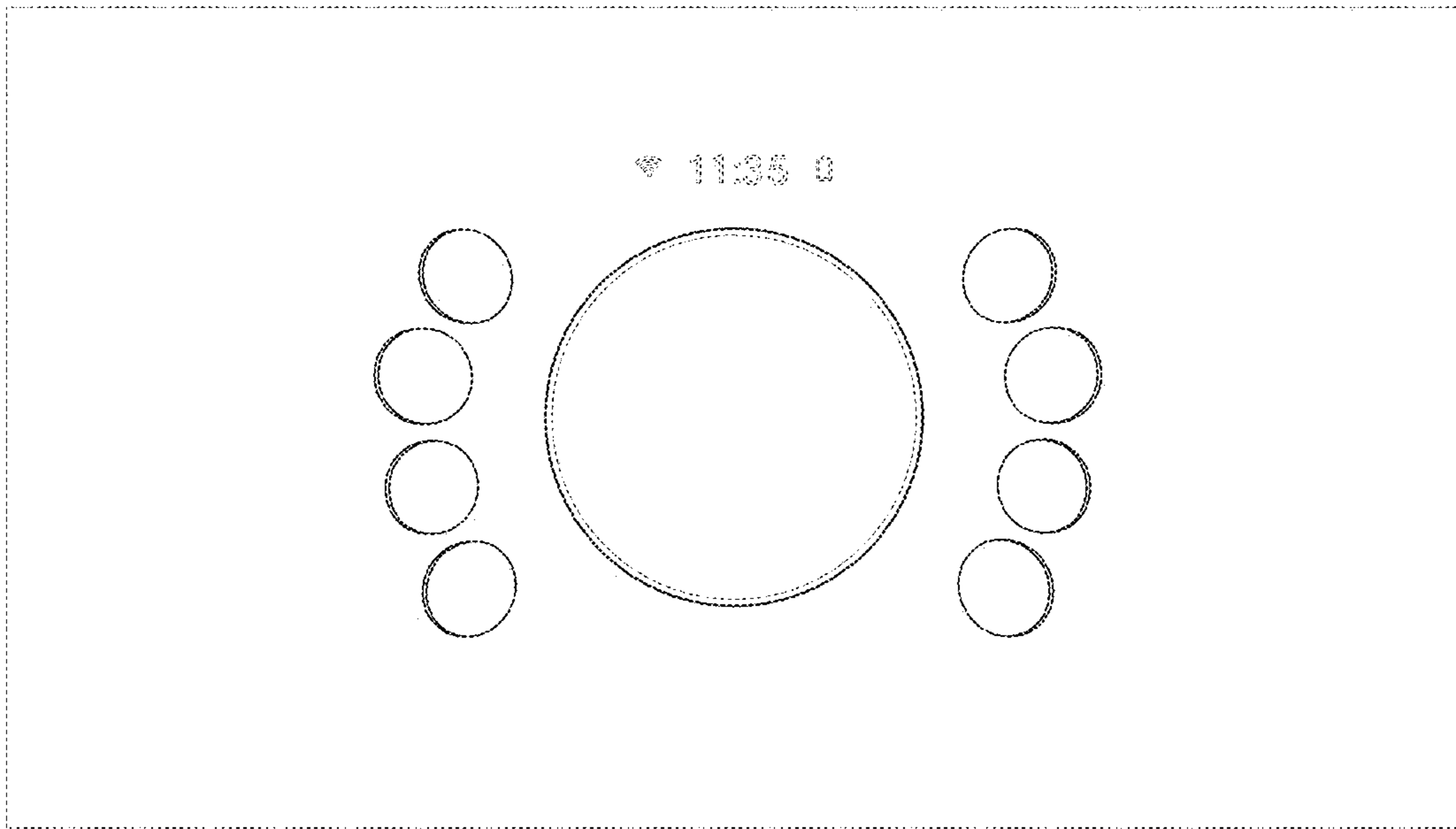


FIG. 13

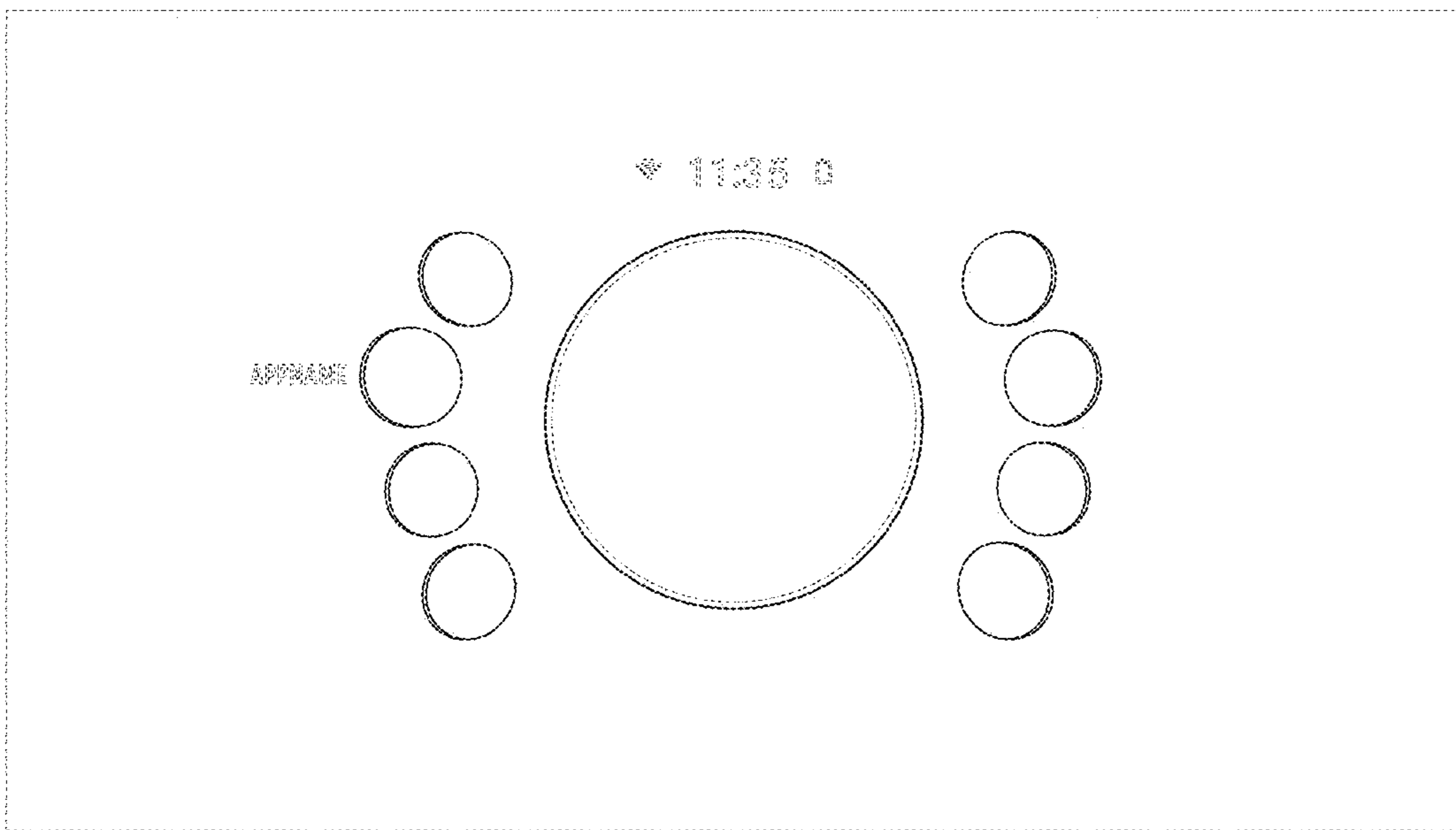


FIG. 14

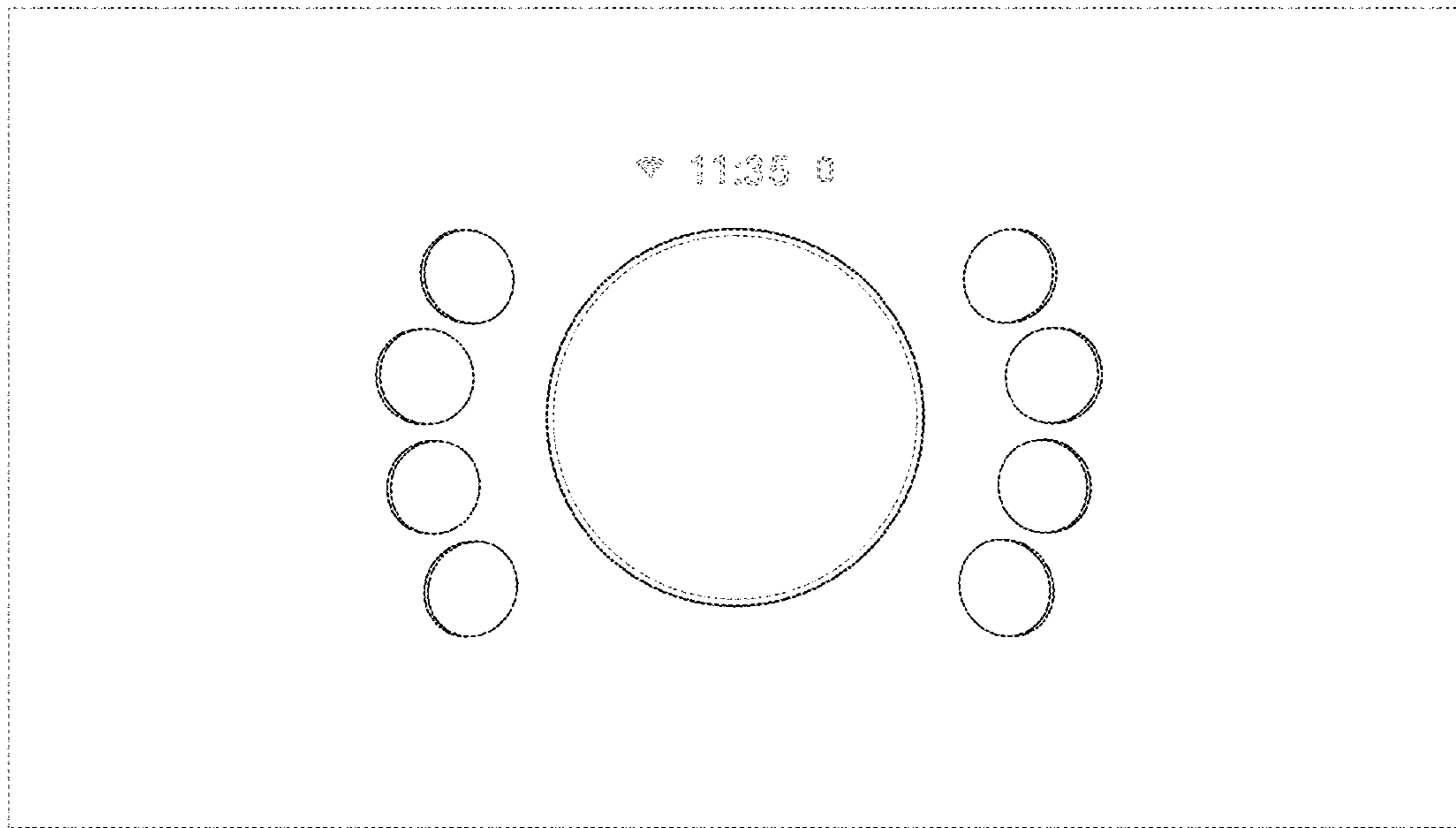


FIG. 15

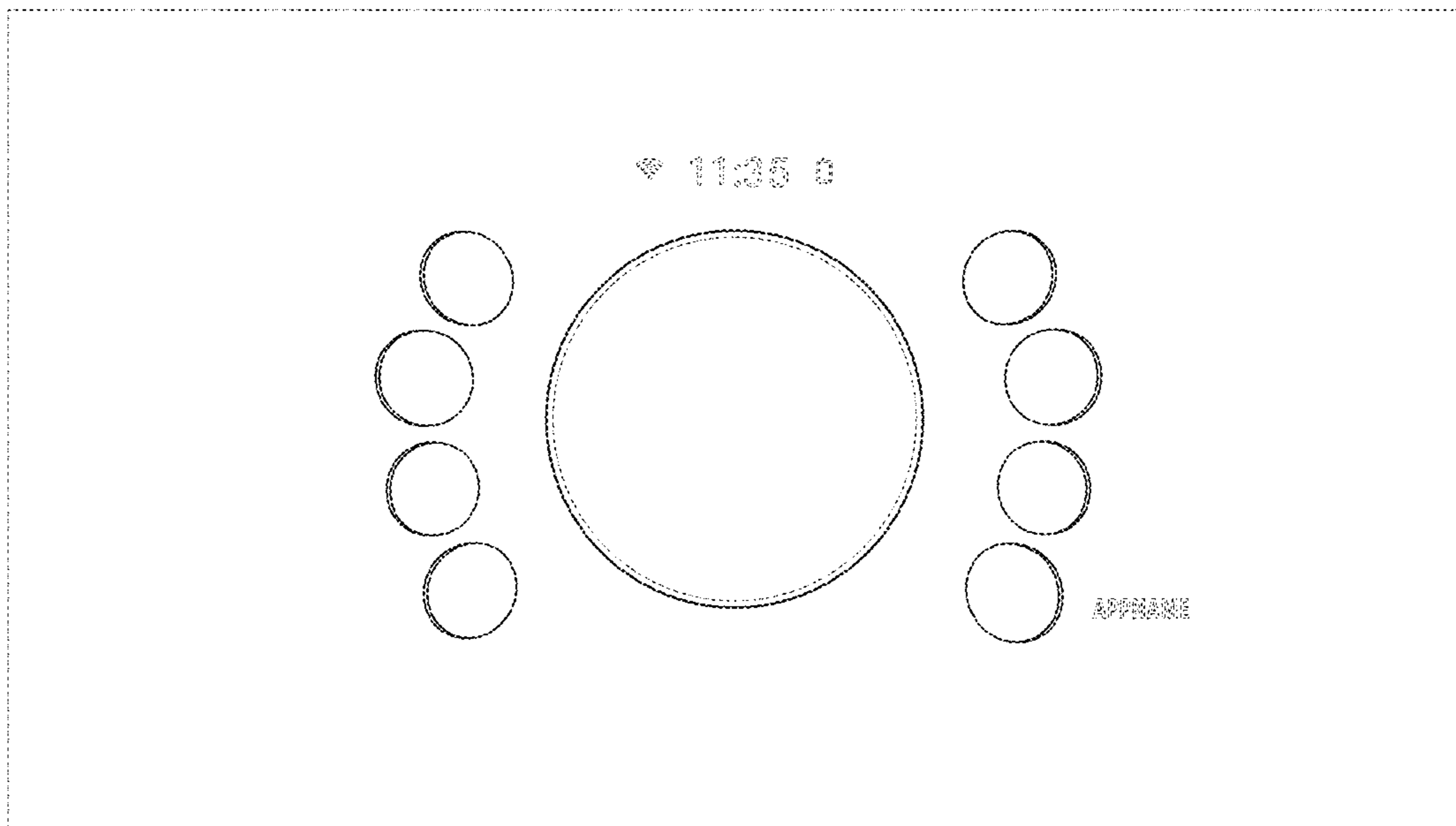


FIG. 16

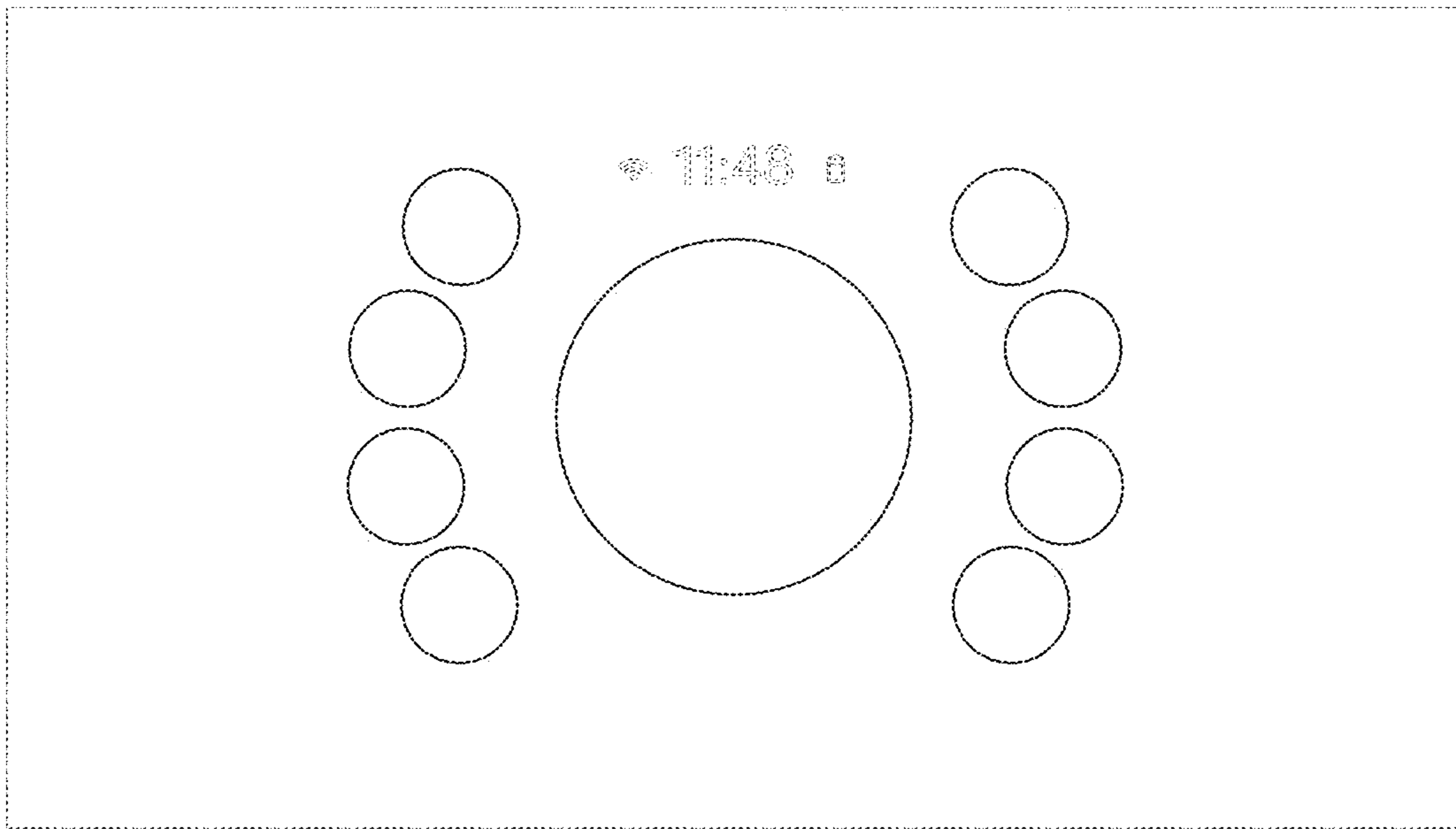


FIG. 17

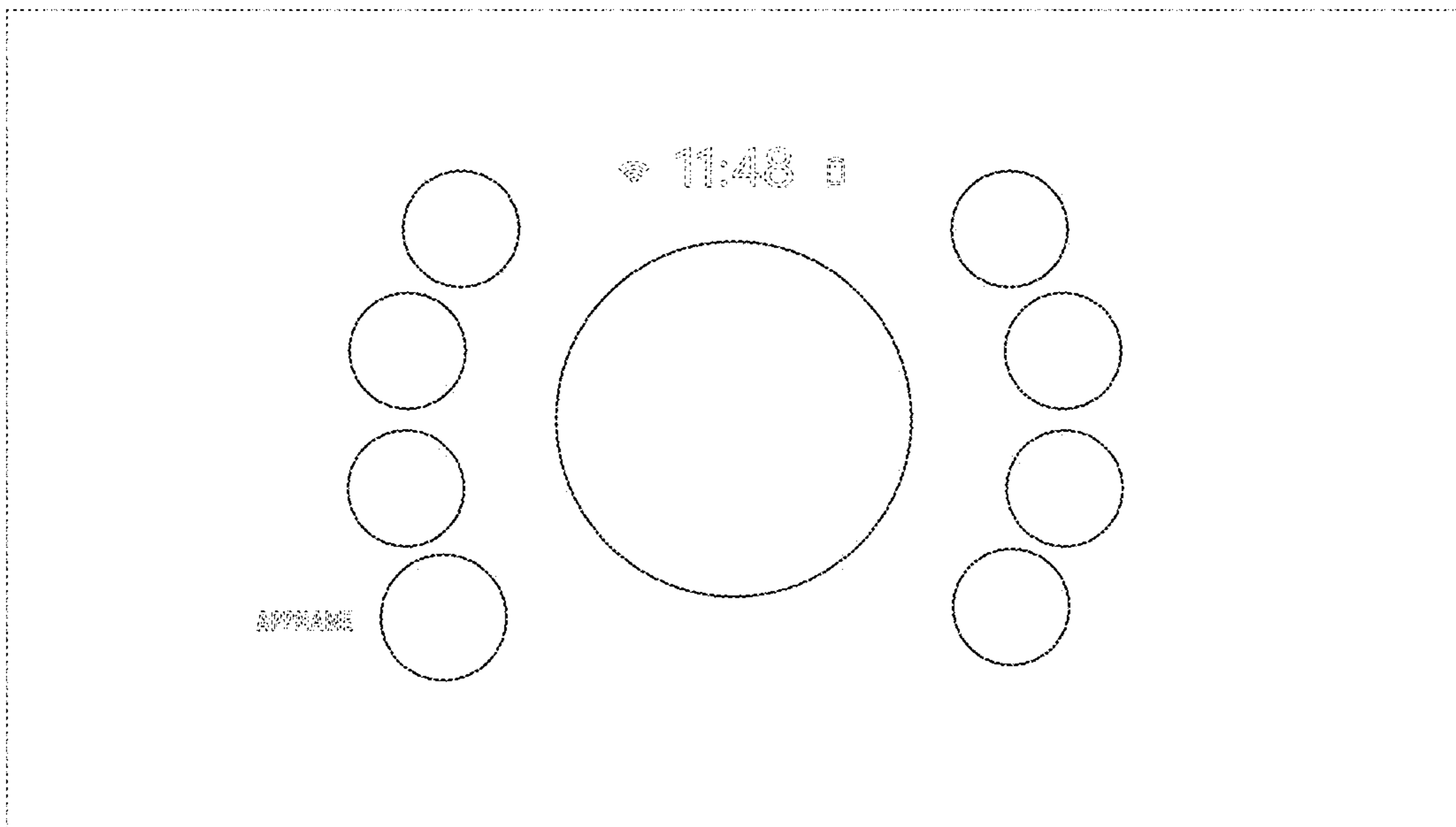


FIG. 18

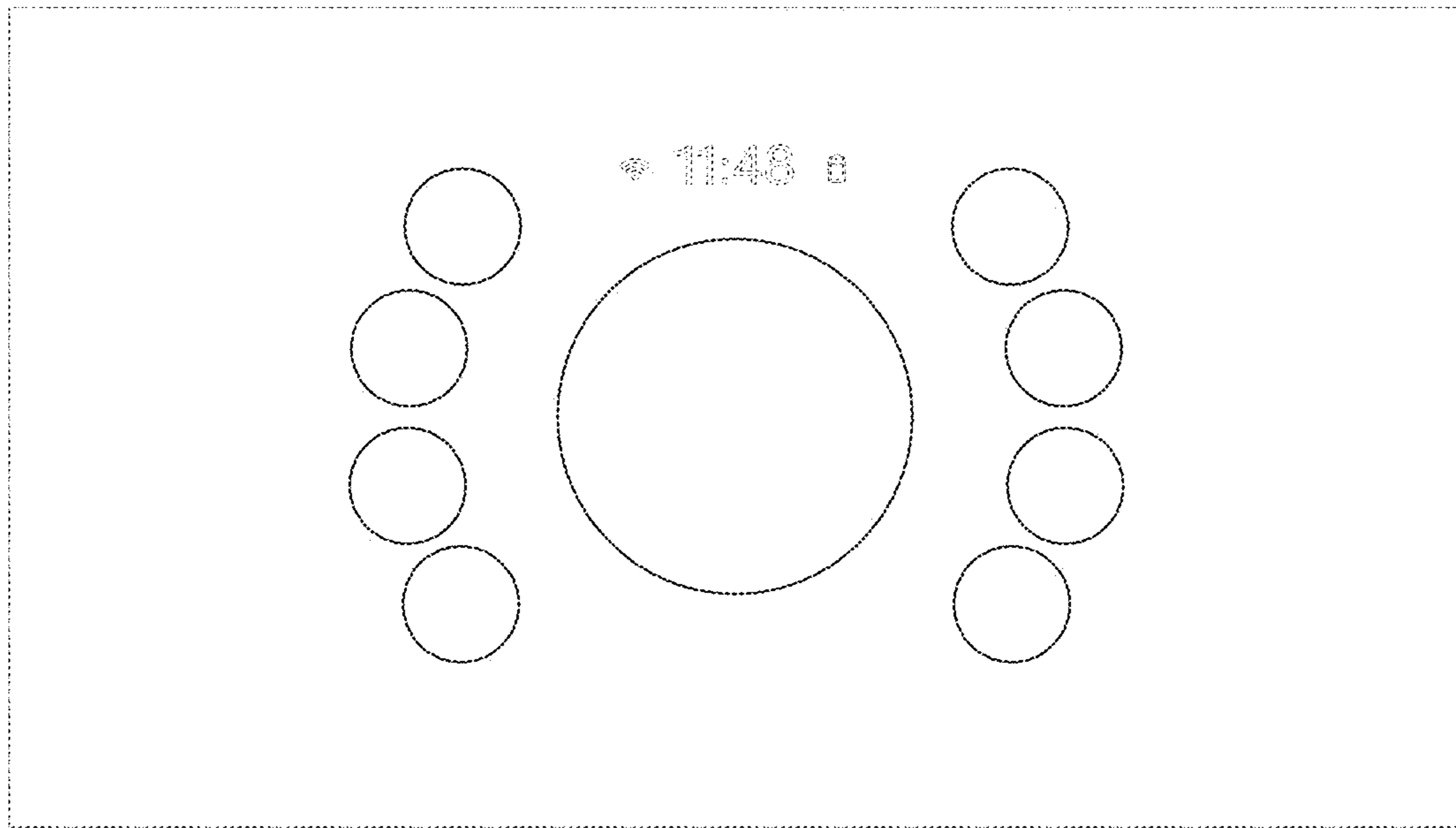


FIG. 19

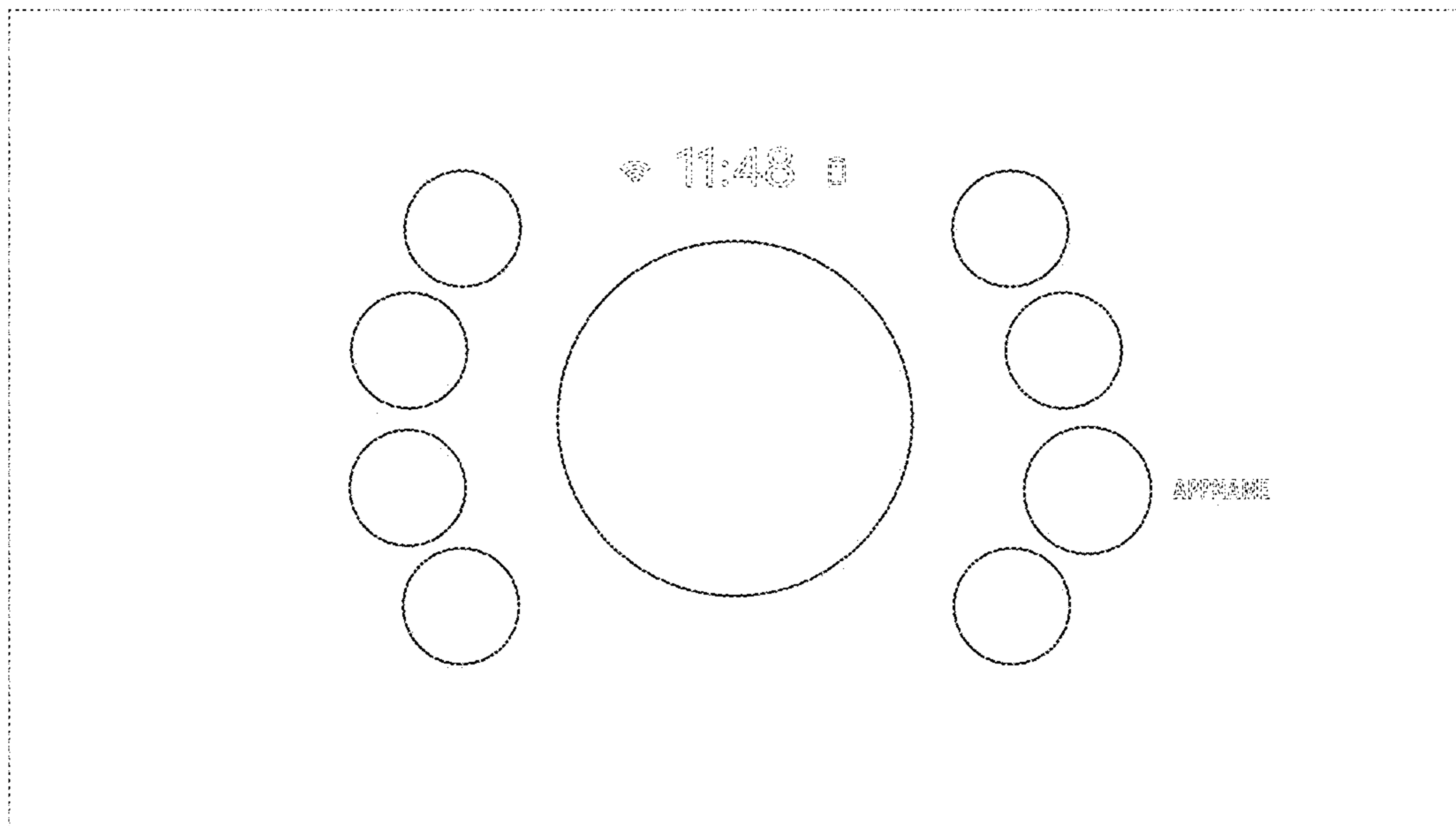


FIG. 20

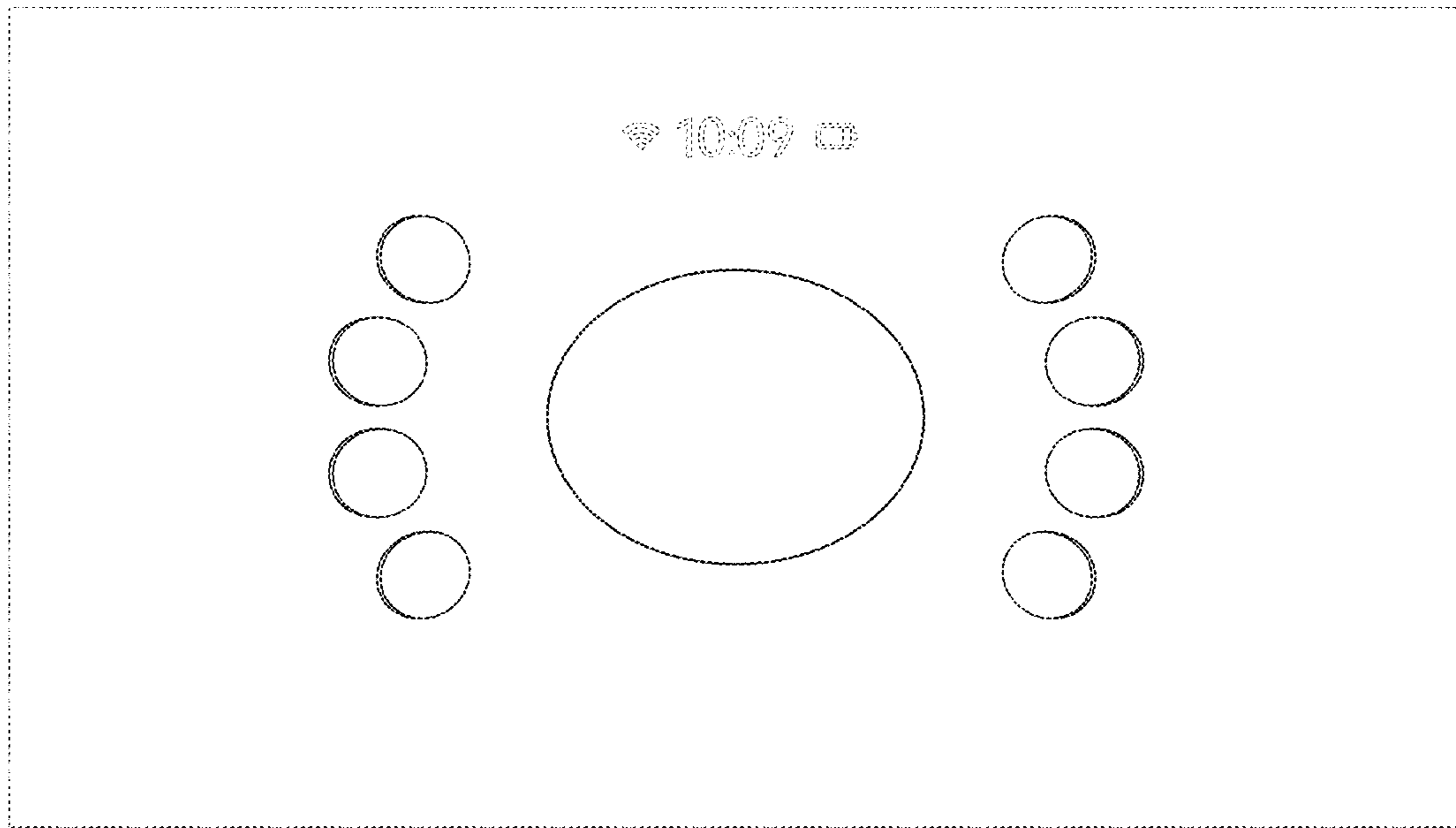


FIG. 21

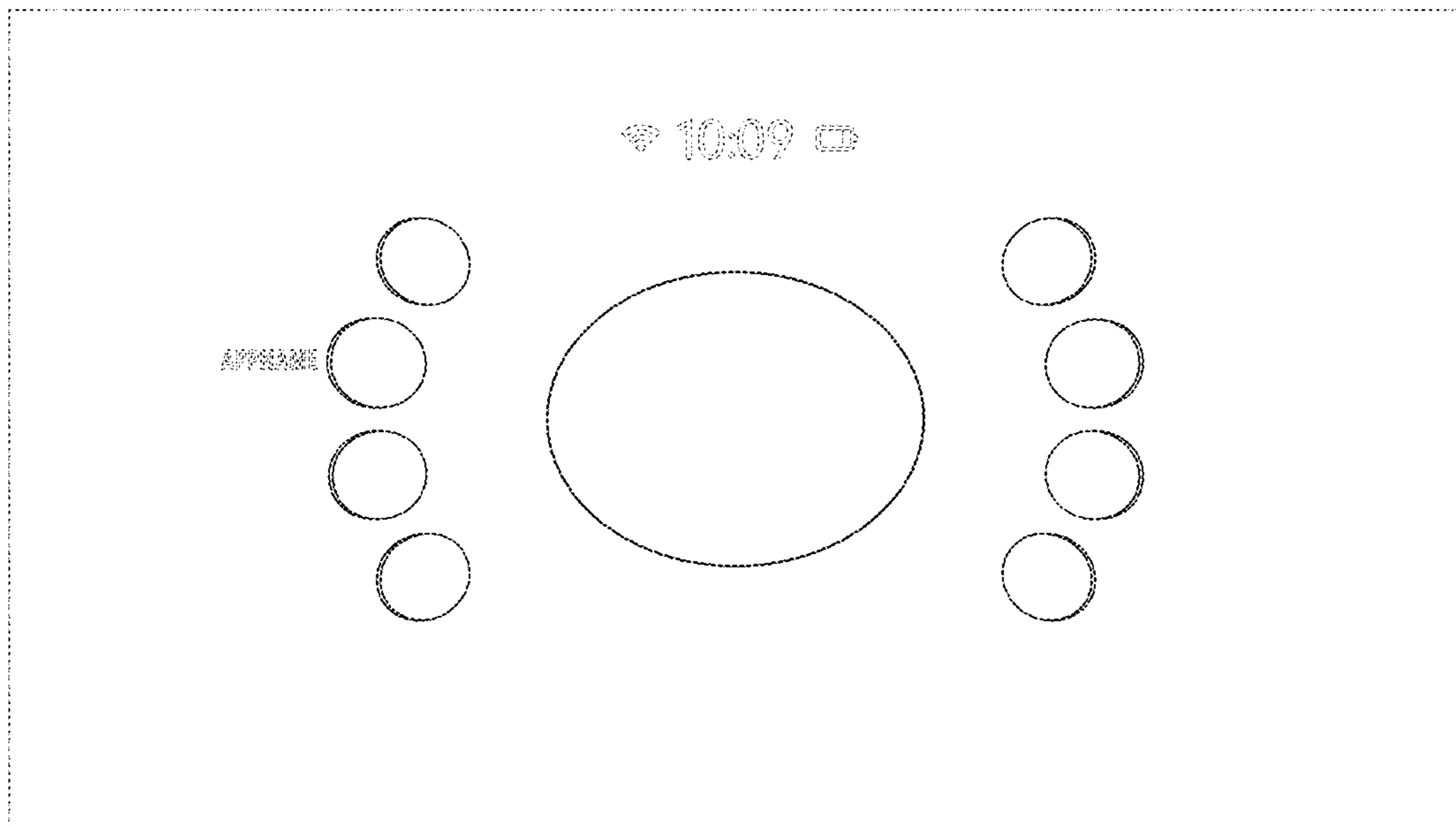


FIG. 22

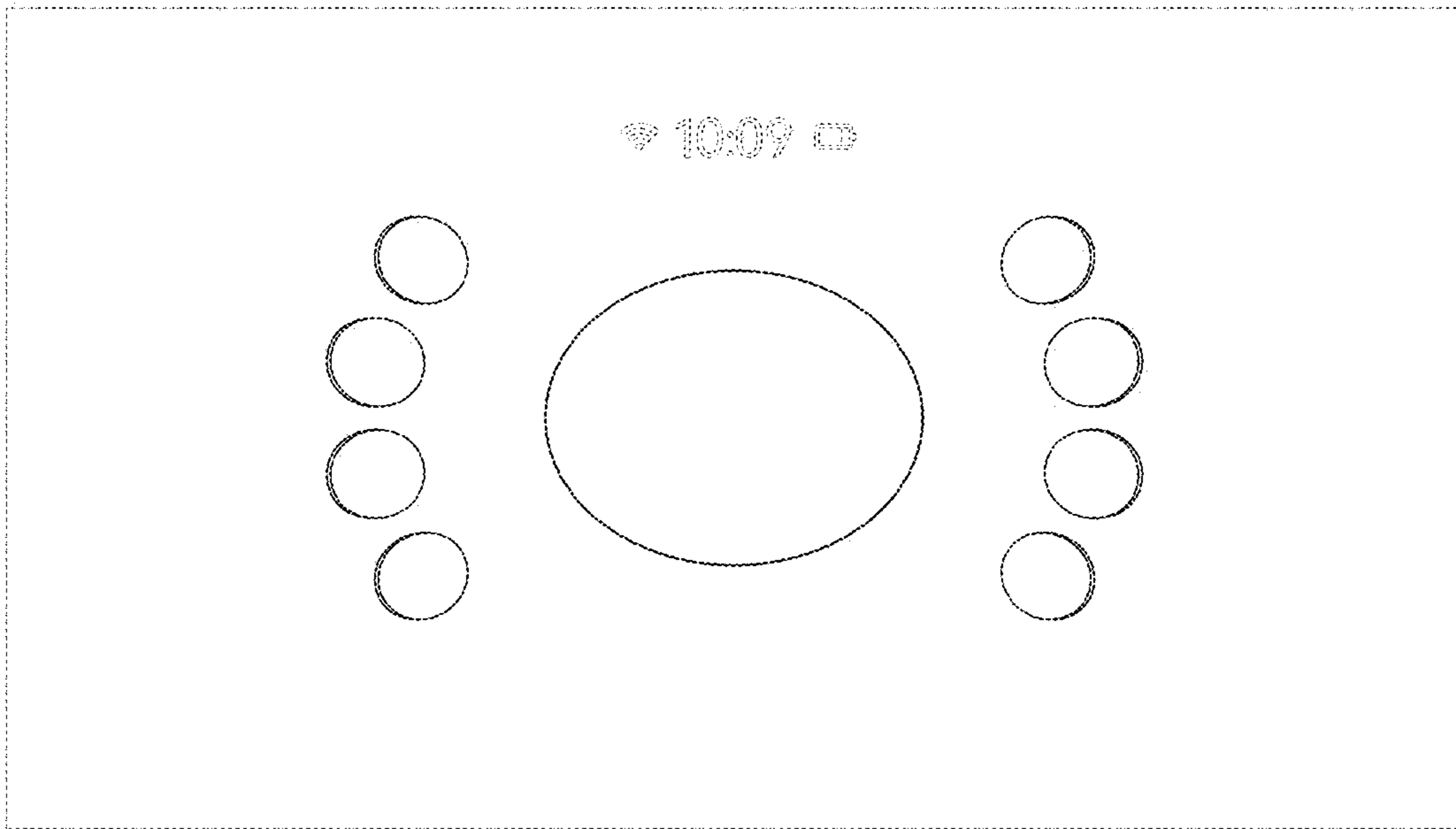


FIG. 23

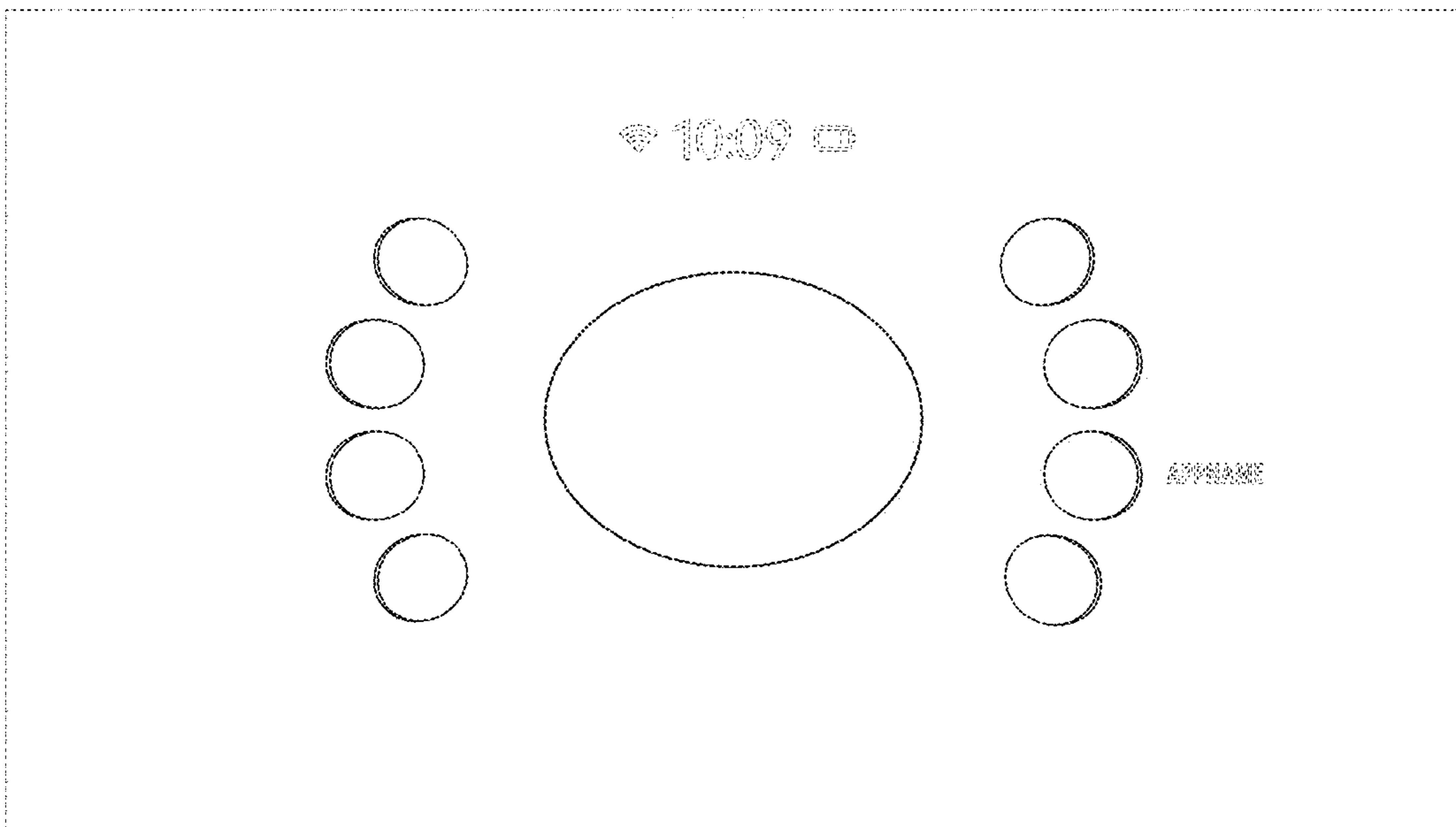


FIG. 24

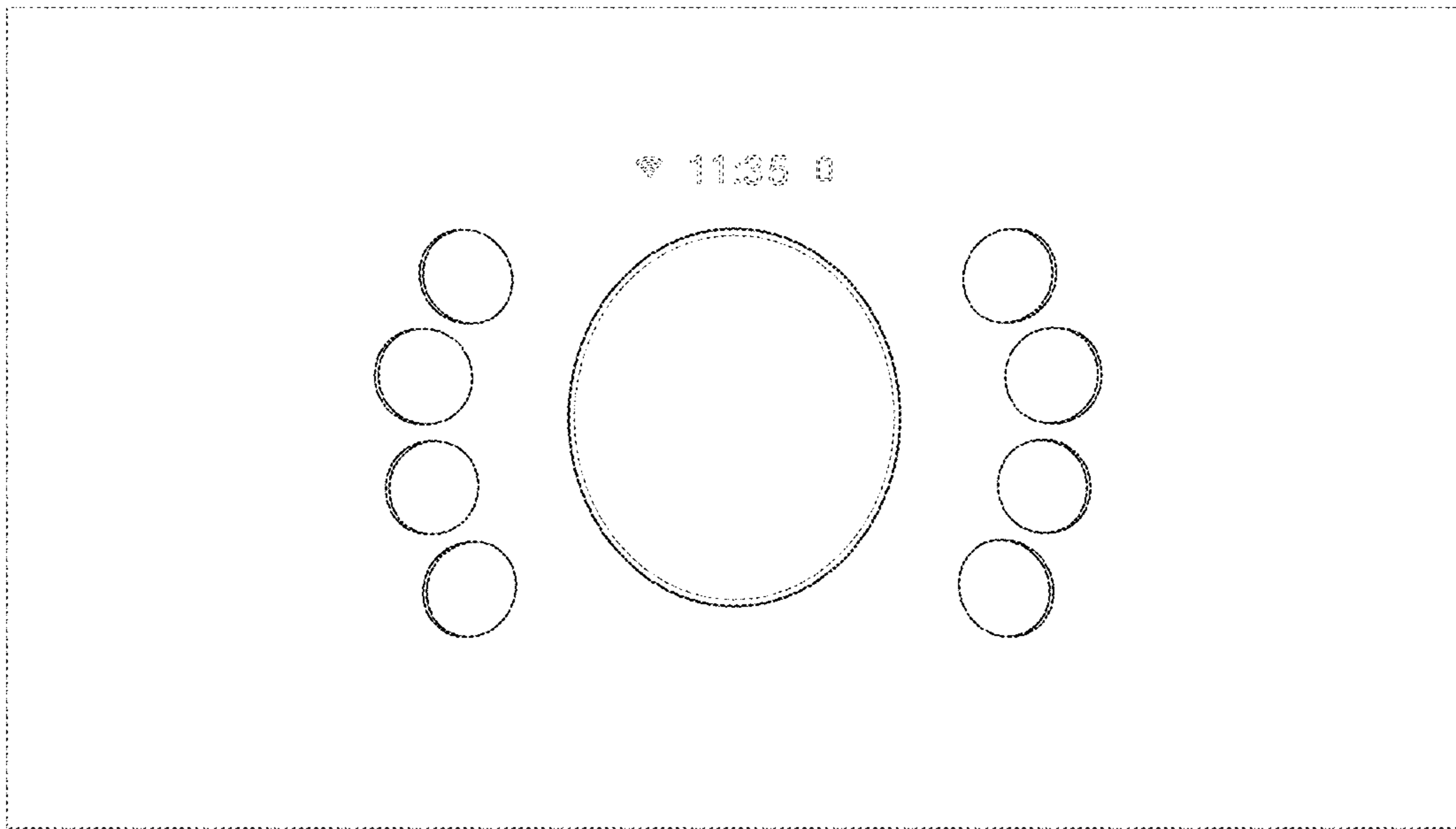


FIG. 25

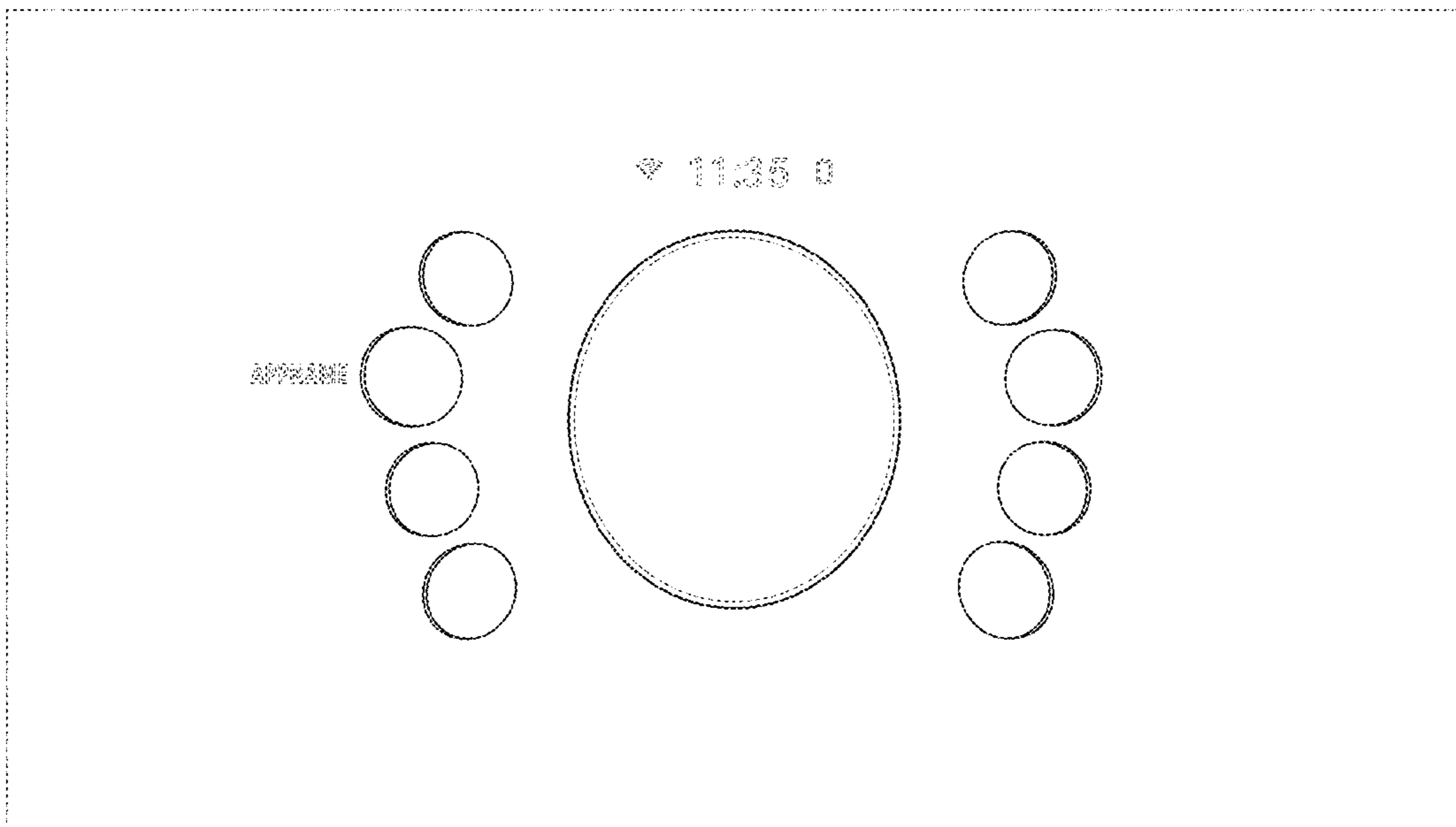


FIG. 26

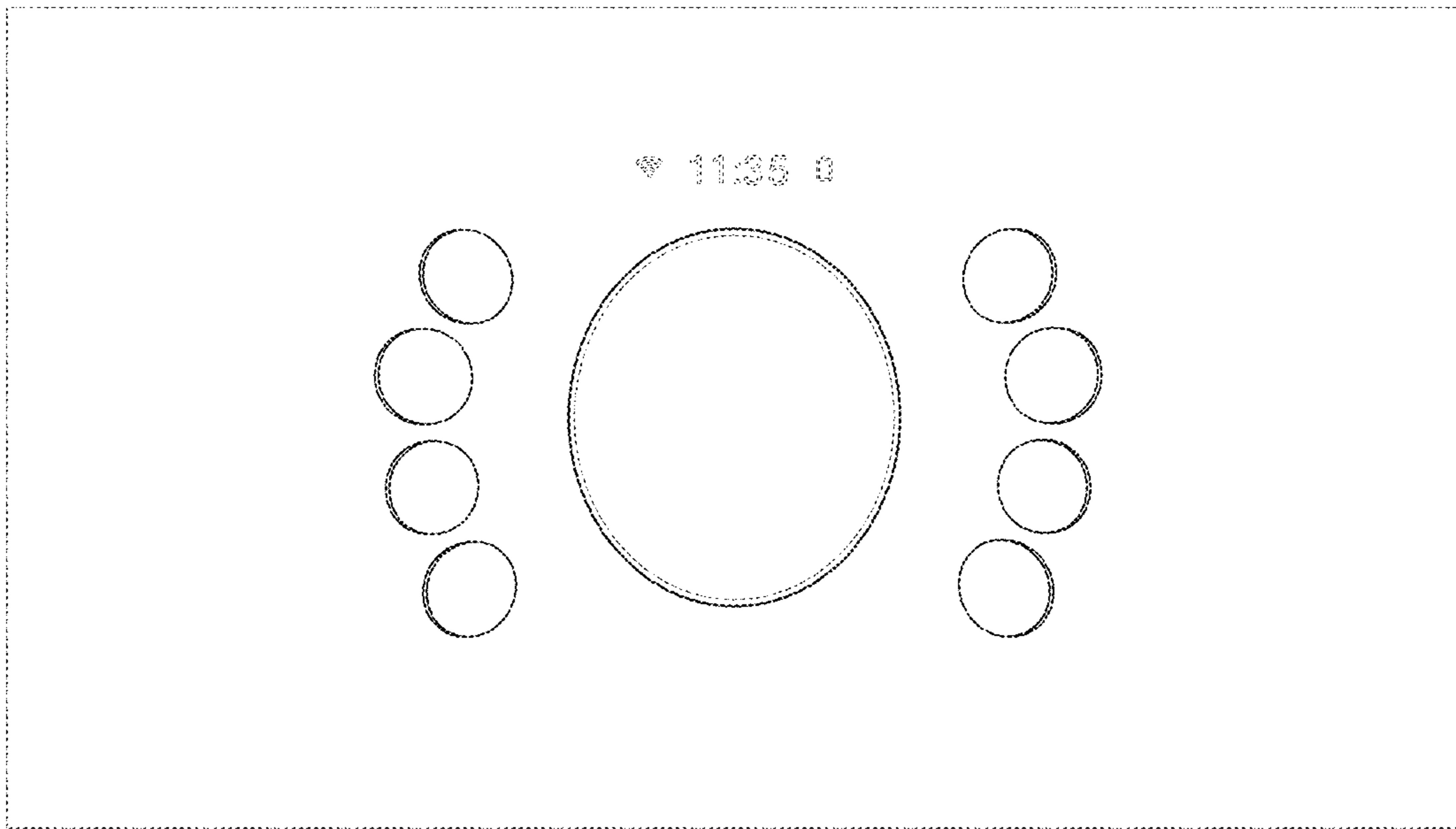


FIG. 27

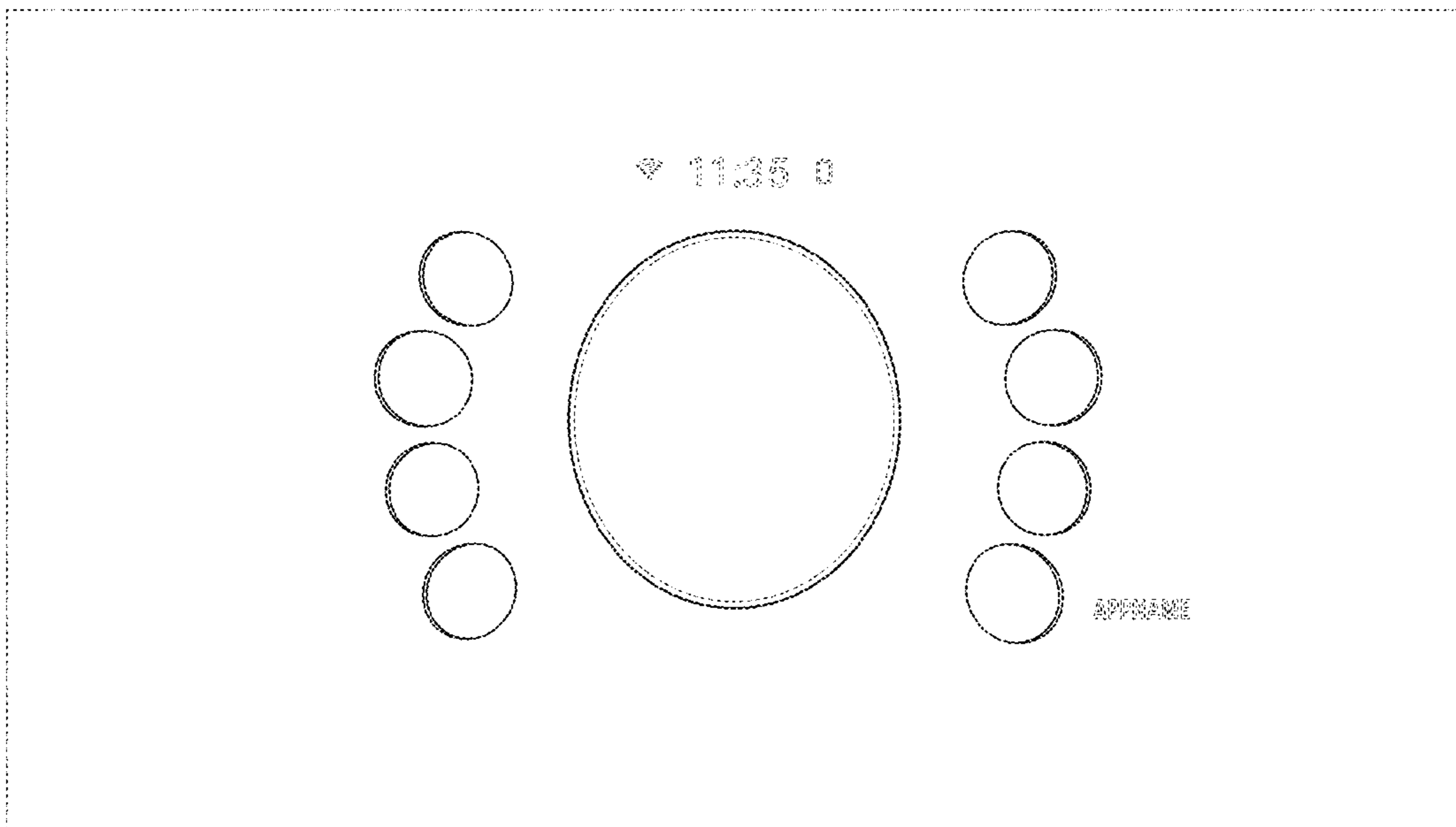


FIG. 28