



US00D981425S

(12) **United States Design Patent**  
**Behrendt**

(10) **Patent No.:** **US D981,425 S**

(45) **Date of Patent:** **\*\* Mar. 21, 2023**

(54) **DISPLAY SCREEN WITH GRAPHICAL USER INTERFACE**

(71) Applicant: **KARL STORZ SE & Co. KG,**  
Tuttlingen (DE)

(72) Inventor: **Kay Behrendt,** Tuttlingen (DE)

(73) Assignee: **KARL STORZ SE & CO. KG,**  
Tuttlingen (DE)

(\*\*) Term: **15 Years**

(21) Appl. No.: **29/753,238**

(22) Filed: **Sep. 30, 2020**

(51) **LOC (14) Cl.** ..... **14-04**

(52) **U.S. Cl.**

USPC ..... **D14/485**

(58) **Field of Classification Search**

USPC ..... D14/485-95

CPC .... G06F 3/048; G06F 3/0481; G06F 3/04812;  
G06F 3/04815; G06F 3/04817; G06F  
3/0482; G06F 3/0483; G06F 3/0484;  
G06F 3/04842; G06F 3/04845; G06F  
3/04847; G06F 3/0485; G06F 3/0486;  
G06F 3/0487; G06F 3/0488; G06F  
3/04883; G06F 3/04886

See application file for complete search history.

(56) **References Cited**

**U.S. PATENT DOCUMENTS**

D526,323 S \* 8/2006 McDougall ..... D14/485  
D530,335 S \* 10/2006 Blencowe ..... D14/485  
D553,637 S \* 10/2007 Blencowe ..... D14/486  
D585,907 S \* 2/2009 Blencowe ..... D14/486  
D586,356 S \* 2/2009 Blencowe ..... D14/486  
D660,860 S \* 5/2012 Louch ..... D14/493  
D664,961 S \* 8/2012 Pereira ..... D14/485  
D709,077 S \* 7/2014 Jonsson ..... D14/485

D723,048 S \* 2/2015 Helliker ..... G06F 3/0481  
D14/486  
D730,368 S \* 5/2015 Folken ..... D14/485  
D743,971 S \* 11/2015 Bickel ..... D14/485  
D752,064 S \* 3/2016 Moon ..... D14/485  
D753,135 S \* 4/2016 Vazquez ..... D14/485  
D759,040 S \* 6/2016 Supino ..... D14/485  
D759,052 S \* 6/2016 Seo ..... D14/485  
D760,237 S \* 6/2016 Sabadosh ..... D14/485  
D769,270 S \* 10/2016 Hazam ..... D14/486  
D780,780 S \* 3/2017 Raji ..... D14/493  
D784,367 S \* 4/2017 Colley ..... D14/485  
D820,292 S \* 6/2018 Mander ..... D14/486  
2007/0101295 A1 \* 5/2007 Ding ..... G06F 3/04845  
715/838  
2007/0124128 A1 \* 5/2007 Connacher ..... G09B 23/30  
703/11  
2008/0033240 A1 \* 2/2008 Hoffman ..... G06F 3/016  
600/109

(Continued)

**OTHER PUBLICATIONS**

Sidebars in UI Design—Evans, <https://medium.com/inspiration-supply/sidebars-in-ui-design-a327e8940dc3> (Year: 2017).\*

(Continued)

*Primary Examiner* — Melanie H Tung

*Assistant Examiner* — Darmawan Truong

(74) *Attorney, Agent, or Firm* — Eversheds Sutherland  
(US) LLP

(57) **CLAIM**

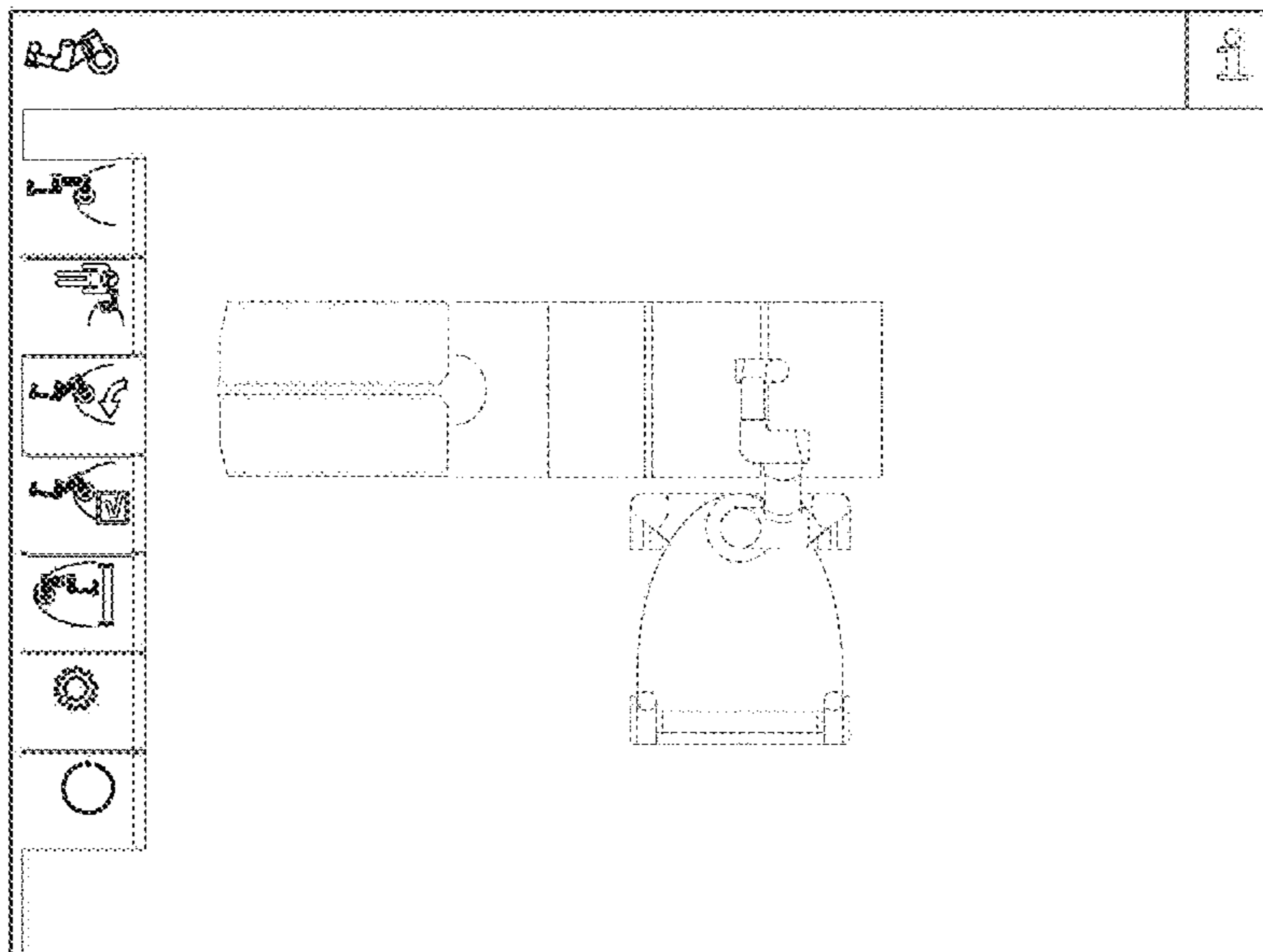
The ornamental design for a display screen with graphical user interface, as shown and described.

**DESCRIPTION**

The FIGURE is a front view of a display screen with graphical user interface showing our new design.

The broken lines showing portions of the graphical user interface form no part of the claimed design.

**1 Claim, 1 Drawing Sheet**



(56)

**References Cited**

U.S. PATENT DOCUMENTS

2009/0147026 A1\* 6/2009 Buck ..... G06F 3/0481  
345/666  
2009/0149927 A1\* 6/2009 Kneuer ..... A61G 11/008  
345/173  
2012/0207365 A1\* 8/2012 Verstraeten ..... A61B 34/25  
382/128

OTHER PUBLICATIONS

ThinkTank Technologies announces the release of SweetVision HD—ThinkTank, <https://www.prnewswire.com/news-releases/thinktank-technologies-announces-the-release-of-sweetvision-hd-advanced-endoscope-imaging-systems-300060070.html> (Year: 2015).\*

\* cited by examiner

