



US00D981421S

(12) **United States Design Patent**  
**Lee et al.**

(10) **Patent No.:** **US D981,421 S**  
(45) **Date of Patent:** **\*\* Mar. 21, 2023**

(54) **STAND FOR DIGITAL SIGNAGE**  
(71) Applicant: **LG ELECTRONICS INC.**, Seoul (KR)  
(72) Inventors: **Jiyeon Lee**, Seoul (KR); **Yongho Lee**, Seoul (KR); **Areum Kwon**, Seoul (KR); **Chanwoo Park**, Seoul (KR)  
(73) Assignee: **LG ELECTRONICS INC.**, Seoul (KR)

D692,901 S \* 11/2013 Chung ..... D14/451  
D695,299 S \* 12/2013 Li ..... D14/451  
D700,187 S \* 2/2014 Lee ..... D14/451  
D708,157 S \* 7/2014 Park ..... D14/126  
D714,757 S \* 10/2014 Lee ..... D14/209.1  
D725,121 S \* 3/2015 Kim ..... D14/451  
D725,661 S \* 3/2015 Snyder ..... D14/451  
D726,195 S \* 4/2015 Snyder ..... D14/451  
D728,582 S \* 5/2015 Kim ..... D14/451  
D746,825 S \* 1/2016 Kang ..... D14/451  
D755,189 S \* 5/2016 Kim ..... D14/451  
D759,024 S \* 6/2016 Woo ..... D14/451  
D767,576 S \* 9/2016 Wang ..... D14/451

(\*\*) Term: **15 Years**

(Continued)

(21) Appl. No.: **29/794,983**

Primary Examiner — Catherine Ho

(22) Filed: **Jun. 16, 2021**

(74) Attorney, Agent, or Firm — Birch, Stewart, Kolasch & Birch, LLP

(30) **Foreign Application Priority Data**

Jan. 5, 2021 (KR) ..... 30-2021-0000335

(51) **LOC (14) Cl.** ..... **14-06**

(52) **U.S. Cl.**  
USPC ..... **D14/451**; D20/99

(58) **Field of Classification Search**  
USPC ..... D20/10, 12, 13, 16, 17, 18, 19, 20, 35, D20/40, 41, 42, 43, 99; D14/125, 126, D14/127, 129, 451; D6/682.2, 682.4, D6/682.6; D19/112  
CPC ..... H04N 5/655; H04N 5/66; H04N 11/00; H04N 7/00; G06F 3/1407; G06F 3/14; G06F 3/1423; G06F 3/147; G09F 2013/1804; G09F 2013/184; G09F 2013/1872; G09F 13/04; G09F 13/02; G09F 13/00; G09F 13/20; G09F 13/34; G09F 15/00; G09F 7/00; G09F 3/00; G09F 3/10; G09F 3/04; G08B 13/2428; G08B 13/2442

See application file for complete search history.

(56) **References Cited**

**U.S. PATENT DOCUMENTS**

D469,773 S \* 2/2003 Bradley ..... D14/434  
D680,106 S \* 4/2013 Hwangbo ..... D14/239

(57) **CLAIM**

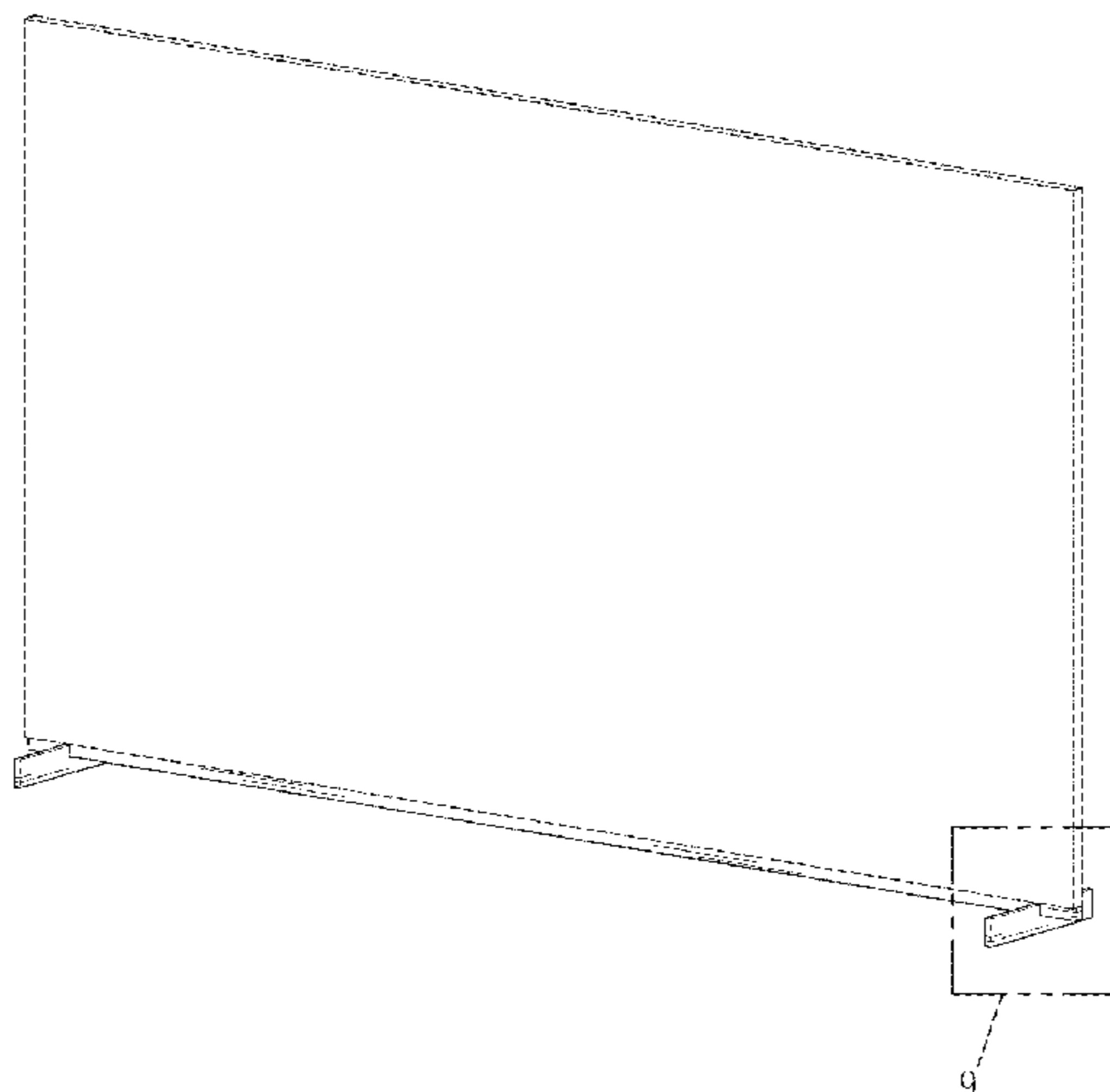
We claim the ornamental design for a stand for digital signage, as shown and described.

**DESCRIPTION**

FIG. 1 is a front perspective view of a stand for digital signage, showing our new design;  
FIG. 2 is a rear perspective view thereof;  
FIG. 3 is a front view thereof;  
FIG. 4 is a rear view thereof;  
FIG. 5 is a left-side elevation view thereof;  
FIG. 6 is a right-side elevation view thereof;  
FIG. 7 is a top plan view thereof;  
FIG. 8 is a bottom plan view thereof;  
FIG. 9 is an enlarged detailed view of boxed area 9 in FIG. 1; and,  
FIG. 10 is an enlarged detailed view of boxed area 10 in FIG. 2.

The broken lines in the drawings show portions of the article that form no part of the claimed design.

**1 Claim, 10 Drawing Sheets**



(56)

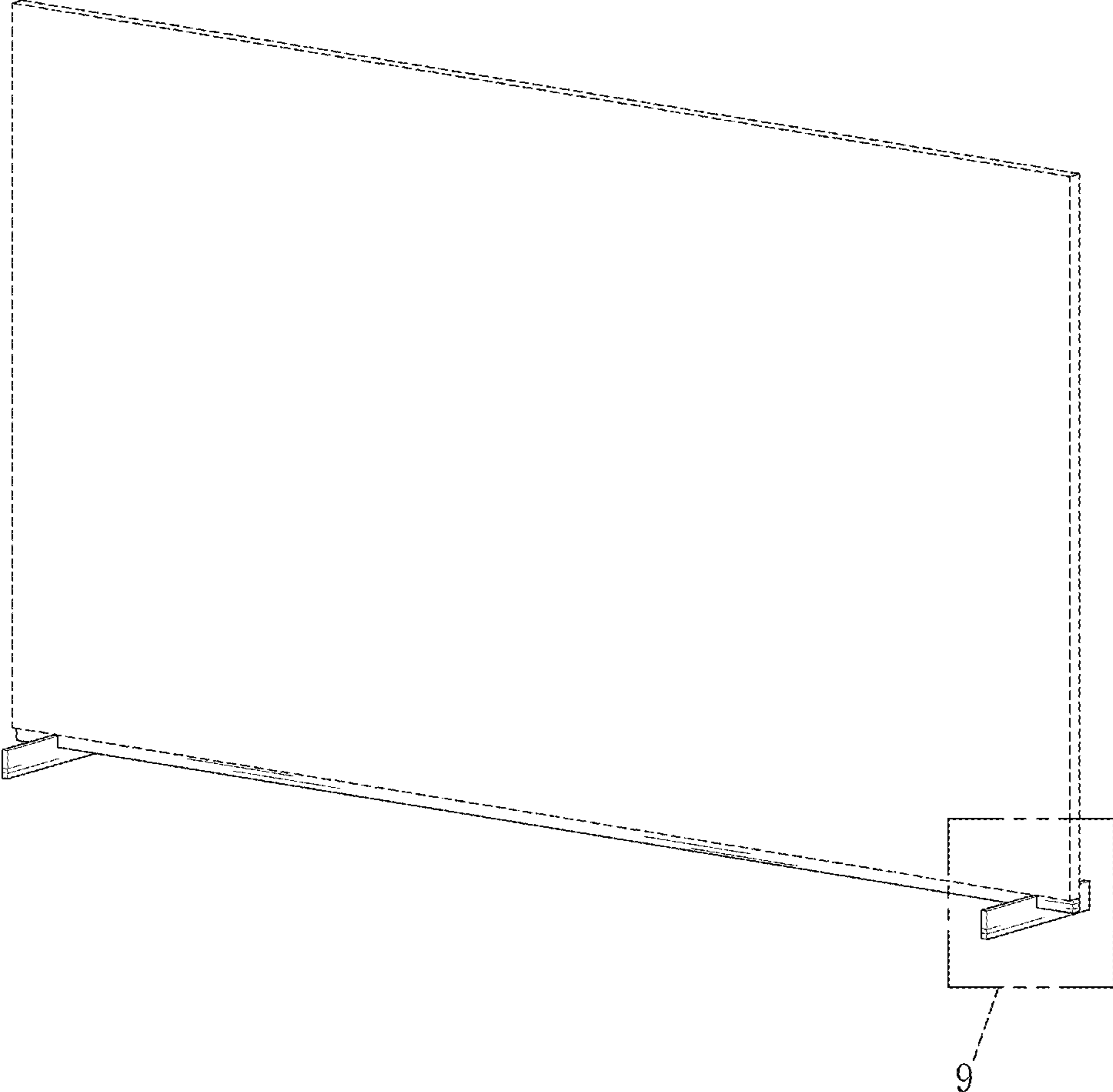
**References Cited**

U.S. PATENT DOCUMENTS

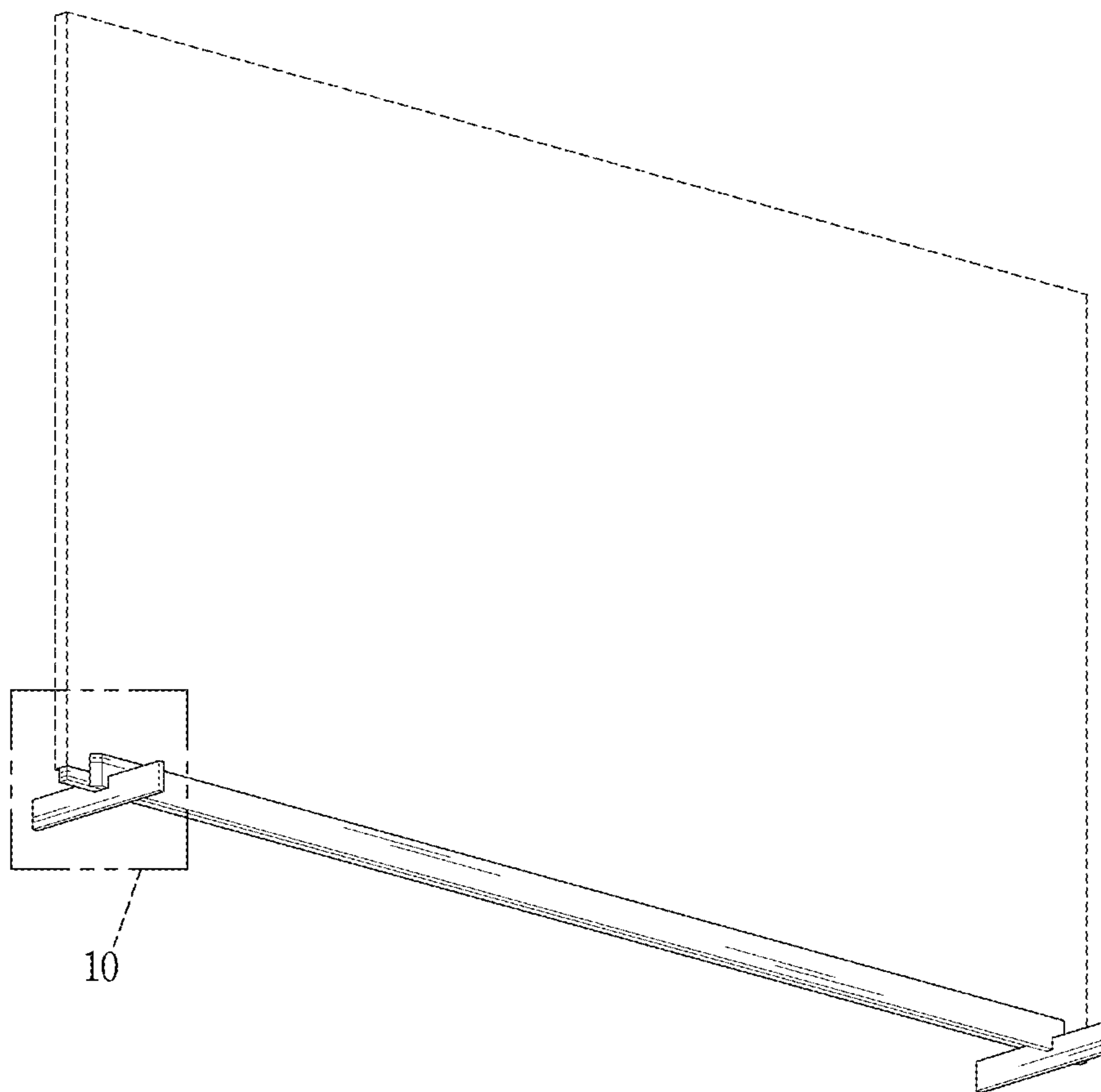
D784,305 S	*	4/2017	Lee	.....	D14/239
D793,402 S	*	8/2017	Kwon	.....	D14/451
D818,999 S	*	5/2018	Kim	.....	D14/239
D836,075 S	*	12/2018	Ryu	.....	D14/126
D855,593 S	*	8/2019	Seong	.....	D14/239
D954,717 S	*	6/2022	Entwistle	.....	D14/451
D960,722 S	*	8/2022	Chen	.....	D14/902

\* cited by examiner

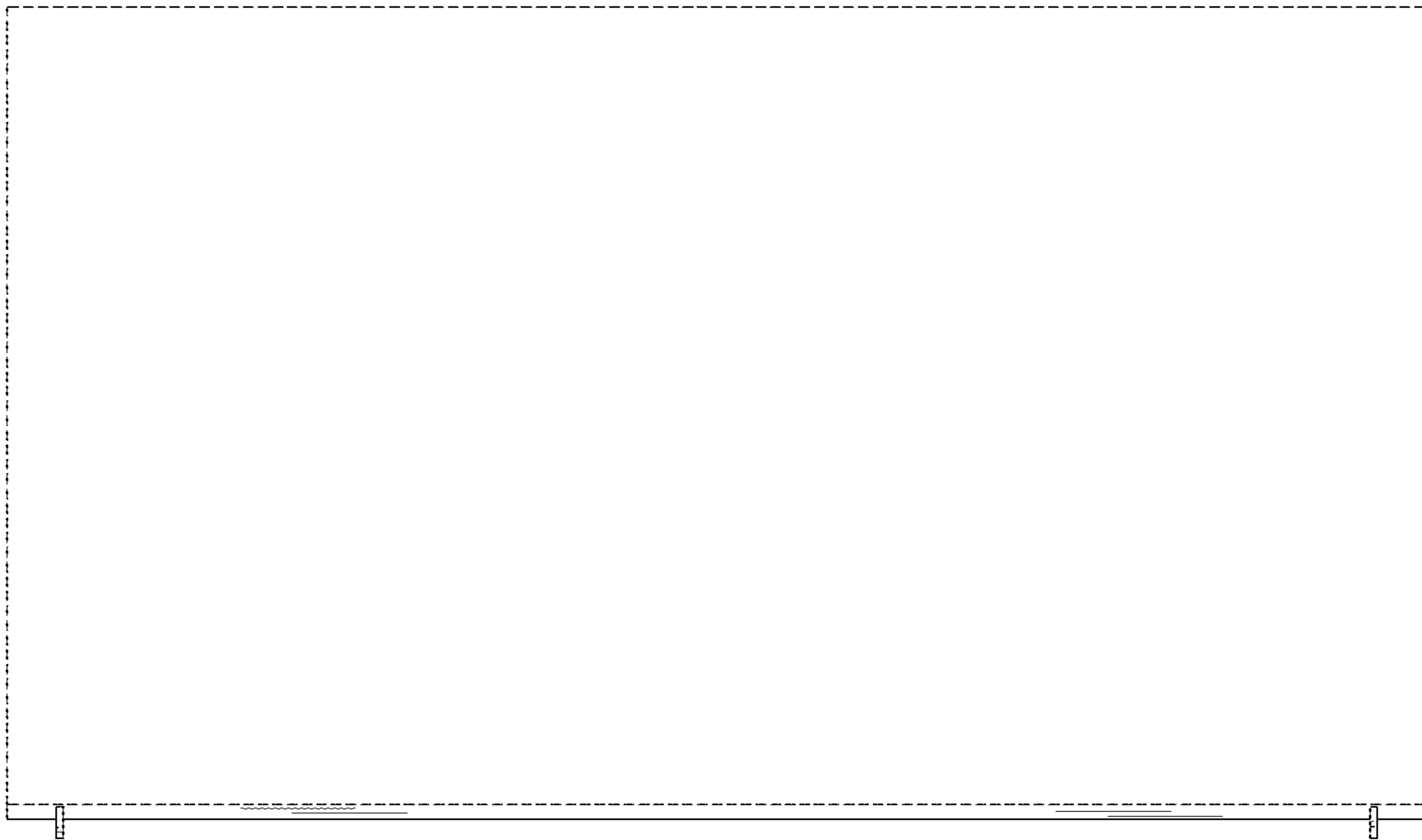
*FIG. 1*



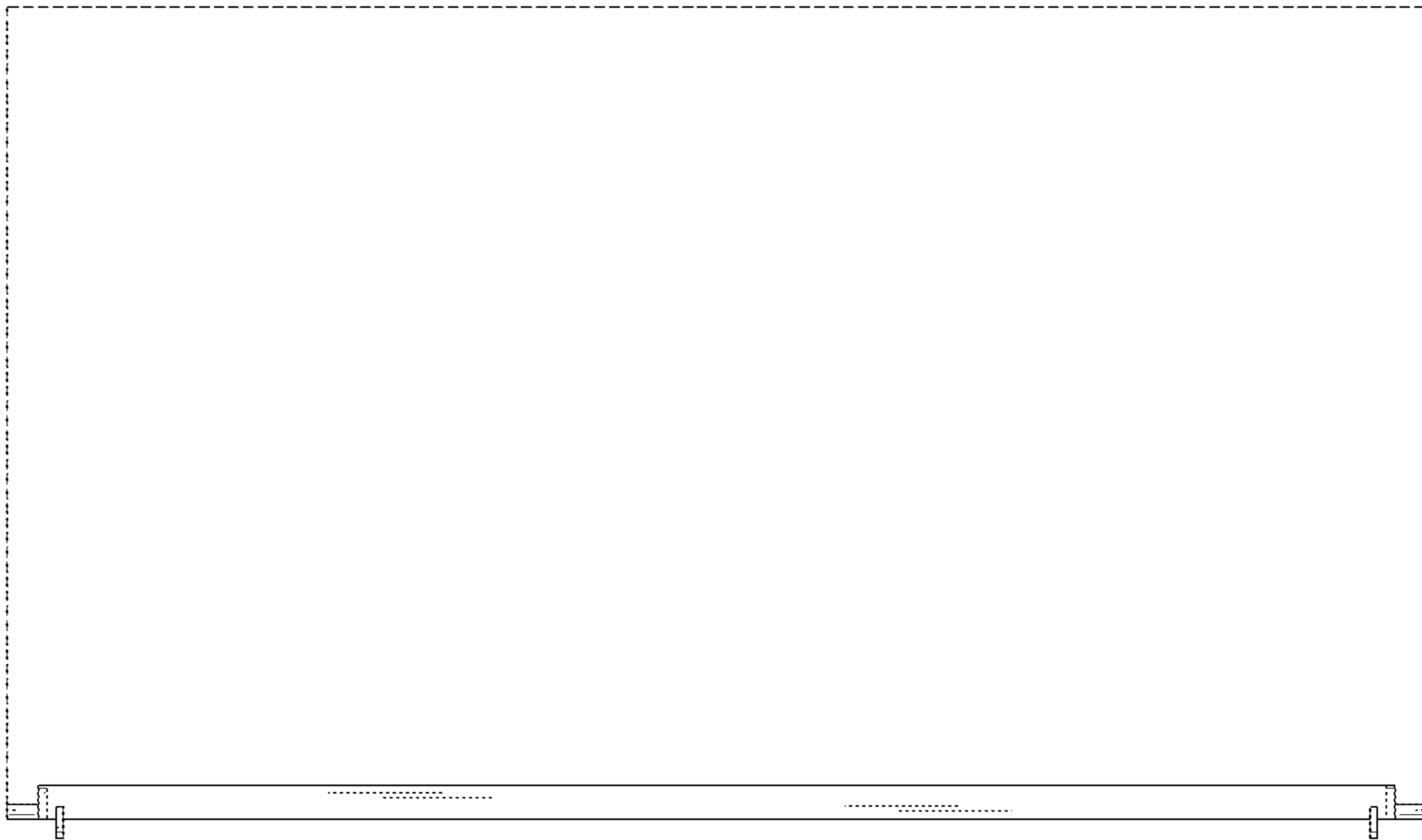
*FIG. 2*



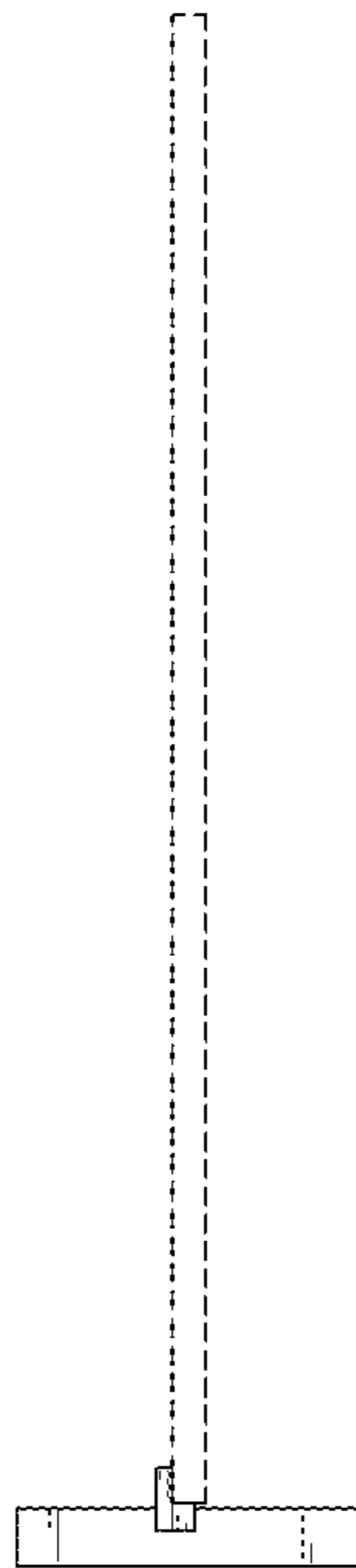
*FIG. 3*



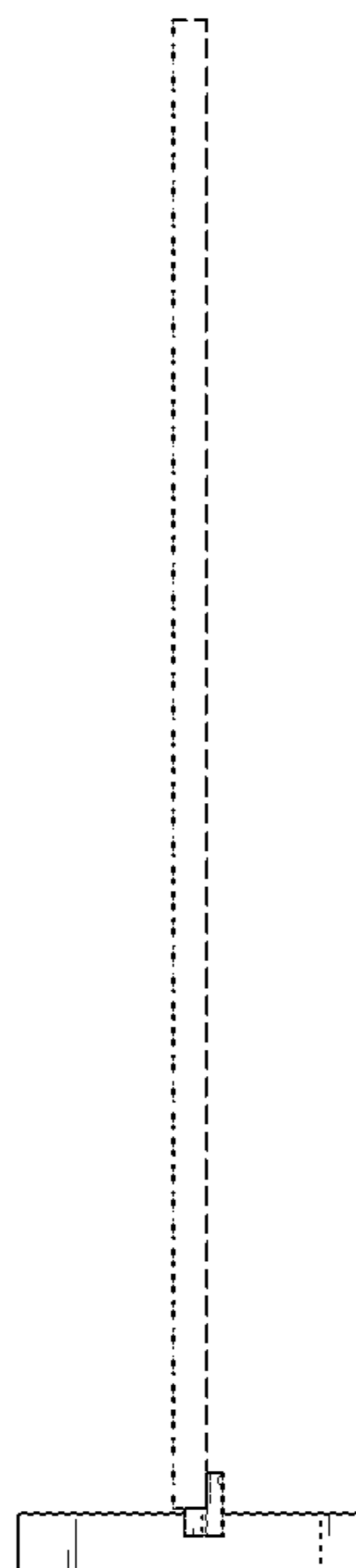
*FIG. 4*



*FIG. 5*

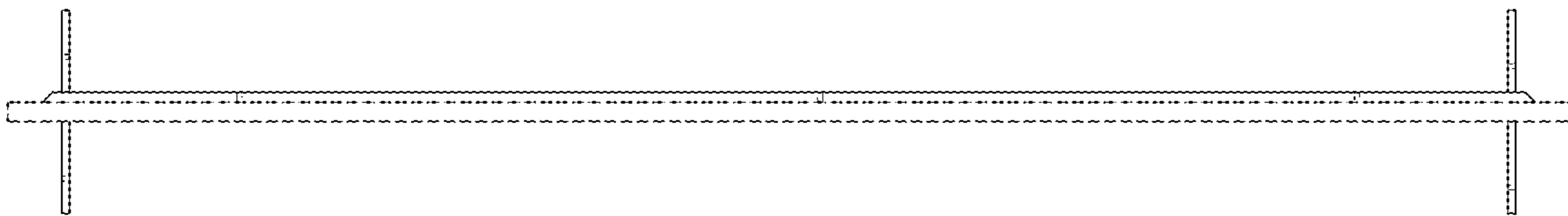


*FIG. 6*

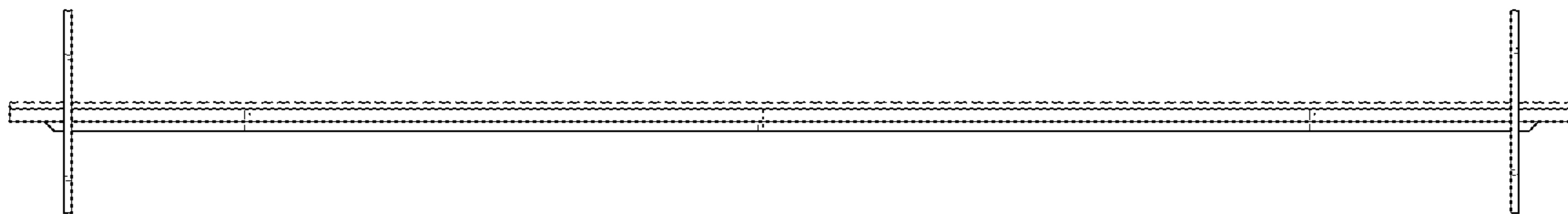




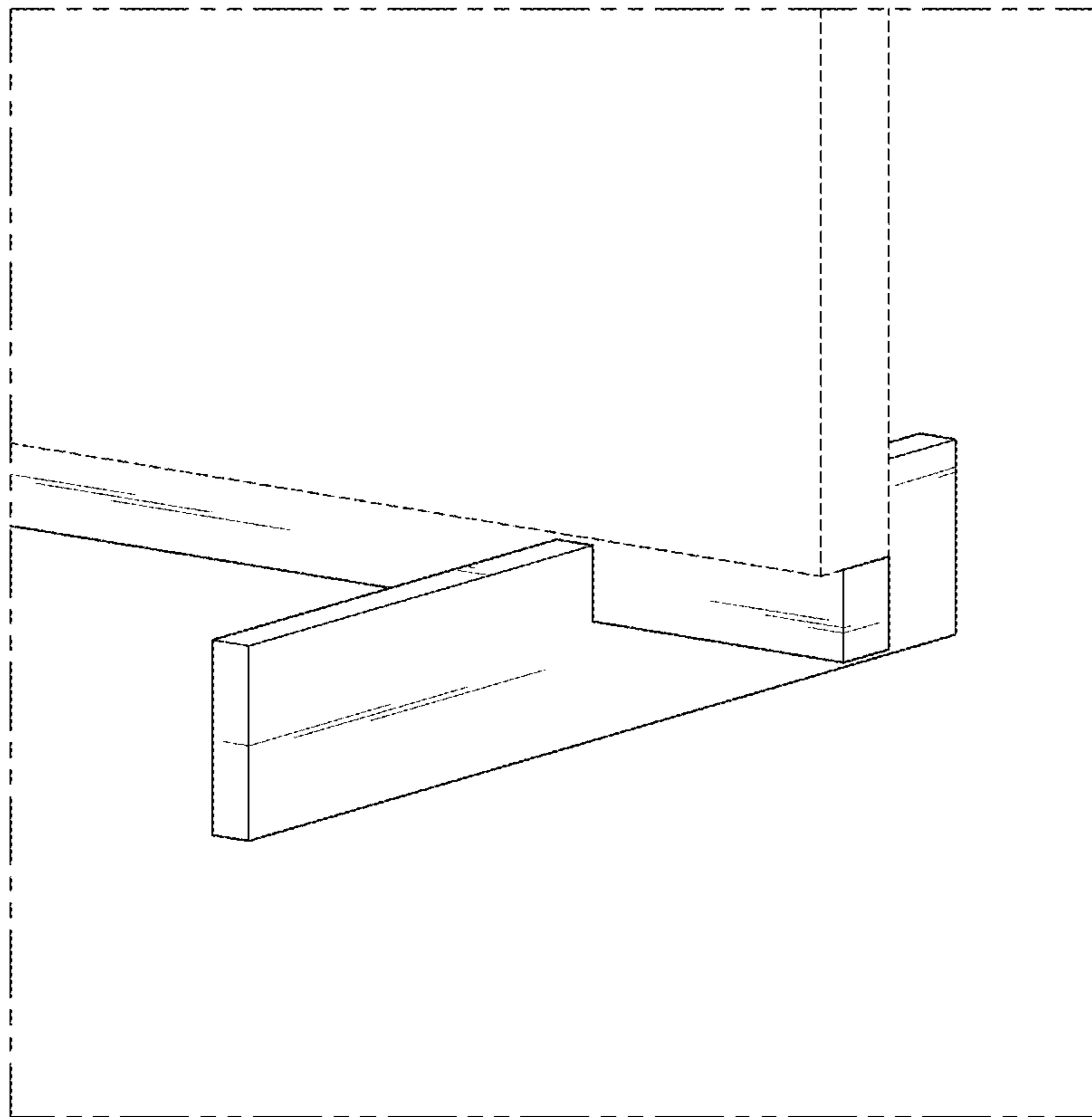
*FIG. 7*



*FIG. 8*



*FIG. 9*



*FIG. 10*

