



US00D981418S

(12) **United States Design Patent** (10) **Patent No.:** **US D981,418 S**  
**Lin** (45) **Date of Patent:** **\*\* Mar. 21, 2023**

(54) **TABLET CASE**  
(71) Applicant: **Guangzhou Roiskin Technology Company, Guangdong (CN)**  
(72) Inventor: **Yuying Lin, Guangdong (CN)**  
(73) Assignee: **Guangzhou Roiskin Technology Company, Guangzhou (CN)**  
(\*\*) Term: **15 Years**  
(21) Appl. No.: **29/800,620**  
(22) Filed: **Jul. 22, 2021**

D883,987 S \* 5/2020 Cheng ..... D14/440  
D897,348 S \* 9/2020 Liao ..... D14/440  
D898,036 S \* 10/2020 Cheng ..... D14/440  
D912,282 S \* 3/2021 Kim ..... D26/28  
D920,982 S \* 6/2021 Xu ..... D14/440  
D930,002 S \* 9/2021 Zhou ..... D14/440  
D937,275 S \* 11/2021 Cheng ..... D14/440  
D942,456 S \* 2/2022 Liao ..... D14/440  
D944,256 S \* 2/2022 Cheng ..... D14/440  
D946,579 S \* 3/2022 Tan ..... D14/440  
D949,153 S \* 4/2022 Chen ..... D14/440  
D951,959 S \* 5/2022 Qu ..... D14/440  
D967,829 S \* 10/2022 Lin ..... D14/440  
D967,830 S \* 10/2022 Cheng ..... D14/440  
D967,831 S \* 10/2022 Zeng ..... D14/440  
D970,510 S \* 11/2022 Cheng ..... D14/440  
2010/0123062 A1 \* 5/2010 Jones ..... F16M 11/16  
248/220.21  
2012/0104185 A1 \* 5/2012 Carroll ..... F16M 11/041  
248/145.6

(30) **Foreign Application Priority Data**

Jul. 1, 2021 (CN) ..... 202130412881.9

(51) **LOC (14) Cl.** ..... **14-02**  
(52) **U.S. Cl.**  
USPC ..... **D14/440**  
(58) **Field of Classification Search**  
USPC ..... D14/440, 447, 250; 361/679.55;  
206/45.23, 320, 45.2; 294/25;  
455/575.8; D3/294  
CPC ... G06F 1/1628; G06F 1/1626; A47B 23/044;  
A45C 11/00  
See application file for complete search history.

(56) **References Cited**

**U.S. PATENT DOCUMENTS**

D643,843 S \* 8/2011 Hsieh ..... D14/440  
D660,305 S \* 5/2012 Ho ..... D14/447  
D711,886 S \* 8/2014 Kerawala ..... D14/440  
9,074,725 B2 \* 7/2015 Trotsky ..... F16M 11/105  
D747,321 S \* 1/2016 London ..... D14/440  
D835,088 S \* 12/2018 Zhuang ..... D14/440  
D837,219 S \* 1/2019 Gao ..... D14/440  
D851,649 S \* 6/2019 Tan ..... D14/440  
D858,507 S \* 9/2019 Jang ..... D14/251

(Continued)

*Primary Examiner* — Cynthia R Underwood

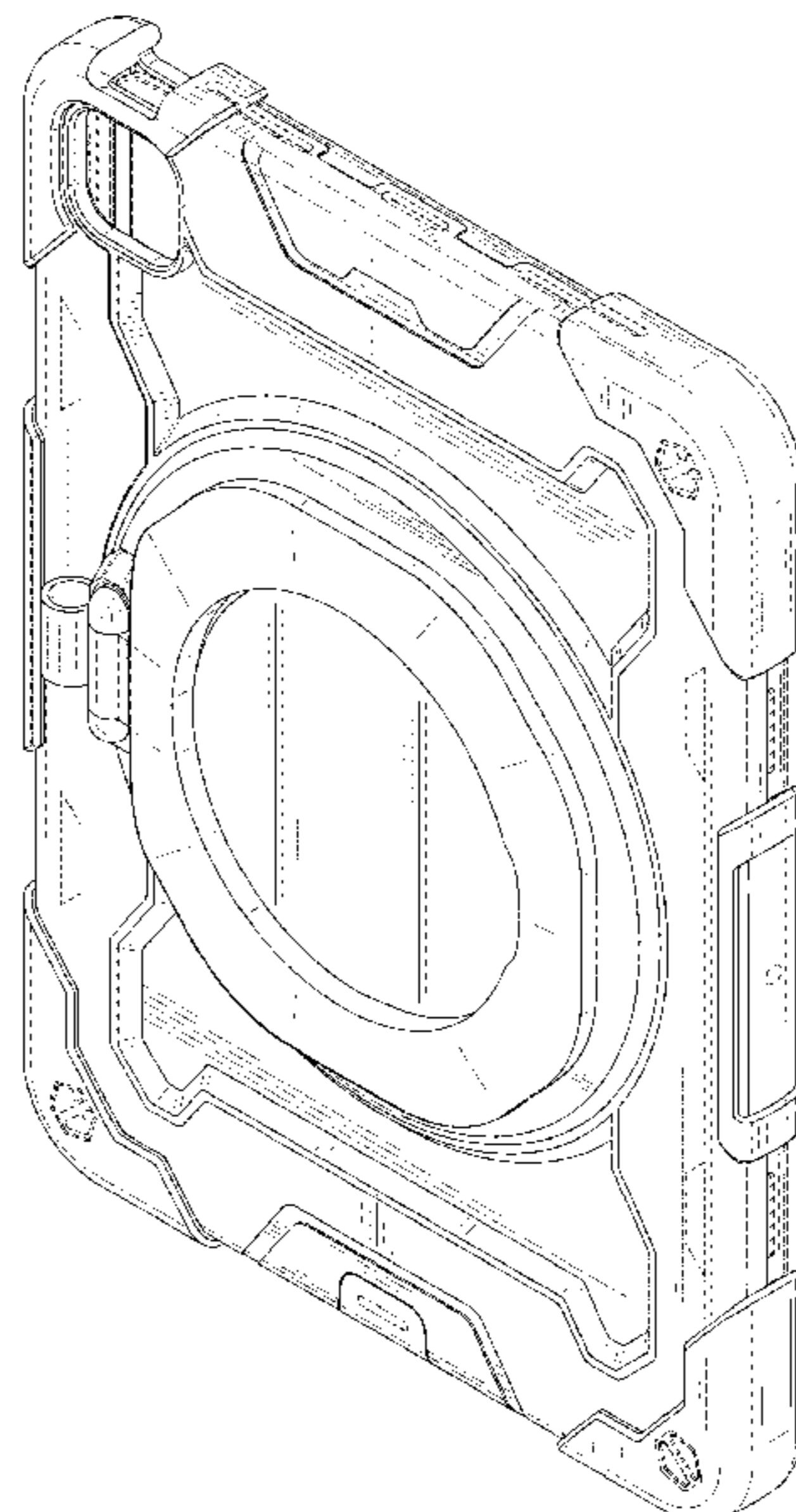
(57) **CLAIM**

The ornamental design for a tablet case, as shown and described.

**DESCRIPTION**

FIG. 1 is a top, front and right side perspective view of a tablet case showing my new design;  
FIG. 2 is a bottom, rear and left side perspective view thereof;  
FIG. 3 is a front elevational view thereof;  
FIG. 4 is a rear elevational view thereof;  
FIG. 5 is a left side view thereof;  
FIG. 6 is a right side view thereof;  
FIG. 7 is a top plan view thereof; and,  
FIG. 8 is a bottom plan view thereof.  
The broken lines in the drawings illustrate portions of the tablet case which form no part of the claimed design.

**1 Claim, 8 Drawing Sheets**



(56)

**References Cited**

U.S. PATENT DOCUMENTS

2015/0009610 A1\* 1/2015 London ..... G06F 1/163  
16/408  
2017/0196327 A1\* 7/2017 Ma ..... H01R 24/62

\* cited by examiner

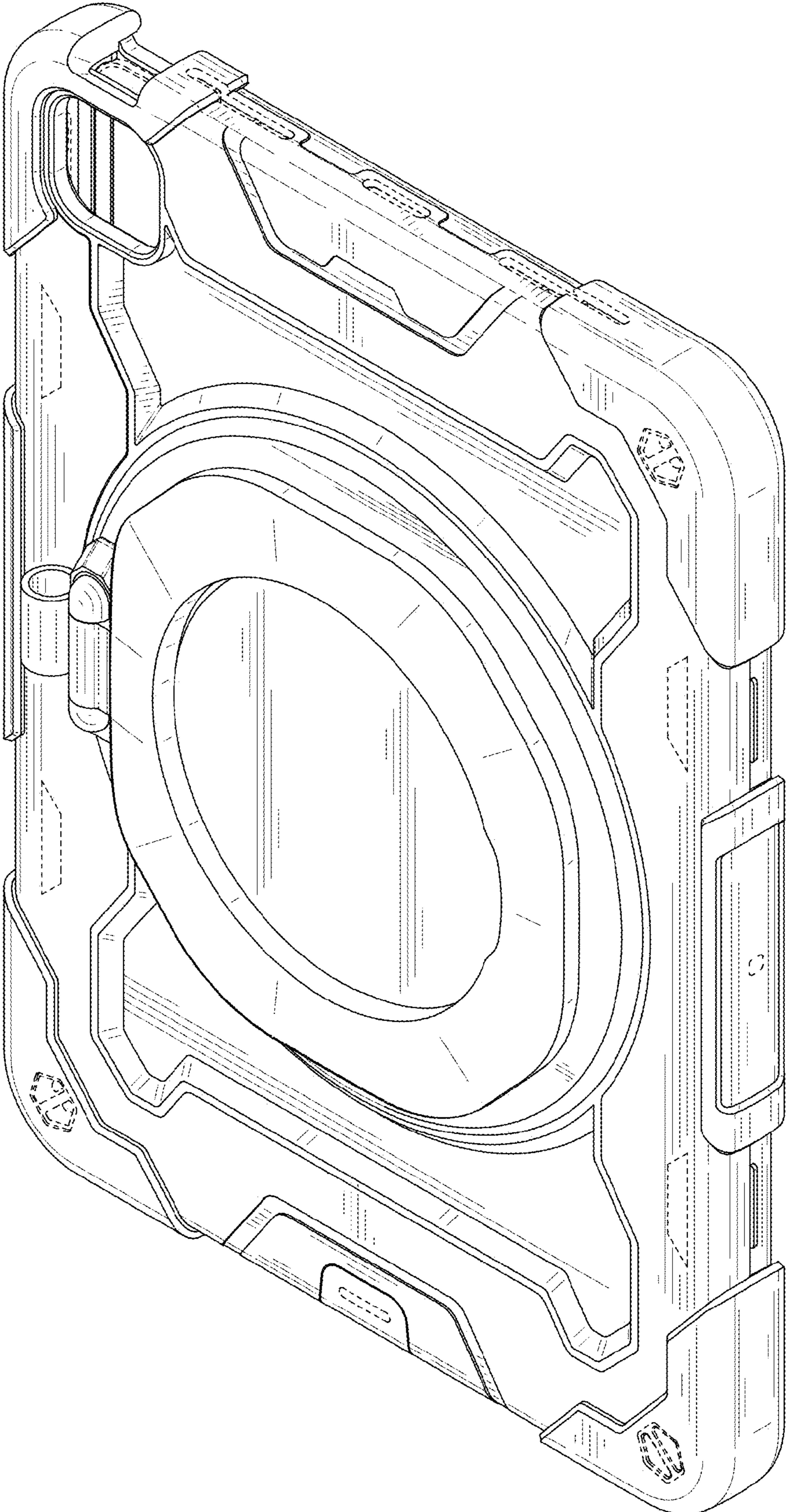


FIG. 1

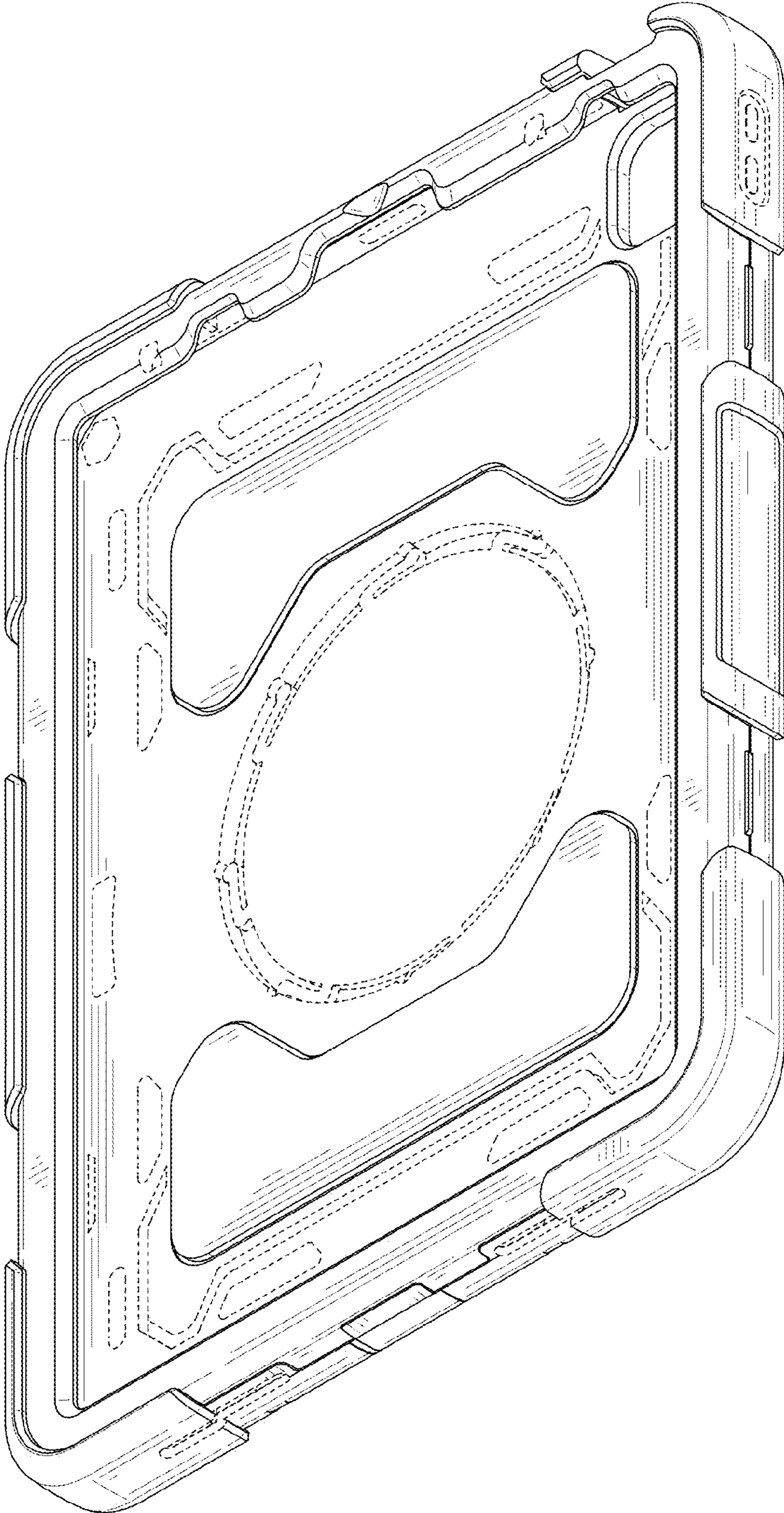


FIG. 2

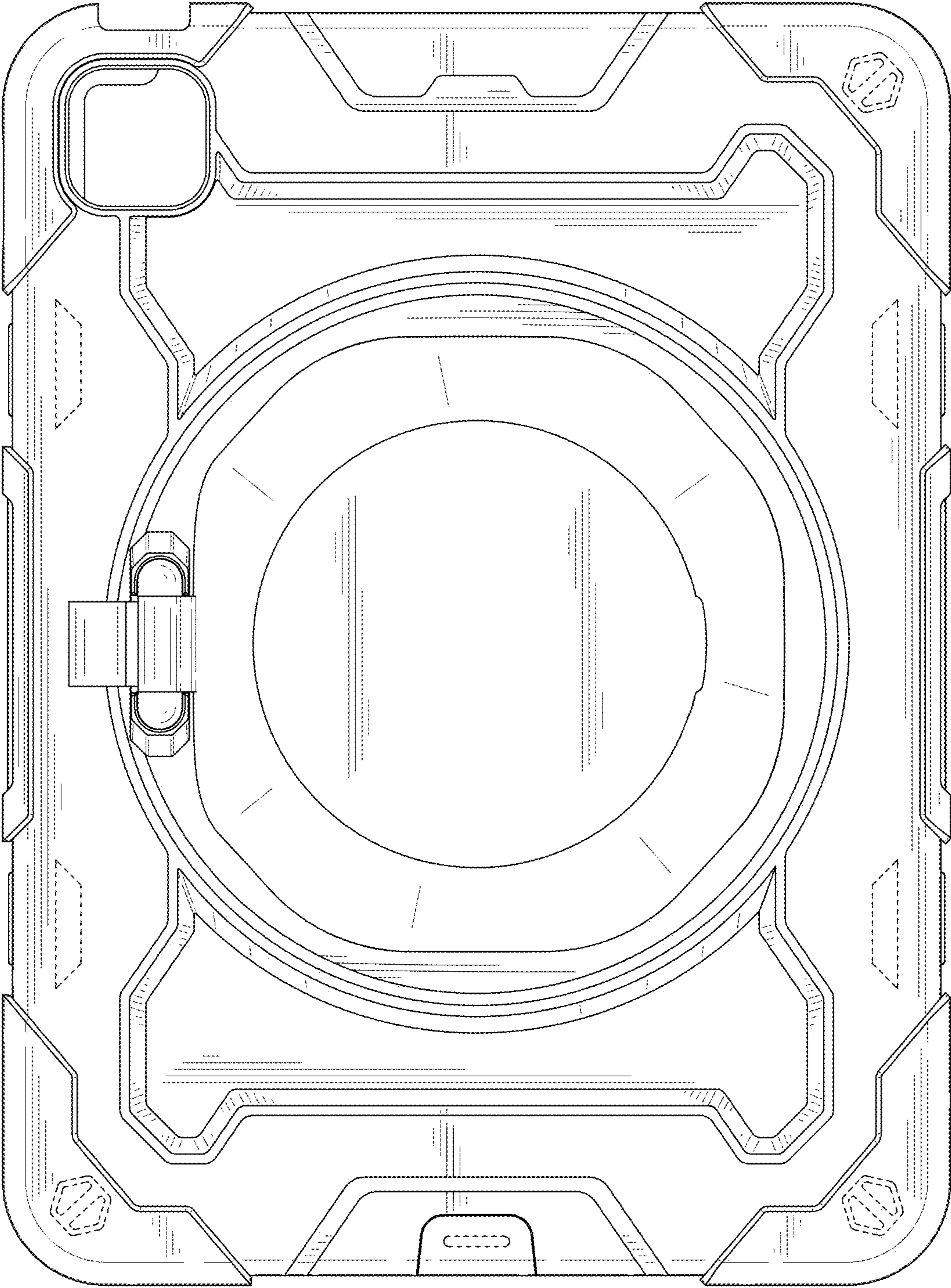


FIG. 3

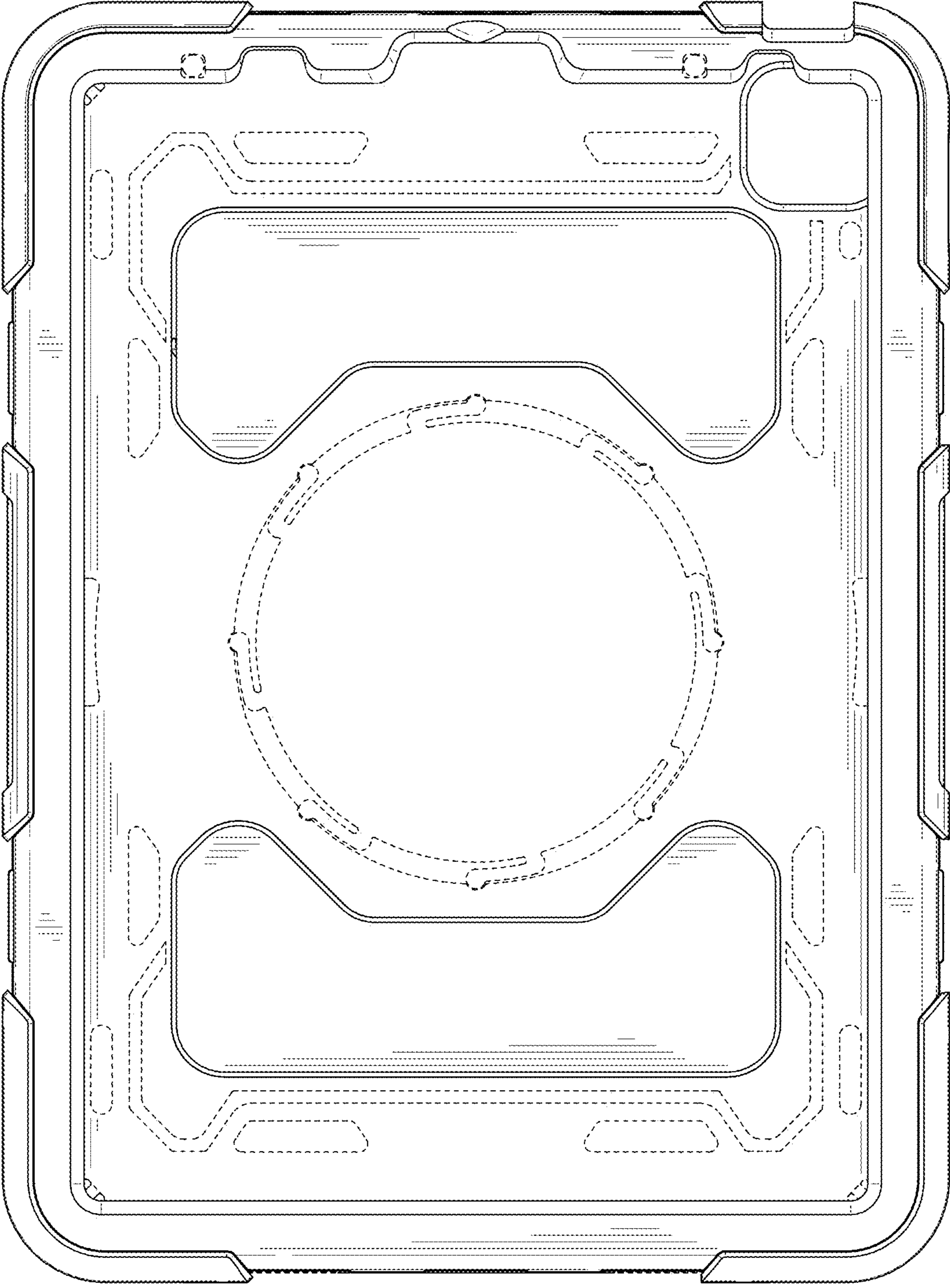


FIG. 4

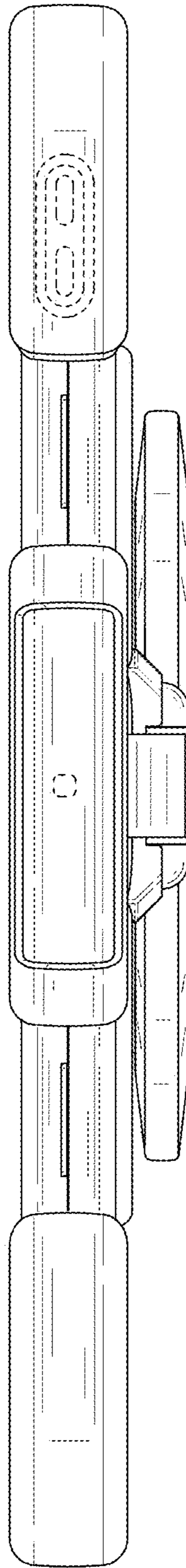


FIG. 5

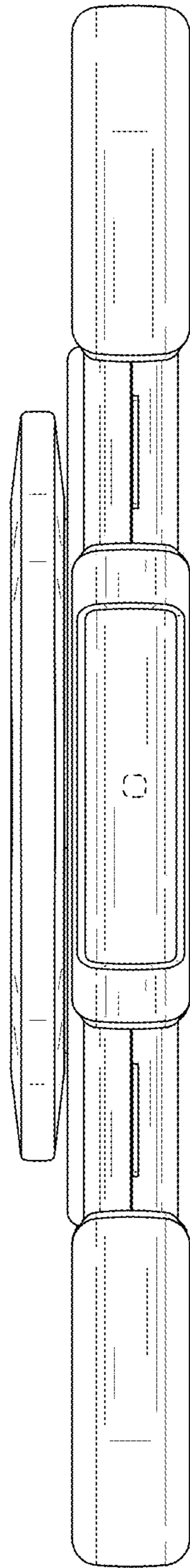


FIG. 6



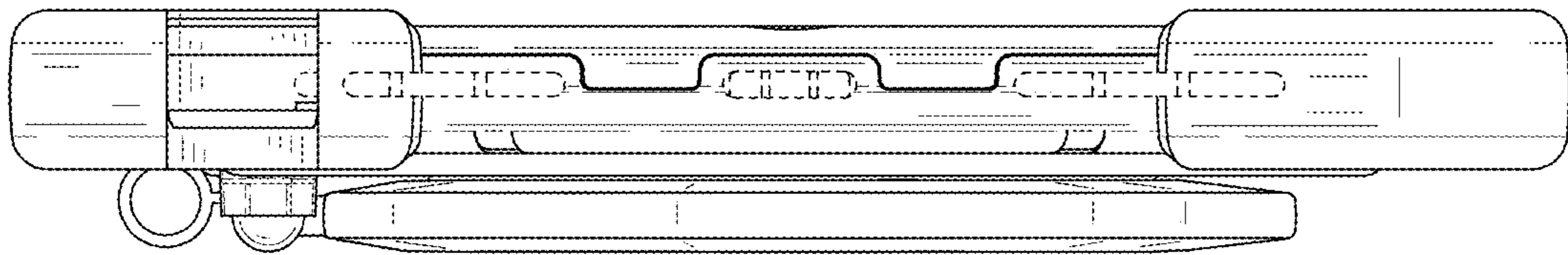


FIG. 7

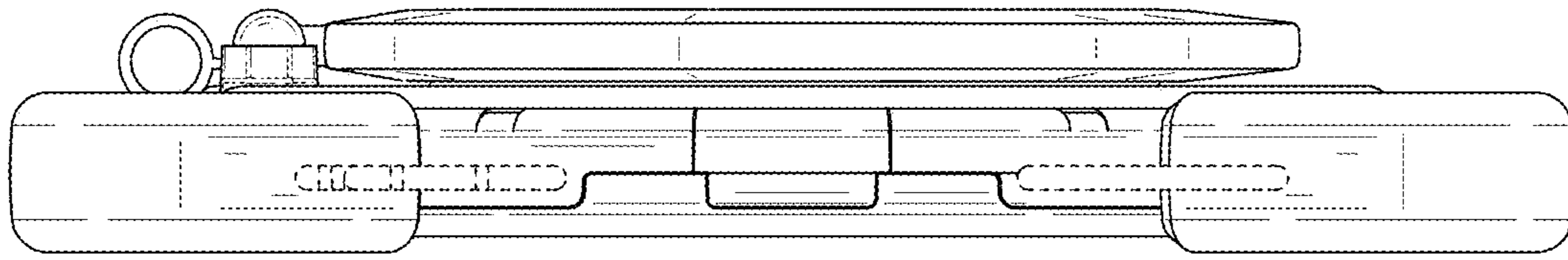


FIG. 8