



US00D981417S

(12) **United States Design Patent** (10) **Patent No.:** **US D981,417 S**
Shah et al. (45) **Date of Patent:** **** Mar. 21, 2023**

(54) **TABLET PROTECTIVE COVER**
(71) Applicant: **TATA CONSULTANCY SERVICES LIMITED**, Mumbai (IN)
(72) Inventors: **Viral Prakash Shah**, Mumbai (IN); **Shobhit Shukla**, Mumbai (IN); **Sachin Naik**, Mumbai (IN); **Ankush Sharma**, Mumbai (IN)
(73) Assignee: **TATA CONSULTANCY SERVICES LIMITED**
(**) Term: **15 Years**
(21) Appl. No.: **29/760,266**
(22) Filed: **Nov. 30, 2020**
(30) **Foreign Application Priority Data**

D649,144 S * 11/2011 Fathollahi D14/250
8,186,514 B2 * 5/2012 Bowers G06F 1/1628
206/320
D685,358 S * 7/2013 Armstrong D14/250
D685,786 S * 7/2013 Seoc D14/353
D690,292 S * 9/2013 Bibla D14/250
D709,510 S * 7/2014 Soare D14/440
D715,785 S * 10/2014 Jacob D14/250
D719,144 S * 12/2014 Eulette D14/250
D721,686 S * 1/2015 Jacob D14/250
D733,154 S * 6/2015 Armstrong D14/440
D733,696 S * 7/2015 Burgett D14/250
D742,869 S * 11/2015 Odhwani D14/250
D768,123 S * 10/2016 Armstrong D14/250
D770,458 S * 11/2016 Corcoran D14/440
D772,288 S * 11/2016 Montes D14/489
D775,198 S * 12/2016 Montes D14/489
D791,773 S * 7/2017 Moore D14/440
D794,626 S * 8/2017 Armstrong D14/250
D806,082 S * 12/2017 Armstrong D14/440
D808,973 S * 1/2018 Chen D14/440
D831,030 S * 10/2018 Gao D14/440

(Continued)

Jul. 1, 2020 (IN) 330620-001

(51) **LOC (14) Cl.** **14-02**
(52) **U.S. Cl.**
USPC **D14/440**
(58) **Field of Classification Search**
USPC D14/440, 447, 250, 316; 361/679.55;
206/45.23, 320, 45.2; 294/25;
455/575.8; D3/289, 301, 283, 265, 243,
D3/249, 294, 284, 274, 303, 266, 203.1,
D3/315, 276
CPC ... G06F 1/1628; G06F 1/1626; A47B 23/044;
A45C 11/00; A45C 13/02; H04B 1/3888
See application file for complete search history.

(56) **References Cited**

U.S. PATENT DOCUMENTS

D597,052 S * 7/2009 Kim D14/138 AB
D606,986 S * 12/2009 de Jong D3/201
D634,314 S * 3/2011 Fahrendorff D14/250

Primary Examiner — Cynthia R Underwood
(74) *Attorney, Agent, or Firm* — Hayes Soloway P.C.

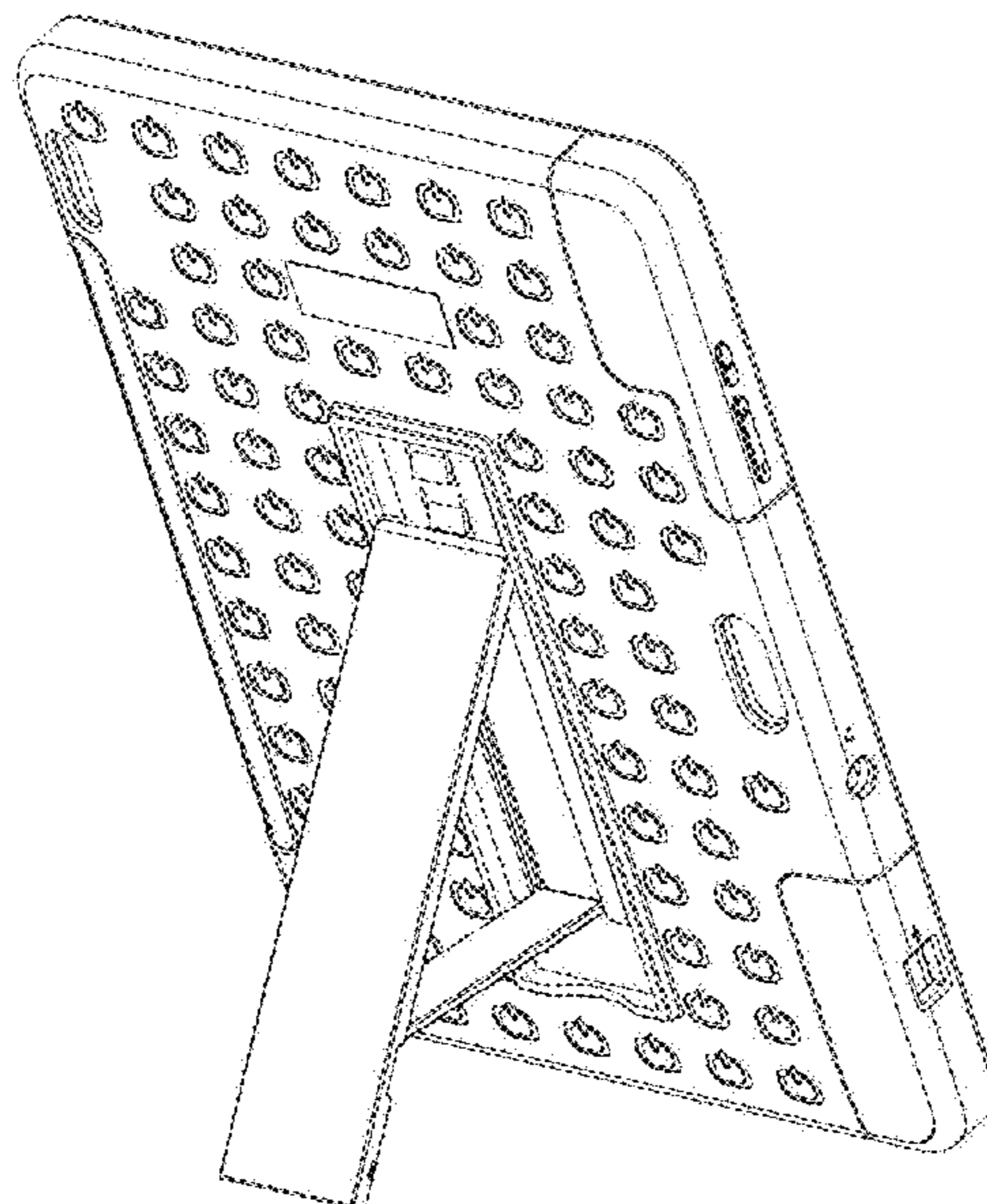
(57) **CLAIM**

We claim the ornamental design for a tablet protective cover, as shown and described.

DESCRIPTION

FIG. 1 is a front view of a tablet protective cover;
FIG. 2 is a rear view thereof;
FIG. 3 is a top view thereof;
FIG. 4 is a left side view thereof;
FIG. 5 is a left side view with the kick stand in an extended position;
FIG. 6 is a bottom perspective view with the kick stand in an extended position; and,
FIG. 7 is a rear perspective view with the kick stand in an extended position.

1 Claim, 7 Drawing Sheets



(56)

References Cited

U.S. PATENT DOCUMENTS

D832,269 S * 10/2018 Cheng D14/440
 D832,271 S * 10/2018 Cheng D14/440
 10,148,307 B2 * 12/2018 Shannon, III G06F 1/1628
 D843,377 S * 3/2019 Tang D14/440
 D844,621 S * 4/2019 Chen D14/440
 D847,817 S * 5/2019 Cheng D14/440
 D850,451 S * 6/2019 Chen D14/440
 D850,453 S * 6/2019 Wu D14/440
 D851,648 S * 6/2019 Tan D14/440
 D852,203 S * 6/2019 Rui D14/440
 D861,665 S * 10/2019 Li D14/250
 D868,071 S * 11/2019 Liu D14/440
 D868,788 S * 12/2019 Weng D14/440
 D868,789 S * 12/2019 Weng D14/440
 D868,791 S * 12/2019 Weng D14/440
 D872,093 S * 1/2020 Xu D14/440
 D875,089 S * 2/2020 Hemesath D14/250
 D879,788 S * 3/2020 Gao D14/440
 D879,790 S * 3/2020 Donachy D14/444

D885,399 S * 5/2020 Chen D14/440
 D885,403 S * 5/2020 Ma D14/440
 D890,156 S * 7/2020 Kim D14/250
 D892,803 S * 8/2020 Armstrong D14/440
 D900,828 S * 11/2020 Chen D14/440
 D916,708 S * 4/2021 Ke D14/440
 D917,491 S * 4/2021 Cheng D14/440
 D917,496 S * 4/2021 Chen D14/440
 D930,002 S * 9/2021 Zhou D14/440
 D951,959 S * 5/2022 Qu D14/440
 D972,573 S * 12/2022 Peng D14/440
 D973,667 S * 12/2022 Ma D14/440
 2011/0297566 A1 * 12/2011 Gallagher F16M 11/2021
 206/320
 2019/0142992 A1 * 5/2019 Davidson C08G 18/10
 424/445
 2019/0144163 A1 * 5/2019 Lim B65D 19/385
 108/53.5
 2019/0149808 A1 * 5/2019 Ng H04N 13/327
 348/59
 2019/0275714 A1 * 9/2019 Kanoh B29C 45/14065

* cited by examiner

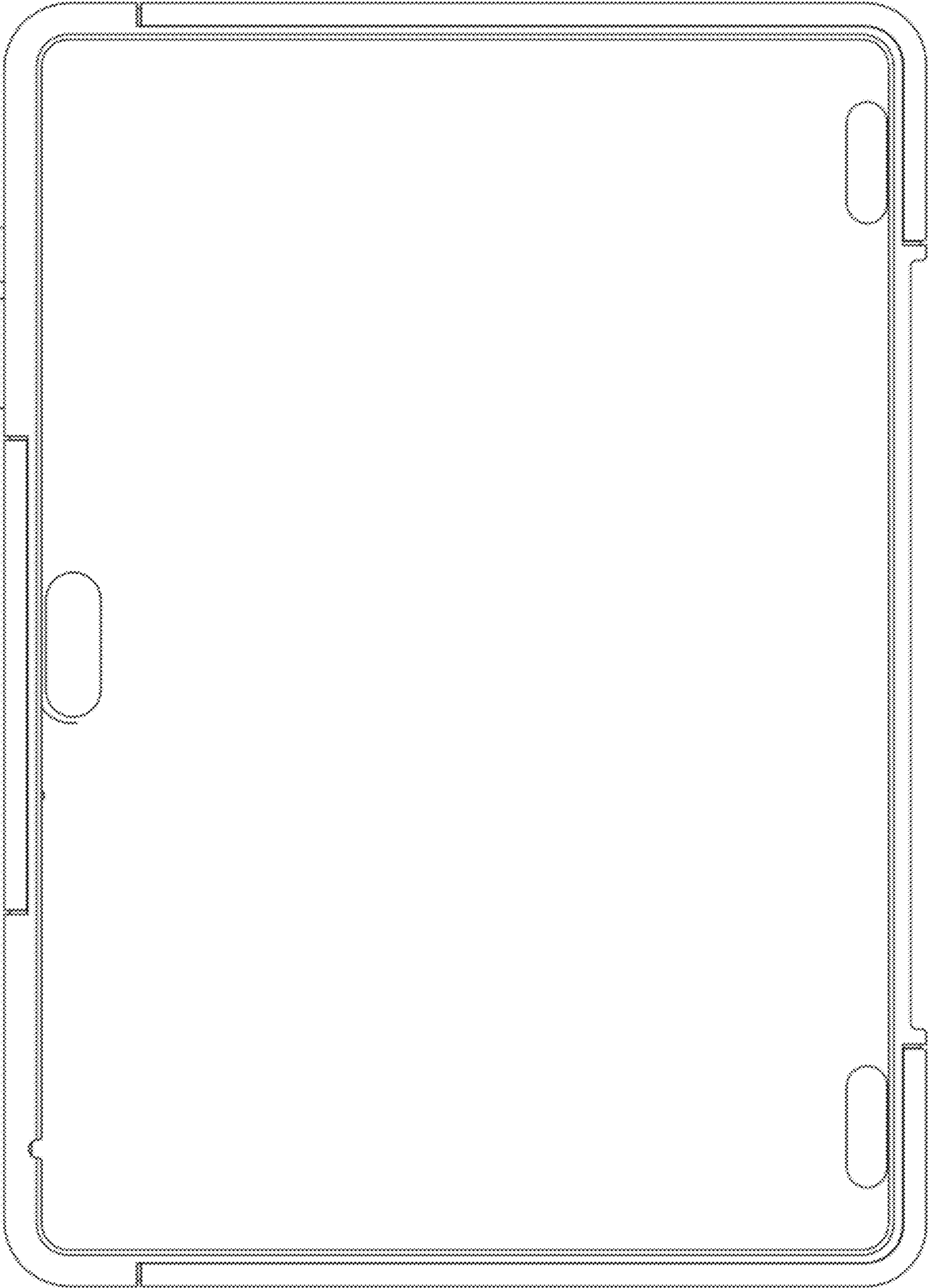


FIG. 1

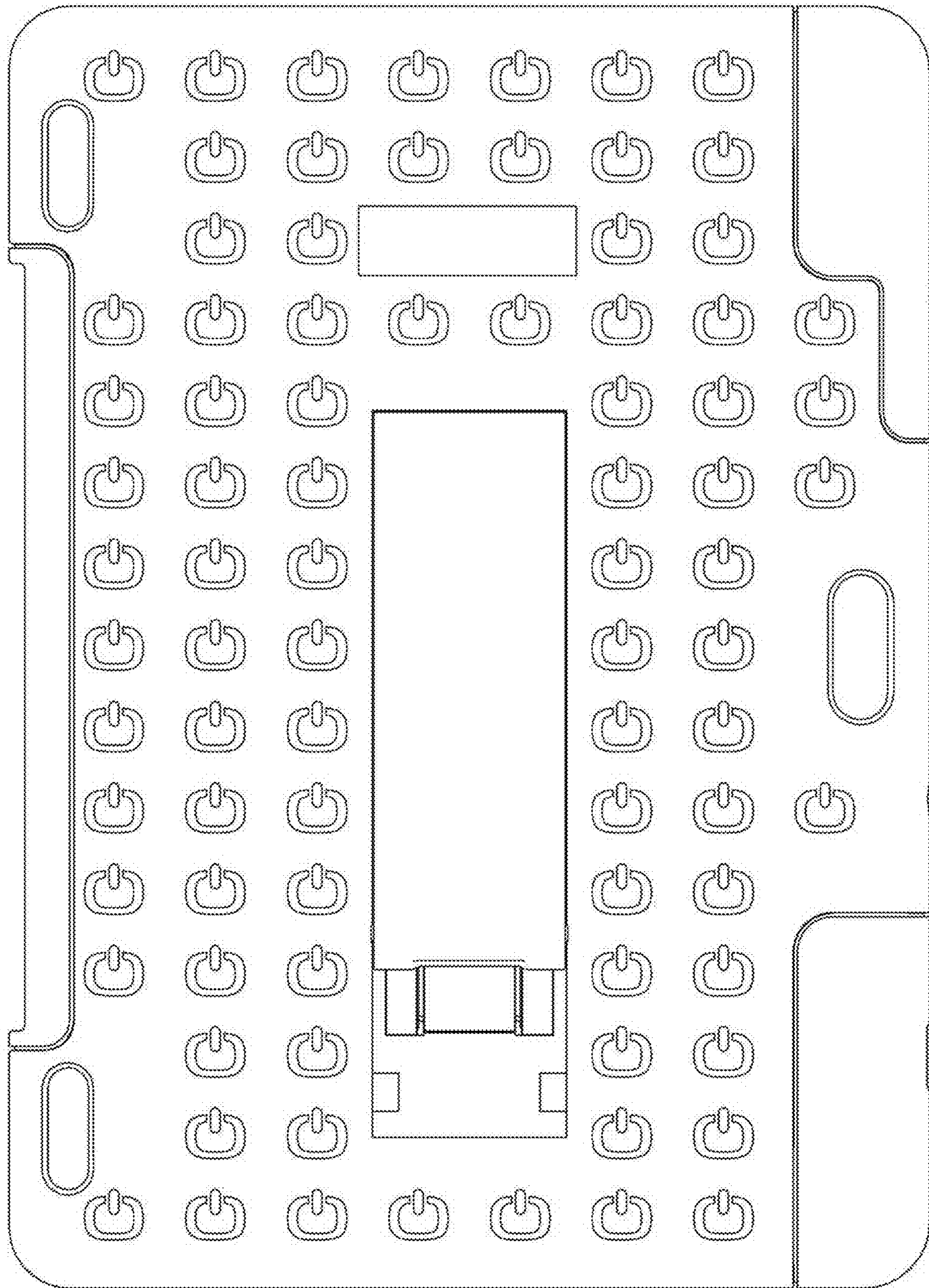


FIG. 2

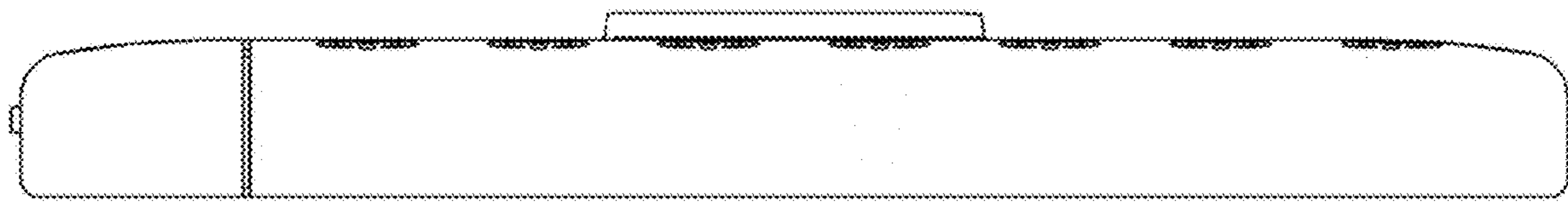


FIG. 3

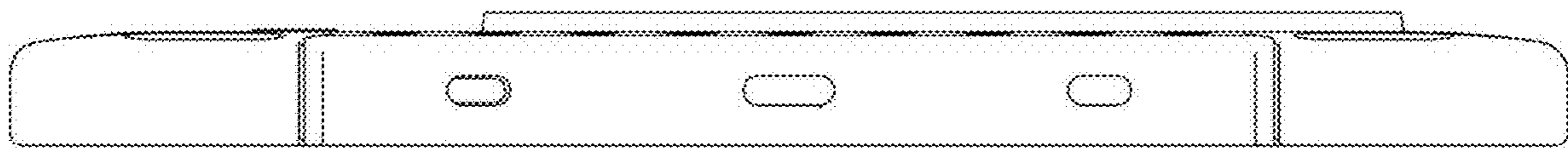


FIG. 4

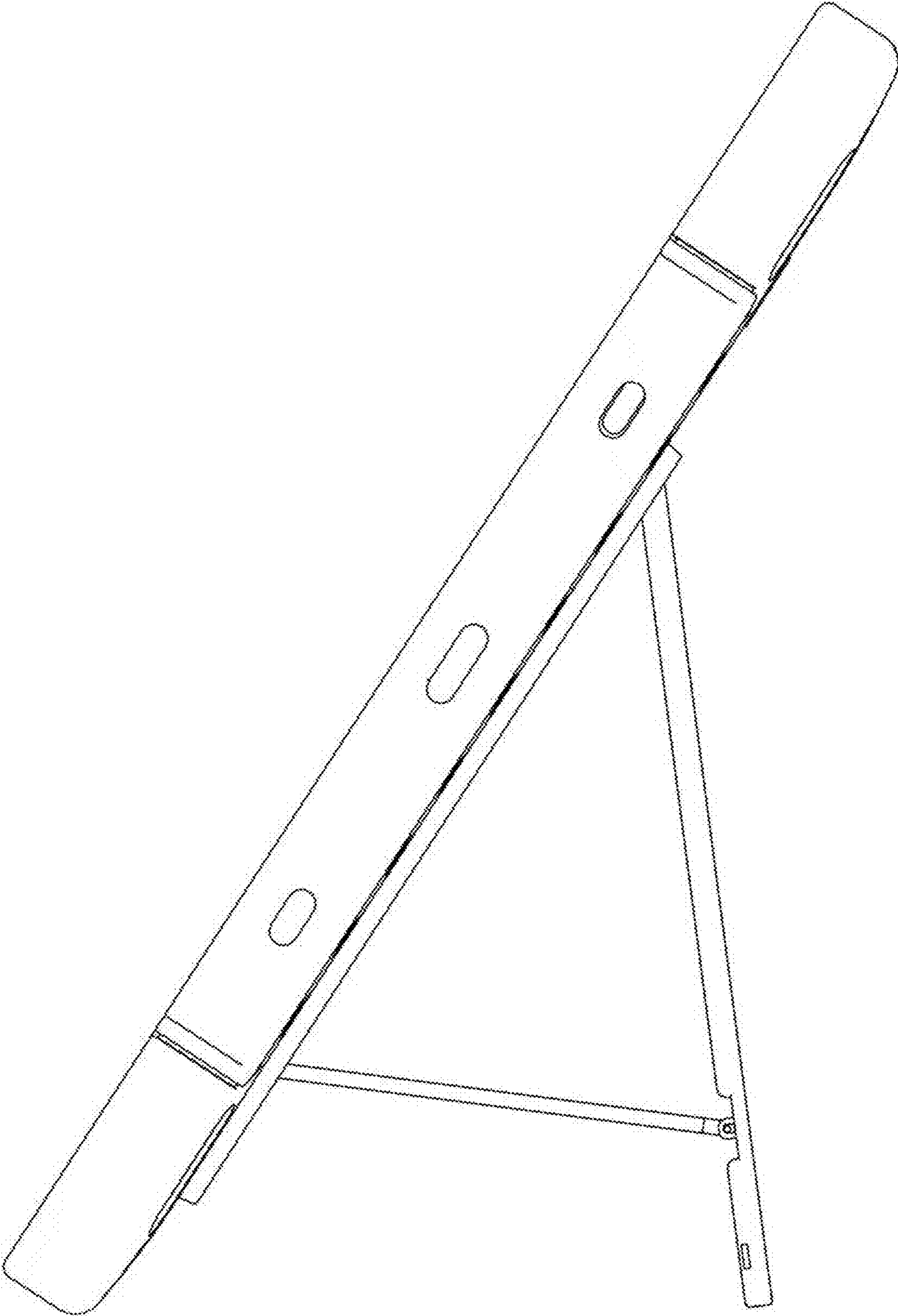


FIG. 5

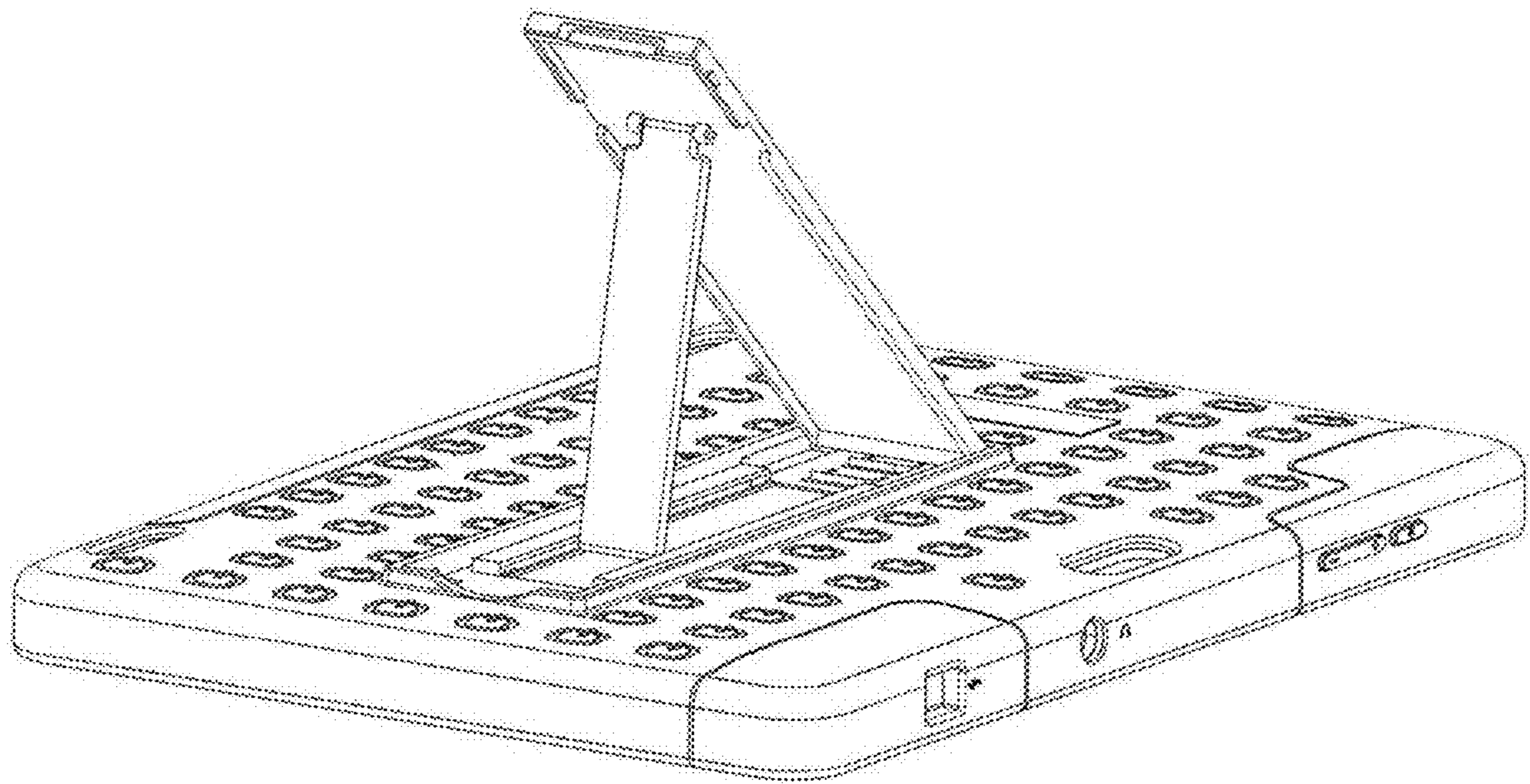


FIG. 6

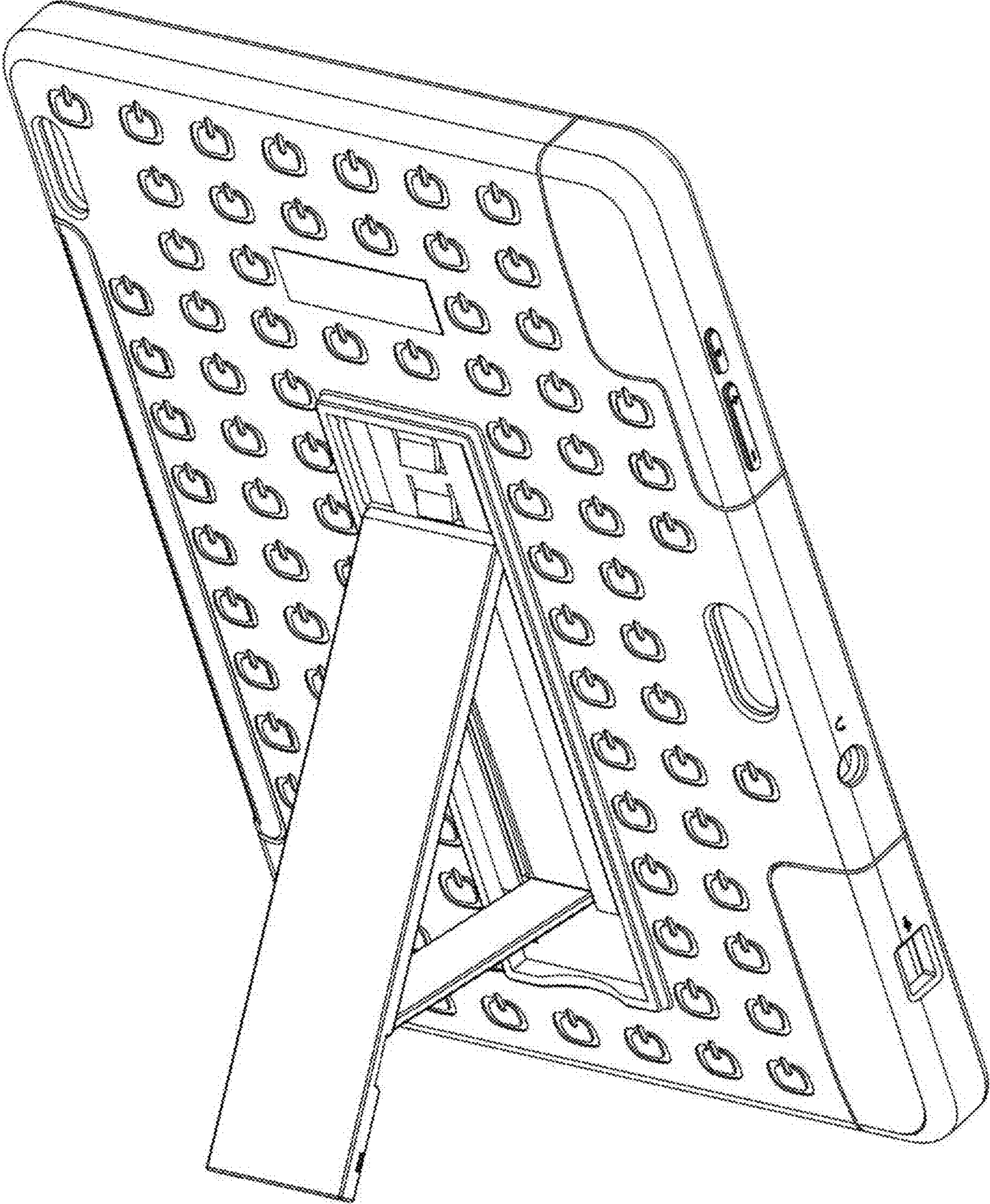


FIG. 7