



US00D981416S

(12) **United States Design Patent**
Luo

(10) **Patent No.:** **US D981,416 S**
(45) **Date of Patent:** **** Mar. 21, 2023**

- (54) **USB C ADAPTER**
- (71) Applicant: **Xingxing Luo**, Shenzhen (CN)
- (72) Inventor: **Xingxing Luo**, Shenzhen (CN)
- (**) Term: **15 Years**
- (21) Appl. No.: **29/859,150**
- (22) Filed: **Nov. 8, 2022**
- (51) **LOC (14) Cl.** **14-02**
- (52) **U.S. Cl.**
USPC **D14/433**
- (58) **Field of Classification Search**
USPC D14/240, 242, 356, 358, 363, 365, 367,
D14/370, 432-437, 439, 498, 125, 366,
D14/168, 496; D13/147, 164, 123, 133,
D13/146, 110, 199, 103, 162, 159, 160,
D13/184; 361/683, 684, 686, 724, 735,
361/737, 752; D18/40
CPC H01R 25/006; H01R 27/02; H01R 31/005;
G06F 13/4022; G06F 13/382; G06F
1/1632; G06F 1/1684; G06F 1/20; G06F
1/1607
See application file for complete search history.

- D889,469 S * 7/2020 Zhang D14/433
- D894,132 S * 8/2020 Zhan D13/147
- D895,625 S * 9/2020 Turksu D14/433
- D911,346 S * 2/2021 Turksu D14/433
- D919,628 S * 5/2021 Ma D14/433
- D947,185 S * 3/2022 Imaizumi D10/46
- D947,195 S * 3/2022 Feng D14/433

* cited by examiner

Primary Examiner — Austin Murphy

(57) **CLAIM**

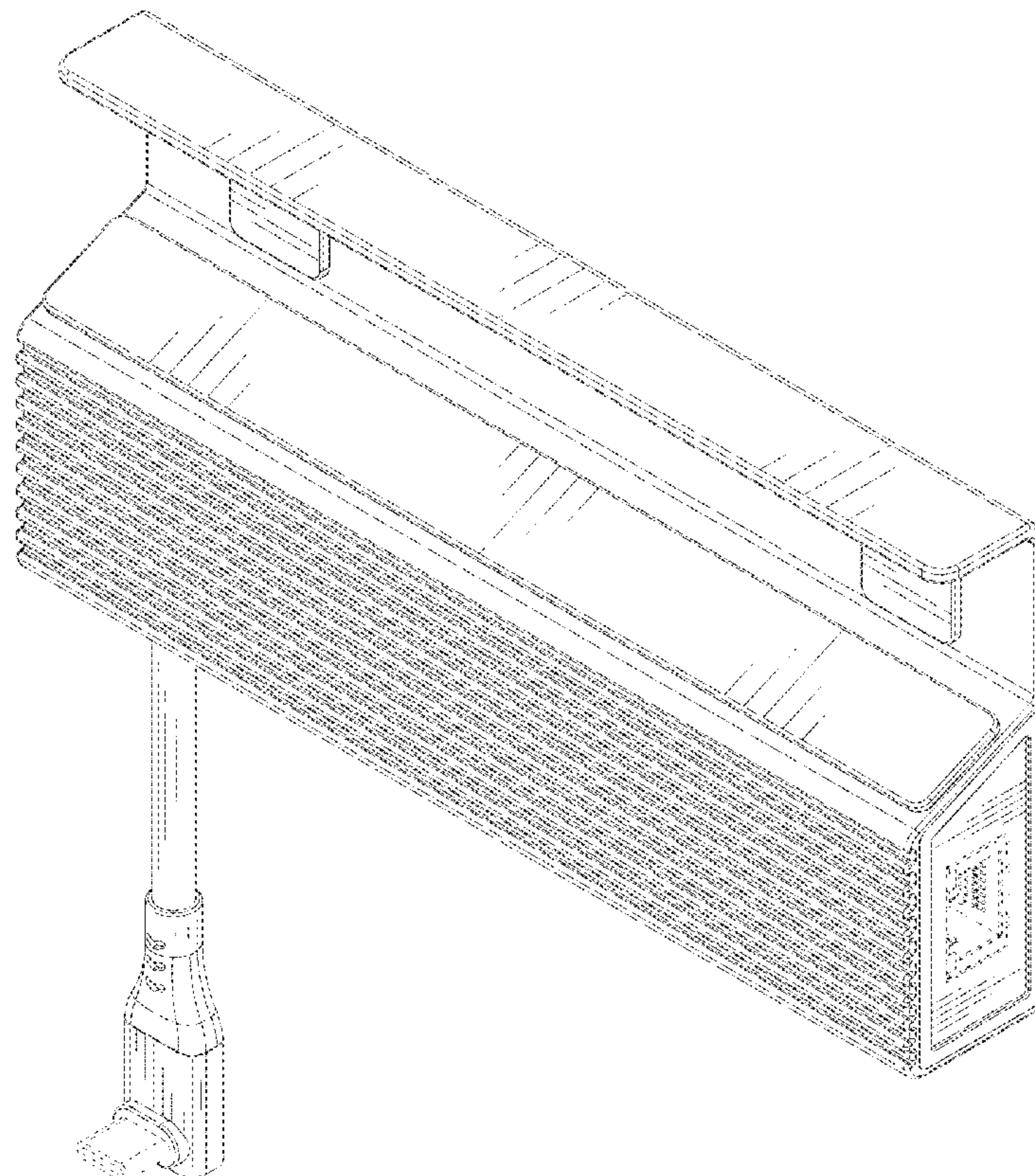
The ornamental design for a USB C adapter, as shown and described.

DESCRIPTION

FIG. 1 is a front perspective view of a USB C adapter, showing my new design;
 FIG. 2 is a front view thereof;
 FIG. 3 is a rear view thereof;
 FIG. 4 is a left side view thereof;
 FIG. 5 is a right side view thereof;
 FIG. 6 is a top view thereof; and,
 FIG. 7 is a bottom view thereof.
 The broken lines in the drawings illustrate the portions of the USB C adapter, which form no part of the claimed design.

1 Claim, 7 Drawing Sheets

- (56) **References Cited**
U.S. PATENT DOCUMENTS
D832,261 S * 10/2018 Mielnik D14/433
D886,825 S 6/2020 Zhang et al.



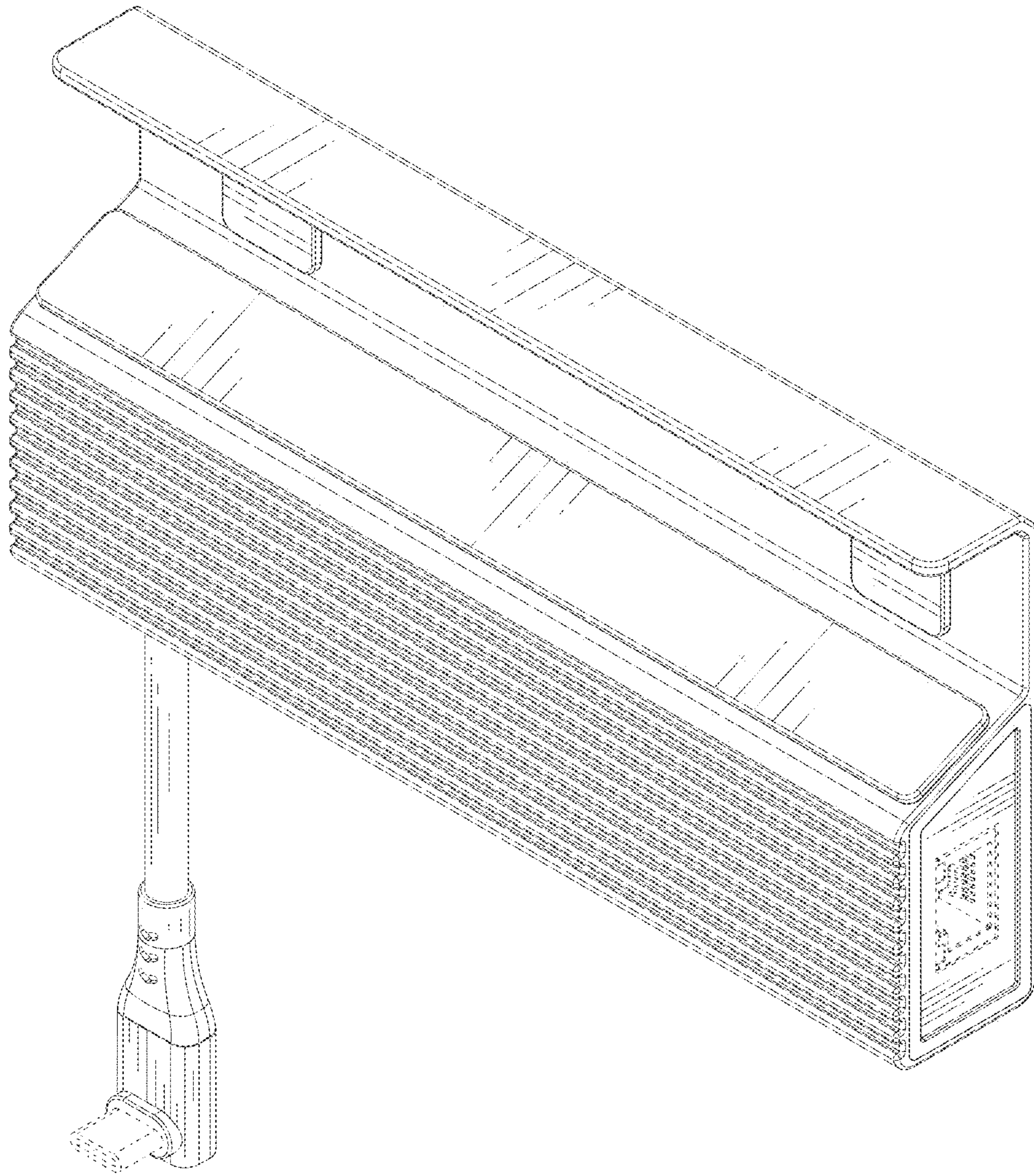


FIG. 1

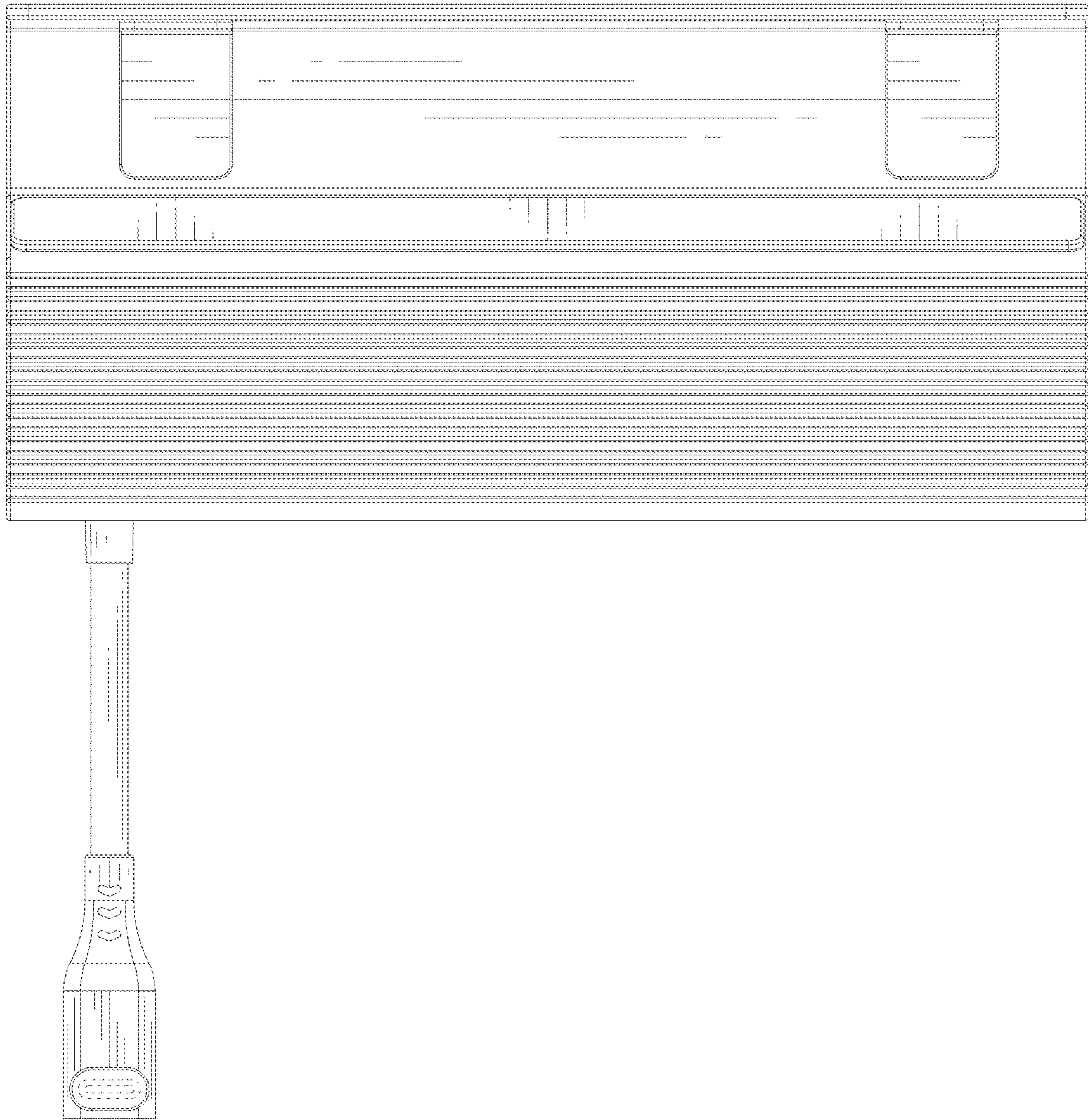


FIG. 2

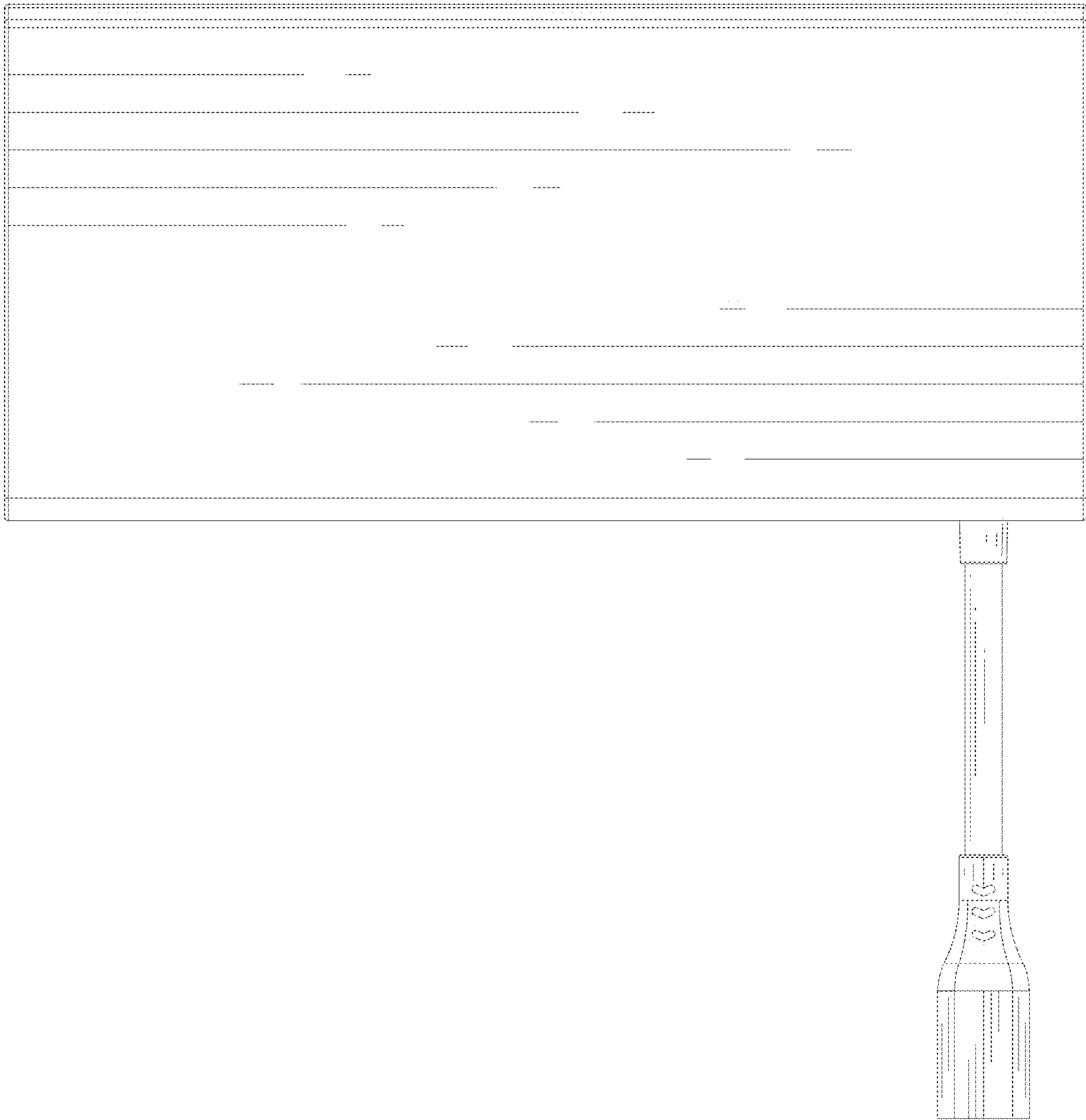


FIG. 3

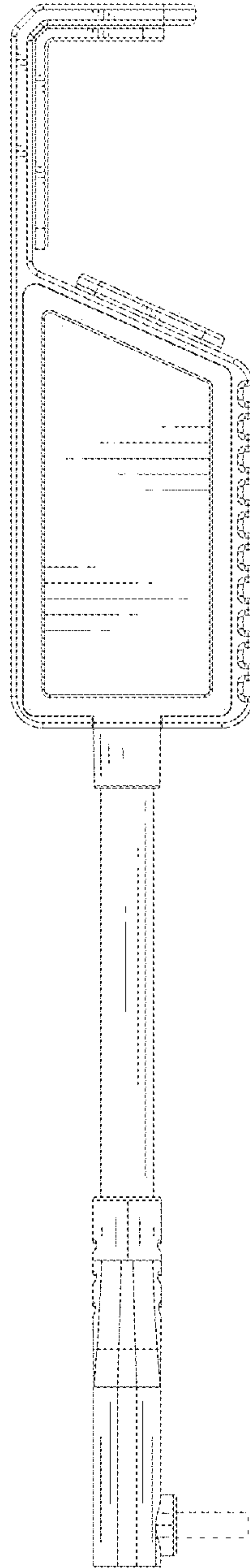


FIG. 4

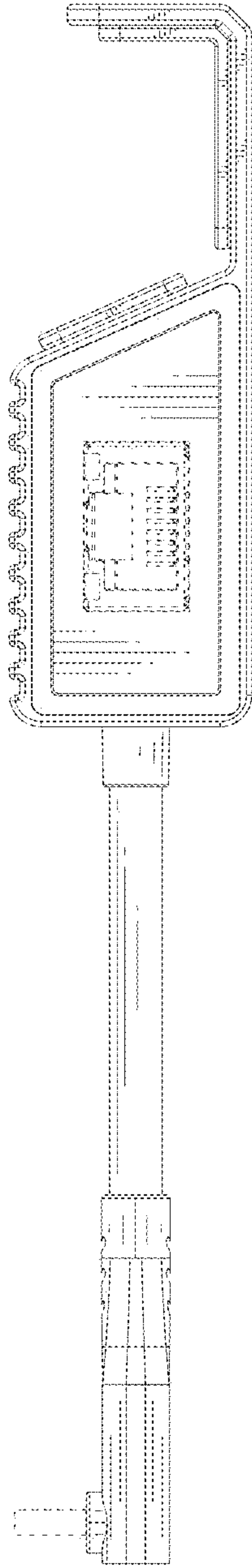


FIG. 5

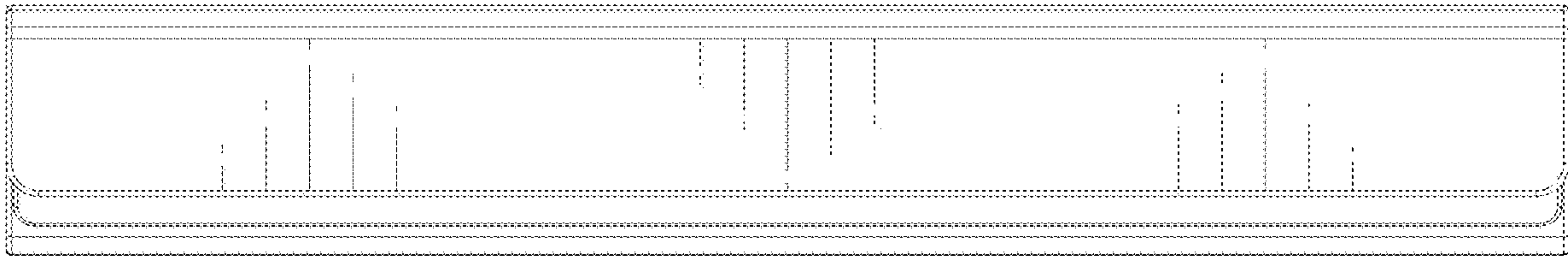


FIG. 6

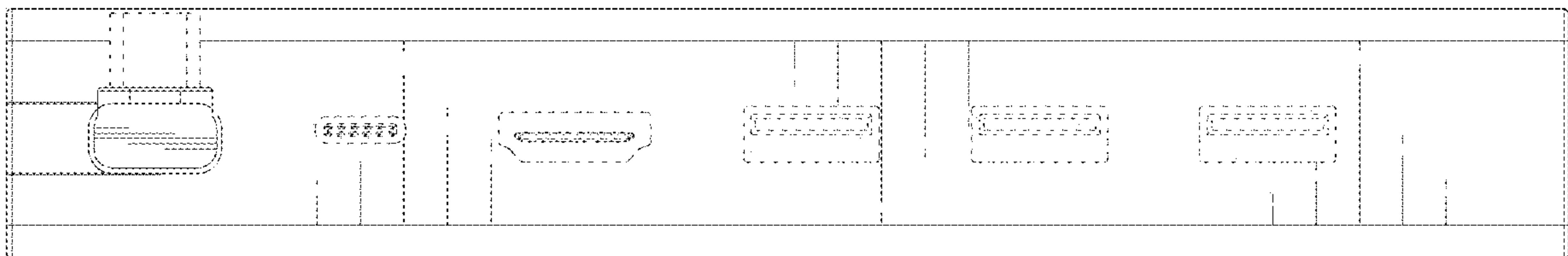


FIG. 7