



US00D981414S

(12) **United States Design Patent**
Cai

(10) **Patent No.:** **US D981,414 S**
(45) **Date of Patent:** **** Mar. 21, 2023**

- (54) **STYLUS**
- (71) Applicant: **Shiru Cai**, Shenzhen (CN)
- (72) Inventor: **Shiru Cai**, Shenzhen (CN)
- (**) Term: **15 Years**
- (21) Appl. No.: **29/845,030**
- (22) Filed: **Jul. 4, 2022**
- (51) **LOC (14) Cl.** **14-02**
- (52) **U.S. Cl.**
USPC **D14/411**
- (58) **Field of Classification Search**
USPC D14/372, 496, 432, 371, 125, 126, 129,
D14/299, 411; D16/300-342; 351/158,
351/153, 144; 345/7-9, 905; 455/344;
348/115, 53, 121, 739
CPC G02B 27/017; G06F 3/016; G06F 3/033;
G06F 3/0317; G06F 3/03545; G06F
3/041; G06K 9/222
See application file for complete search history.

D955,389 S *	6/2022	Cai	D14/411
D970,505 S *	11/2022	Cai	D14/411
D972,562 S *	12/2022	Wu	D14/411
D972,563 S *	12/2022	Wu	D14/411
D972,564 S *	12/2022	Wu	D14/411

* cited by examiner

Primary Examiner — Austin Murphy

(57) **CLAIM**

The ornamental design for a stylus, as shown and described.

DESCRIPTION

FIG. 1 is a front and top perspective view of a stylus, showing my new design;
 FIG. 2 is a rear and bottom perspective view thereof;
 FIG. 3 is a front elevation view thereof;
 FIG. 4 is a rear elevation view thereof;
 FIG. 5 is a left side elevation view thereof;
 FIG. 6 is a right side elevation view thereof;
 FIG. 7 is an enlarged top plan view thereof;
 FIG. 8 is an enlarged bottom plan view thereof; and,
 FIG. 9 is an enlarged view of a portion indicated with numeric 9 in FIG. 1.

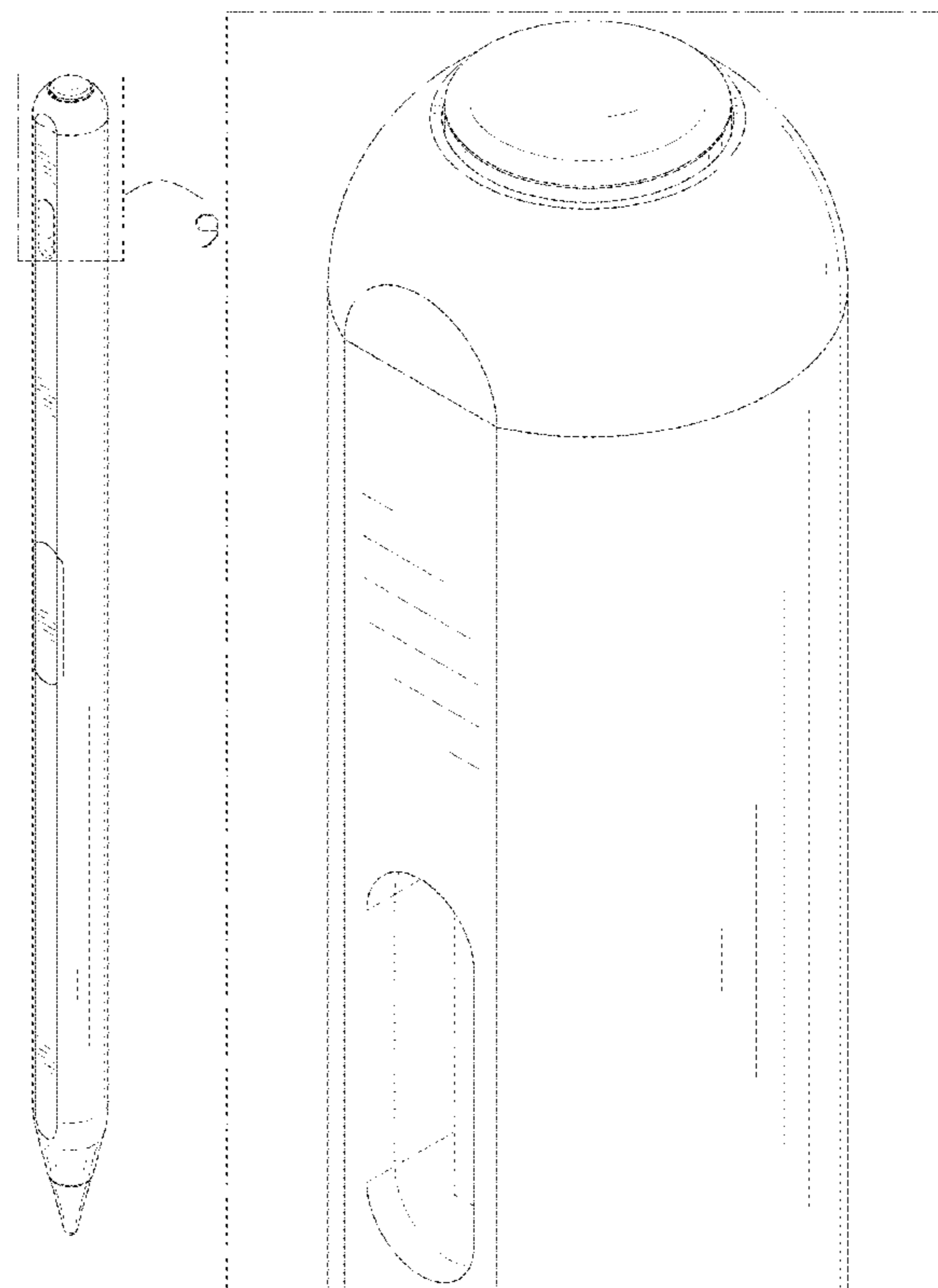
The dashed lines in the figures illustrate portions of the stylus that form no part of the claimed design. The dash dot dash lines in FIGS. 1 and 9 are for the purpose of depicting the boundary lines of the enlarged view and form no part of the claimed design.

1 Claim, 9 Drawing Sheets

(56) **References Cited**

U.S. PATENT DOCUMENTS

D908,703 S *	1/2021	Huang	D14/411
D921,630 S	6/2021	Liu	
D921,631 S *	6/2021	Huang	D14/411
D936,652 S *	11/2021	Cen	D14/411
D943,583 S *	2/2022	Mo	D14/411
D944,799 S *	3/2022	Huang	D14/411
D944,800 S *	3/2022	Huang	D14/411



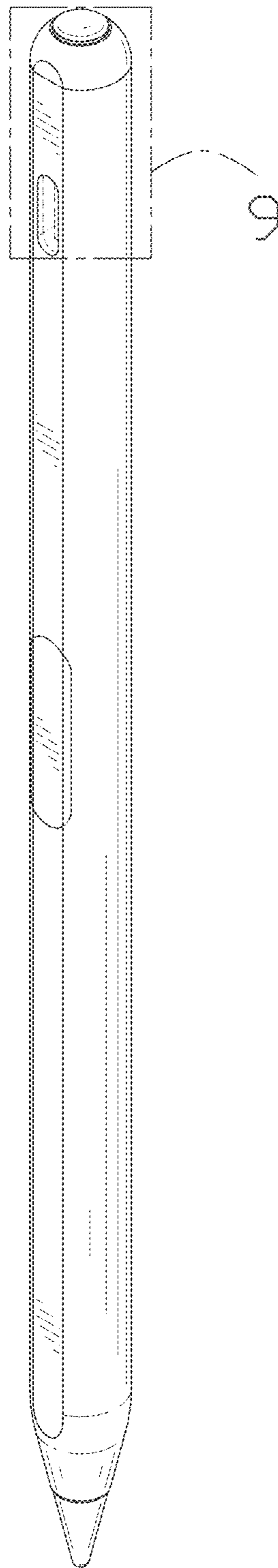


FIG. 1

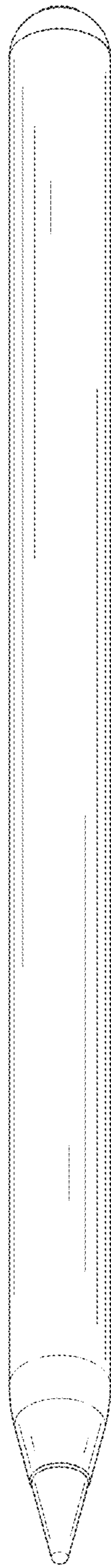


FIG. 2

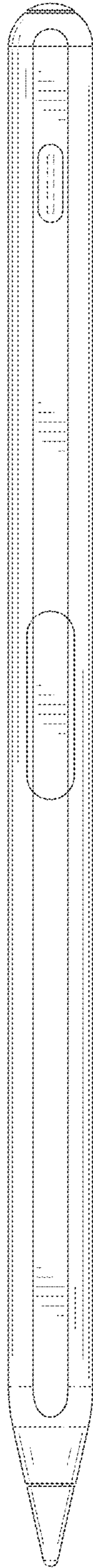


FIG. 3

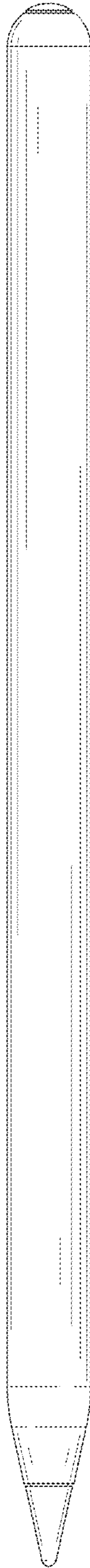


FIG. 4



FIG. 5

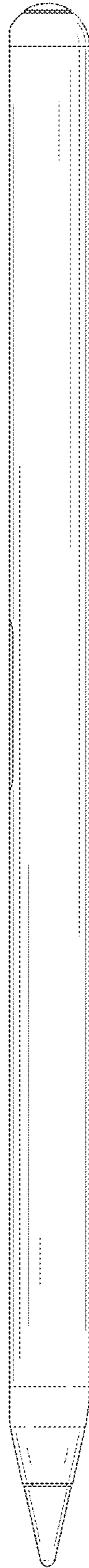


FIG. 6

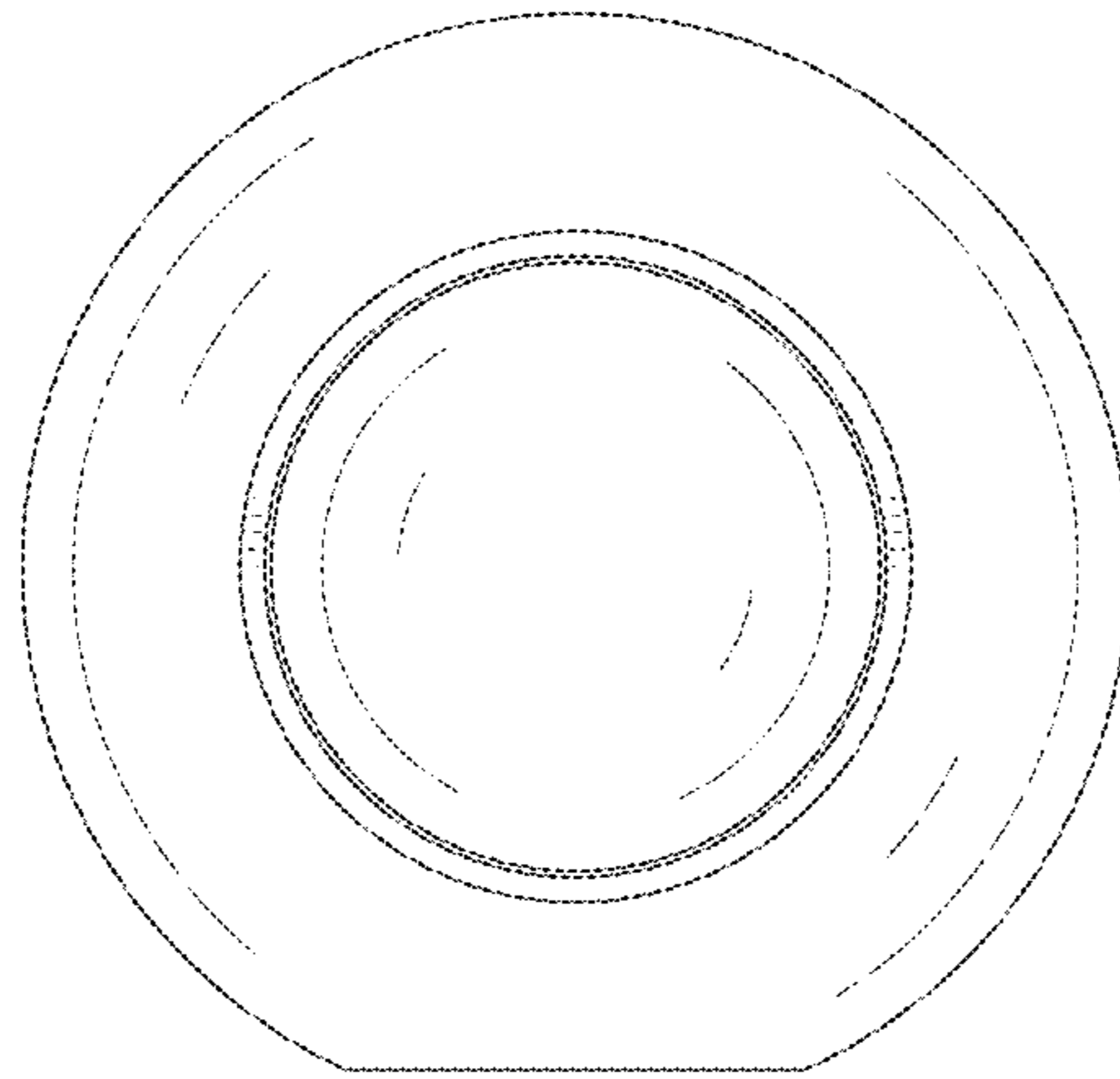


FIG. 7

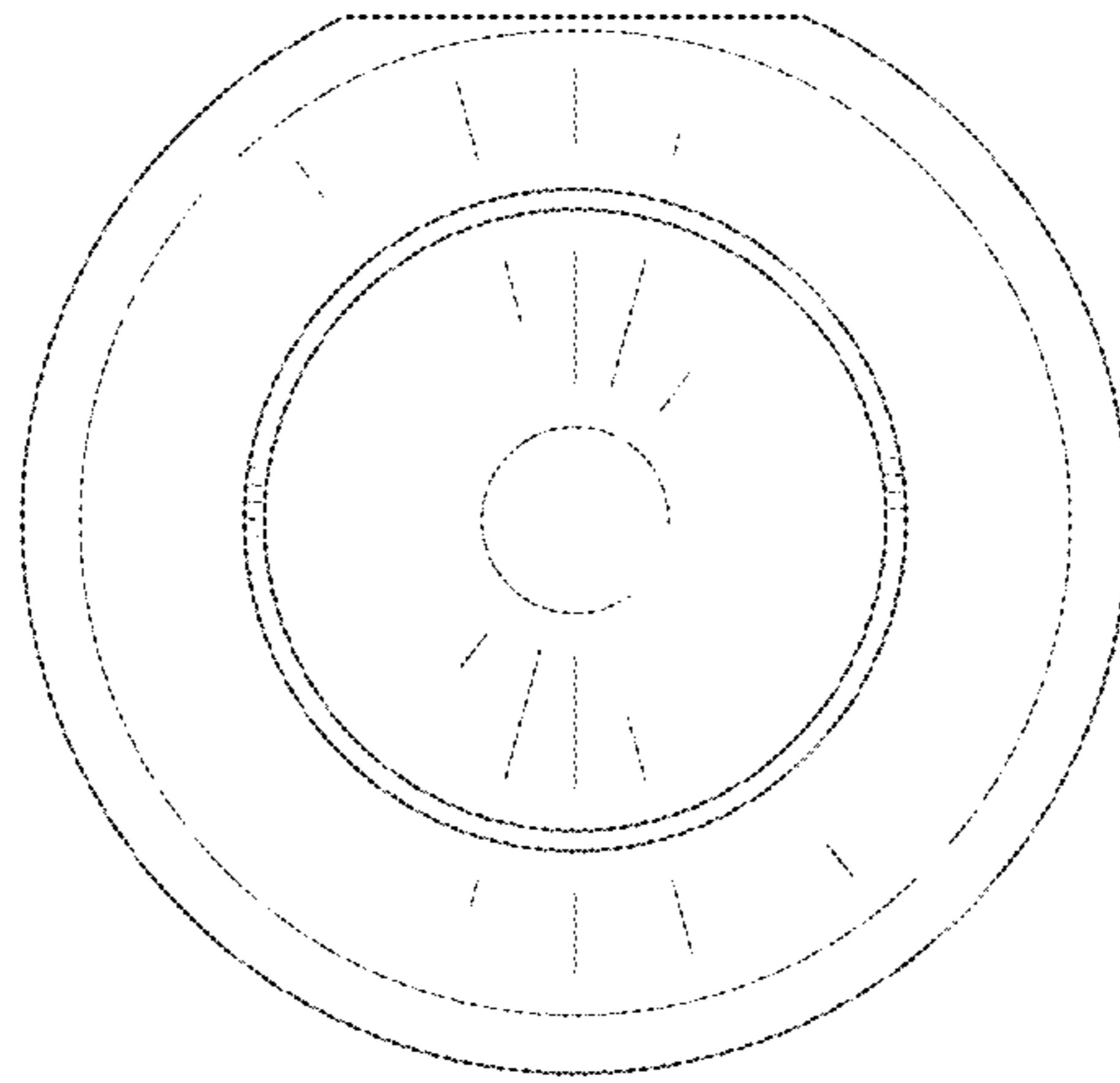


FIG. 8

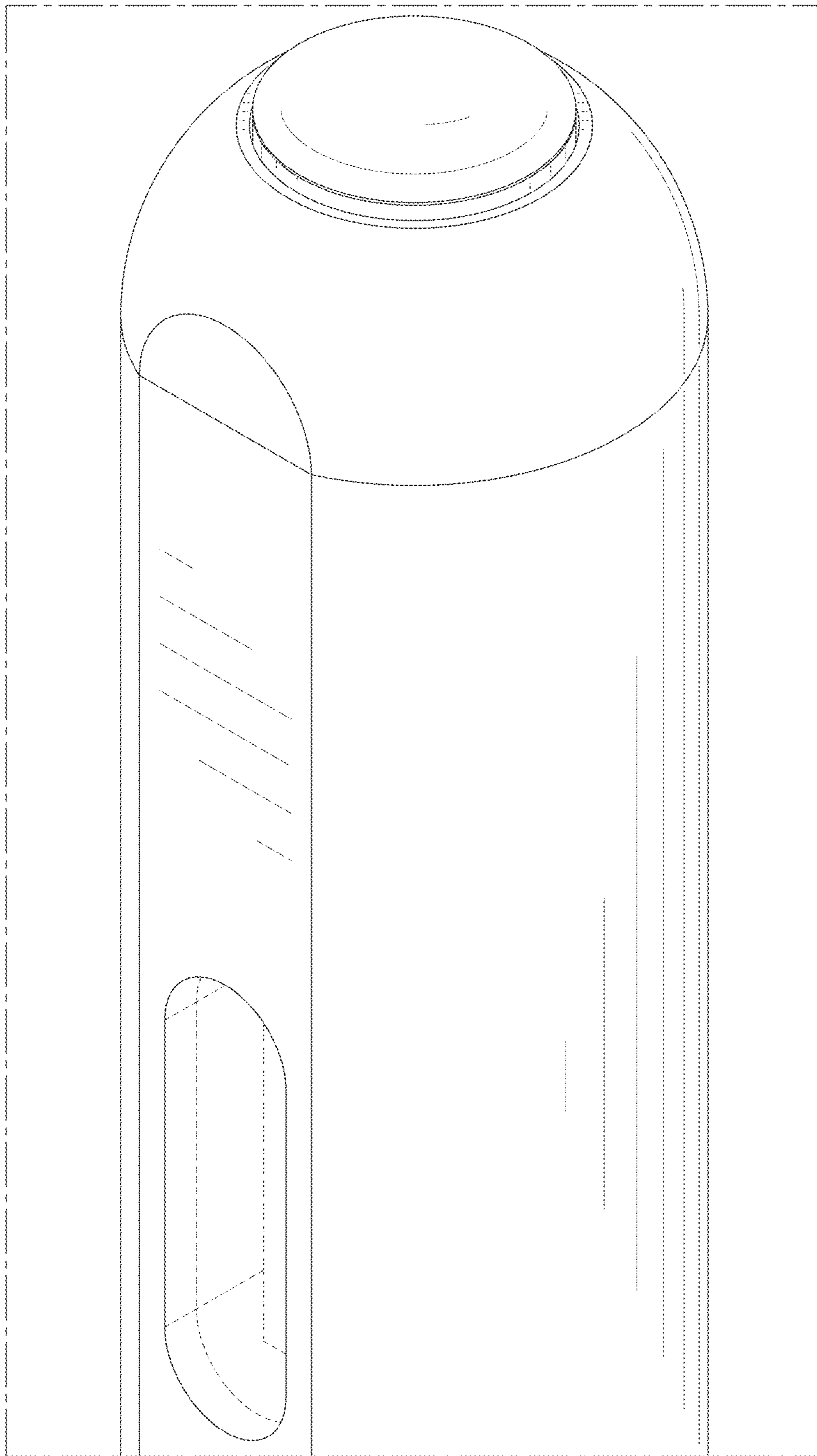


FIG. 9