



US00D981411S

(12) **United States Design Patent** (10) **Patent No.:** **US D981,411 S**
Yalazoglu et al. (45) **Date of Patent:** **** Mar. 21, 2023**

(54) **KEYBOARD**

- (71) Applicant: **Logitech Europe S.A.**
- (72) Inventors: **Tanyel Yalazoglu**, Geneva (CH);
Sylvain Sauvage, La Tour-de-Peilz (CH);
Martin Caspar Rüegg, Muttentz (CH);
Jasper Phua, Morges (CH)
- (73) Assignee: **Logitech Europe S.A.**, Lausanne (CH)
- (**) Term: **15 Years**
- (21) Appl. No.: **29/778,282**
- (22) Filed: **Apr. 12, 2021**

Related U.S. Application Data

- (63) Continuation of application No. 29/699,435, filed on Jul. 25, 2019, now Pat. No. Des. 959,430.
- (51) **LOC (14) Cl.** **14-02**
- (52) **U.S. Cl.**
USPC **D14/393**
- (58) **Field of Classification Search**
USPC D14/247, 315-327, 331-333, 338,
D14/345-347, 387, 390-401, 406, 429,
D14/455-457, 460-461; D18/1-2,
D18/4.1-4.6, 7, 11, 12.2, 52; D21/324,
D21/409
CPC B41J 5/00; B41J 5/10; B41J 5/12; G06F
3/021; G06F 3/0216; G06F 3/0219; G06F
3/02
See application file for complete search history.

(56) **References Cited**

U.S. PATENT DOCUMENTS

D357,011 S *	4/1995	Paull	D14/393
D357,476 S *	4/1995	Paull	D14/393
D362,432 S *	9/1995	Paull	D14/393
D368,902 S *	4/1996	Sheu	D14/393
D370,477 S *	6/1996	Chen	D14/393

(Continued)

FOREIGN PATENT DOCUMENTS

CA	112777	*	1/2007
CN	305981236	*	8/2020
SG	20131336B-001	*	12/2013

OTHER PUBLICATIONS

Ergo K860 Wireless Split Keyboard, Logitech, logitech.com, author unlisted, published on Oct. 28, 2020 per wayback machine © 2021 Logitech, online, site visited Nov. 14, 2021. Available at URL: <https://www.logitech.com/en-us/products/keyboards/k860-split-ergonomic.920-009166.html> (Year: 2020).*

(Continued)

Primary Examiner — Holly E Thurman

Assistant Examiner — Altaira J Swangin

(74) *Attorney, Agent, or Firm* — Kilpatrick Townsend & Stockton LLP

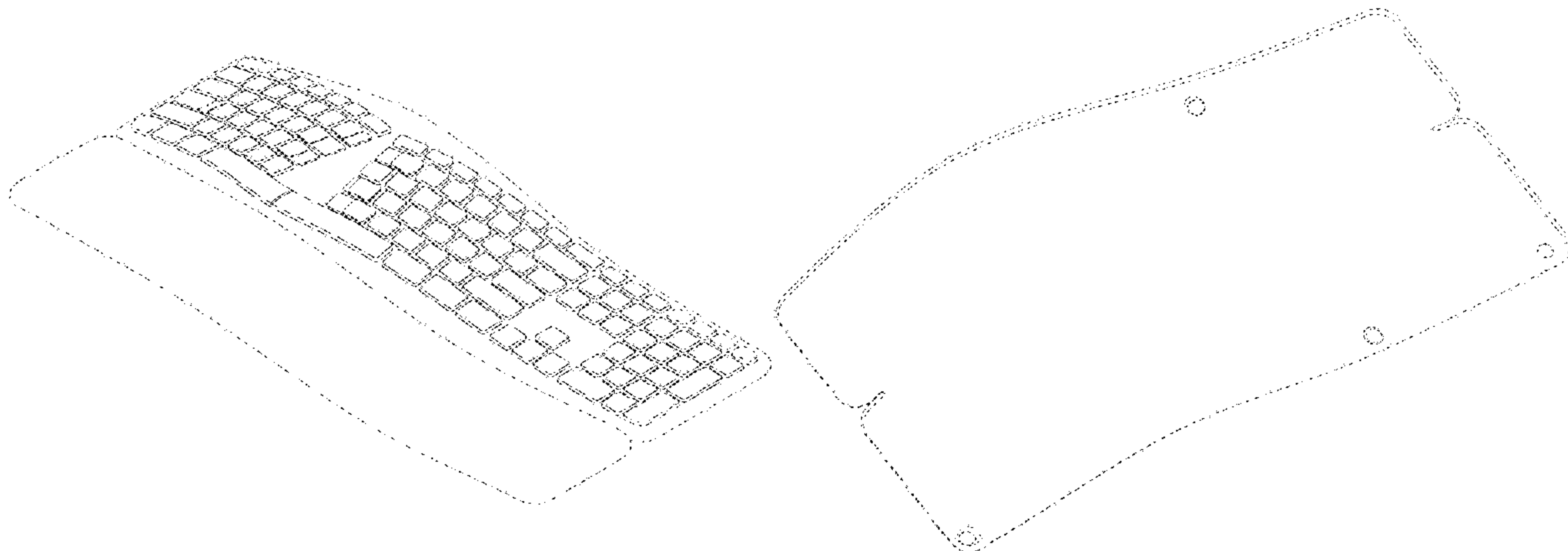
(57) **CLAIM**

The ornamental design for a keyboard, as shown and described.

DESCRIPTION

FIG. 1 is a front, top right side perspective view of a keyboard showing our new design;
FIG. 2 is a rear, top left side perspective view thereof;
FIG. 3 is a rear, bottom left side perspective view thereof;
FIG. 4 is a top plan view thereof;
FIG. 5 is a bottom plan view thereof;
FIG. 6 is a front elevational view thereof;
FIG. 7 is a rear elevational view thereof;
FIG. 8 is a right side elevational view thereof; and,
FIG. 9 is a left side elevational view thereof.
The broken lines depict portions of the keyboard in which the design is embodied that form no part of the claimed design.

1 Claim, 7 Drawing Sheets



(56)

References Cited

U.S. PATENT DOCUMENTS

D372,910 S * 8/1996 Chen D14/393
 D372,911 S * 8/1996 Wang D14/393
 D373,351 S * 9/1996 Chen D14/393
 D375,088 S * 10/1996 Tsai D14/393
 D381,016 S * 7/1997 Paull D14/461
 D386,169 S * 11/1997 Wang D14/393
 D387,050 S * 12/1997 Chen D14/393
 D387,340 S * 12/1997 Pham D14/393
 D389,137 S * 1/1998 Tsai D14/393
 D390,549 S * 2/1998 Tsai D14/393
 5,739,776 A * 4/1998 Chen G06F 3/0219
 341/20
 D397,105 S * 8/1998 Chen D14/393
 D399,838 S * 10/1998 Tsai D14/393
 D401,924 S * 12/1998 Esslinger D14/393
 5,886,686 A * 3/1999 Chen G06F 3/0213
 345/157
 5,938,352 A * 8/1999 Chen G06F 3/0202
 400/472
 D417,210 S * 11/1999 Prokop D14/396
 D419,984 S * 2/2000 Wang D14/398
 D422,273 S * 4/2000 Lee D14/393
 D428,888 S * 8/2000 Ledbetter D14/393
 D428,889 S * 8/2000 Chen D14/393
 D443,272 S * 6/2001 Sheehan D14/393
 D449,833 S * 10/2001 Prokop D14/396
 D450,056 S * 11/2001 Ledbetter D14/460
 D467,589 S * 12/2002 Jones D14/455
 D468,320 S * 1/2003 Jones D14/455
 6,725,318 B1 * 4/2004 Sherman G06F 3/0202
 710/63
 D503,714 S * 4/2005 Tritschler D14/398
 D510,578 S * 10/2005 Ohta D14/398
 D546,828 S * 7/2007 O'Neil D14/455
 D546,829 S * 7/2007 O'Neil D14/455
 D546,831 S * 7/2007 O'Neil D14/455
 D554,121 S * 10/2007 Fisher D14/398
 D588,144 S * 3/2009 O'Neil D14/455
 D590,397 S * 4/2009 O'Neill D14/398
 D592,216 S * 5/2009 O'Neil D14/455
 D593,105 S * 5/2009 O'Neil D14/455
 D594,011 S * 6/2009 Casparian D14/455
 D597,544 S * 8/2009 Chatterjee D14/398
 D626,127 S * 10/2010 Odell D14/392
 D639,807 S * 6/2011 Buhler D14/396
 D656,939 S * 4/2012 Prokop D14/393
 8,207,937 B2 * 6/2012 Ambuehl H04W 52/0254
 345/169
 D721,365 S * 1/2015 Kim D14/393
 D721,366 S * 1/2015 Kim D14/393
 D721,367 S * 1/2015 Kim D14/393
 D721,368 S * 1/2015 Kim D14/393

D721,369 S * 1/2015 Kim D14/393
 D803,835 S * 11/2017 Zheng D14/398
 D803,836 S * 11/2017 Zheng D14/398
 D925,533 S * 7/2021 Zhang D14/393
 D936,055 S * 11/2021 Wei D14/393
 D944,251 S * 2/2022 Peterson D14/393
 D944,252 S * 2/2022 Peterson D14/393
 D945,431 S * 3/2022 Zhang D14/455
 11,304,511 B2 * 4/2022 Sauvage G06F 3/0216
 D959,430 S * 8/2022 Yalazoglu D14/393
 2006/0275069 A1 * 12/2006 Jones G06F 3/0216
 400/490
 2007/0014621 A1 * 1/2007 Lane A47B 21/0371
 400/715
 2009/0091535 A1 * 4/2009 Ure G06F 3/0213
 345/168
 2018/0232060 A1 * 8/2018 Lien G06F 3/0202
 2021/0137262 A1 * 5/2021 Sauvage A47B 21/0371
 2022/0206683 A1 * 6/2022 Fukumoto G06F 3/0213

OTHER PUBLICATIONS

Periboard-612 Wireless Ergonomic Split Keyboard, Perixx, amazon.com, published by Perixx, first available on Jun. 27, 2019 © 1996-2021 Amazon.com, Inc., online, site visited Nov. 14, 2021. Available at URL: <https://www.amazon.com/Perixx-Periboard-612-Ergonomic-Bluetooth-Compatible/dp/B07TKLB1ML?th=1> (Year: 2019).*

Ergonomic Keyboard, Microsoft, amazon.com, published by Microsoft, first available on Oct. 2, 2019 © 1996-2021 Amazon.com, Inc., online, site visited Nov. 14, 2021. Available at URL: <https://www.amazon.com/Microsoft-LXM-00001-Ergonomic-Keyboard/dp/B07Y414QXJ> (Year: 2019).*

Periduo-505 Ergonomic Split Keyboard, Logitech, amazon.com, published by Perixx, first available on Jul. 8, 2019 © 1996-2021 Amazon.com, Inc., online, site visited Apr. 13, 2022. Available at URL: <https://www.amazon.com/Perixx-Periduo-505-Ergonomic-Keyboard-Adjustable/dp/B07WKRXG3C?th=1> (Year: 2019).*

Natural Keyboard Elite, Microsoft, amazon.com, published by Microsoft, first available on Apr. 16, 2002 © 1996-2022 Amazon.com, Inc., online, site visited Oct. 19, 2022. Available at URL: <https://www.amazon.com/Microsoft-A11-00337-Natural-Keyboard-Elite/dp/B0000642RX?th=1> (Year: 2002).*

Natural Keyboard Elite, Microsoft, amazon.com, published by Microsoft, first available on Nov. 5, 2009 © 1996-2022 Amazon.com, Inc., online, site visited Oct. 19, 2022. Available at URL: <https://www.amazon.com/Microsoft-Natural-Keyboard-Elite-Black/dp/B002VRFIL6> (Year: 2009).*

Split Wired Keyboard, Fellowes Microban, amazon.com, published by Emily Isaacs on Jan. 3, 2020 © Lifewire, online, site visited Oct. 19, 2022. Available at URL: <https://www.lifewire.com/fellowes-microban-wired-keyboard-review-4780294> (Year: 2020).*

* cited by examiner

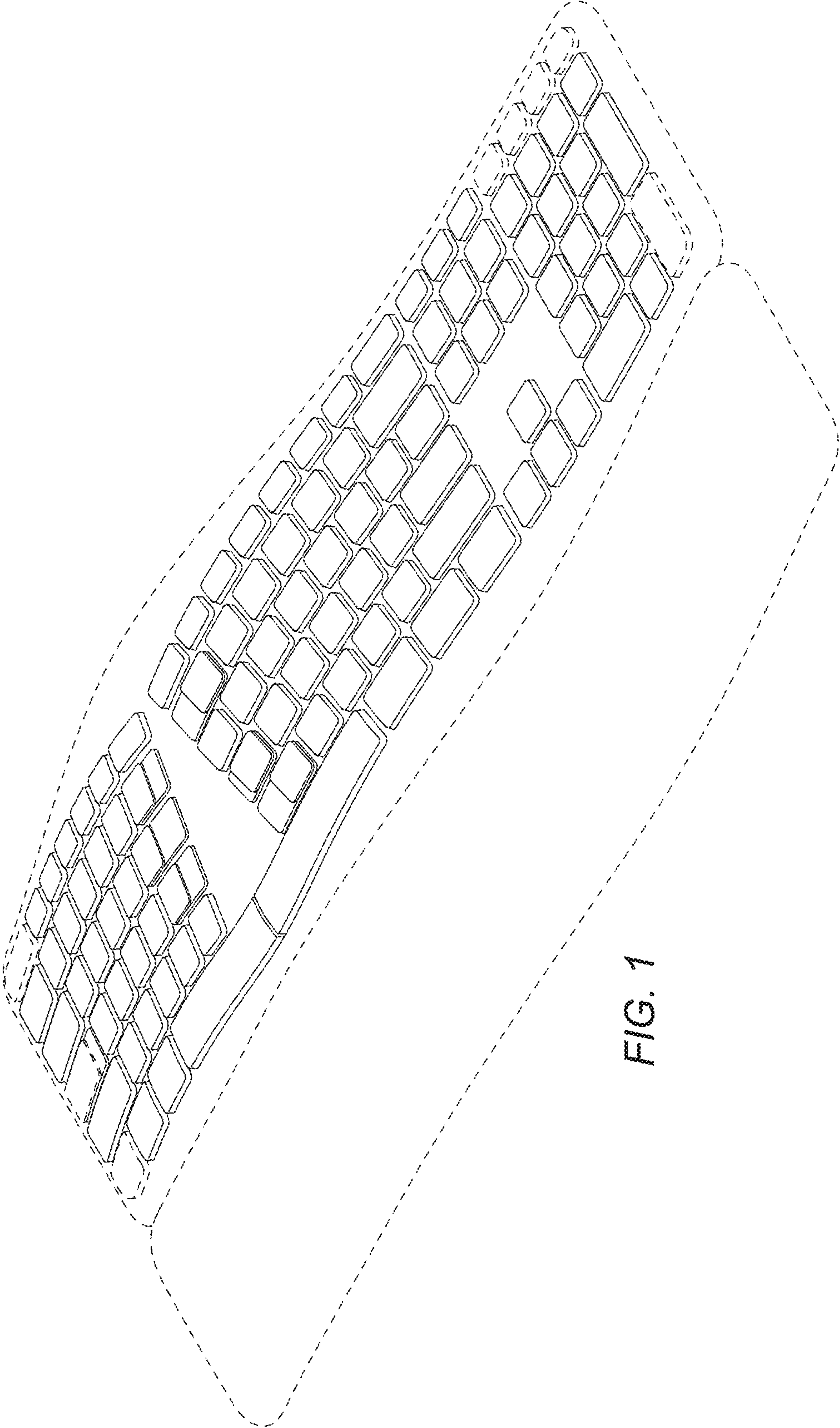


FIG. 1

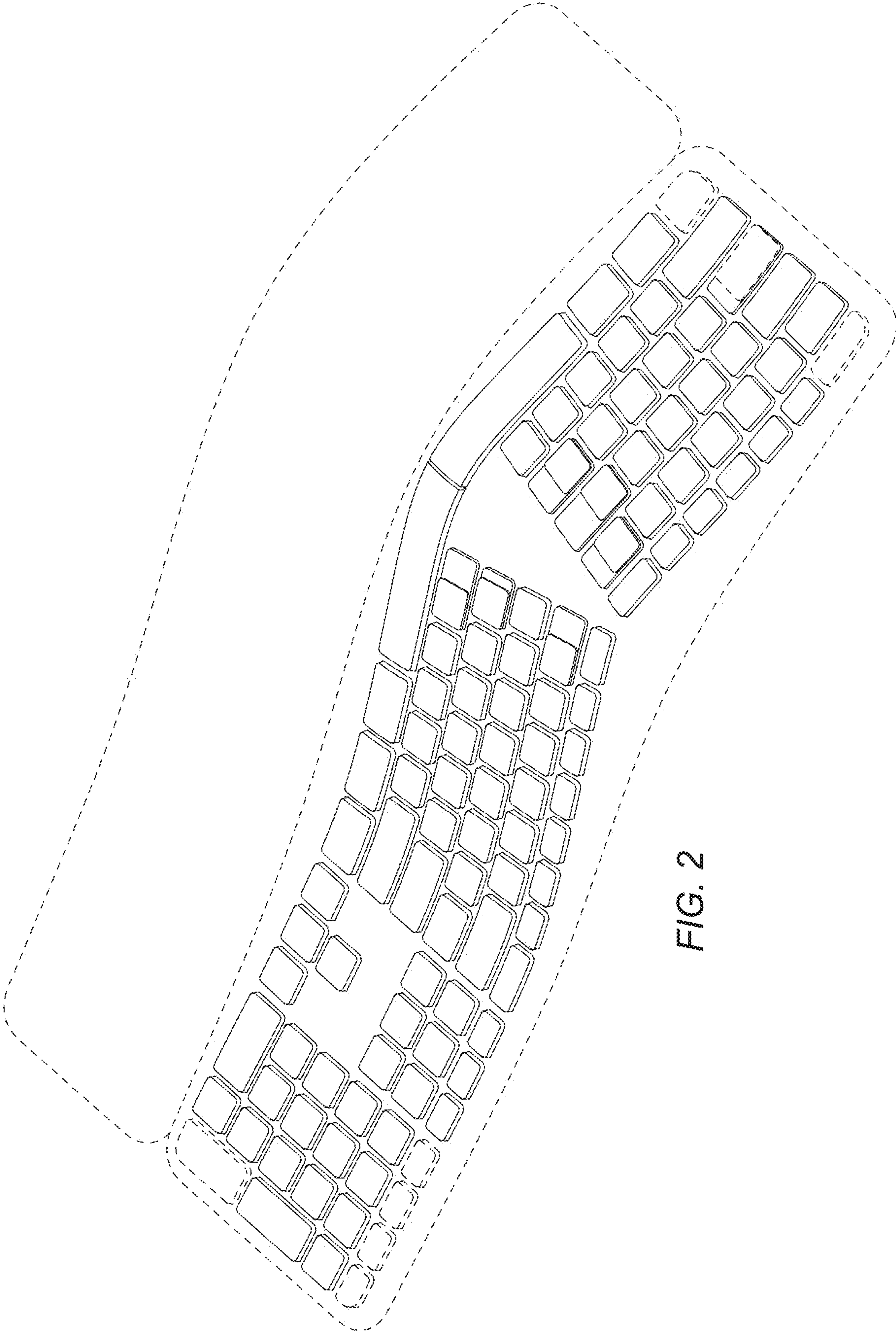


FIG. 2

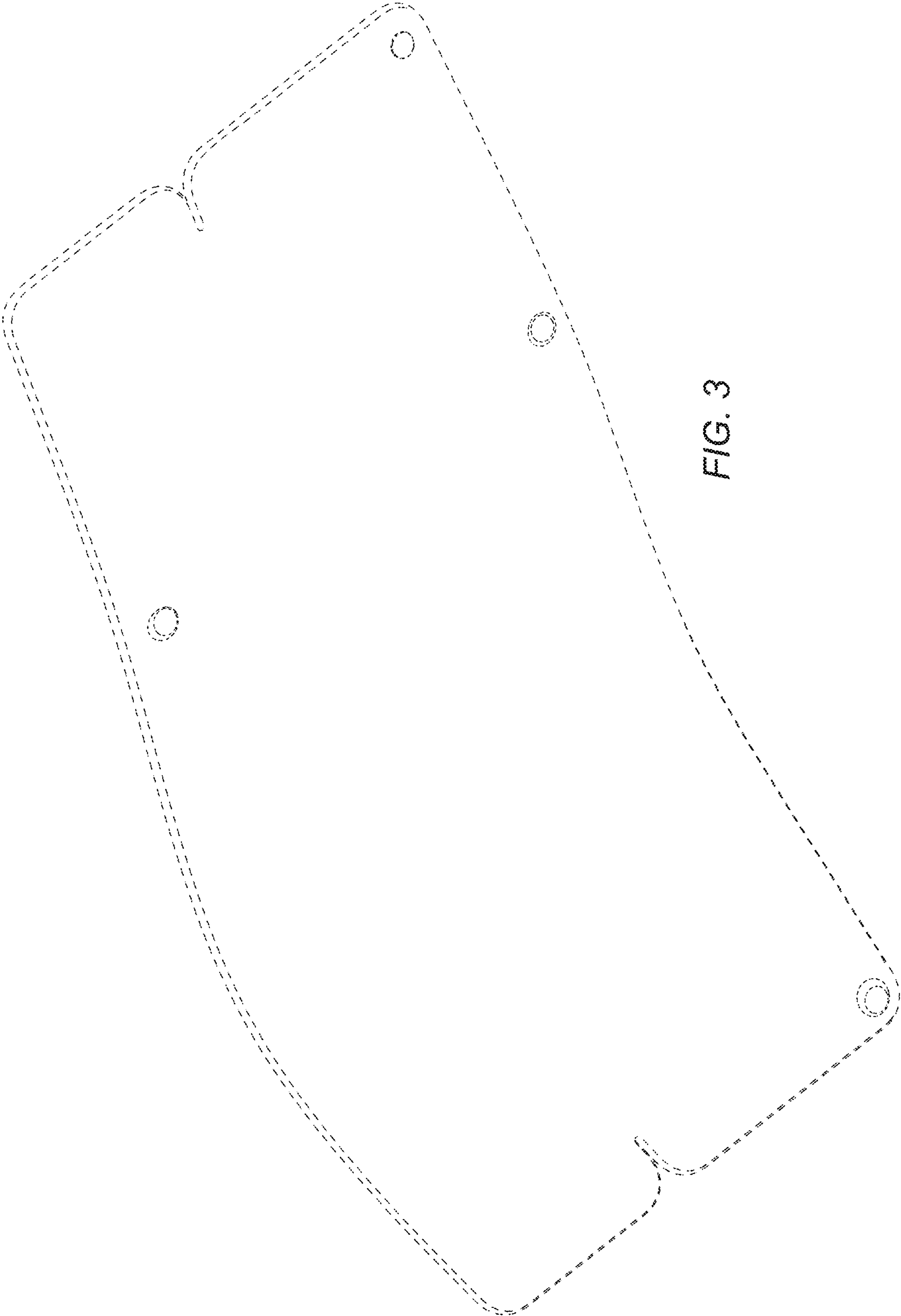


FIG. 3

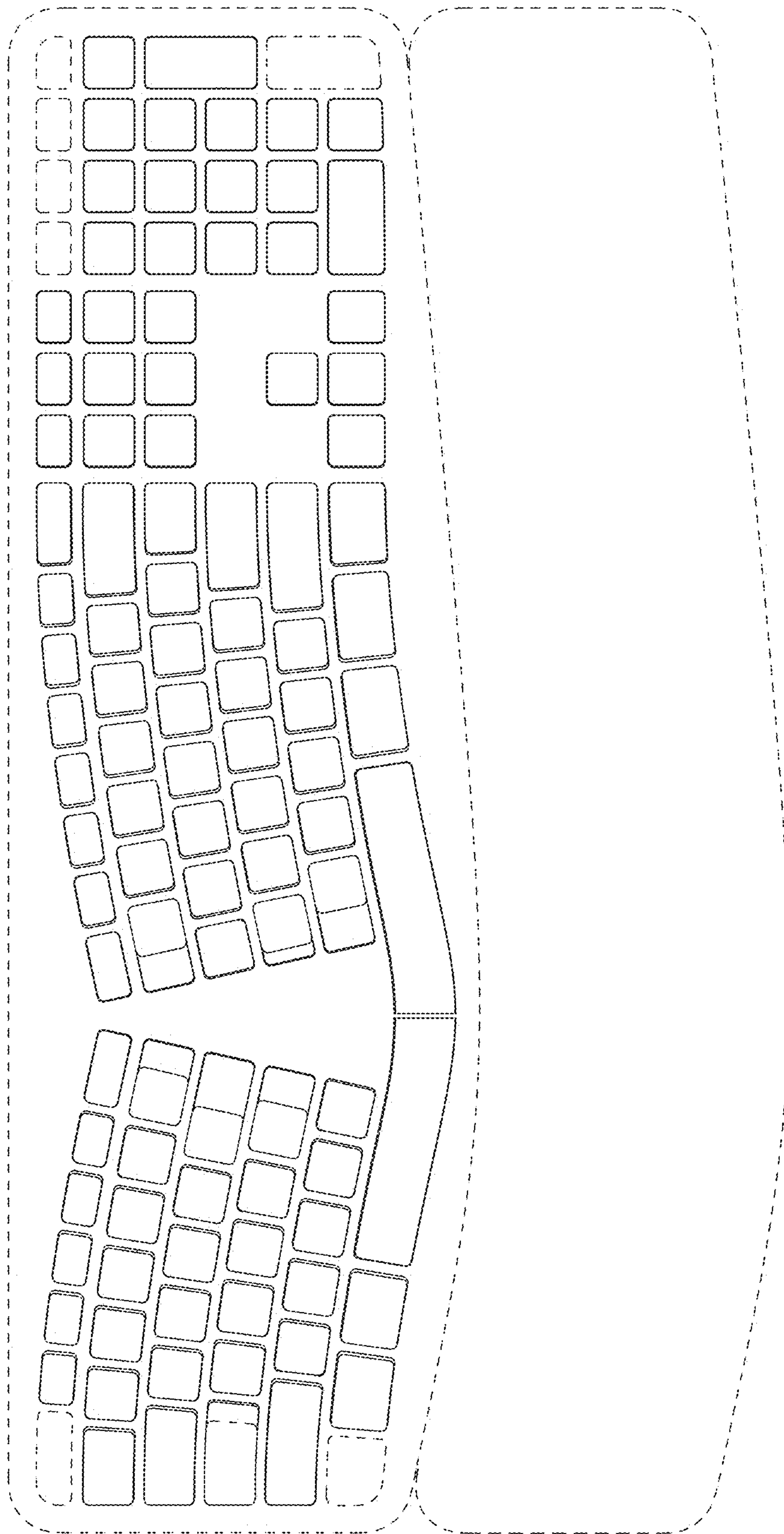


FIG. 4

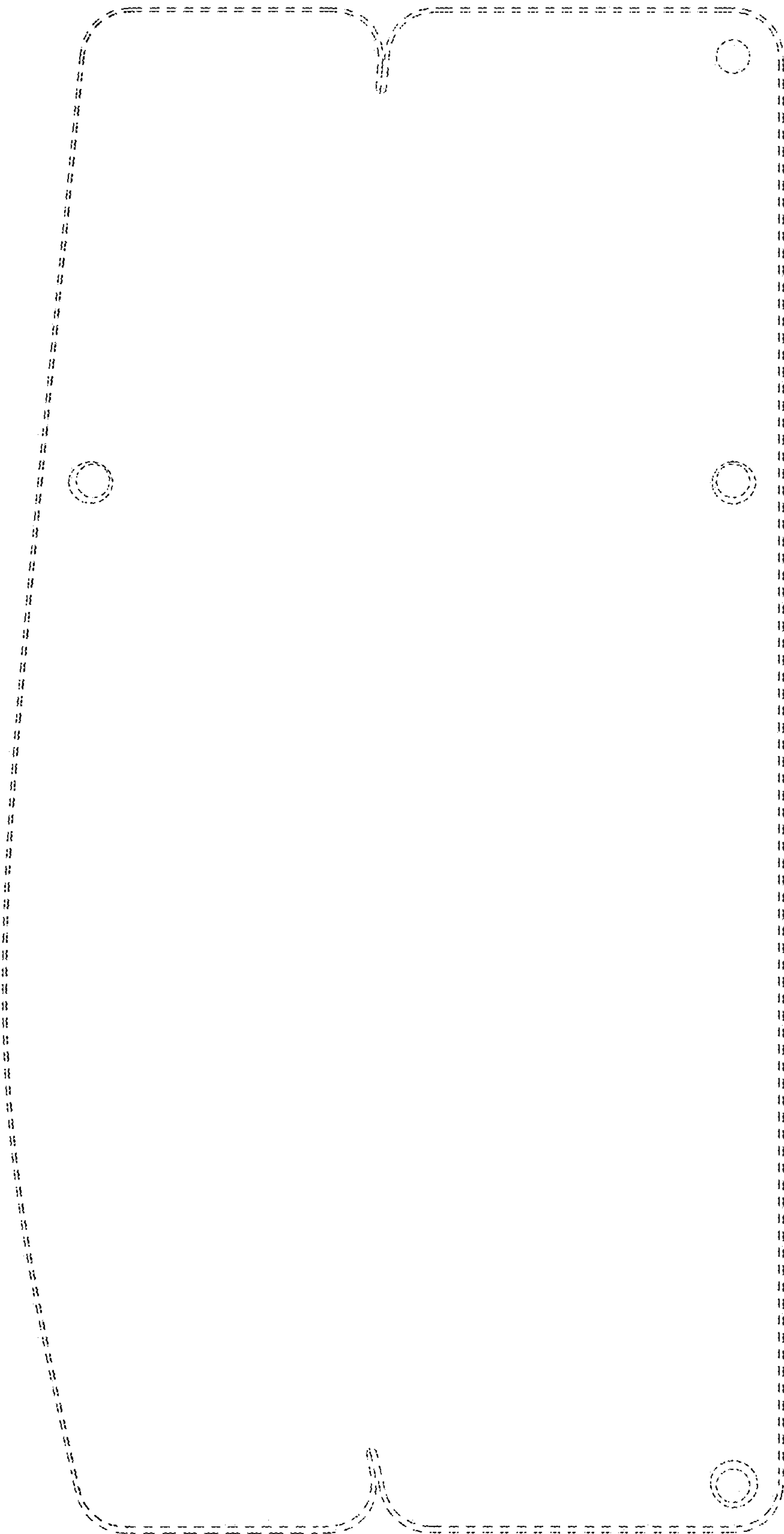


FIG. 5

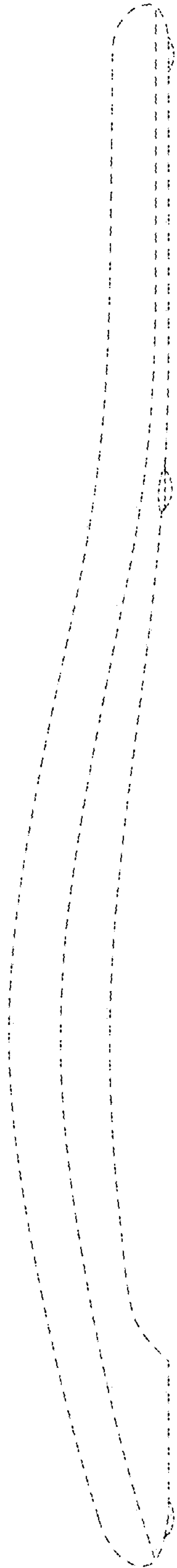


FIG. 6

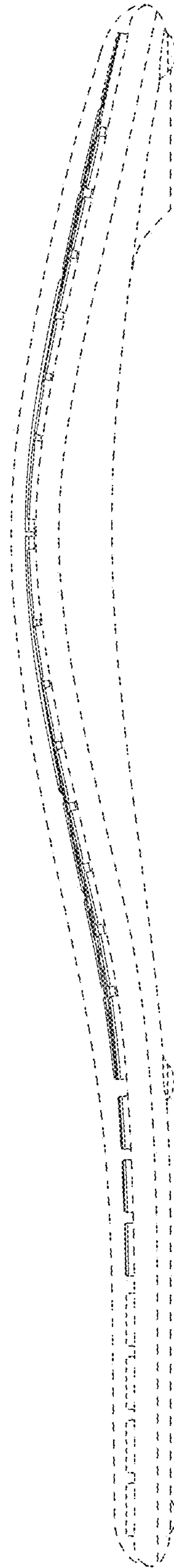


FIG. 7

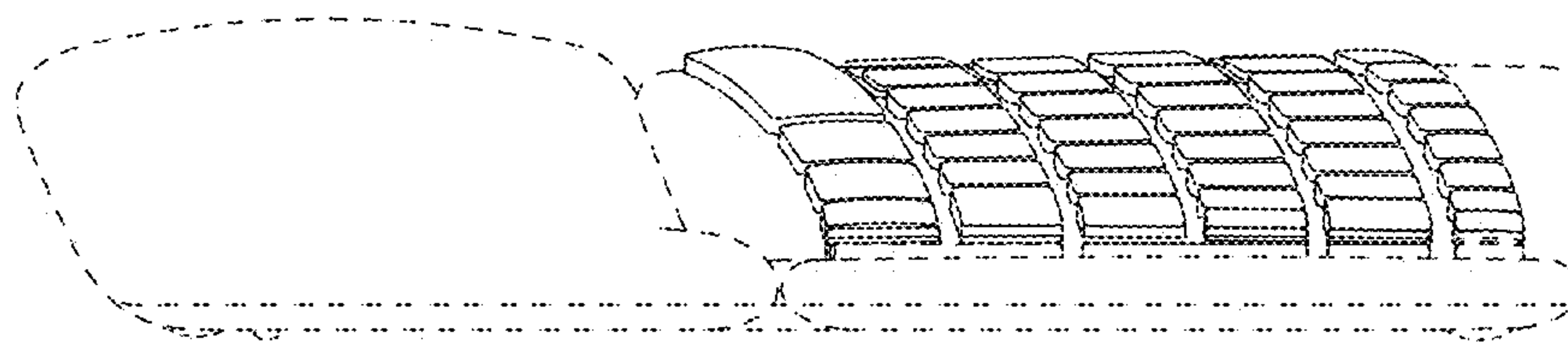


FIG. 8

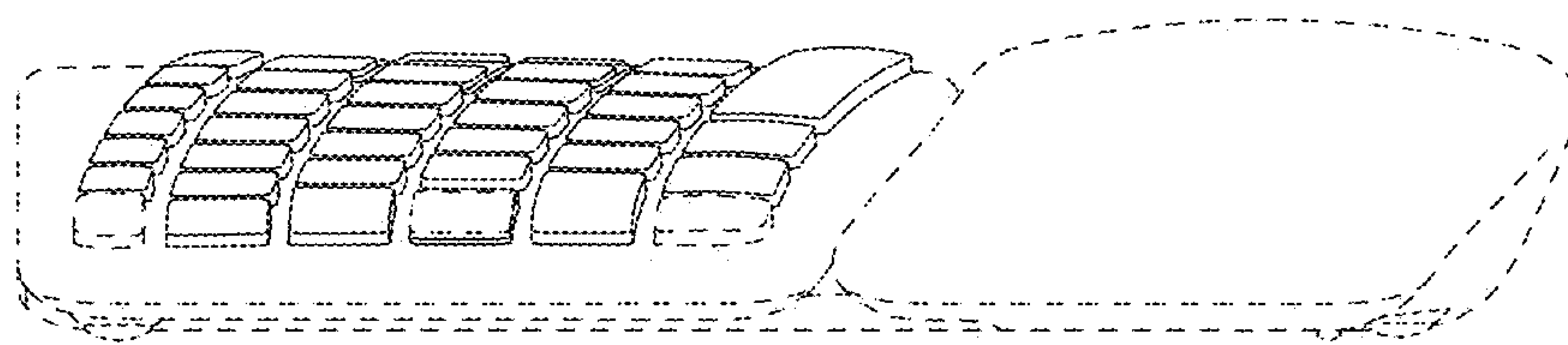


FIG. 9