



US00D981407S

(12) **United States Design Patent**
Kim et al.

(10) **Patent No.:** **US D981,407 S**
(45) **Date of Patent:** **** Mar. 21, 2023**

(54) **MONITOR**

(71) Applicant: **SAMSUNG ELECTRONICS CO., LTD.**, Suwon-si (KR)

(72) Inventors: **Ki-Hong Kim**, Suwon-si (KR);
Tae-Yeon Won, Suwon-si (KR)

(73) Assignee: **SAMSUNG ELECTRONICS CO., LTD.**, Gyeonggi-Do (KR)

(**) Term: **15 Years**

(21) Appl. No.: **29/725,828**

(22) Filed: **Feb. 27, 2020**

(30) **Foreign Application Priority Data**

Aug. 30, 2019 (KR) 30-2019-0041670

(51) **LOC (14) Cl.** **14-02**

(52) **U.S. Cl.**
USPC **D14/371**

(58) **Field of Classification Search**
USPC D14/126, 183, 138 R, 138 AA, 138 C,
D14/138 G, 140.11, 203.1, 203.3, 203.7,
(Continued)

(56) **References Cited**

U.S. PATENT DOCUMENTS

D536,310 S * 2/2007 Kao D14/126
D686,584 S 7/2013 Yoo et al.
(Continued)

FOREIGN PATENT DOCUMENTS

CN 304986424 * 1/2019
EM 001366405-0001 4/2013
(Continued)

OTHER PUBLICATIONS

Gaming Monitor Odyssey G7, Samsung, turbosquid.com, author unlisted, published on Jan. 19, 2020 © TurboSquid 2021, online, site visited Jun. 11, 2021. Available at URL: <https://www.turbosquid.com/3d-models/samsung-odyssey-g7-3d-model-1497067> (Year: 2020).*

(Continued)

Primary Examiner — Holly E Thurman
Assistant Examiner — Altaira J Swangin

(74) *Attorney, Agent, or Firm* — Cantor Colburn LLP

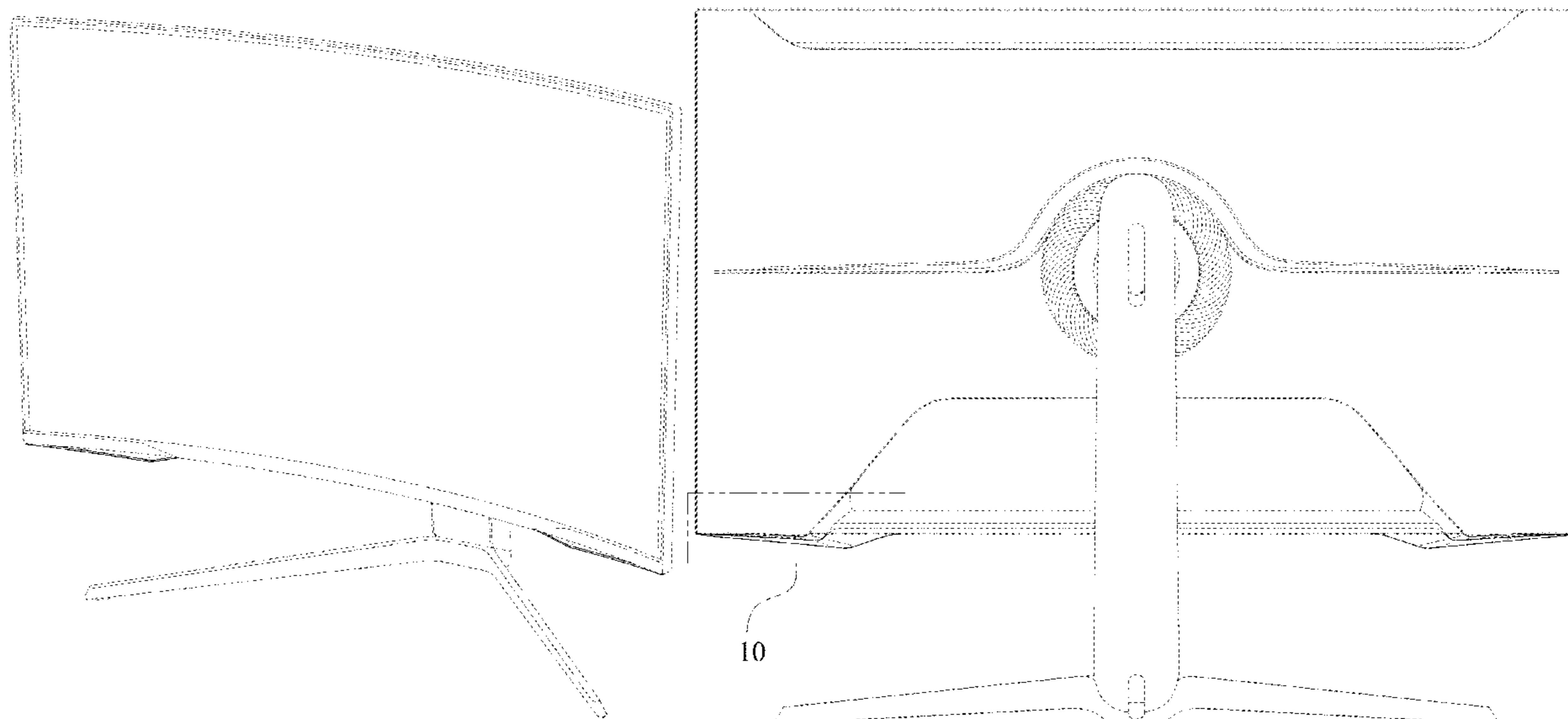
(57) **CLAIM**

The ornamental design for a monitor, as shown and described.

DESCRIPTION

FIG. 1 is a front perspective view of a monitor, showing our new design;
FIG. 2 is a front view thereof;
FIG. 3 is a rear view thereof;
FIG. 4 is a left-side view thereof;
FIG. 5 is a right-side view thereof;
FIG. 6 is a top view thereof;
FIG. 7 is a bottom view thereof;
FIG. 8 is a rear perspective view thereof;
FIG. 9 is an enlarged view of the portion 9 in FIG. 2;
FIG. 10 is an enlarged view of the portion 10 in FIG. 3;
FIG. 11 is an enlarged view of the portion 11 in FIG. 4; and,
FIG. 12 is an enlarged view of the portion 12 in FIG. 4.
The even-dash broken lines illustrating portions of the monitor form no part of the claimed design. The dot-dashed broken lines define the boundary of the claimed design and form no part of the claimed design. The dot-dot-dash broken lines encircling enlargement portions of the monitor form no part of the claimed design. All of the surfaces shown in FIG. 12 are in broken lines and form no part of the claimed design.

1 Claim, 12 Drawing Sheets



US D981,407 S

Page 2

(58) **Field of Classification Search**

USPC D14/217, 250, 239, 305, 307, 335–336,
D14/340, 424, 432, 448–450, 464, 510,
D14/451, 140, 471, 483, 511, 361–382;
D20/10, 17–18, 27, 38–39, 42, 44;
D12/213, 169, 172
CPC G09F 13/00; G09F 19/22; G09F 15/0006
See application file for complete search history.

(56) **References Cited**

U.S. PATENT DOCUMENTS

D701,186 S * 3/2014 Kim D14/126
D731,498 S * 6/2015 Jeon D14/451
D736,451 S * 8/2015 Smith D26/120
D738,838 S 9/2015 Seo et al.
D749,249 S * 2/2016 Thole D26/28
D750,076 S 2/2016 Lam et al.
D750,626 S 3/2016 Schoenert et al.
D767,576 S * 9/2016 Wang D14/451
D771,604 S * 11/2016 Stoops D14/239
D786,243 S * 5/2017 Covello D14/371
D790,542 S * 6/2017 Jung D14/374
D800,706 S * 10/2017 Ann D14/239
D819,027 S * 5/2018 Lee D14/374
D831,647 S * 10/2018 Woo D14/374
D859,337 S * 9/2019 Lee D14/126
D862,430 S * 10/2019 Lee D14/239
D866,667 S * 11/2019 Stair D21/369
D872,085 S * 1/2020 Lee D14/374
D873,826 S * 1/2020 Yang D14/374

D888,677 S * 6/2020 Ryu D14/126
D897,339 S * 9/2020 Lee D14/374
D900,816 S * 11/2020 Kim D14/374
D900,817 S * 11/2020 Ryu D14/374
D900,820 S * 11/2020 Kim D14/374
D901,500 S * 11/2020 Kim D14/374
D907,123 S * 1/2021 DeMarco D21/369
D909,368 S * 2/2021 Seo D14/336
D912,044 S * 3/2021 Seo D14/336
D913,378 S * 3/2021 Glenn, II D21/369
D924,859 S * 7/2021 Kim D14/239
D926,185 S * 7/2021 Kim D14/371
D933,077 S * 10/2021 Cho D14/452
D963,641 S * 9/2022 Kim D14/371
2017/0154607 A1 * 6/2017 Jung G06F 1/1605
2020/0174515 A1 * 6/2020 So G06F 1/1601

FOREIGN PATENT DOCUMENTS

GB 8208427000-7000 * 2/2020
KR 301064750.0000 * 7/2020
WO WO-D208427-007 * 8/2020

OTHER PUBLICATIONS

Predator XB3 Series Monitor, Acer, tenforums.com, author unlisted,
published on Jan. 23, 2020 © Designer Media Ltd., site visited Jun.
11, 2021. Available at URL: <https://www.tenforums.com/windows-10-news/159237-acer-announces-new-predator-desktops-monitors-accessories.html> (Year: 2020).*

* cited by examiner

FIG. 1

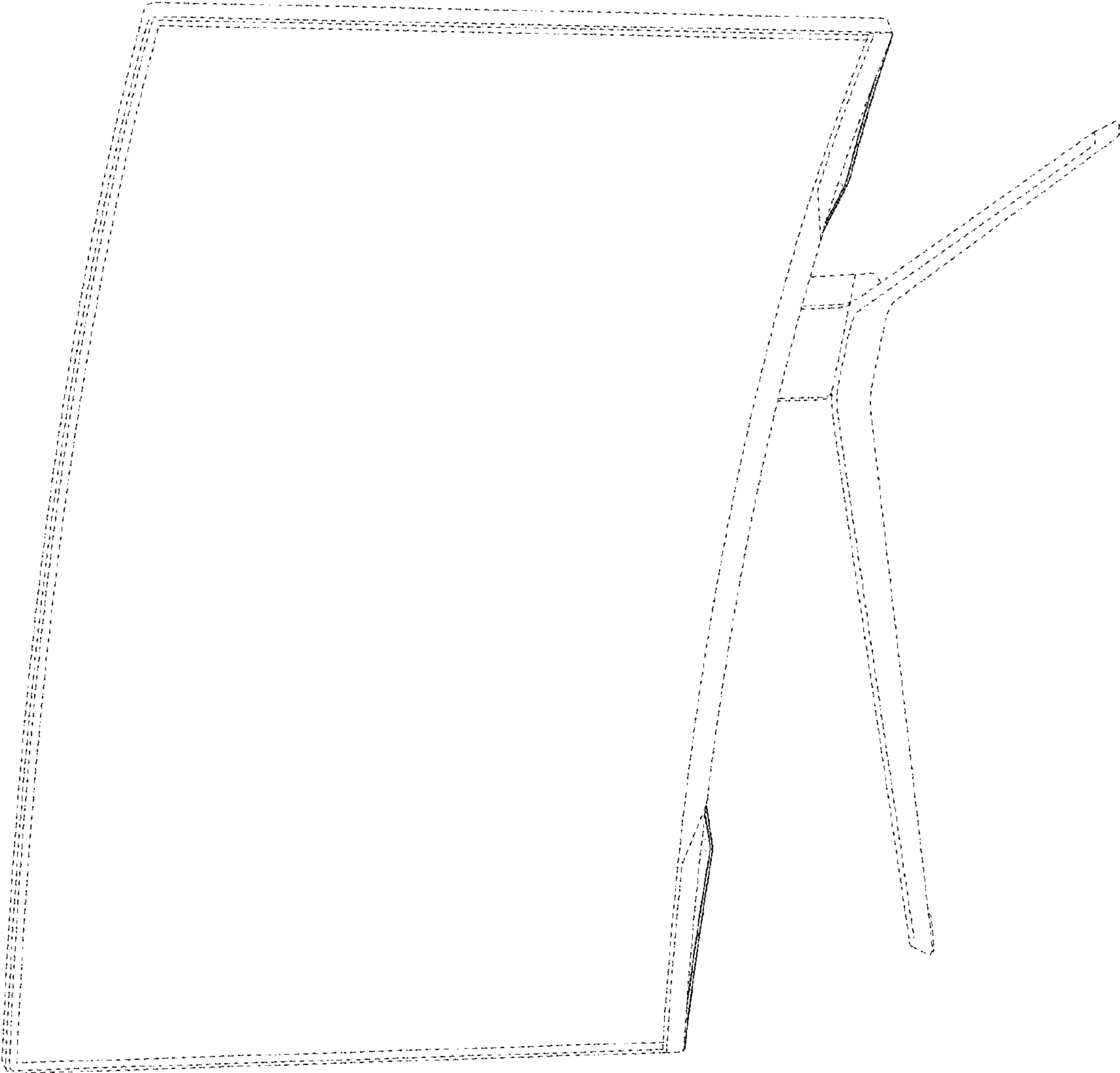


FIG. 2

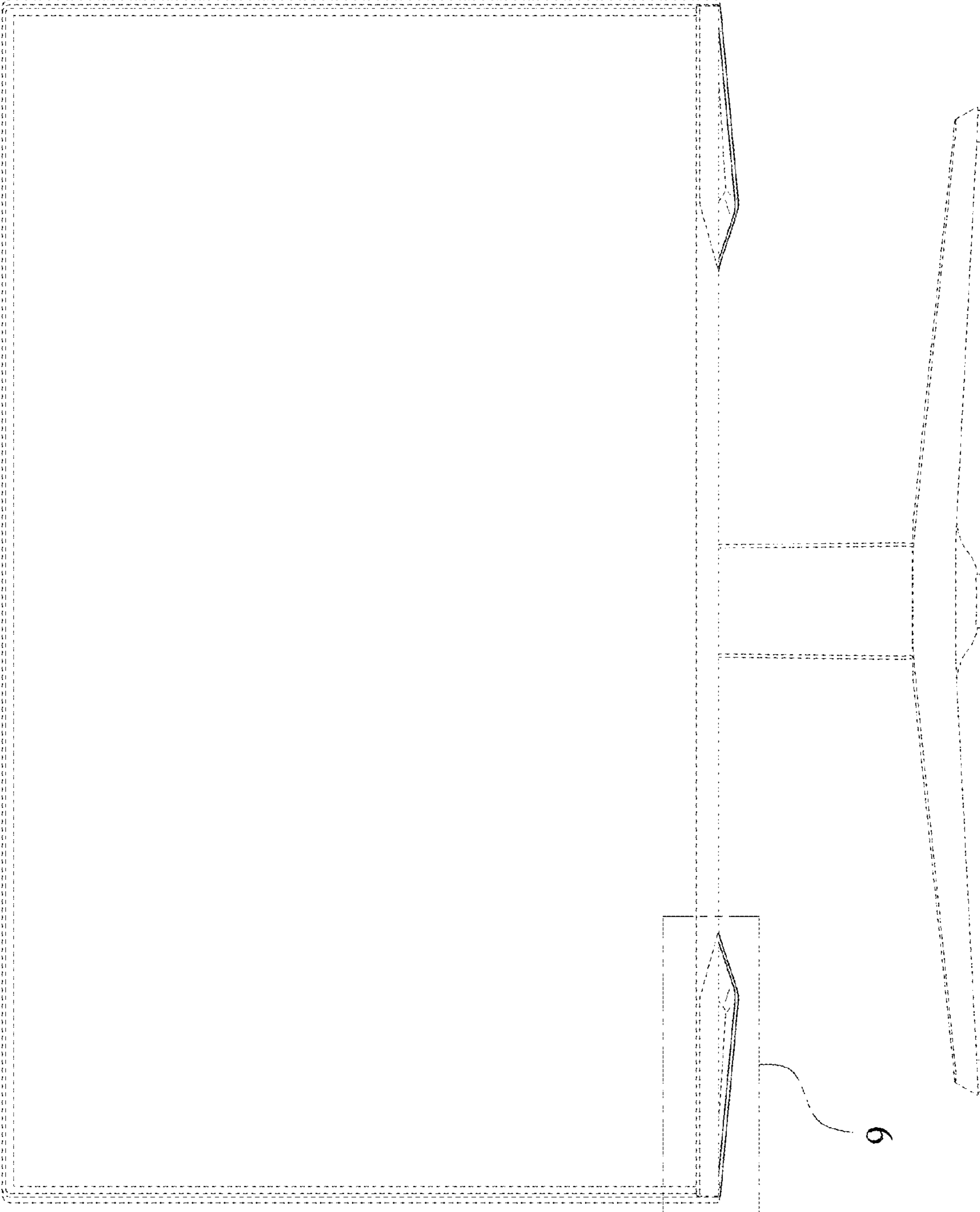


FIG. 3

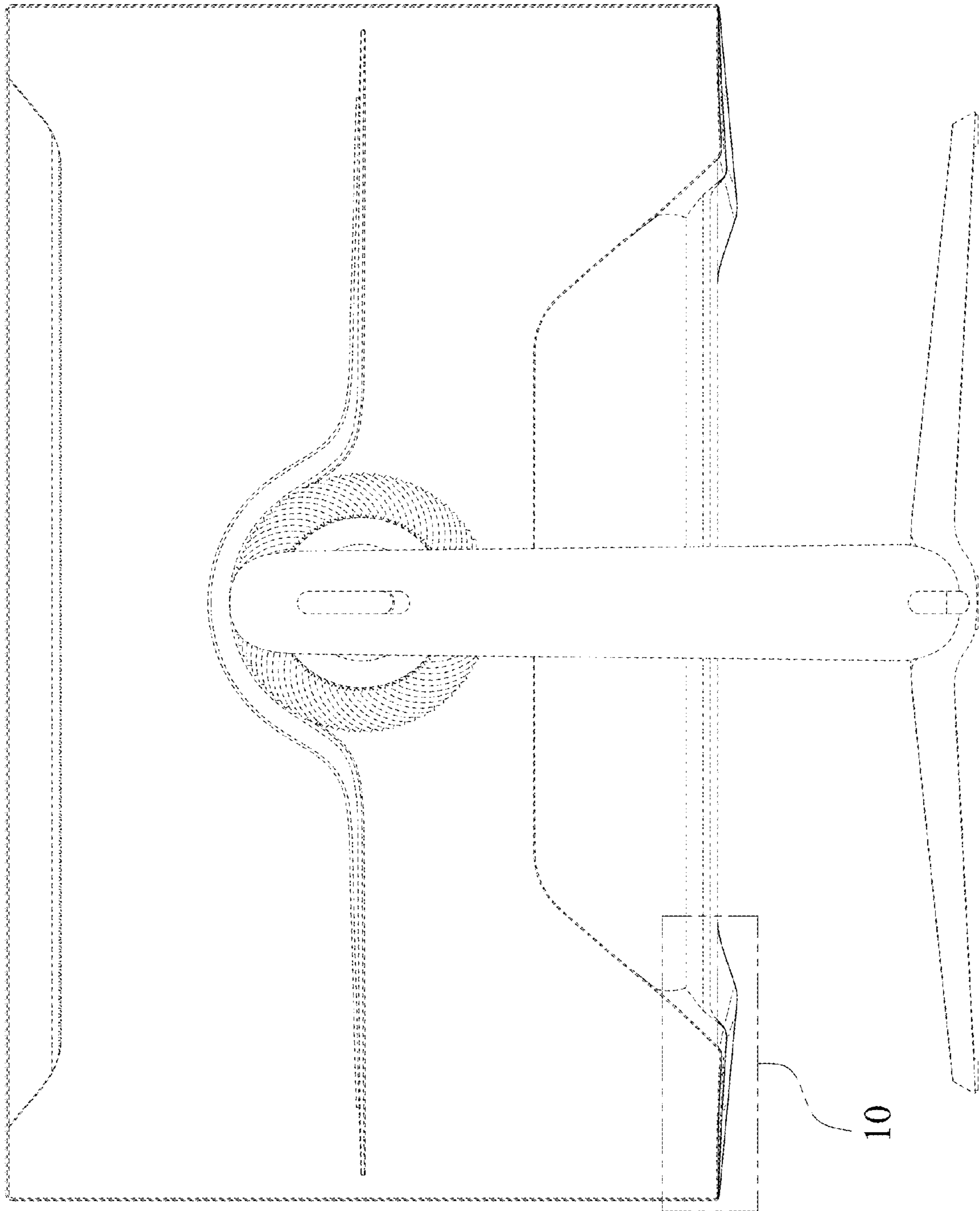


FIG. 4

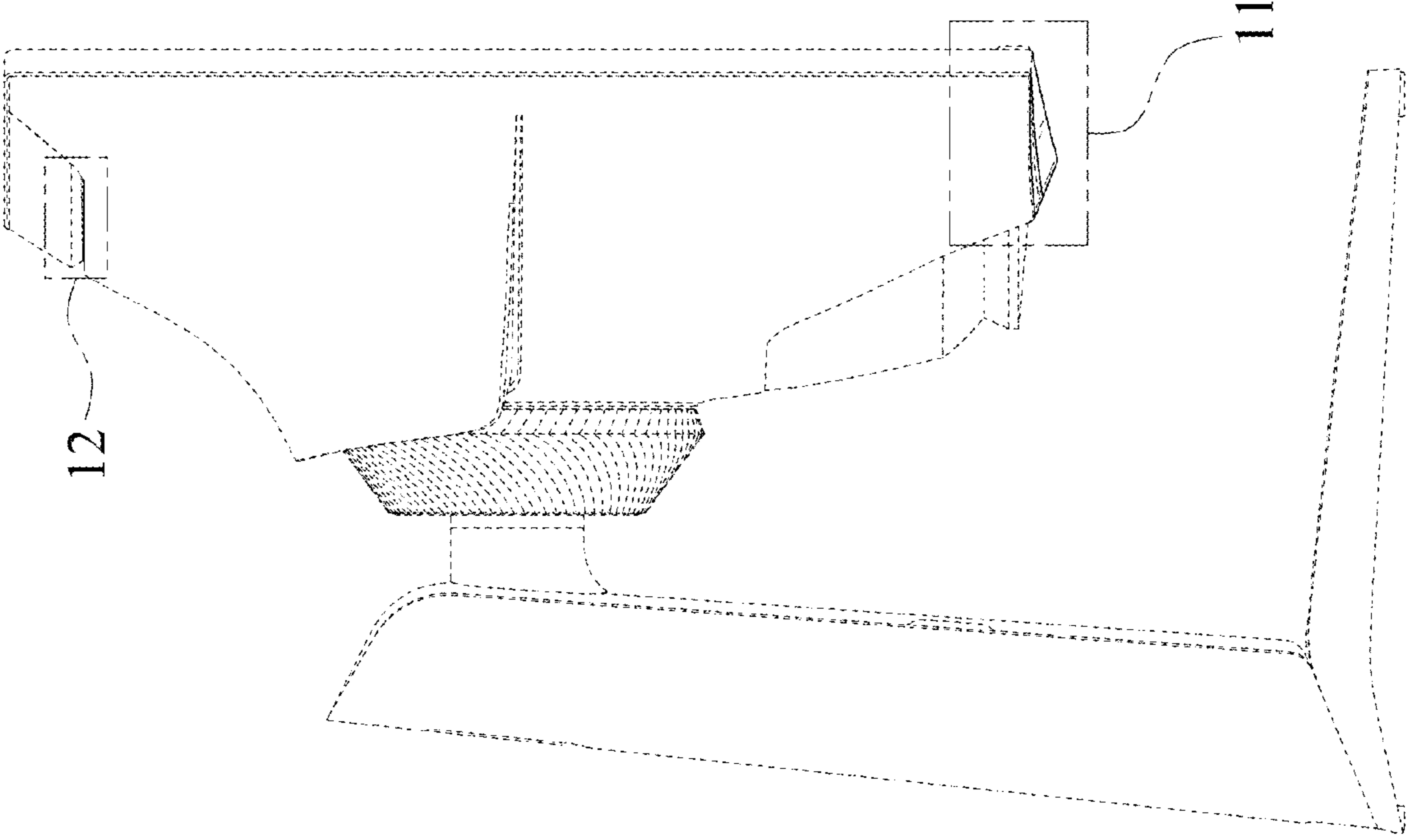


FIG. 5

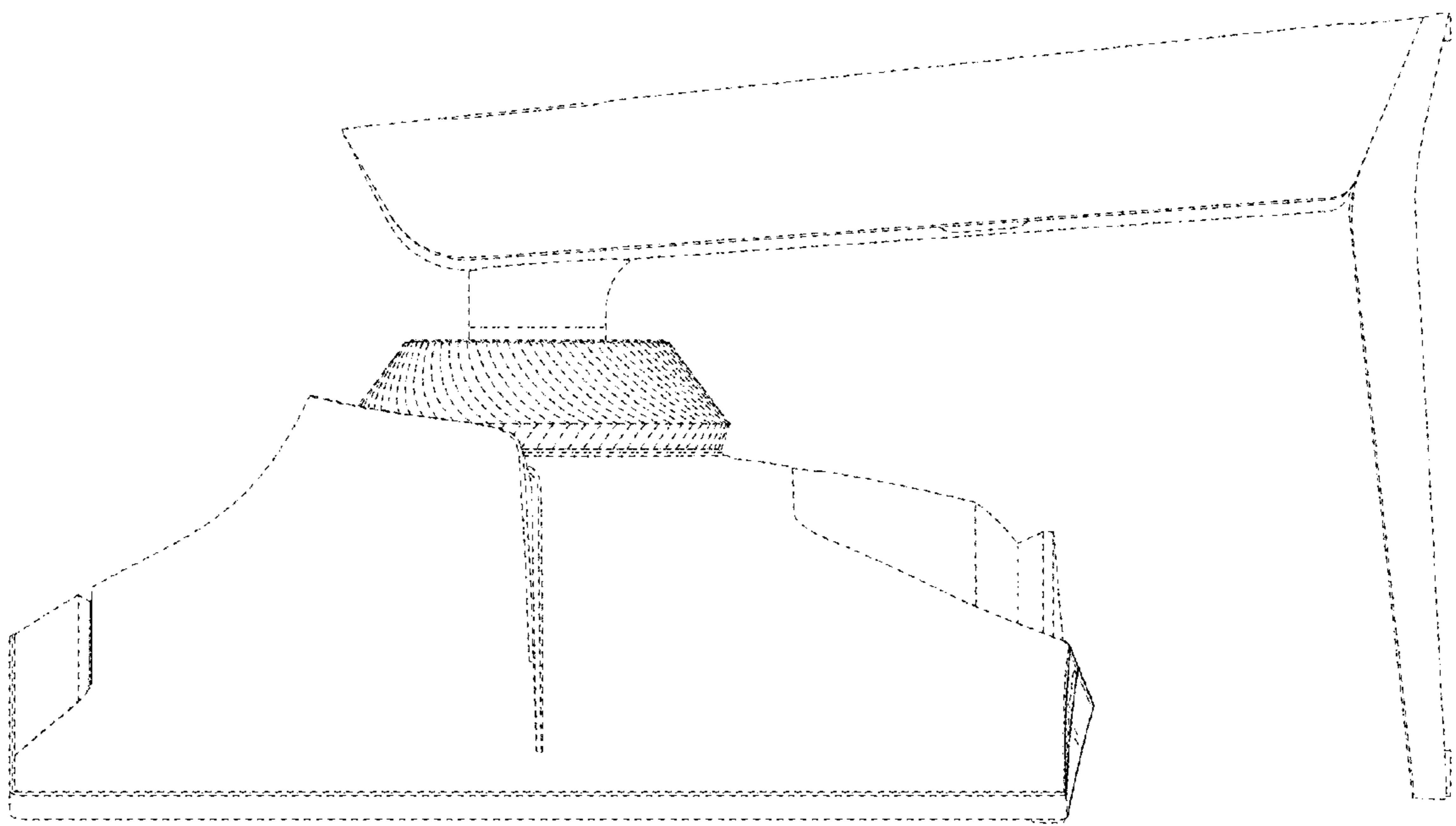


FIG. 6

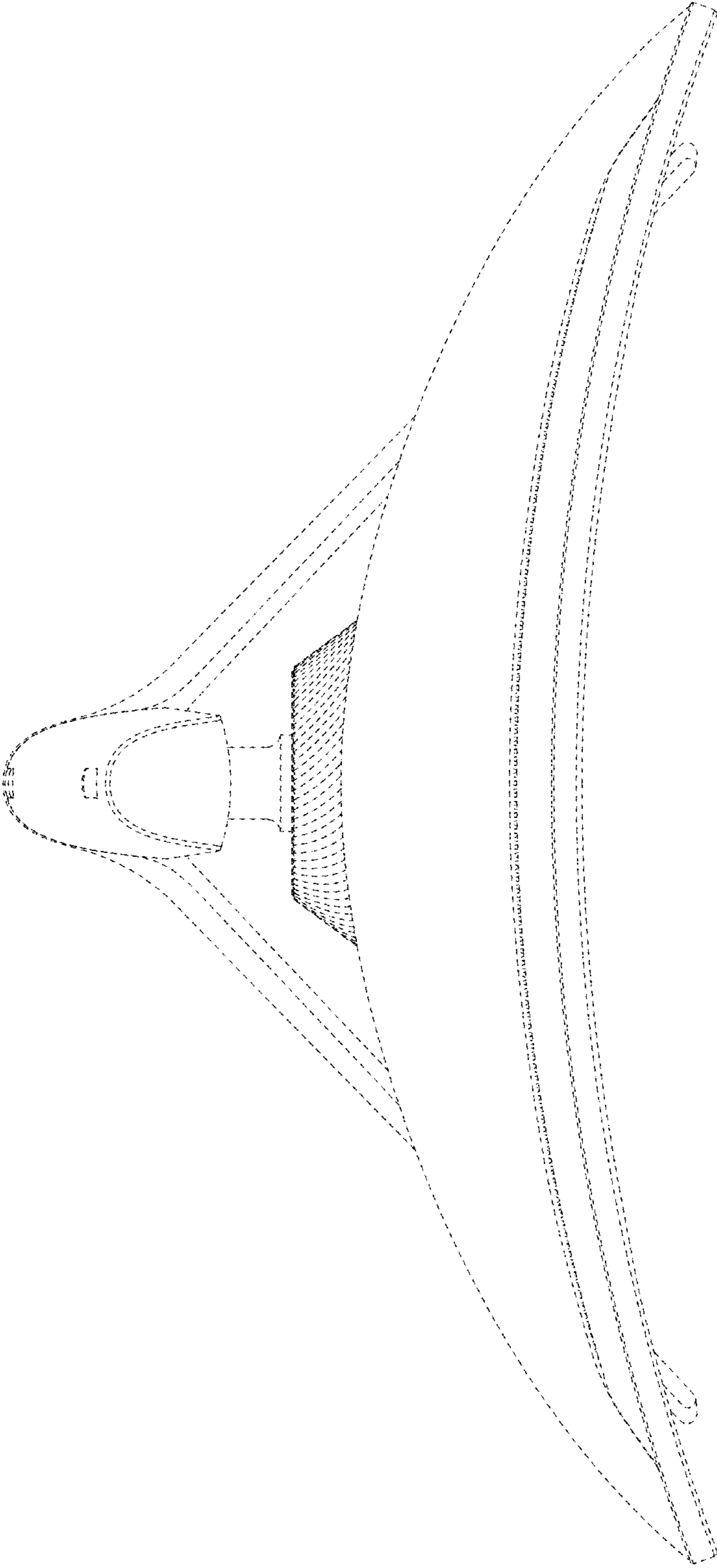


FIG. 7

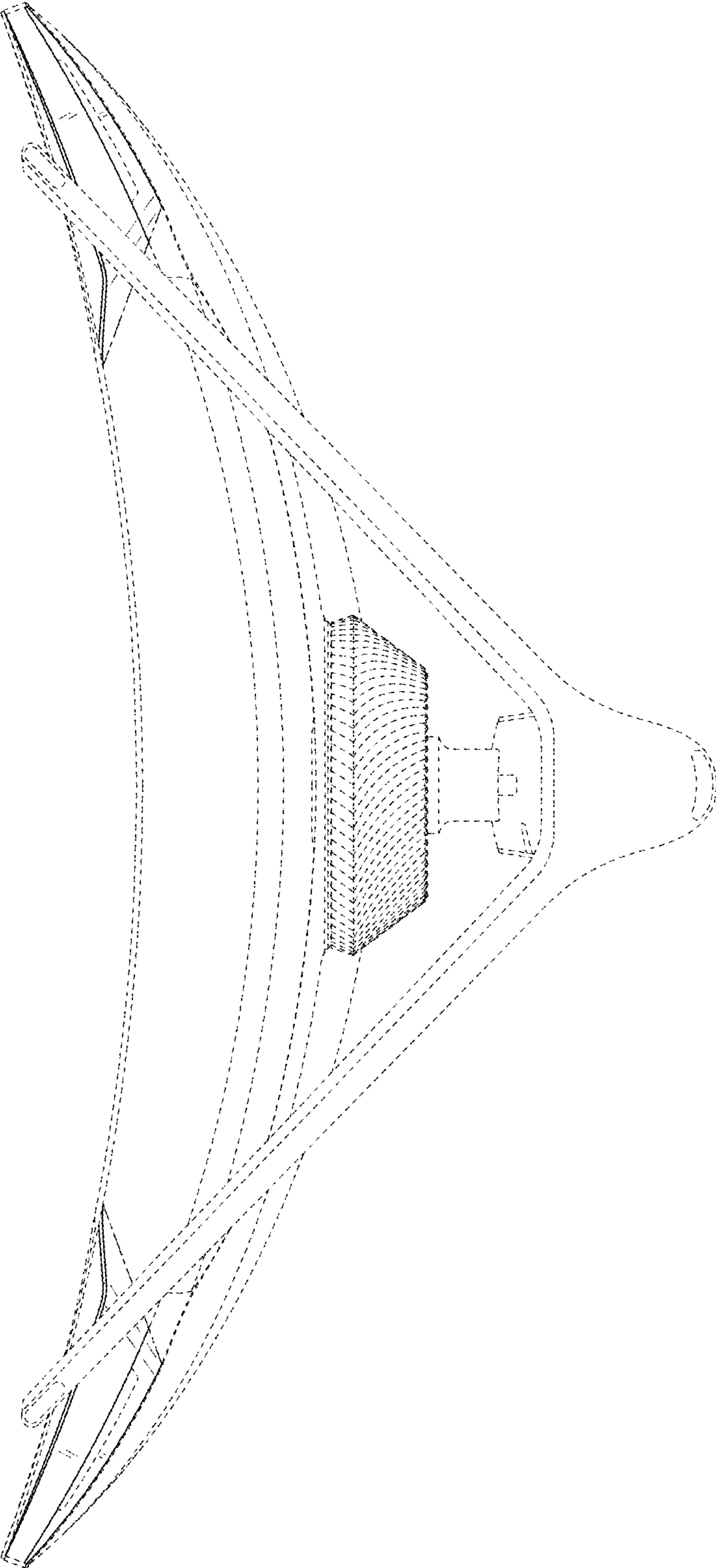


FIG. 8

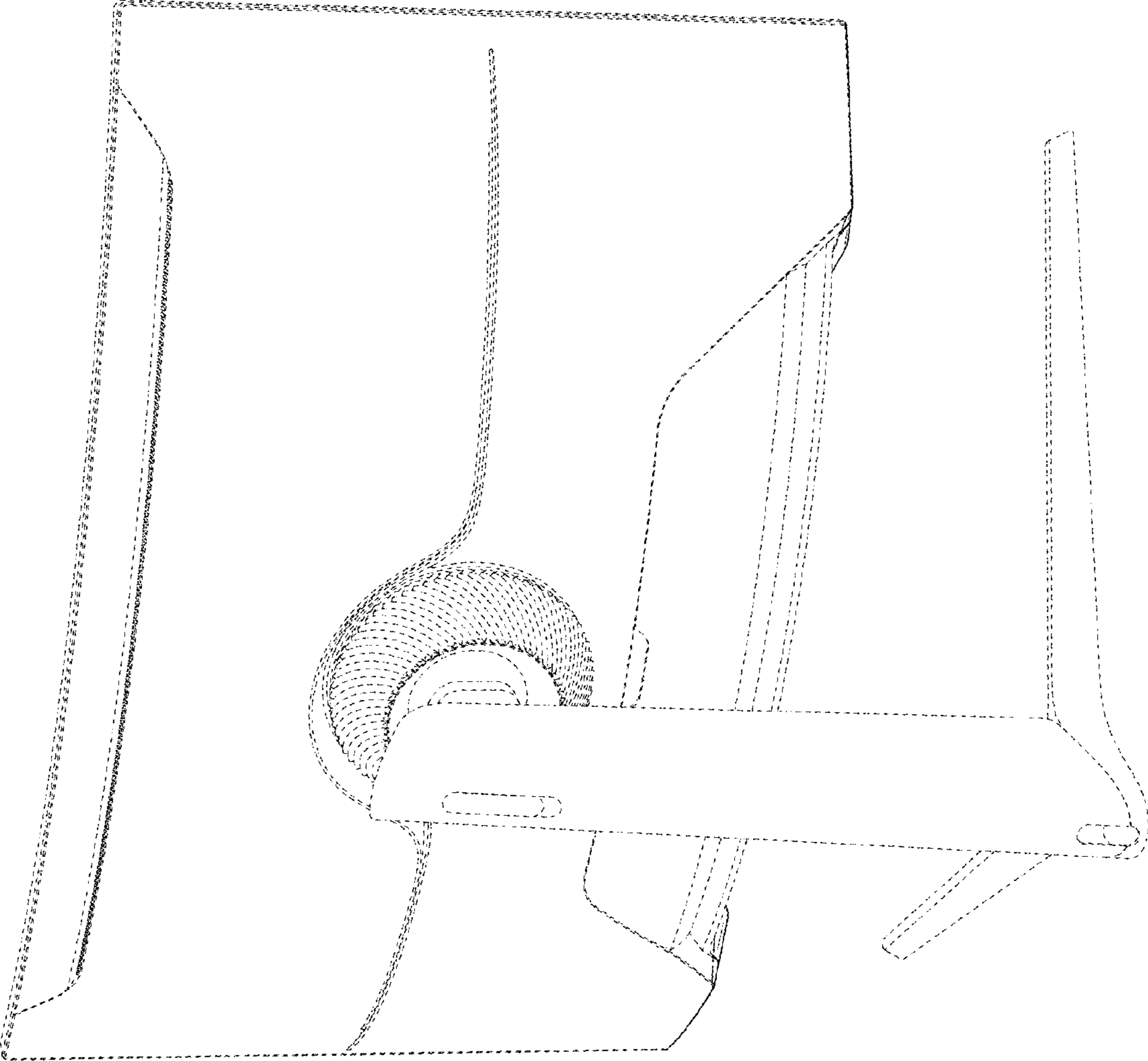


FIG. 9

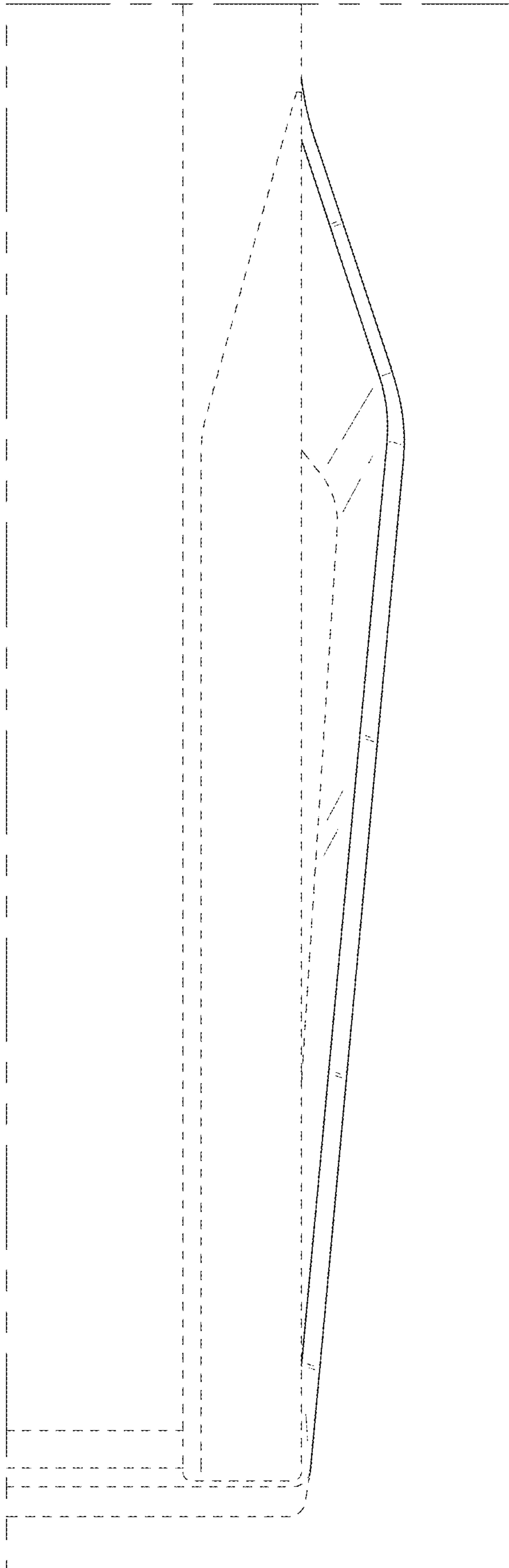


FIG. 10

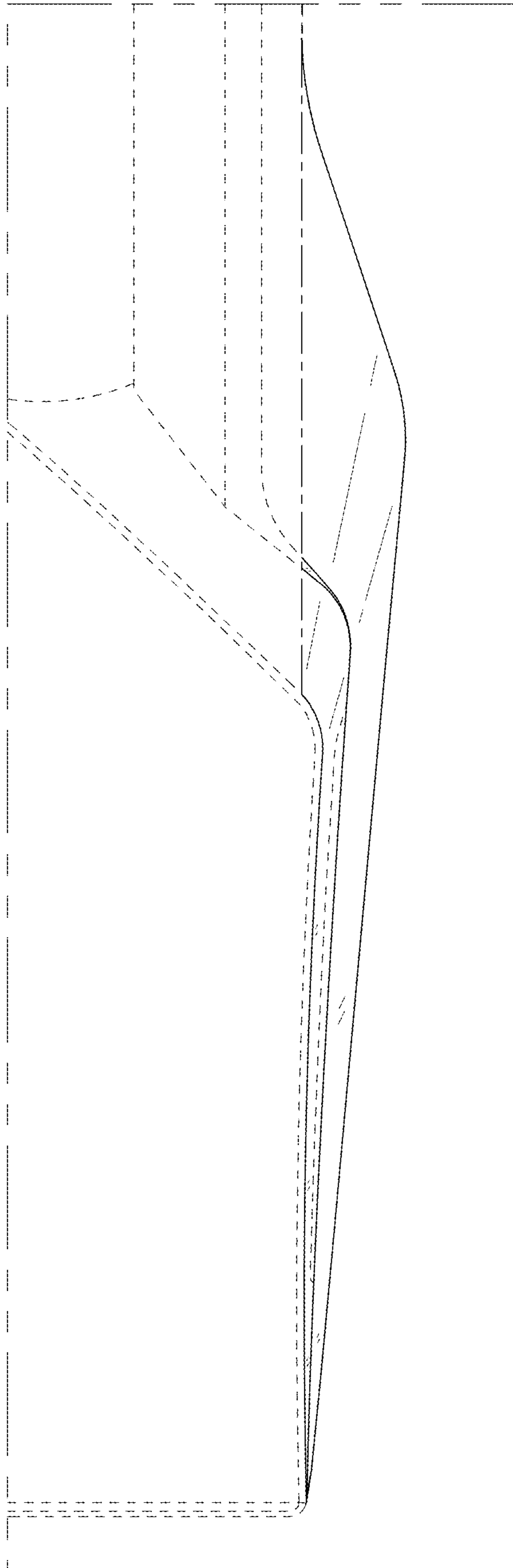


FIG. 11

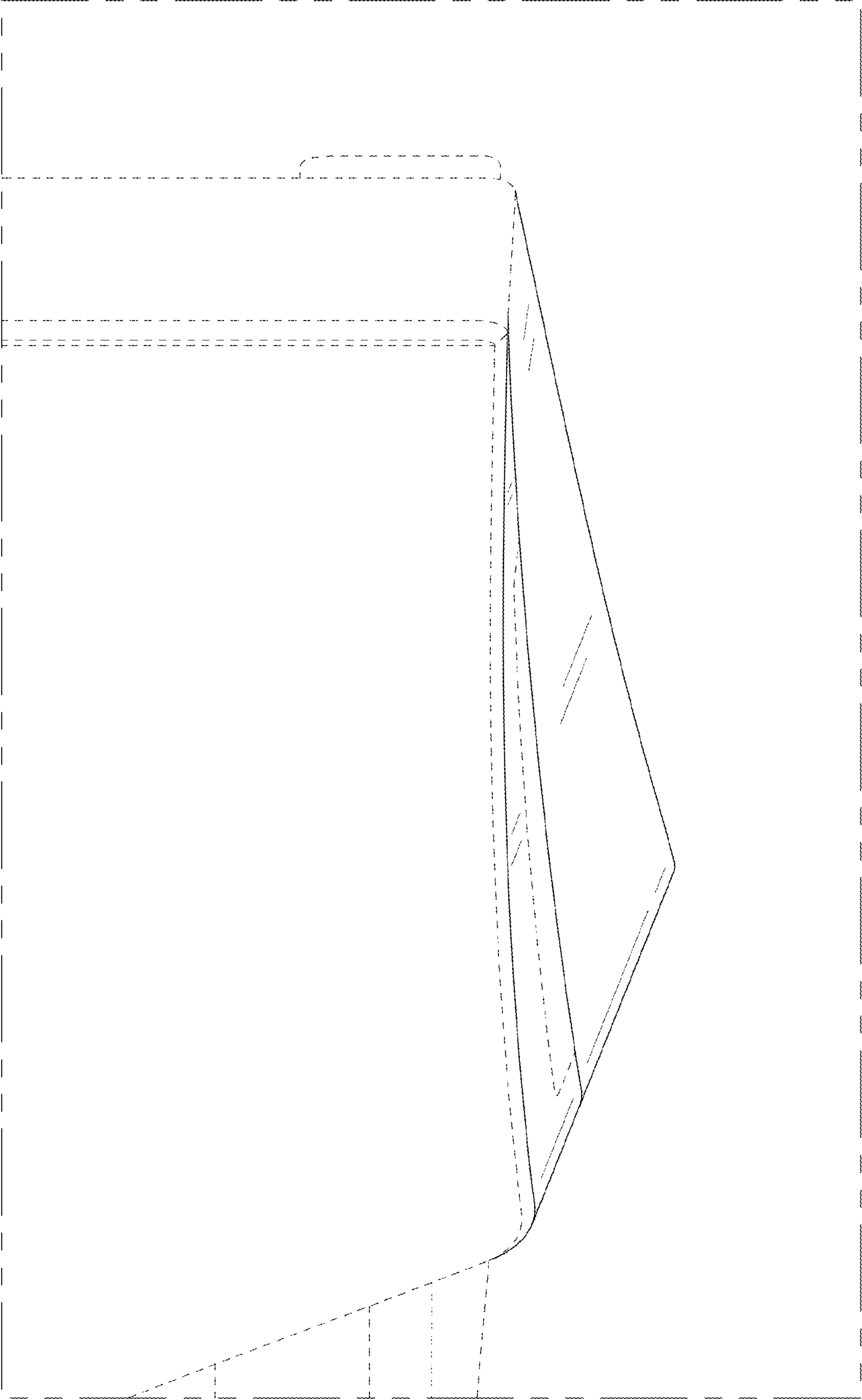


FIG. 12

