



US00D981405S

(12) **United States Design Patent**  
**Liu**

(10) **Patent No.:** **US D981,405 S**  
(45) **Date of Patent:** **\*\* Mar. 21, 2023**

(54) **COMBINED CASE AND BAND FOR SMART WATCH**

D895,471 S 9/2020 Zhang  
D897,866 S \* 10/2020 Yamamoto ..... D10/30  
D899,272 S \* 10/2020 Hashimoto ..... D10/30

(71) Applicant: **Dongguan Feiying Digital Technology Co., Ltd.**, Guangdong (CN)

(Continued)

(72) Inventor: **Shenghao Liu**, Guangdong (CN)

OTHER PUBLICATIONS

(\*\*) Term: **15 Years**

Smart Watches for Men Women, Activing Fitness Tracker, www.amazon.com, Dec. 22, 2020. <https://www.amazon.com/Watches-Activing-Fitness-Monitoring-Waterproof/dp/B08R6V6NH9> (Year: 2020).\*

(21) Appl. No.: **29/841,104**

(Continued)

(22) Filed: **Jun. 2, 2022**

*Primary Examiner* — Llorellys Martinez

(51) **LOC (14) Cl.** ..... **14-02**

*Assistant Examiner* — Kwabena A. Ankobiah

(52) **U.S. Cl.**  
USPC ..... **D14/344**

(57) **CLAIM**

(58) **Field of Classification Search**  
USPC ..... D14/138 R, 344; D10/30–32, 38, 70;  
D11/3; D24/167

The ornamental design for a combined case and band for smart watch, as shown and described.

CPC ..... G04G 17/00; G04G 17/06; G04G 17/08;  
G04G 17/083; G04G 17/045; G04G 21/00;  
G04G 21/02; G04G 21/025; G04G 21/06;  
G04G 21/08; G04G 99/006; G06F 1/163;  
A44C 5/00; A44C 5/0007; A44C 5/0015;  
A44C 5/0045; A44C 5/0053; A44C 5/2052;  
A44C 5/2071

**DESCRIPTION**

See application file for complete search history.

FIG. 1 is a right, rear and top perspective view of a combined case and band for smart watch showing my new design.

(56) **References Cited**

U.S. PATENT DOCUMENTS

D748,994 S 2/2016 Goodman et al.  
D771,504 S \* 11/2016 Lai ..... D10/30  
D781,159 S \* 3/2017 Goto ..... D10/38  
D812,051 S \* 3/2018 Park ..... D14/344  
D818,845 S \* 5/2018 Tan ..... D10/32  
D843,851 S 3/2019 Manzoni  
D856,162 S \* 8/2019 Nakai ..... D10/38  
D860,835 S \* 9/2019 Kojima ..... D10/70  
D874,946 S \* 2/2020 Matsuda ..... D10/30  
D894,033 S 8/2020 Zhang

FIG. 2 is a left, front and bottom perspective view of the combined case and band for smart watch.

FIG. 3 is a front view of the combined case and band for smart watch.

FIG. 4 is a rear view of the combined case and band for smart watch.

FIG. 5 is a left side view of the combined case and band for smart watch.

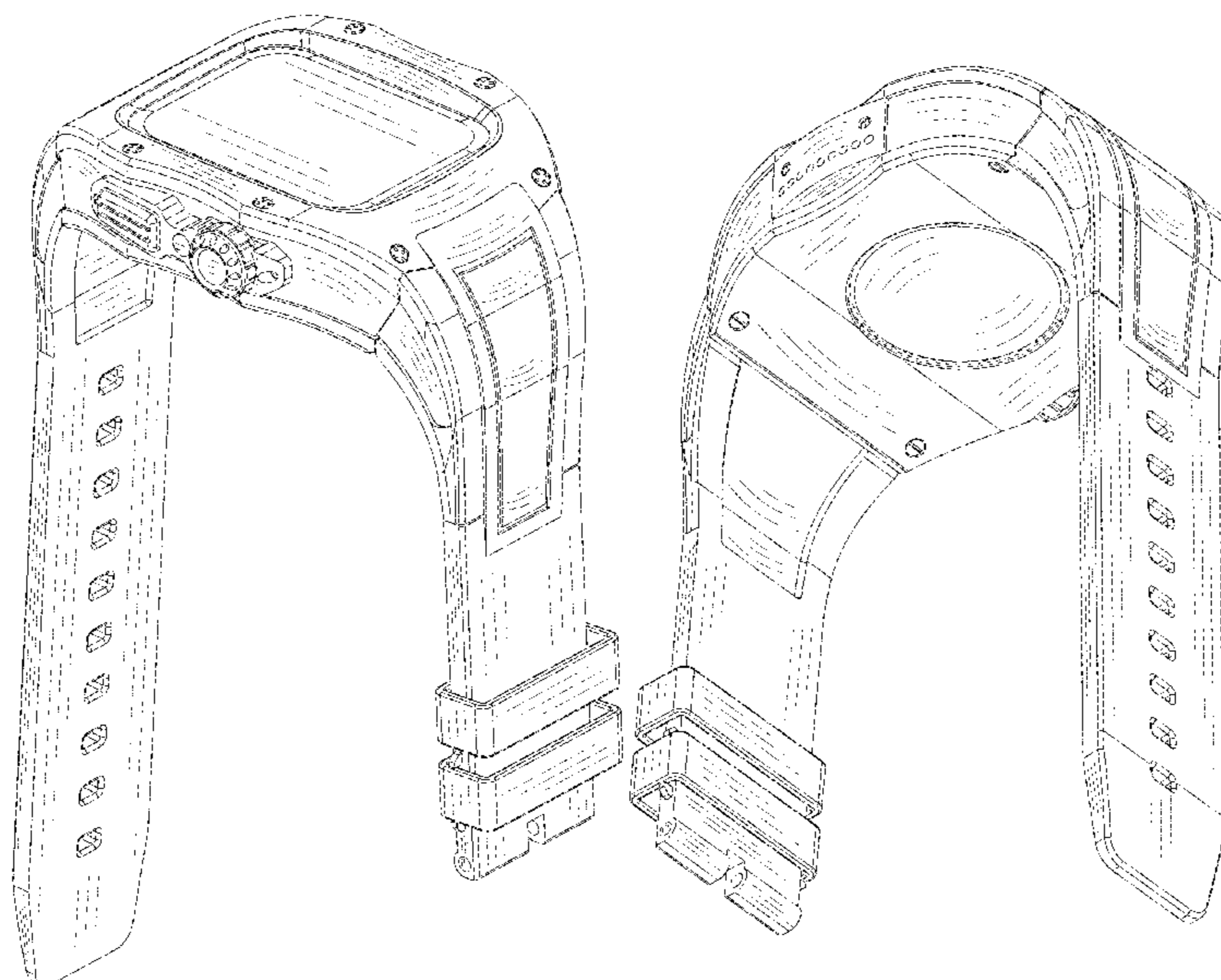
FIG. 6 is a right side view of the combined case and band for smart watch.

FIG. 7 is a top view of combined case and band for smart watch; and,

FIG. 8 is a bottom view of the combined case and band for smart watch.

The broken lines in the drawings depict portions of the combined case and band for smart watch that form no part of the claimed design.

**1 Claim, 8 Drawing Sheets**



(56)

**References Cited**

## U.S. PATENT DOCUMENTS

D912,534 S \* 3/2021 Matsuda ..... D10/30  
D912,541 S \* 3/2021 Hashimoto ..... D10/38  
D922,882 S \* 6/2021 Amikura ..... D10/30  
D923,491 S \* 6/2021 Yamamoto ..... D10/30  
D924,076 S \* 7/2021 Hashimoto ..... D10/30  
D924,077 S \* 7/2021 Suzuki ..... D10/30  
D927,323 S \* 8/2021 Morisawa ..... D14/344  
D927,326 S \* 8/2021 Hashimoto ..... D10/38  
D927,992 S \* 8/2021 Kojima ..... D10/38  
D929,243 S \* 8/2021 Xu ..... D14/344  
D934,699 S \* 11/2021 Matsuda ..... D10/30  
D936,051 S \* 11/2021 Yamamoto ..... D14/344  
D938,417 S \* 12/2021 Yamamoto ..... D14/344  
D939,360 S \* 12/2021 Qu ..... D10/32  
D940,704 S \* 1/2022 Weng ..... D14/344  
D949,711 S \* 4/2022 Huang ..... D10/32  
D951,124 S 5/2022 Deng  
D952,495 S \* 5/2022 Yamamoto ..... D10/126  
D955,910 S \* 6/2022 Deng ..... D10/32  
D955,912 S \* 6/2022 Ma ..... D10/32  
D962,083 S \* 8/2022 Zheng ..... D10/32  
D964,864 S \* 9/2022 Zheng ..... D10/32

## OTHER PUBLICATIONS

Kospet Rock Smartwatch Review, [www.techxreviews.com](http://www.techxreviews.com), Mar. 27, 2021. <https://techxreviews.com/kospet-rock-smartwatch-review/> (Year: 2021).\*

Blackview R6 IP68 Rugged Outdoor GPS Smart Watch, [www.store.blackview.hk](http://www.store.blackview.hk), Aug. 9, 2021. <https://store.blackview.hk/products/blackview-r6-ip68-rugged-outdoor-gps-smart-watch> (Year: 2021).\*

\* cited by examiner

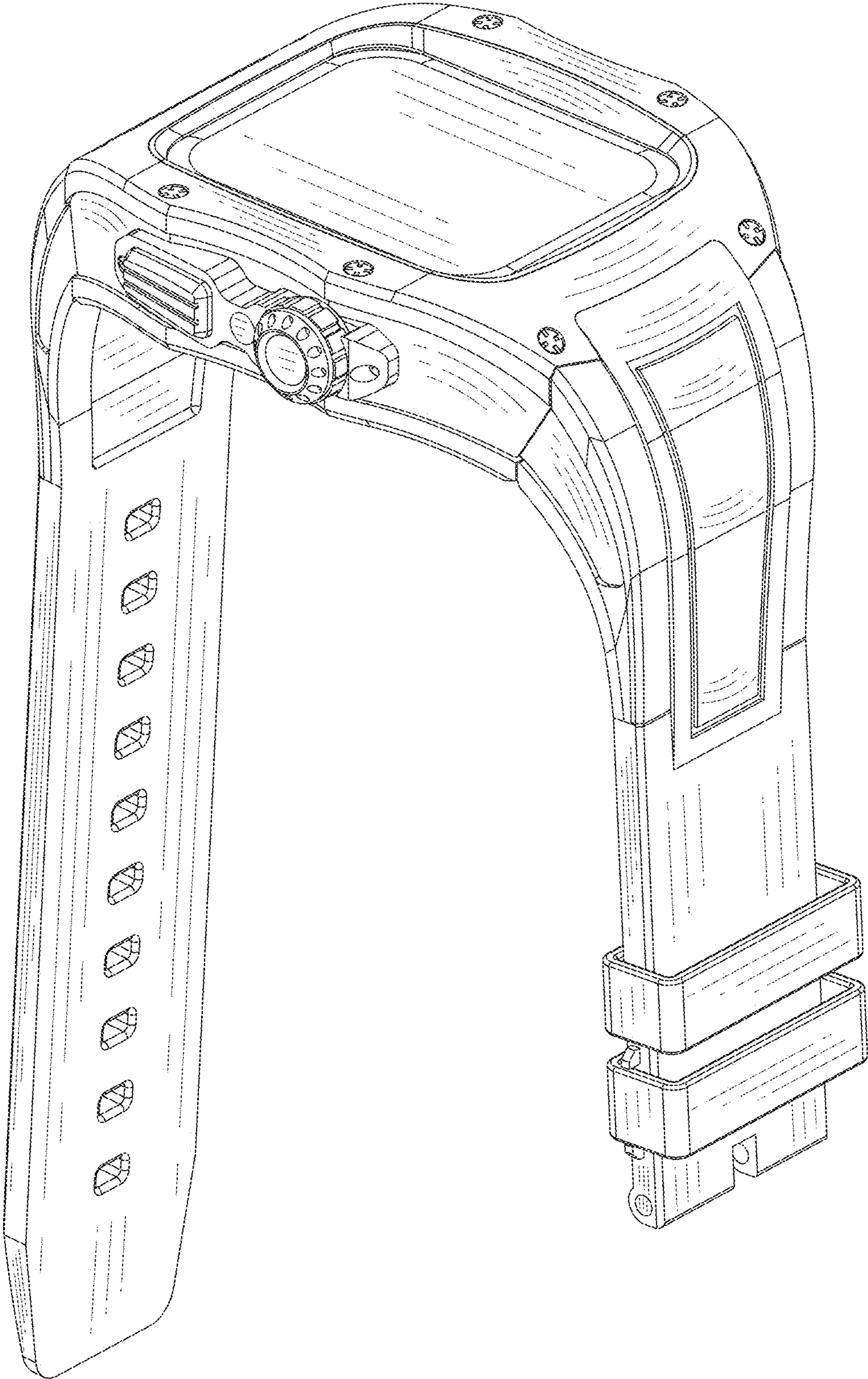


FIG. 1

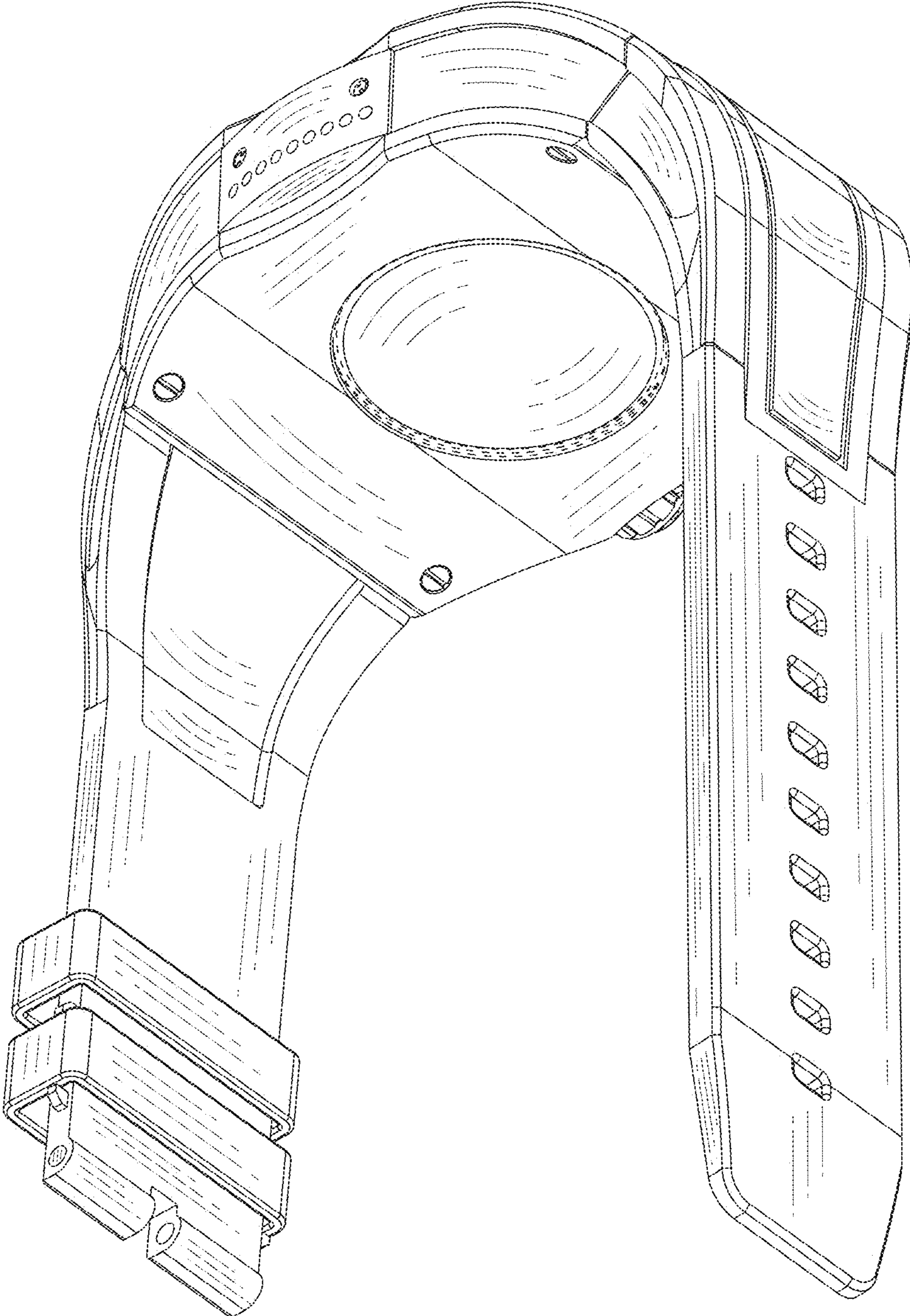


FIG. 2

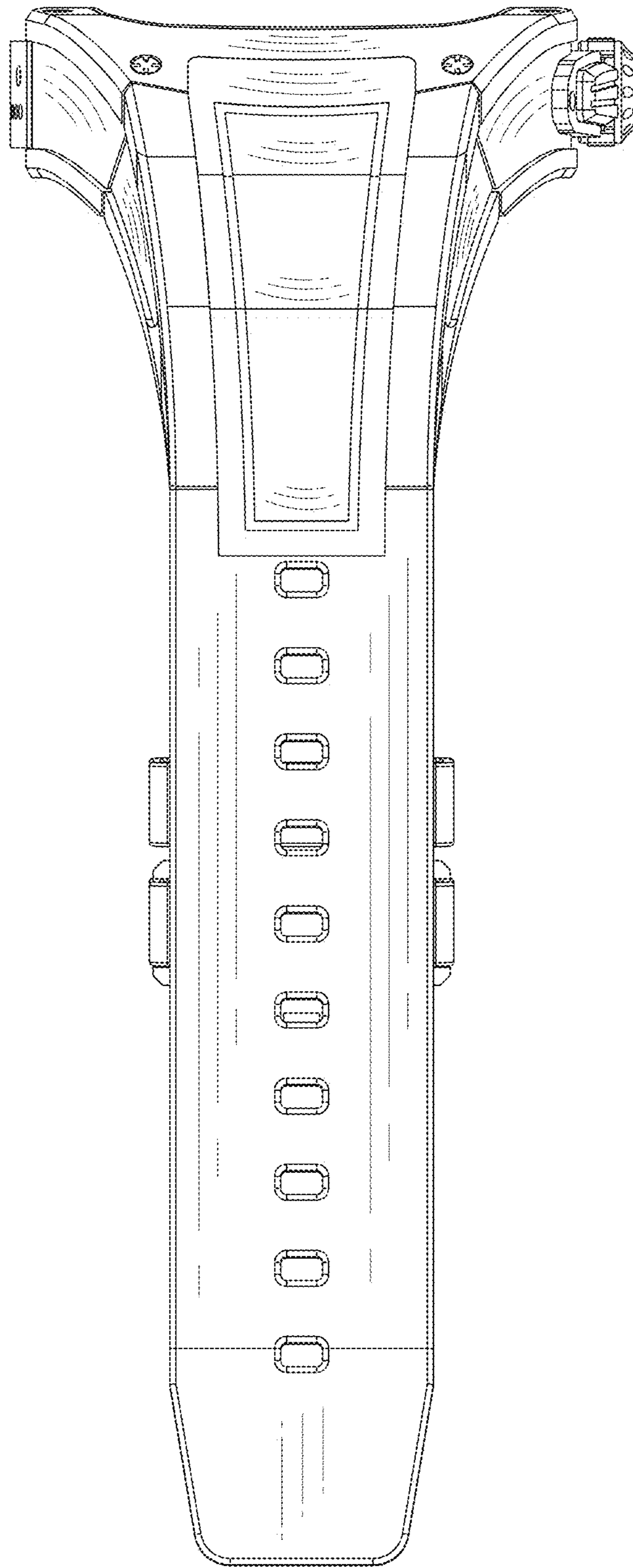


FIG. 3

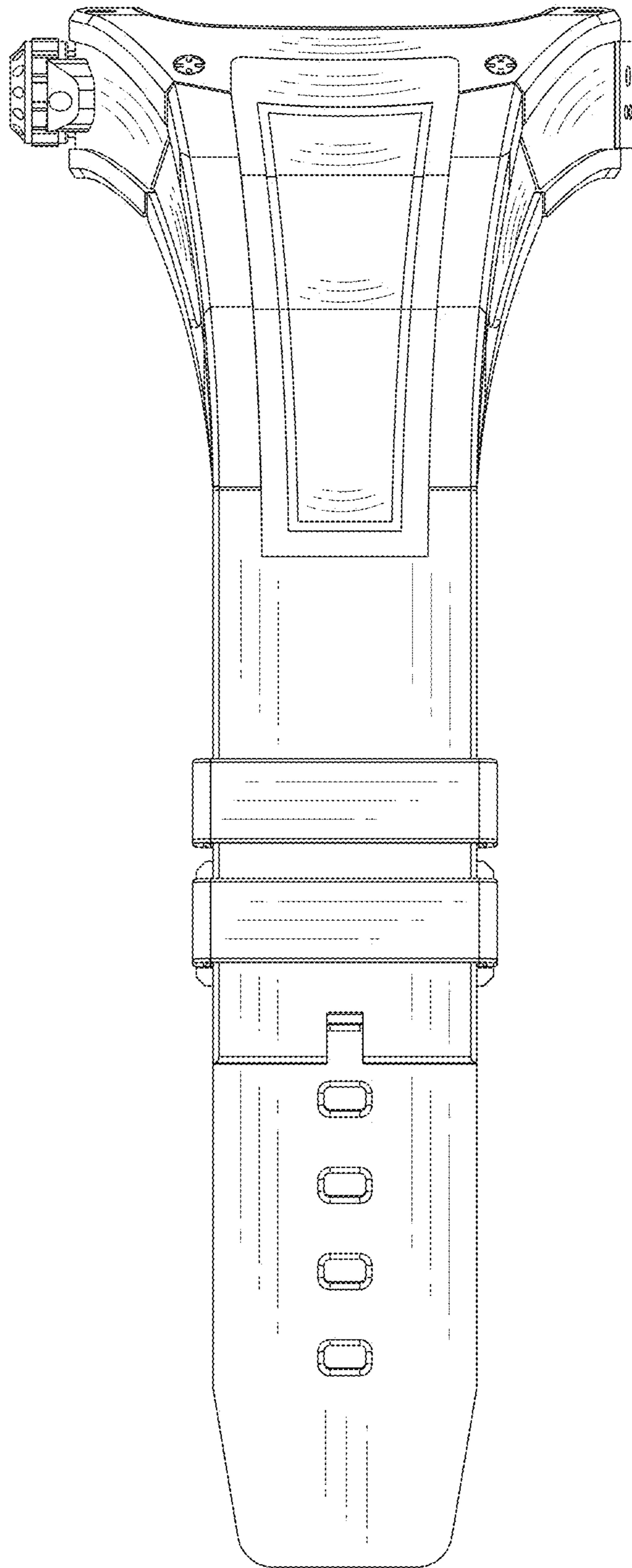


FIG. 4

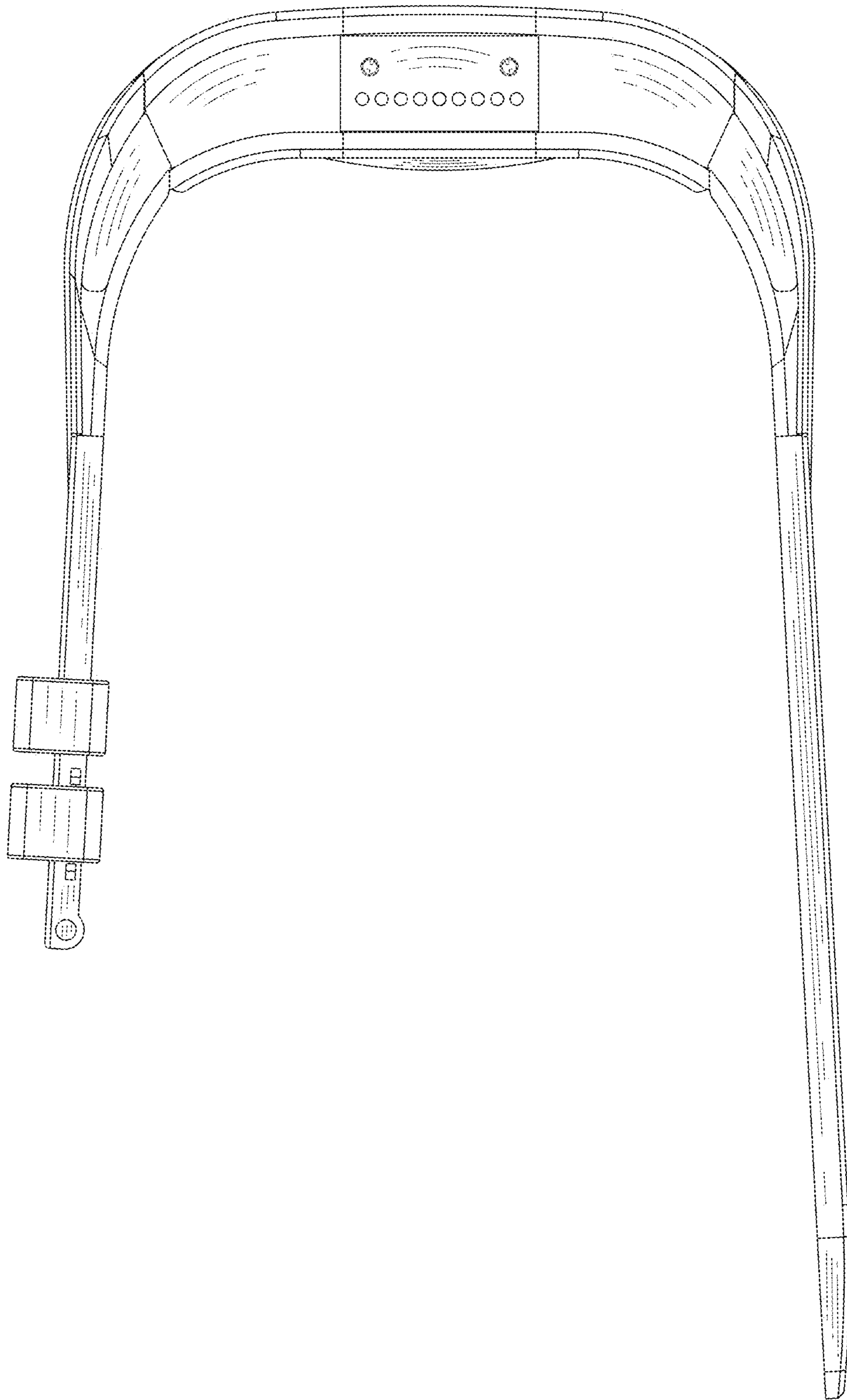


FIG. 5

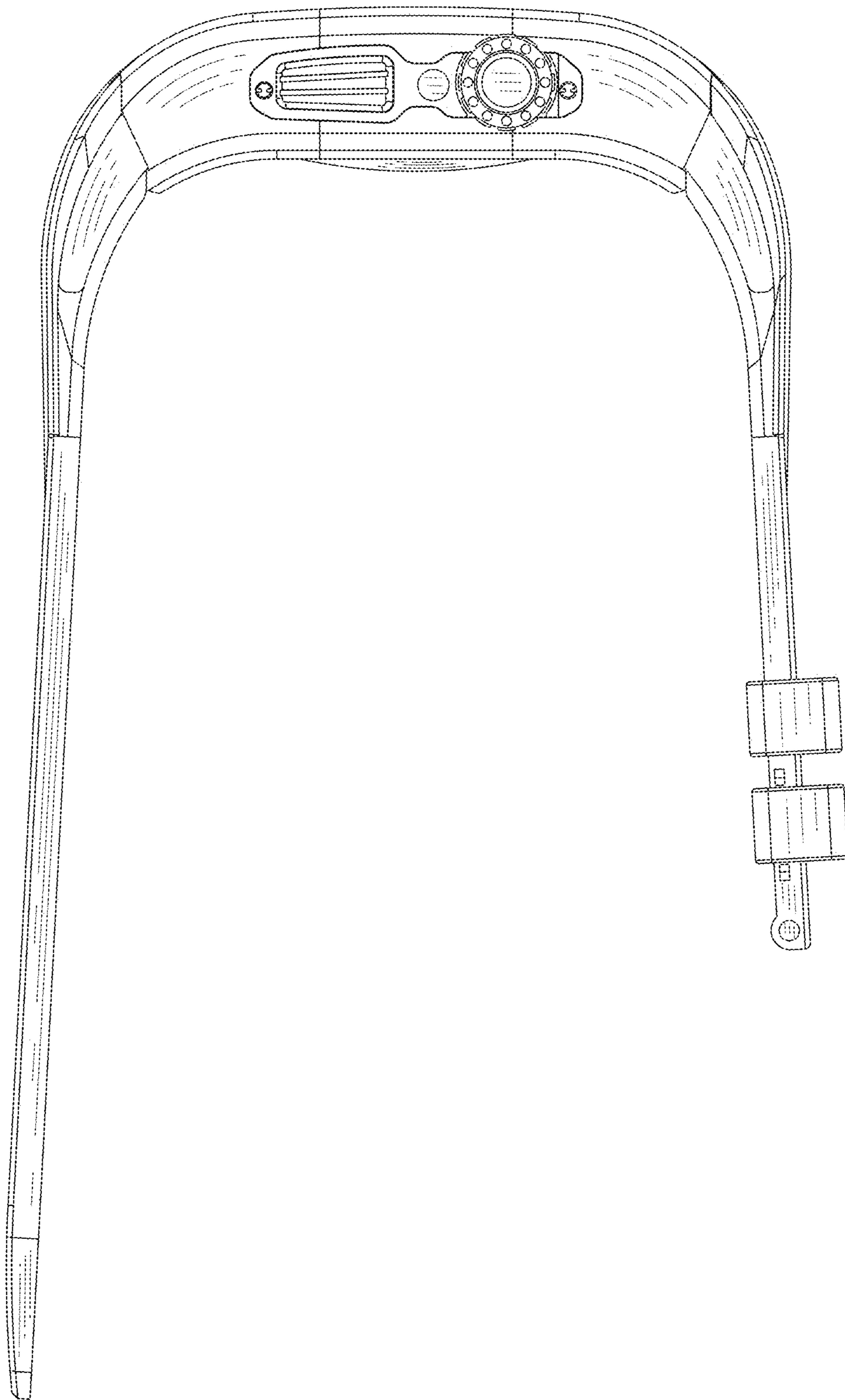


FIG. 6



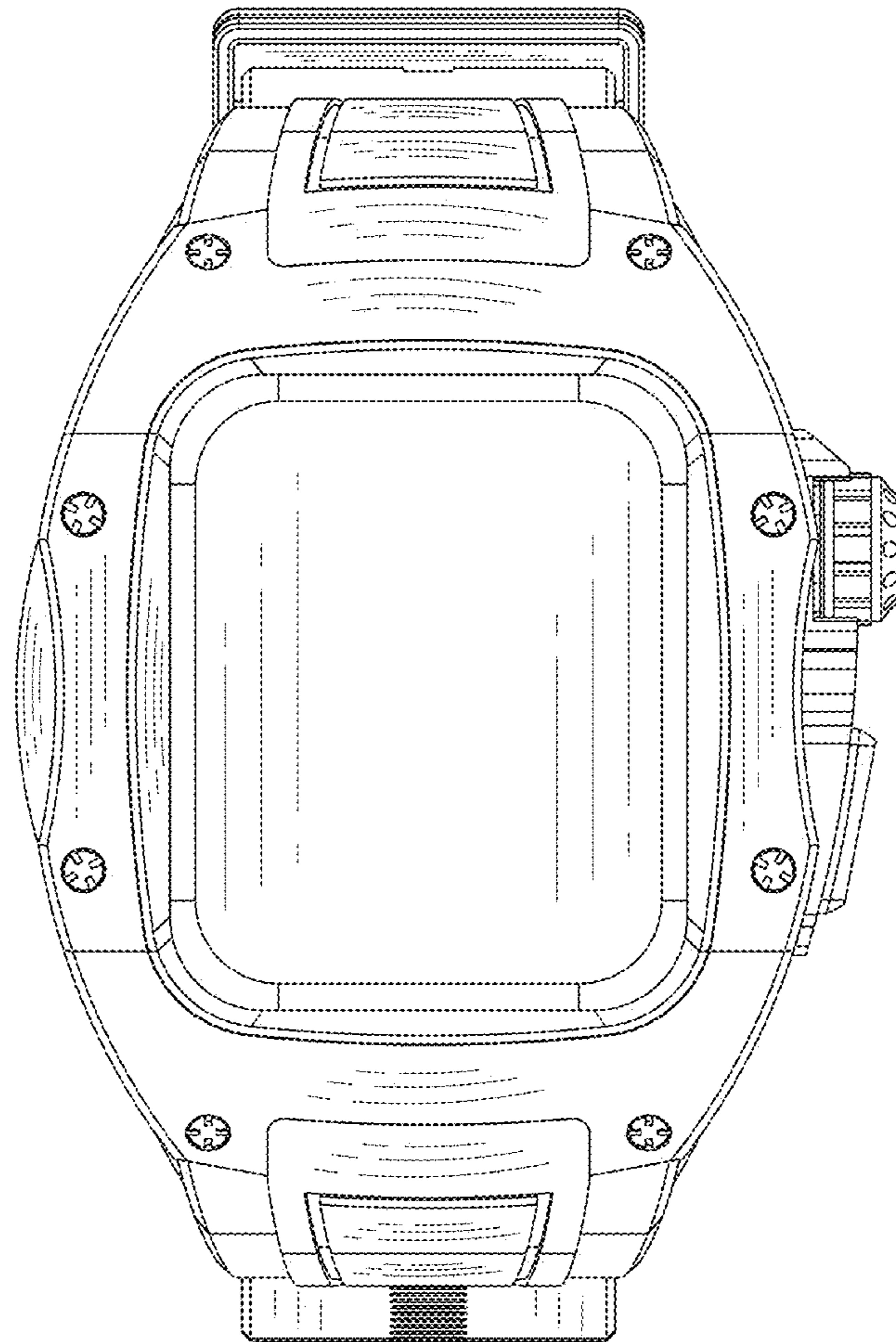


FIG. 7

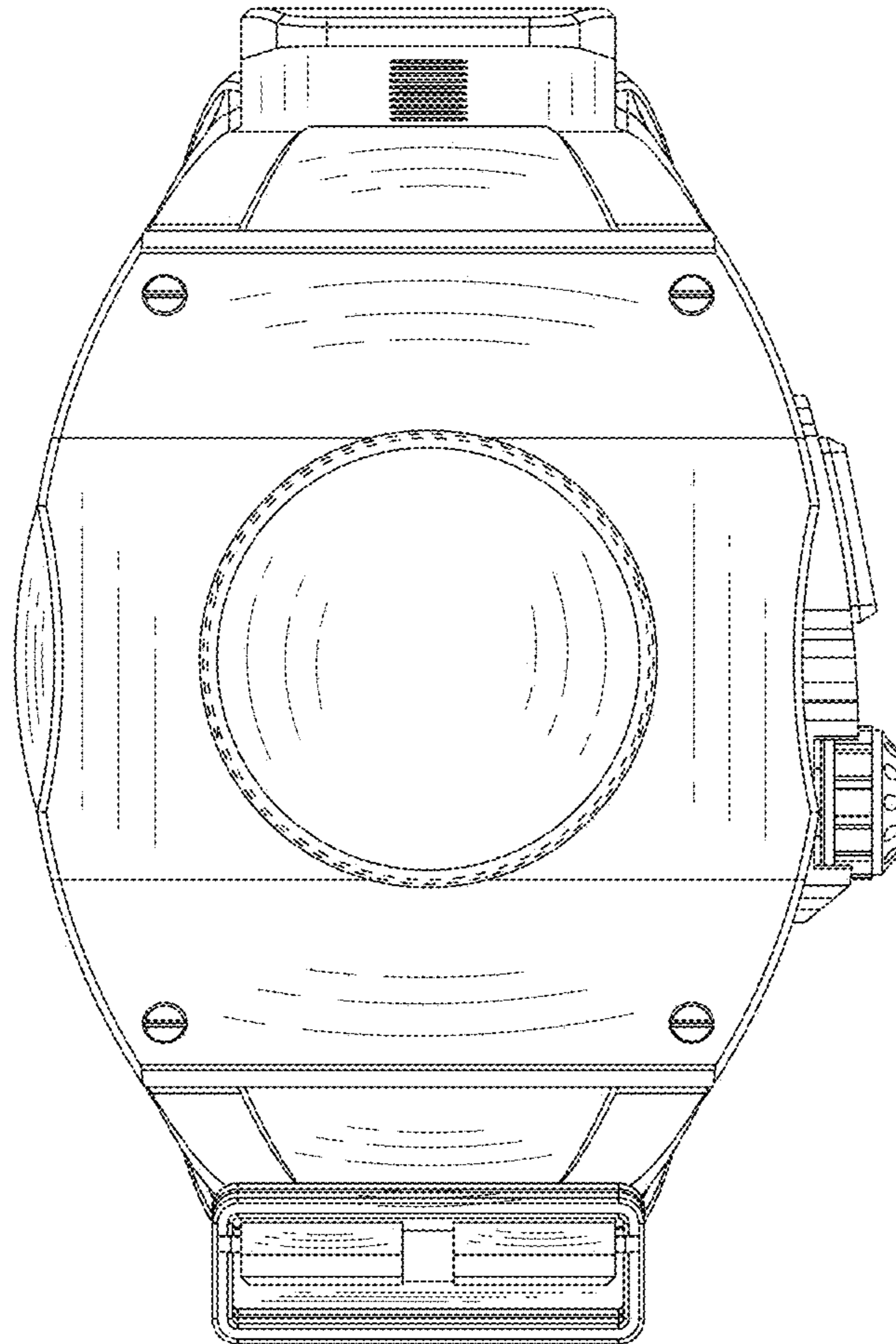


FIG. 8