



US00D981404S

(12) **United States Design Patent**
Chao et al.

(10) **Patent No.:** **US D981,404 S**
(45) **Date of Patent:** **** Mar. 21, 2023**

(54) **SMART WATCH**

(71) Applicants: **Zepp, Inc.**, Cupertino, CA (US); **Anhui Huami Information Technology Co., Ltd.**, Hefei (CN)

(72) Inventors: **Wei Po Chao**, Cupertino, CA (US); **Luying Cao**, Anhui (CN)

(73) Assignees: **Zepp, Inc.**, Cupertino, CA (US); **Anhui Huami Information Technology Co., Ltd.**, Anhui (CN)

(**) Term: **15 Years**

(21) Appl. No.: **29/740,781**

(22) Filed: **Jul. 7, 2020**

(51) **LOC (14) Cl.** **14-02**

(52) **U.S. Cl.**
USPC **D14/344**

(58) **Field of Classification Search**
USPC D14/138 R, 344; D10/30, 31, 32, 38, 70;
D11/3; D24/167

(Continued)

(56) **References Cited**

U.S. PATENT DOCUMENTS

D682,712 S * 5/2013 Lammers-Meis D10/38
D743,282 S 11/2015 Park et al.

(Continued)

FOREIGN PATENT DOCUMENTS

JP 1589834 S 11/2017
JP 1665054 S 8/2020
KR 300997937 S 3/2019

OTHER PUBLICATIONS

Fossil Gen 3 Smartwatch Rose Gold-tone Stainless Steel, www.ebay.com, Jul. 4, 2020. <https://www.ebay.com/itm/Fossil-Gen-3-Smartwatch-Rose-Gold-tone-Stainless-Steel-FTW6005-DW5A-/203038950509> (Year: 2020).*

(Continued)

Primary Examiner — Llorelys Martinez

Assistant Examiner — Kwabena A. Ankobiah

(74) *Attorney, Agent, or Firm* — Young Basile Hanlon & MacFarlane, P.C.

(57) **CLAIM**

The ornamental design for a smart watch, as shown and described.

DESCRIPTION

FIG. 1 is a top, front, and right perspective view of a first embodiment of the smart watch showing our new design.

FIG. 2 is a front view of the smart watch of FIG. 1.

FIG. 3 is a rear view of the smart watch of FIG. 1.

FIG. 4 is a right side view of the smart watch of FIG. 1.

FIG. 5 is a left side view of the smart watch of FIG. 1.

FIG. 6 is a bottom view of the smart watch of FIG. 1.

FIG. 7 is a top view of the smart watch of FIG. 1.

FIG. 8 is a top, front, and right perspective view of a second embodiment of the smart watch.

FIG. 9 is a front view of the smart watch of FIG. 8.

FIG. 10 is a rear view of the smart watch of FIG. 8.

FIG. 11 is a right side view of the smart watch of FIG. 8.

FIG. 12 is a left side view of the smart watch of FIG. 8.

FIG. 13 is a bottom view of the smart watch of FIG. 8.

FIG. 14 is a top view of the smart watch of FIG. 8.

FIG. 15 is a top, front, and right perspective view of a third embodiment of the smart watch.

FIG. 16 is a front view of the smart watch of FIG. 15.

FIG. 17 is a rear view of the smart watch of FIG. 15.

FIG. 18 is a right side view of the smart watch of FIG. 15.

FIG. 19 is a left side view of the smart watch of FIG. 15.

FIG. 20 is a bottom view of the smart watch of FIG. 15.

FIG. 21 is a top view of the smart watch of FIG. 15.

FIG. 22 is a top, front, and right perspective view of a fourth embodiment of the smart watch.

FIG. 23 is a front view of the smart watch of FIG. 22.

FIG. 24 is a rear view of the smart watch of FIG. 22.

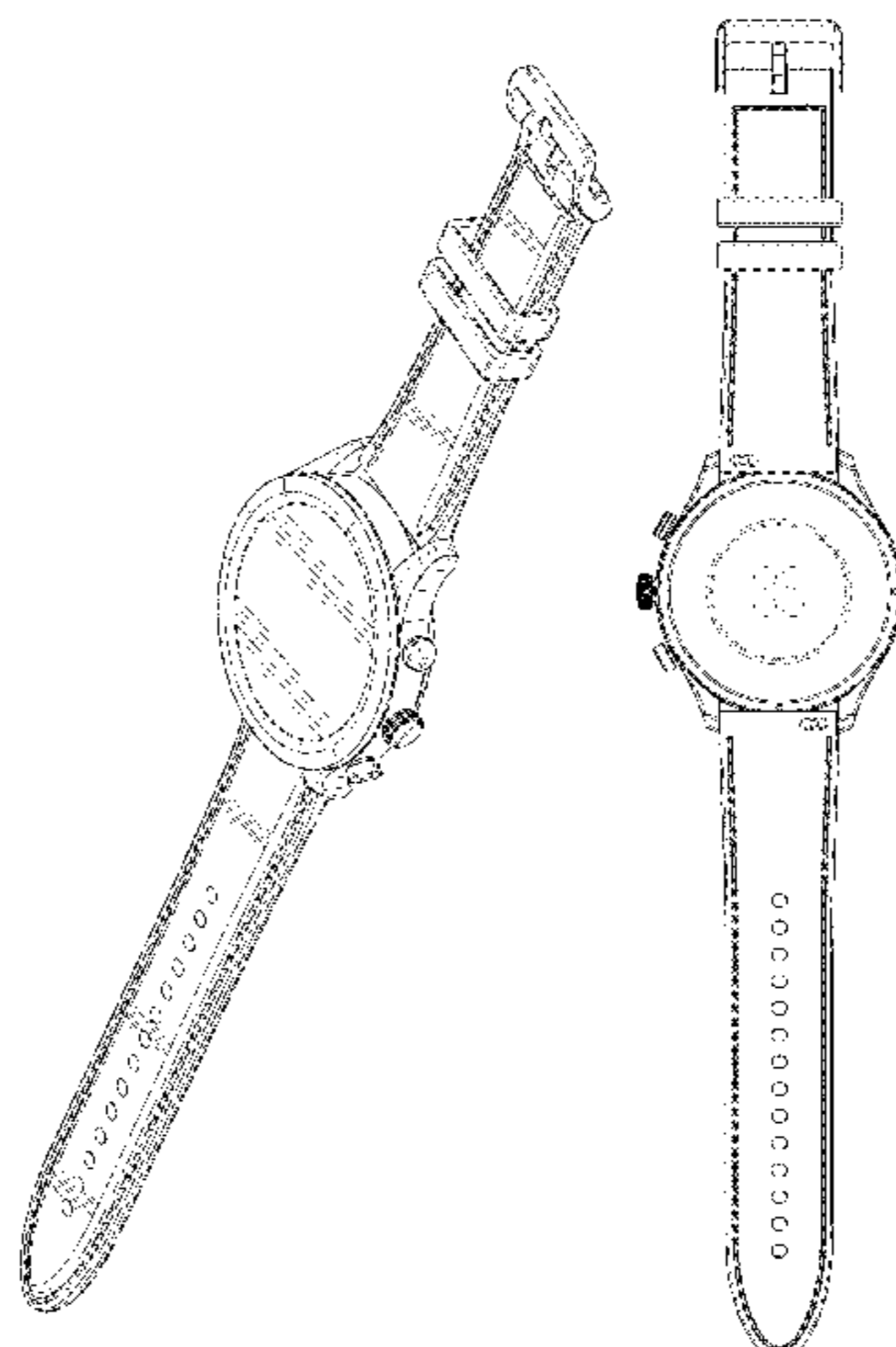
FIG. 25 is a right side view of the smart watch of FIG. 22.

FIG. 26 is a left side view of the smart watch of FIG. 22.

FIG. 27 is a bottom view of the smart watch of FIG. 22; and,

FIG. 28 is a top view of the smart watch of FIG. 22.

(Continued)



The broken lines in the drawings illustrate portions of the smart watch that form no part of the claimed design.

1 Claim, 12 Drawing Sheets

(58) Field of Classification Search

CPC G04G 17/00; G04G 17/06; G04G 17/08;
G04G 17/083; G04G 17/045; G04G
21/00; G04G 21/02; G04G 21/025; G04G
21/06; G04G 21/08; G04G 99/006; G06F
1/163; A44C 5/00; A44C 5/0007; A44C
5/0015; A44C 5/0045; A44C 5/0053;
A44C 5/2052; A44C 5/2071

See application file for complete search history.

(56) References Cited

U.S. PATENT DOCUMENTS

D752,583 S *	3/2016	Solomon	D14/344
D767,566 S *	9/2016	Morgenroth	D14/344
D815,090 S *	4/2018	Chan	D14/344
D844,458 S *	4/2019	Lillquist	D10/30
D848,864 S *	5/2019	Mockler	D10/30
D857,528 S *	8/2019	Moilanen	D14/344
D860,820 S *	9/2019	Bove	A45C 11/10 D10/32
D862,251 S *	10/2019	Okazaki	D10/30
D876,966 S *	3/2020	Shi	D14/344
D890,750 S *	7/2020	Reivo	D14/344
D912,539 S *	3/2021	Connor	D14/344
D913,118 S *	3/2021	Moilanen	D14/344
D918,059 S *	5/2021	Wang	D14/344
D927,325 S *	8/2021	Droze	D10/32

D928,147 S *	8/2021	Lee	D14/344
D928,633 S *	8/2021	Register	D14/344
D929,396 S *	8/2021	Zou	D14/344
D944,100 S *	2/2022	Register	D10/128
D945,415 S *	3/2022	Chao	D14/344
D956,236 S *	6/2022	Chao	D10/38
D960,153 S *	8/2022	Wu	D14/344
D961,585 S *	8/2022	He	D14/344
D962,931 S *	9/2022	He	D14/344
D973,656 S *	12/2022	Chung	D14/344

OTHER PUBLICATIONS

Smart Watch for Women, AGPTEK Smartwatch for Android and iOS Phones, www.amazon.com, Sep. 8, 2020. https://www.amazon.com/dp/B08HMRY8NG/ref=sspa_dk_detail_6?pd_rd_i=B08HMRY8NG (Year: 2020).*

Heart Guide; HCR-6900T; <https://www.j-platpat.inpit.go.jp/d0200>; pp. 1-3; Sep. 1, 2021.

Emporio Armani Emporio Arm Ani Connected Display; <https://www.softbankselection.jp/cart/ProductDetail.aspx?sku=4549097686682>; pp. 1-3; Jan. 19, 2018.

ForeAthlete 645 Music Black 01001863D0; <https://www.kenko.com/P8769338/p.html>; Rakuten Direct; pp. 1-3; Feb. 7, 2020.

Approach S40 Gray; <https://www.garmin.co.jp/products/intosports/approach-s40-gray>; Garmin Japan Home; Garmin Ltd.; pp. 1-3; Jun. 3, 2019.

The Flip Clock Wristwatch—Hammacher Schlemmer; <http://www.hammacher.com/Product/81442?promo=Category-NewArrivals&catid=60>; pp. 1-3; Aug. 22, 2011.

International Designs Bulletin; <https://www.wipo.int/haguebulletin/tran/details/970029853>; Smart Watch; Huawei Technologies Co., Ltd.; pp. 1-9; Nov. 15, 2019.

* cited by examiner

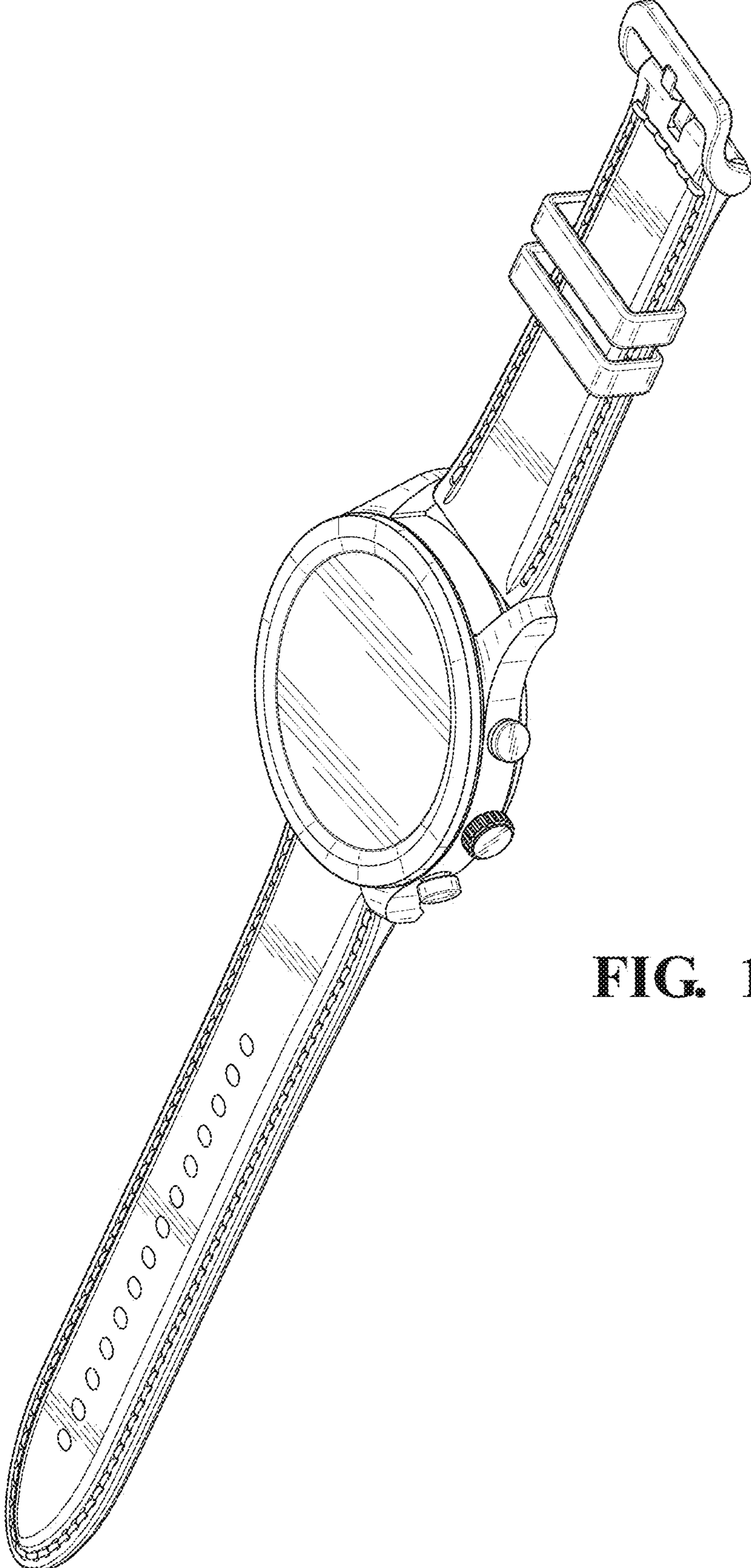


FIG. 1

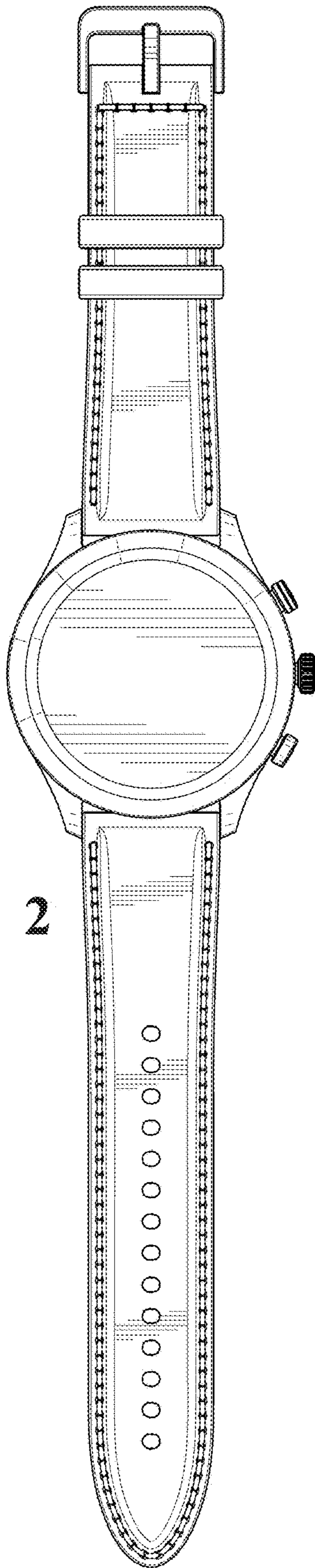


FIG. 2

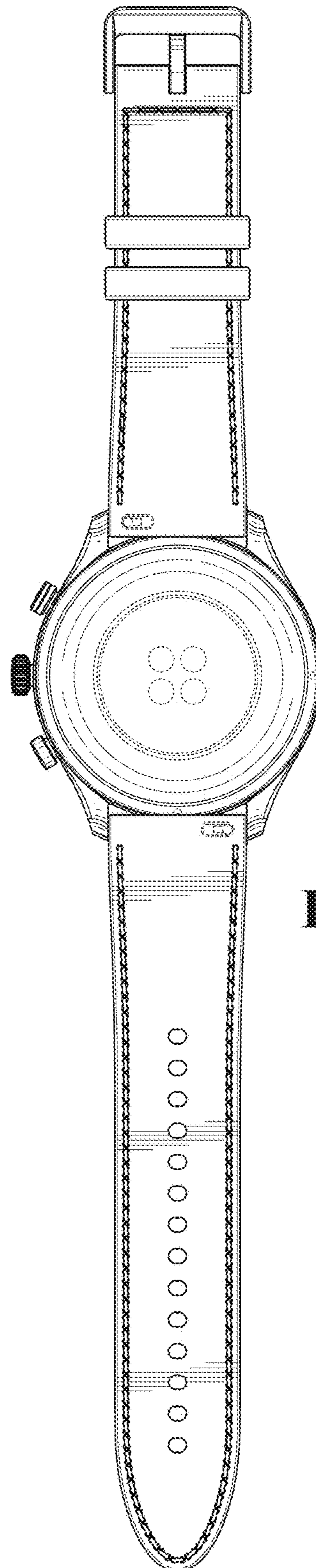


FIG. 3

FIG. 4

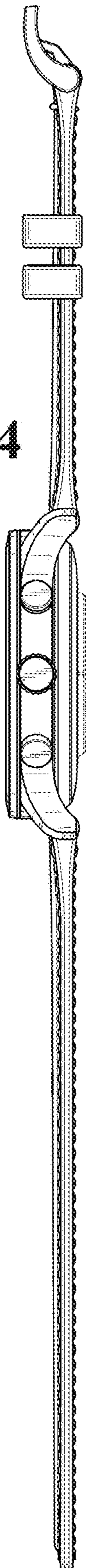


FIG. 5

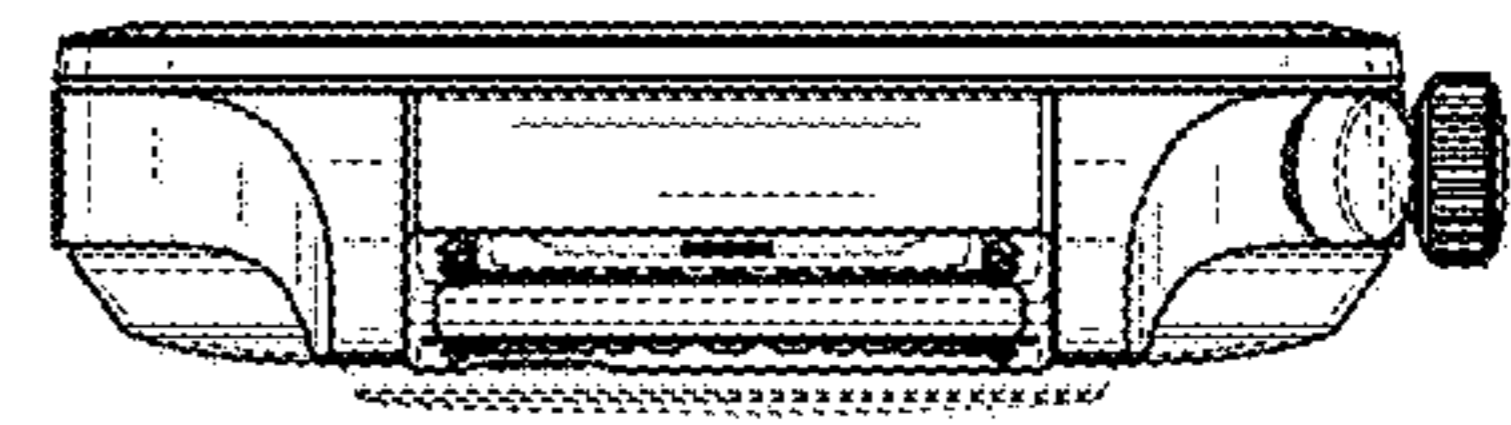
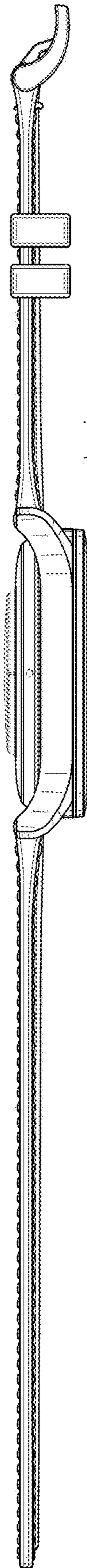


FIG. 6

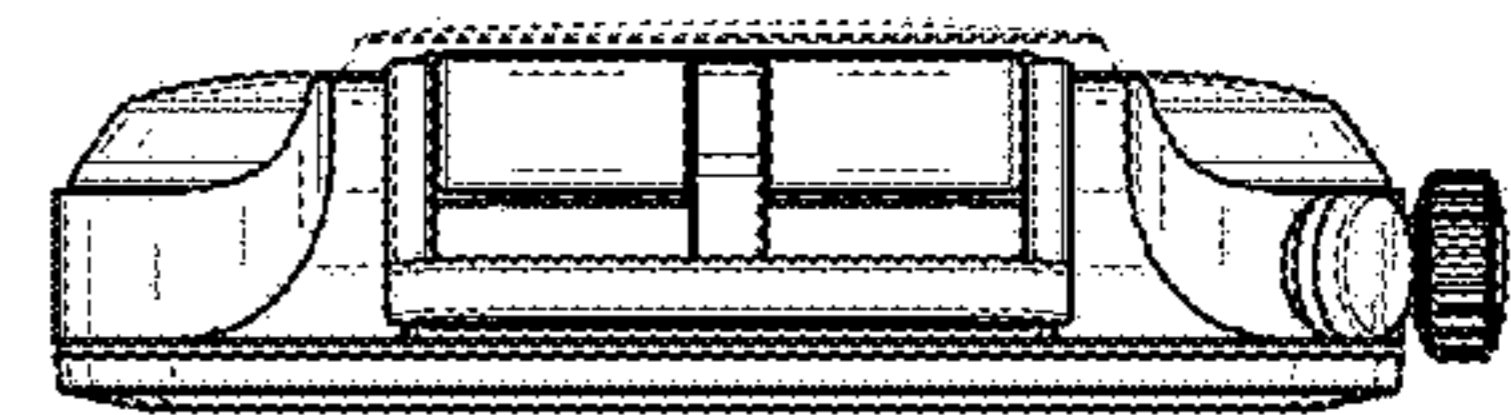


FIG. 7

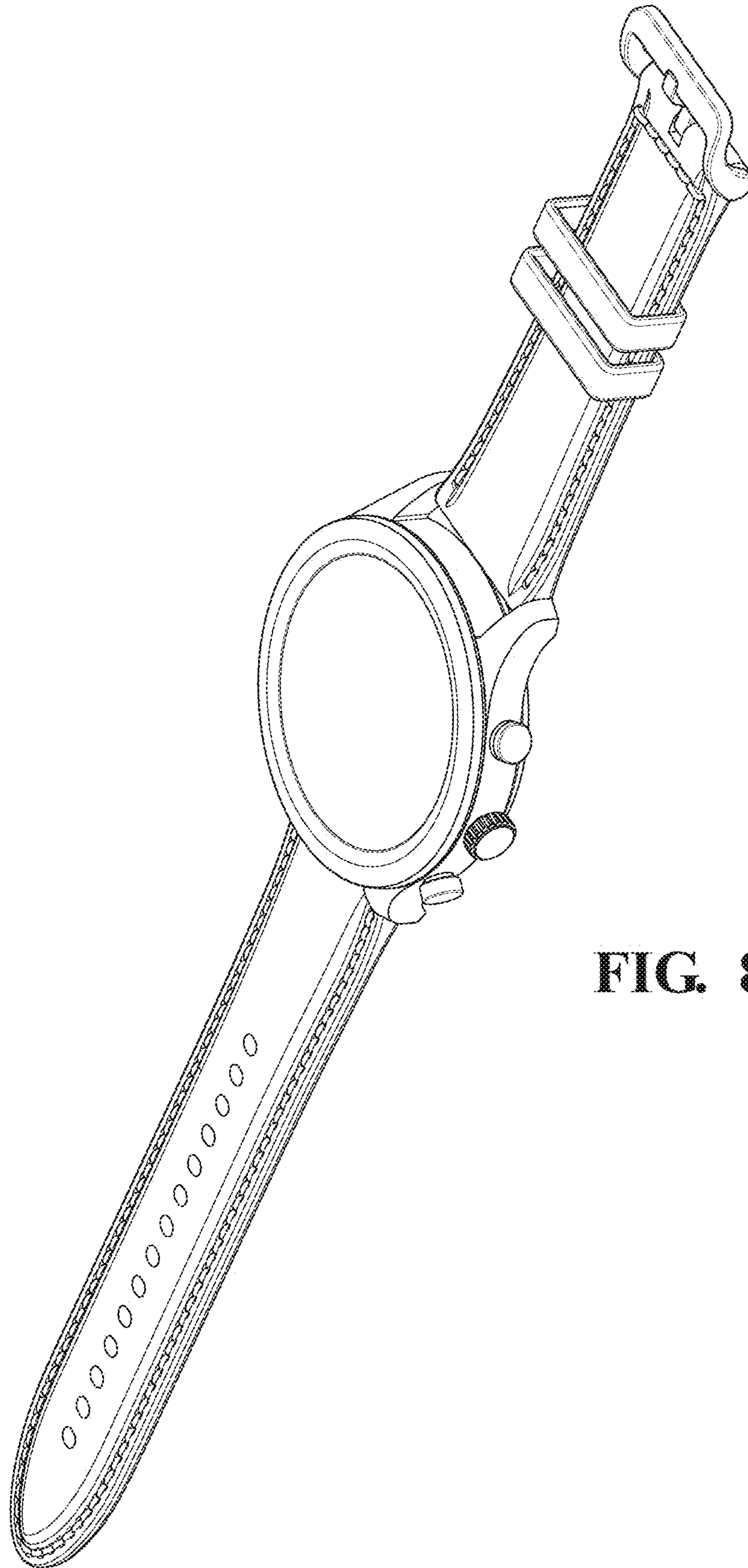


FIG. 8

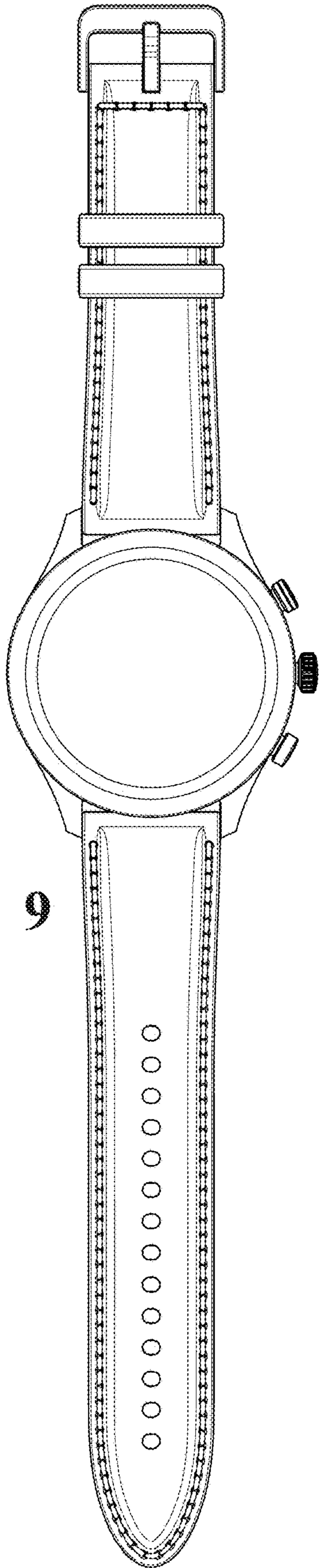


FIG. 9

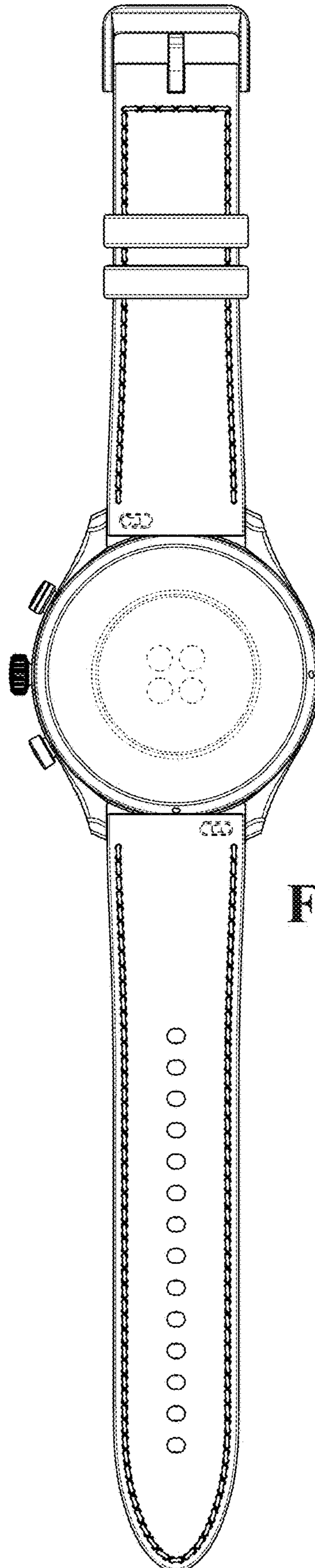


FIG. 10

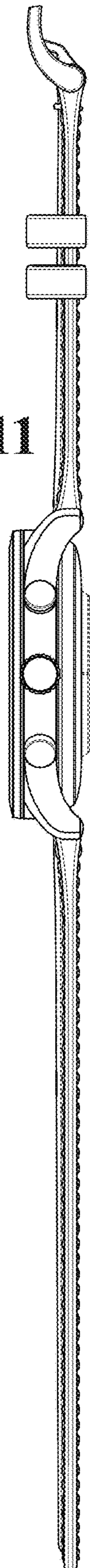


FIG. 11

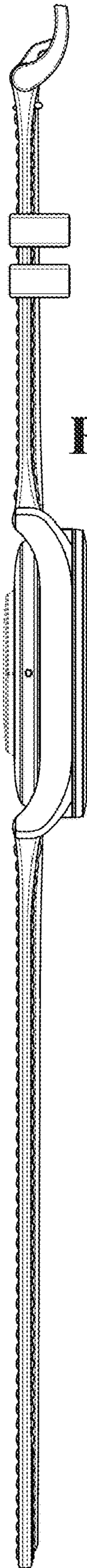


FIG. 12



FIG. 13

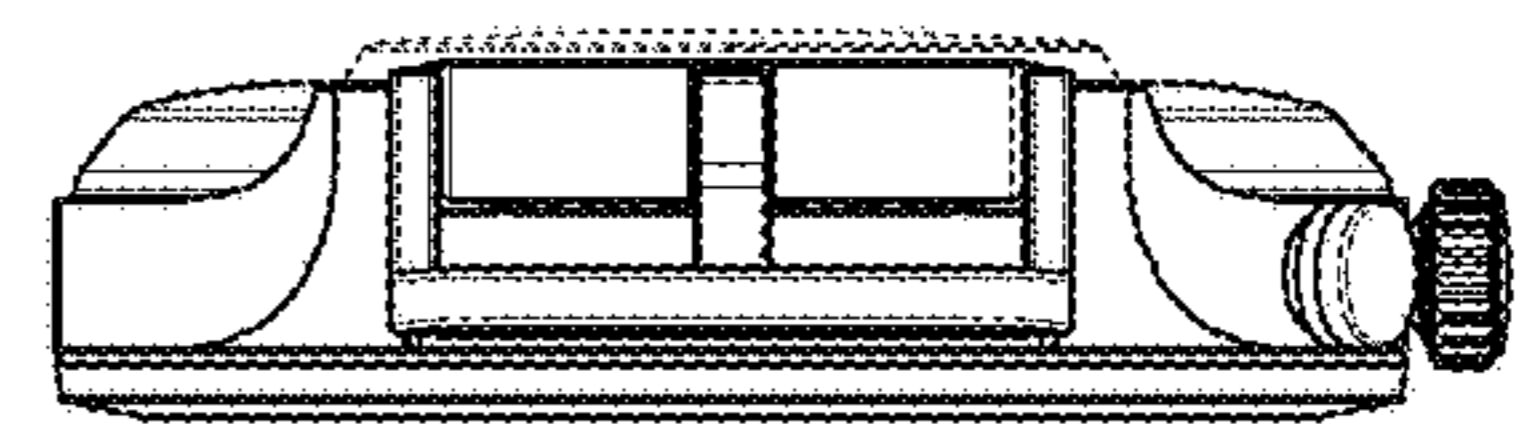


FIG. 14

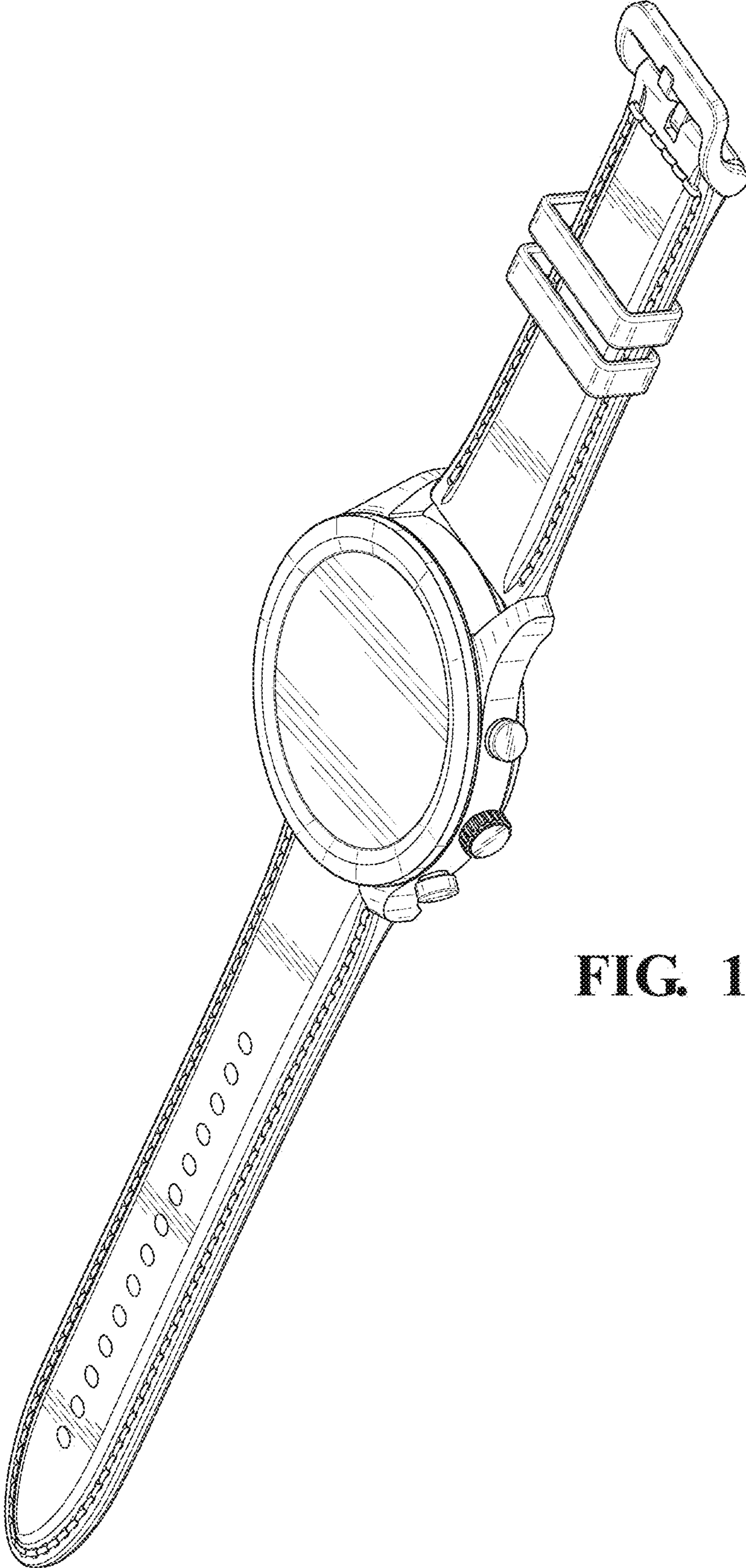


FIG. 15

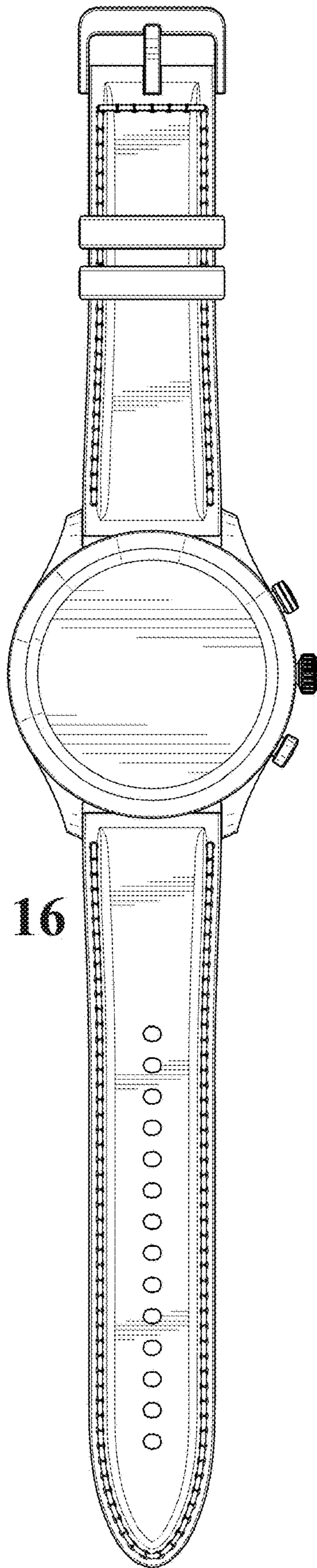


FIG. 16

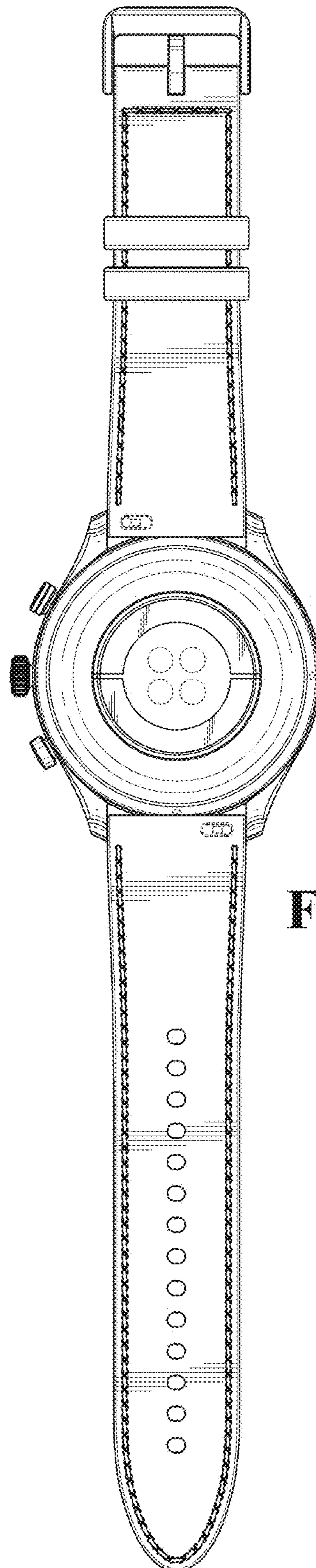


FIG. 17

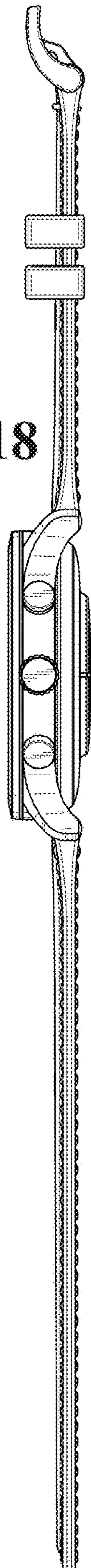


FIG. 18

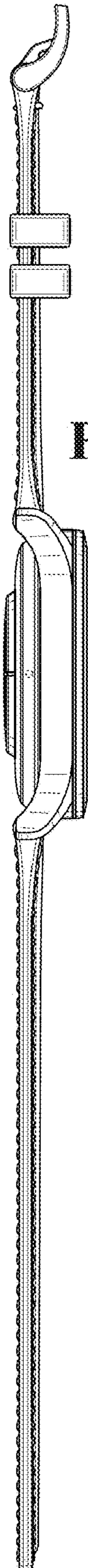


FIG. 19

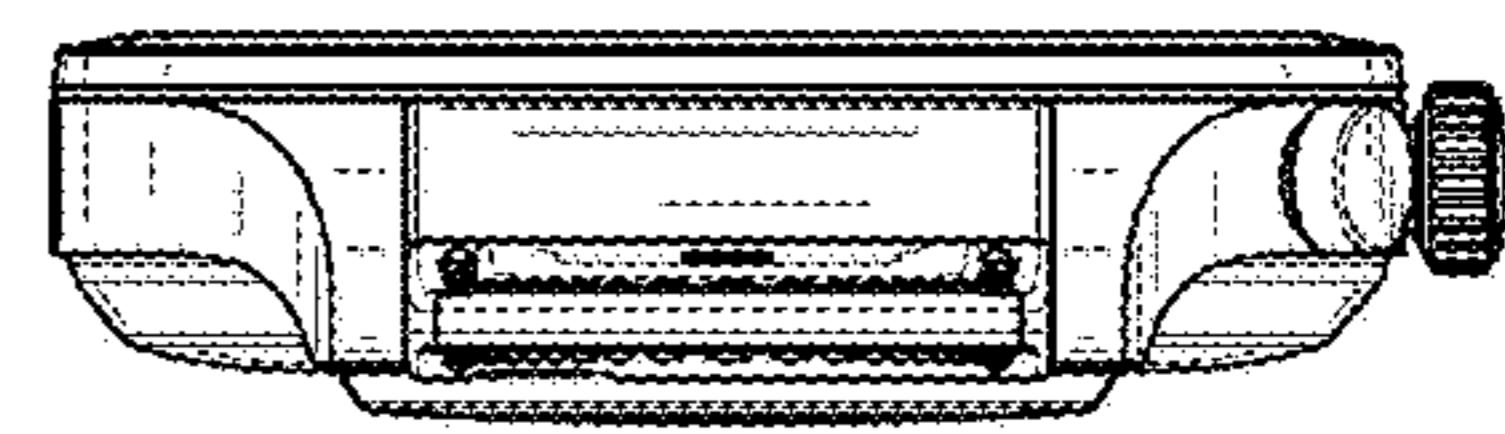


FIG. 20

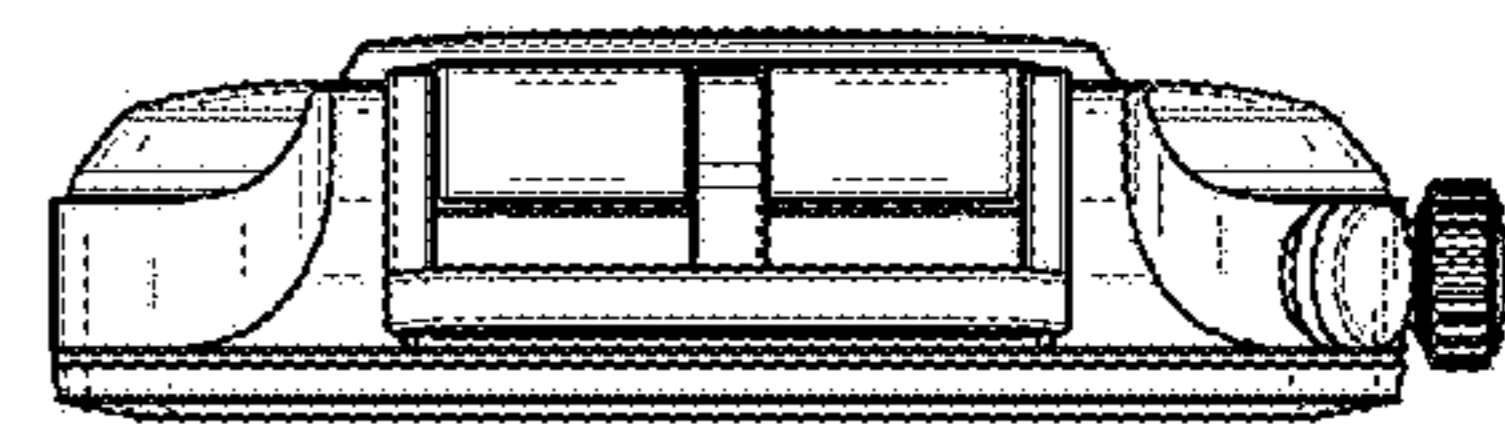


FIG. 21

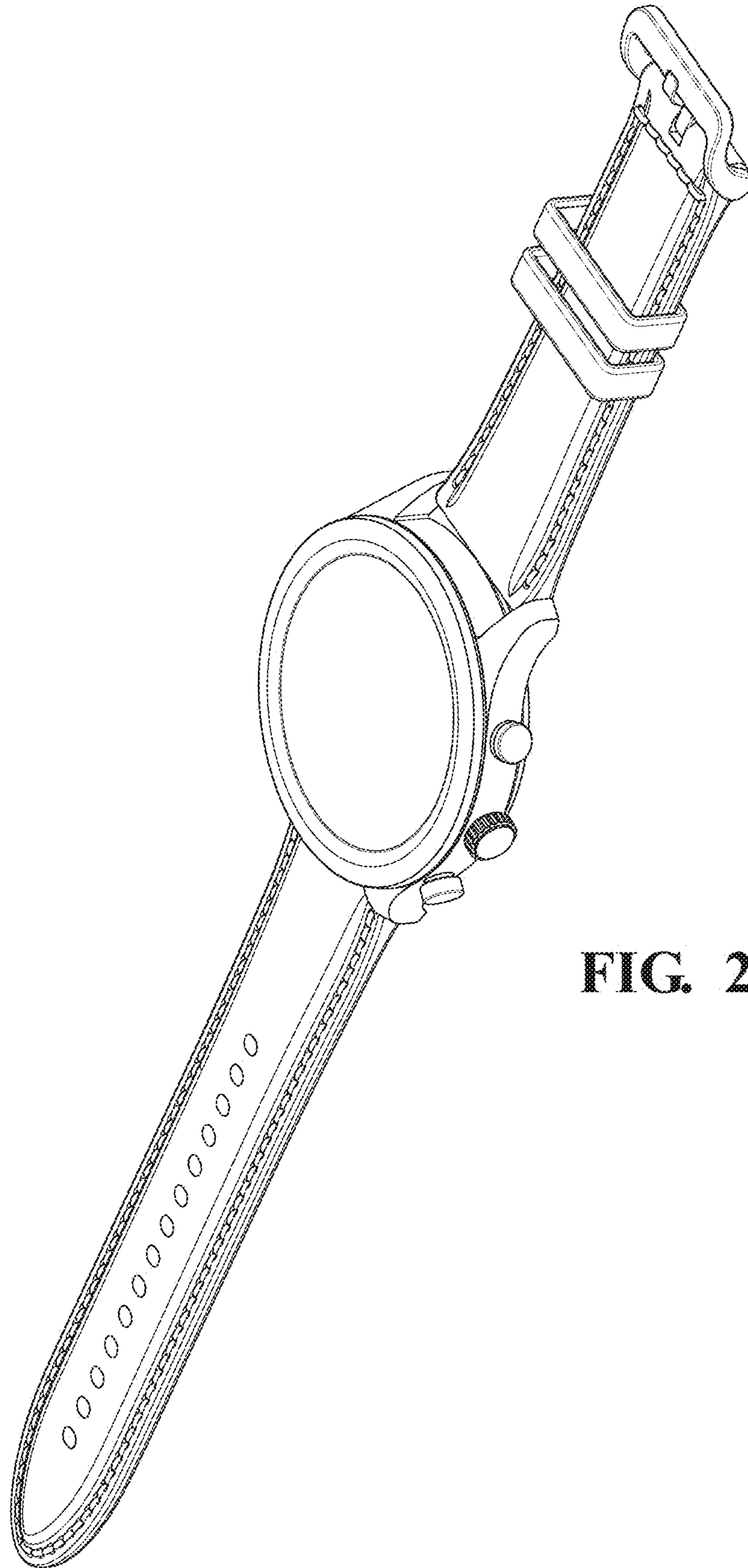


FIG. 22

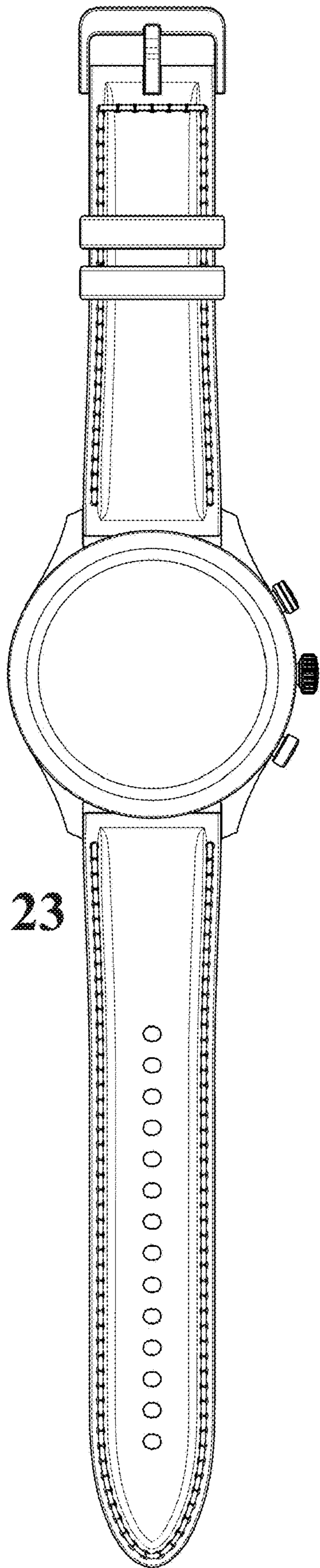


FIG. 23

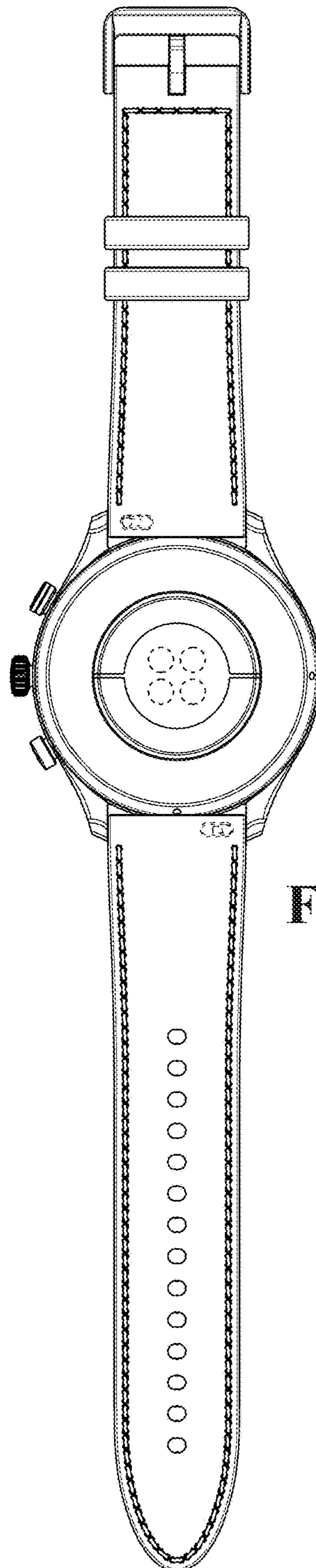


FIG. 24

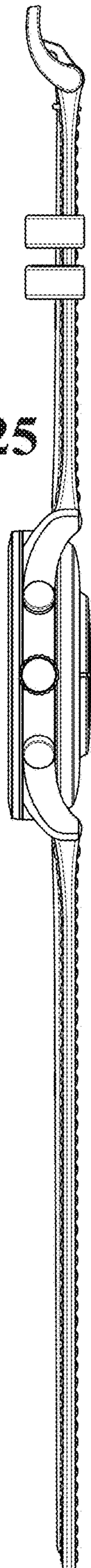


FIG. 25

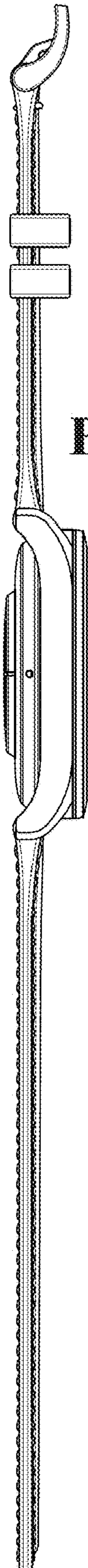


FIG. 26

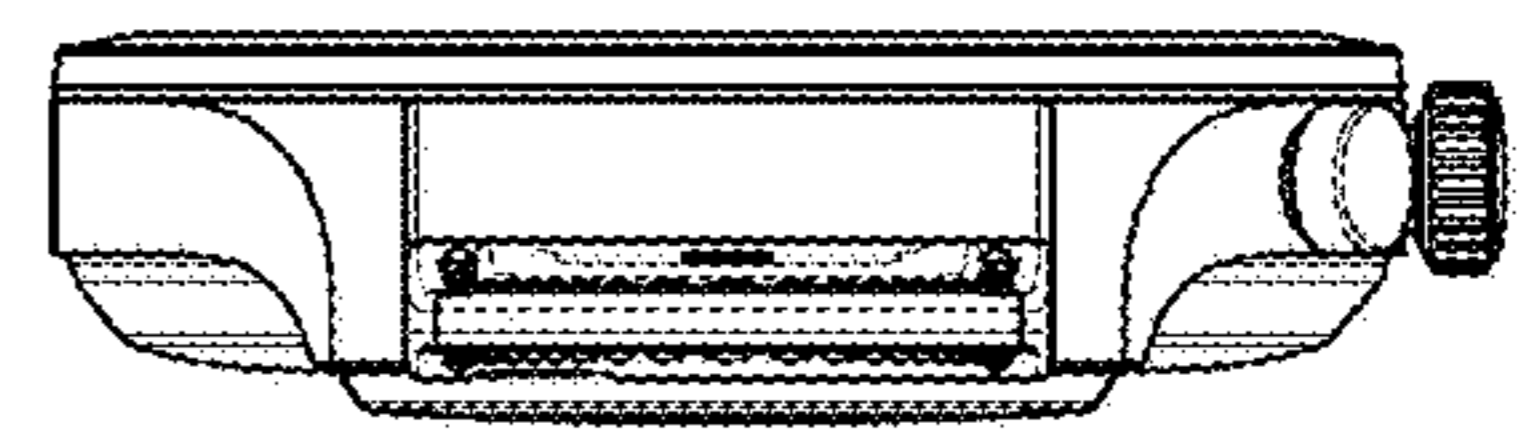


FIG. 27

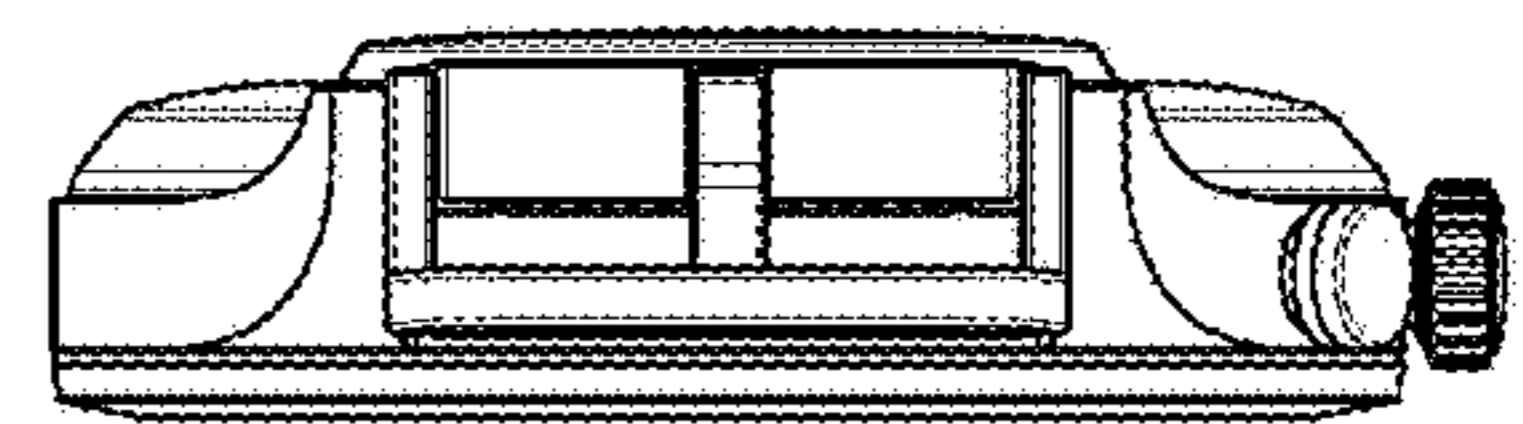


FIG. 28