



US00D981403S

(12) **United States Design Patent** (10) **Patent No.:** **US D981,403 S**
Chao et al. (45) **Date of Patent:** **** Mar. 21, 2023**

(54) **SMART WATCH**

(71) Applicants: **Zepp, Inc.**, Cupertino, CA (US); **Anhui Huami Information Technology Co., Ltd.**, Hefei (CN)

(72) Inventors: **Wei Po Chao**, Cupertino, CA (US); **Shaoman Qiu**, Anhui (CN)

(73) Assignees: **Zepp, Inc.**, Cupertino, CA (US); **Anhui Huami Information Technology Co., Ltd.**, Anhui (CN)

(**) Term: **15 Years**

(21) Appl. No.: **29/740,327**

(22) Filed: **Jul. 2, 2020**

(51) **LOC (14) Cl.** **14-02**

(52) **U.S. Cl.**
USPC **D14/344**

(58) **Field of Classification Search**
USPC D14/138 R, 344; D10/30, 31, 32, 38, 70;
D11/3; D24/167

CPC G04G 17/00; G04G 17/06; G04G 17/08;
G04G 17/083; G04G 17/045; G04G
21/00; G04G 21/02; G04G 21/025; G04G
21/06; G04G 21/08; G04G 99/006; G06F
1/163; A44C 5/00; A44C 5/0007; A44C
5/0015; A44C 5/0045; A44C 5/0053;
A44C 5/2052; A44C 5/2071

See application file for complete search history.

(56) **References Cited**

U.S. PATENT DOCUMENTS

D682,712 S * 5/2013 Lammers-Meis D10/38
D752,583 S * 3/2016 Solomon D14/344
D767,566 S * 9/2016 Morgenroth D14/344

(Continued)

FOREIGN PATENT DOCUMENTS

JP 1589834 S 11/2017
JP 1664777 S 7/2020

(Continued)

OTHER PUBLICATIONS

Fossil Gen 3 Smartwatch Rose Gold-tone Stainless Steel, www.ebay.com, Jul. 4, 2020. <https://www.ebay.com/itm/Fossil-Gen-3-Smartwatch-Rose-Gold-tone-Stainless-Steel-FTW6005-DW5A-/203038950509> (Year: 2020).*

(Continued)

Primary Examiner — Llorelys Martinez

Assistant Examiner — Kwabena A. Ankobiah

(74) *Attorney, Agent, or Firm* — Young Basile Hanlon & MacFarlane, P.C.

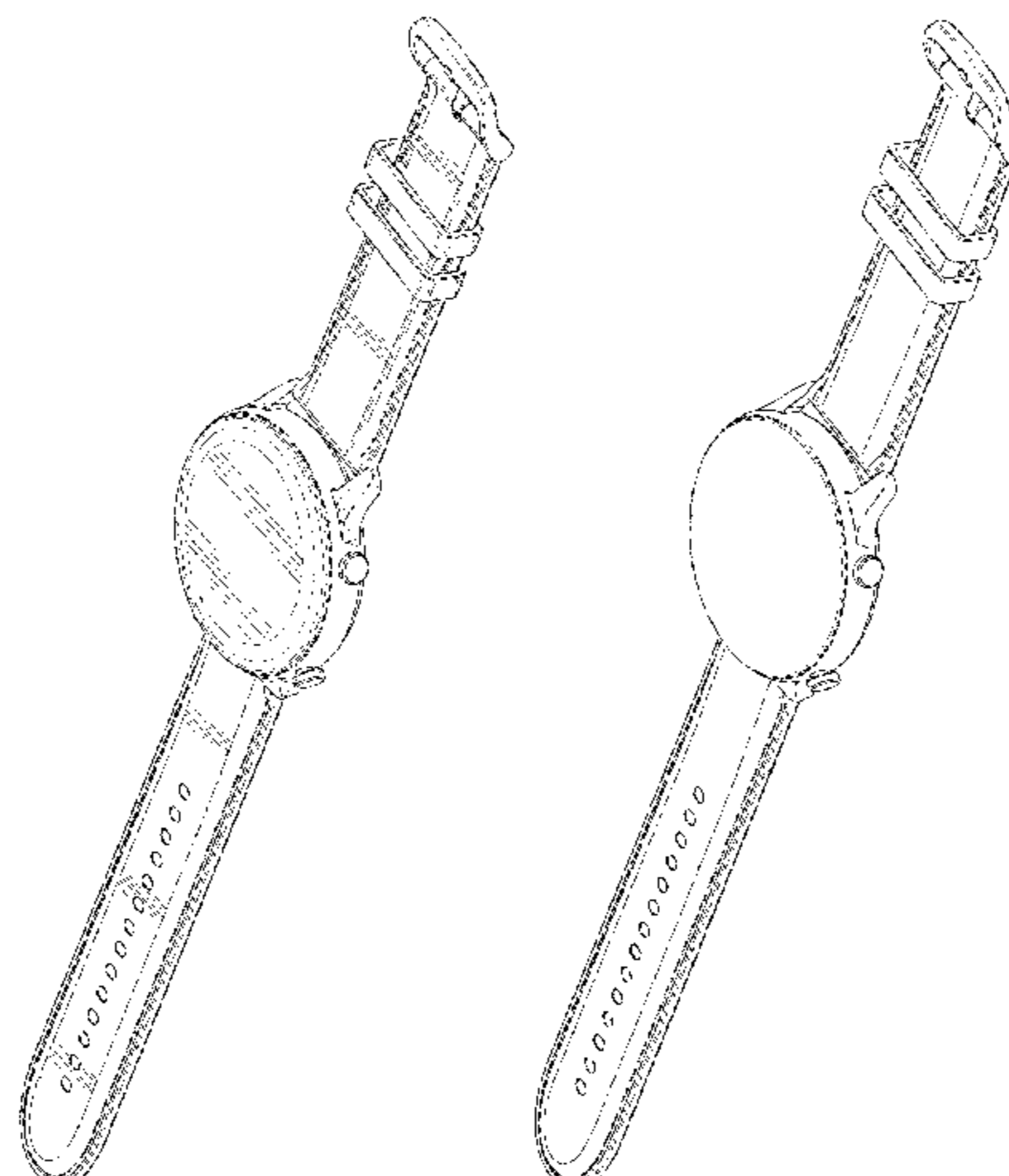
(57) **CLAIM**

The ornamental design for a smart watch, as shown and described.

DESCRIPTION

FIG. 1 is a top, front, and right perspective view of a first embodiment of the smart watch showing our new design. FIG. 2 is a front view of the smart watch of FIG. 1. FIG. 3 is a rear view of the smart watch of FIG. 1. FIG. 4 is a right side view of the smart watch of FIG. 1. FIG. 5 is a left side view of the smart watch of FIG. 1. FIG. 6 is a top view of the smart watch of FIG. 1. FIG. 7 is a bottom view of the smart watch of FIG. 1. FIG. 8 is a top, front, and right perspective view of a second embodiment of the smart watch. FIG. 9 is a front view of the smart watch of FIG. 8. FIG. 10 is a rear view of the smart watch of FIG. 8. FIG. 11 is a right side view of the smart watch of FIG. 8. FIG. 12 is a left side view of the smart watch of FIG. 8. FIG. 13 is a top view of the smart watch of FIG. 8; and, FIG. 14 is a bottom view of the smart watch of FIG. 8. The broken lines in the drawings illustrate portions of the smart watch that form no part of the claimed design.

1 Claim, 6 Drawing Sheets



(56)

References Cited

OTHER PUBLICATIONS

U.S. PATENT DOCUMENTS

D815,090	S	*	4/2018	Chan	D14/344
D844,458	S	*	4/2019	Lillquist	D10/30
D848,864	S	*	5/2019	Mockler	D10/30
D857,528	S	*	8/2019	Moilanen	D14/344
D860,820	S	*	9/2019	Bove	A45C 11/10 D10/32
D862,251	S	*	10/2019	Okazaki	D10/30
D876,966	S	*	3/2020	Shi	D14/344
D890,750	S	*	7/2020	Reivo	D14/344
D912,539	S	*	3/2021	Connor	D14/344
D913,118	S	*	3/2021	Moilanen	D14/344
D918,059	S	*	5/2021	Wang	D14/344
D920,830	S	*	6/2021	Chao	D11/3
D926,613	S	*	8/2021	Chao	D11/3
D927,325	S	*	8/2021	Droze	D10/32
D928,147	S	*	8/2021	Lee	D14/344
D928,633	S	*	8/2021	Register	D14/344
D929,396	S	*	8/2021	Zou	D14/344
D944,100	S	*	2/2022	Register	D10/128
D945,415	S	*	3/2022	Chao	D14/344
D956,236	S	*	6/2022	Chao	D10/38
D960,153	S	*	8/2022	Wu	D14/344
D962,931	S	*	9/2022	He	D14/344

FOREIGN PATENT DOCUMENTS

KR		301011397	6/2019
KR		301064289 S	6/2020
WO		DM205233	9/2019

Smart Watch for Women, AGPTEK Smartwatch for Android and iOS Phones, [www.amazon.com](https://www.amazon.com/dp/B08HMRY8NG/ref=sspa_dk_detail_6?pd_rd_i=B08HMRY8NG), Sep. 8, 2020. https://www.amazon.com/dp/B08HMRY8NG/ref=sspa_dk_detail_6?pd_rd_i=B08HMRY8NG (Year: 2020).*

Amazfit GTR 2 Smart Watch for Android iPhone, [www.amazon.com](https://www.amazon.com/Amazfit-Smartwatch-Storage-Bluetooth-Water-Resistant/dp/B08HRBZ2G4/), Nov. 21, 2020. <https://www.amazon.com/Amazfit-Smartwatch-Storage-Bluetooth-Water-Resistant/dp/B08HRBZ2G4/> (Year: 2020).* BE-PAL; <https://www.j-platpat.inpit.go.jp/d0200>; pp. 1-3; Jun. 10, 2018.

ForeAthlete 645 Black 0100186360; <https://www.kenko.com/P8769340/p.html>; Rakuten Direct; copyright JPO and INPIT; pp. 1-3; Feb. 7, 2020.

ForeAthlete 645 Music Black 01001863D0; <https://www.kenko.com/P8769338/p.html>; Rakuten Direct; pp. 1-3; Feb. 7, 2020.

Amazon.com: Garmin Forerunner 645 Music, GPS running watch with Garmin; https://www.amazon.com/Garmin-Forerunner-contactless-writs-based-010-01863-21/dp/B078GTNW5N/ref=sr_1_7?srs=2529458011&ie=UTF8&qid=1515743951&sr=8-7; Amazon.com, Inc.; pp. 1-3; Feb. 13, 2018.

Suunto3 Fitness; <http://www.suunto.com/ja-JP/News/suunto-launches-the-smart-suunto-3-fitness>; Suunto Oy; pp. 1-3; Feb. 9, 2018.

Vivomove HR Silver Tan Leather; Garmin Ltd.; <https://www.garmin.co.jp/products/intosports/vivomove-hr-silver-tan>; pp. 1-3; Jun. 3, 2019.

India Examination Report for India Design Application No. 336866-001 dated Jan. 21, 2021.

* cited by examiner

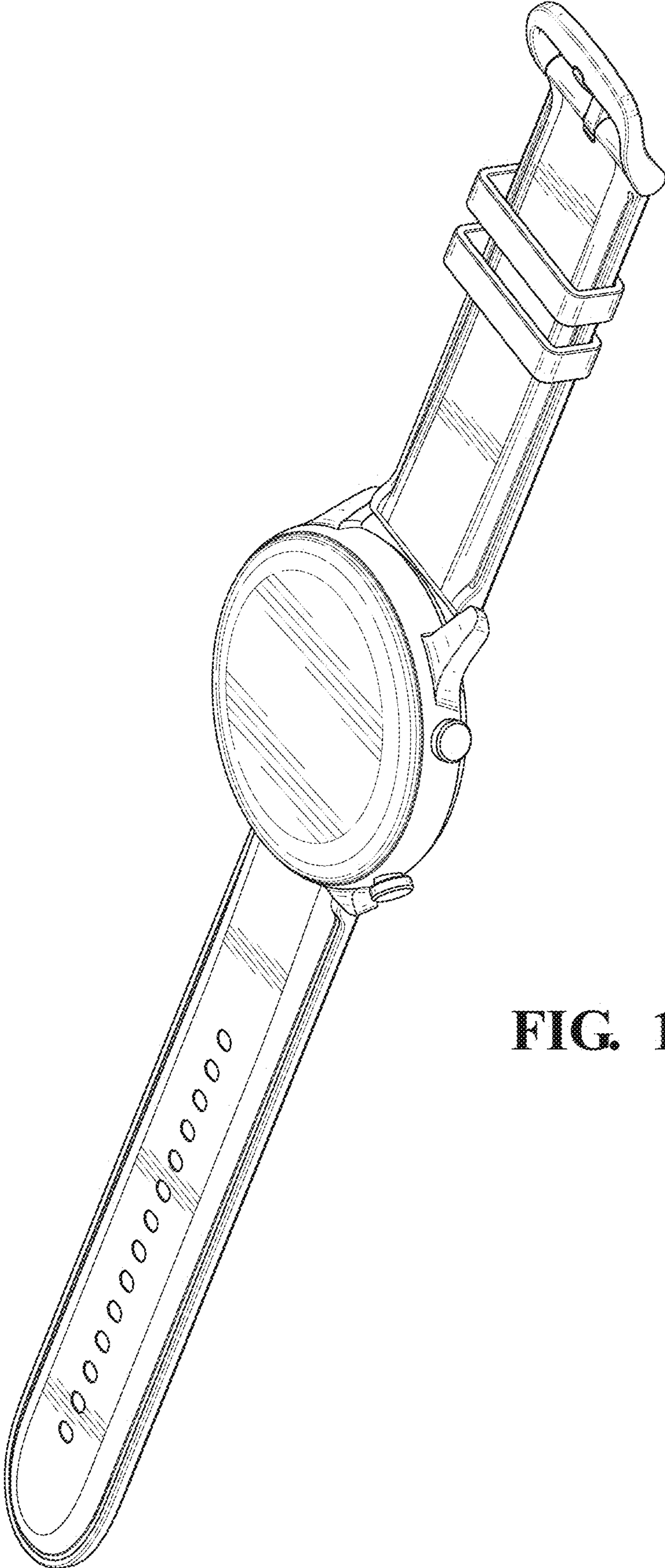


FIG. 1

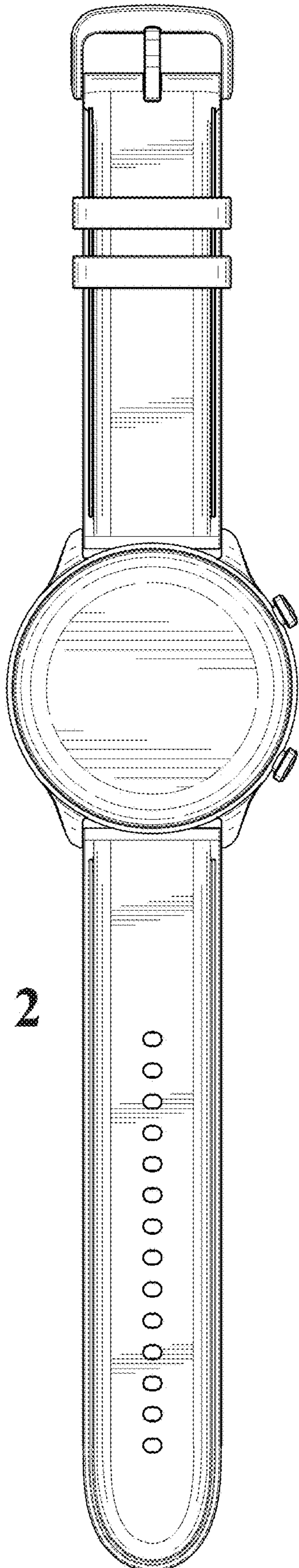


FIG. 2

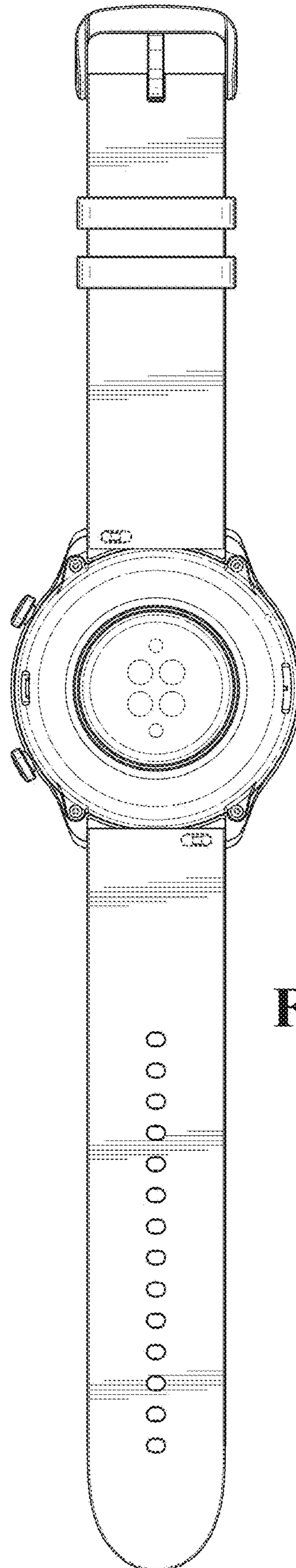


FIG. 3

FIG. 4

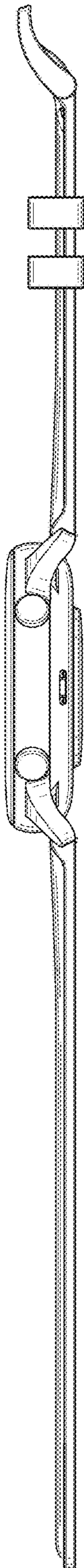


FIG. 5

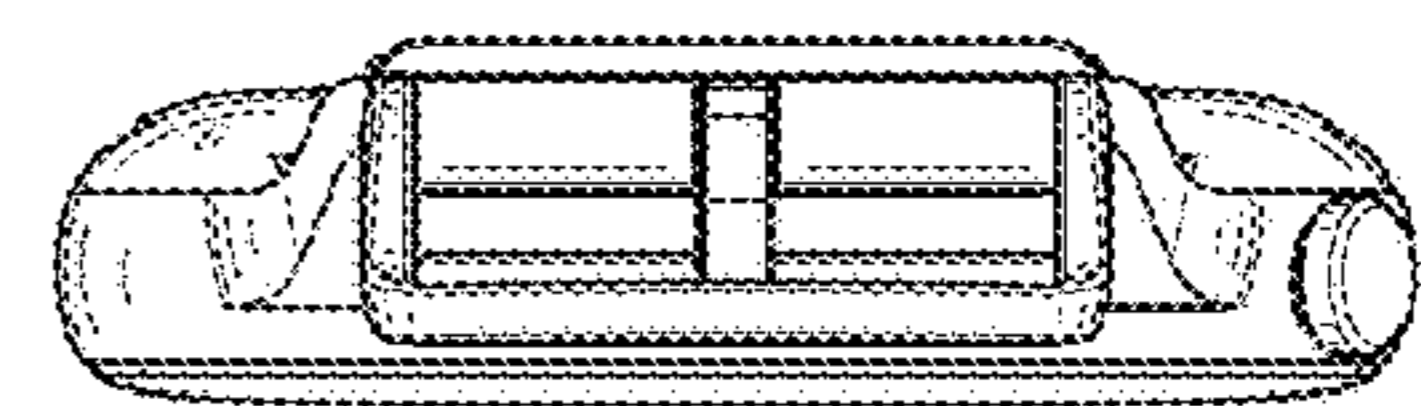
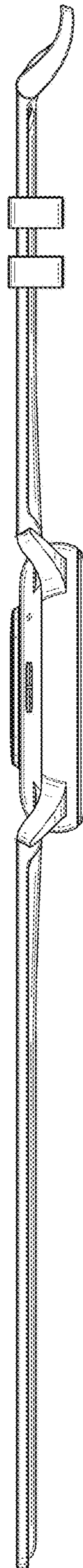


FIG. 6

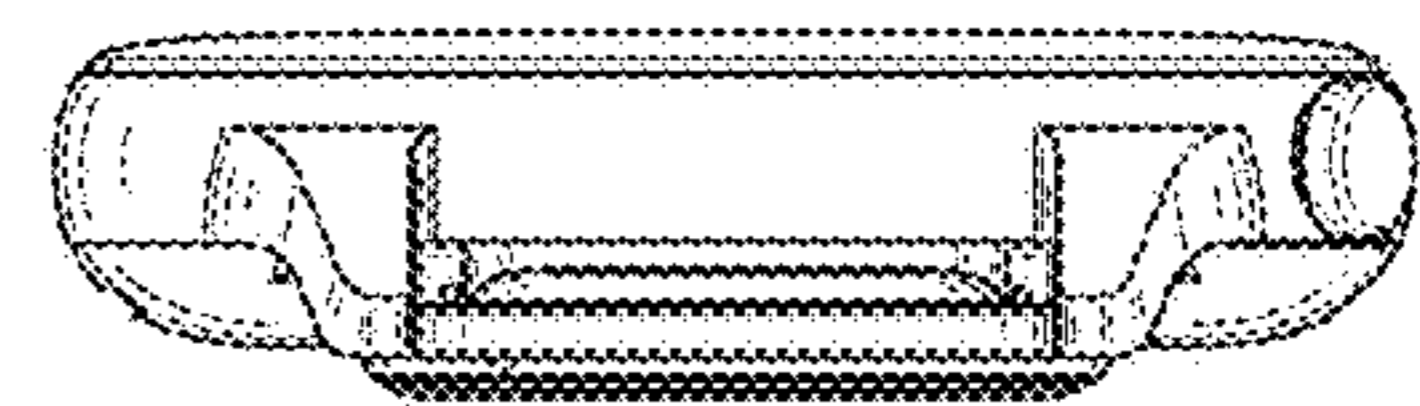


FIG. 7

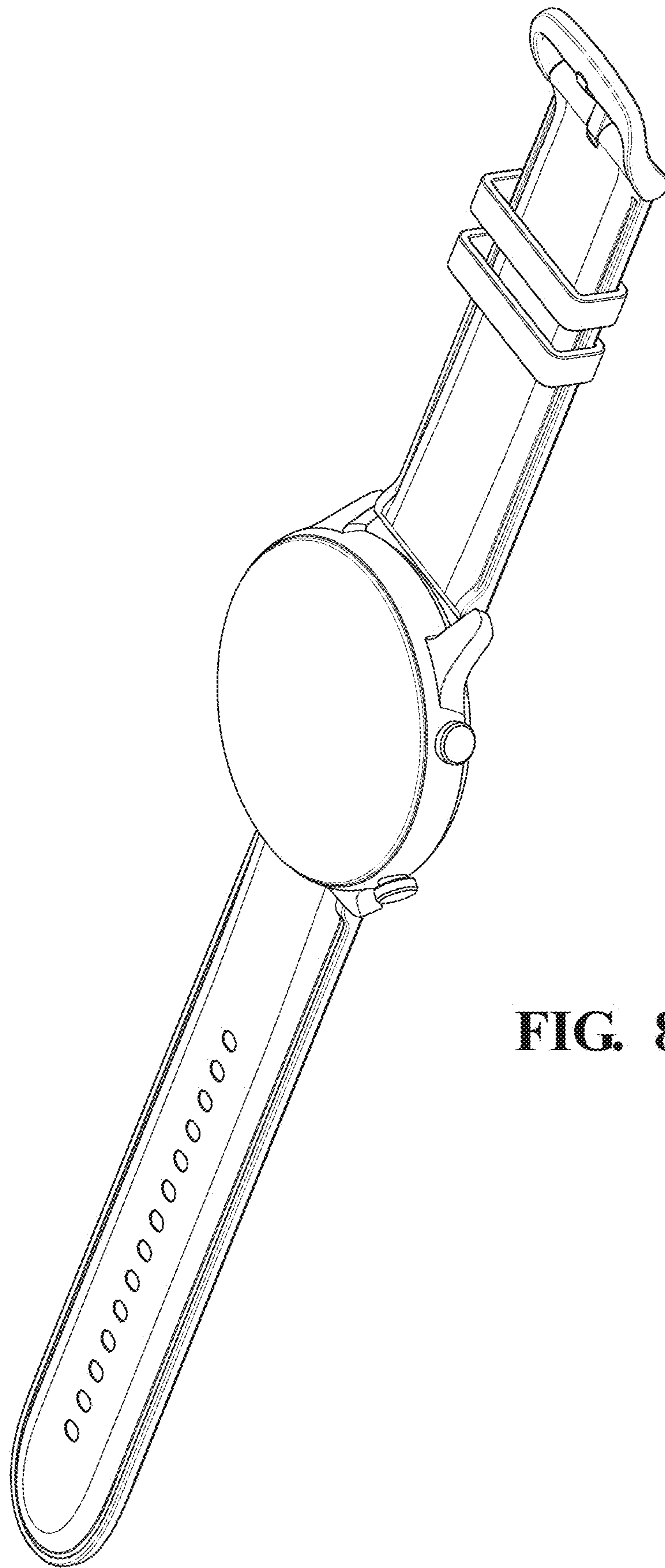


FIG. 8

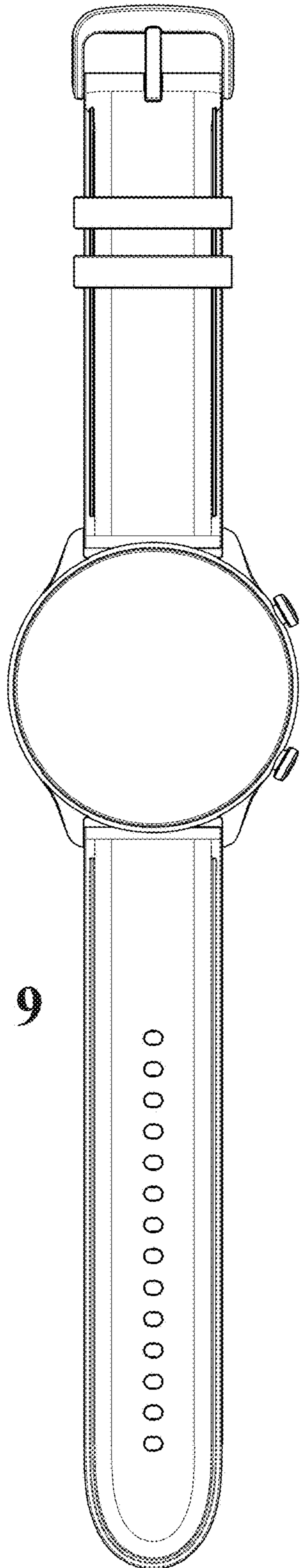


FIG. 9

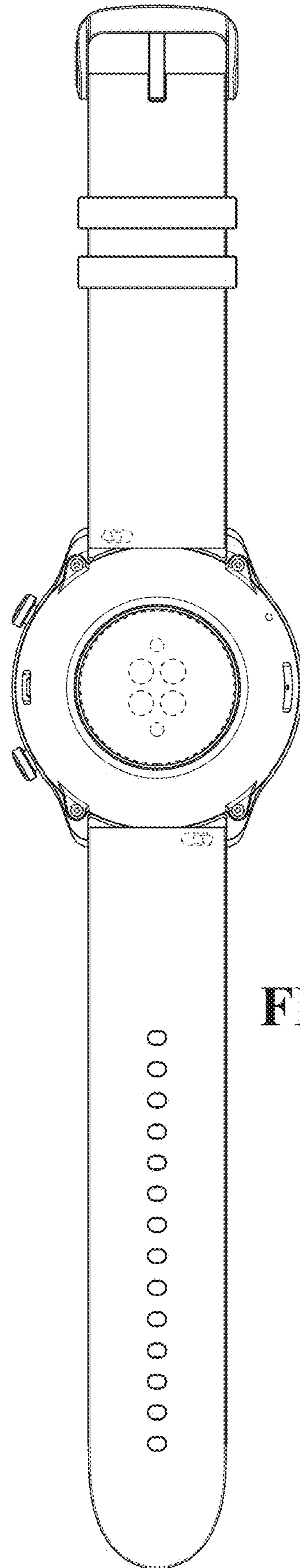


FIG. 10

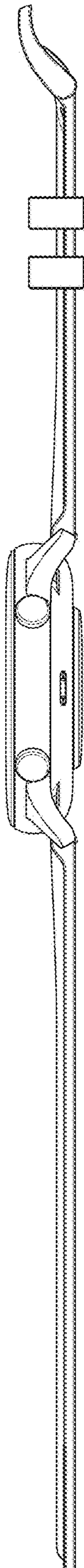


FIG. 11

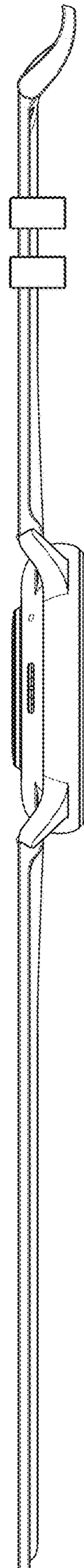


FIG. 12

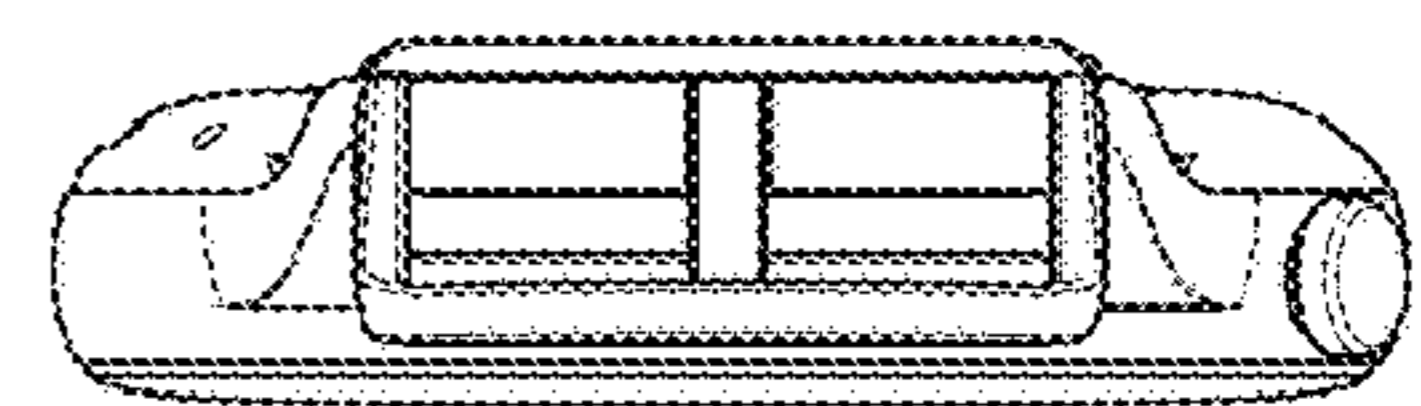


FIG. 13

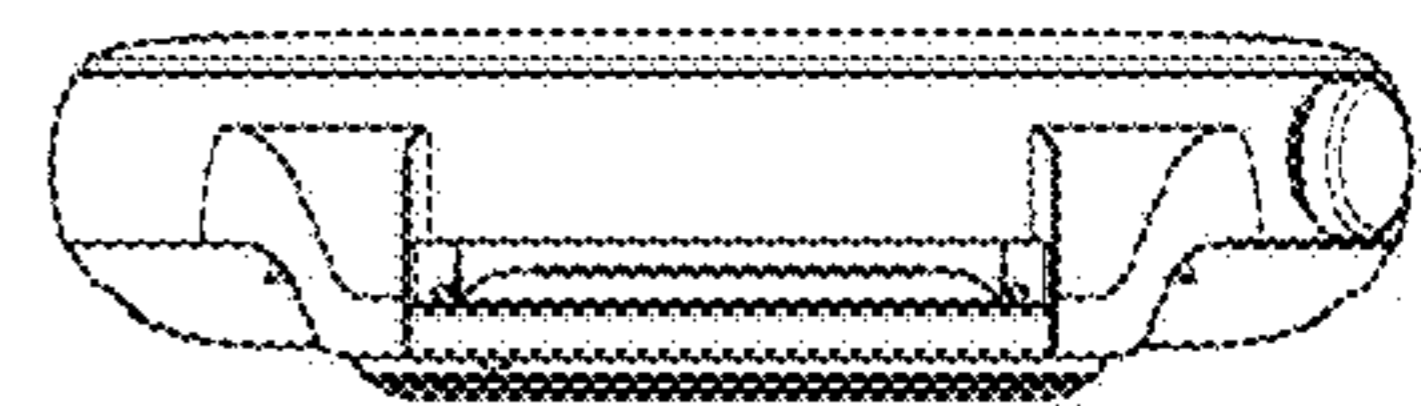


FIG. 14