



US00D981402S

(12) **United States Design Patent**
King et al.

(10) **Patent No.:** **US D981,402 S**
(45) **Date of Patent:** **** Mar. 21, 2023**

(54) **SMART WATCH**

FOREIGN PATENT DOCUMENTS

(71) Applicants: **Zepp, Inc.**, Cupertino, CA (US); **Anhui Huami Information Technology Co., Ltd.**, Hefei (CN)

CN 303803765 S 8/2016
JP 1656813 S 4/2020
(Continued)

(72) Inventors: **Albert Wenfu King**, Cupertino, CA (US); **Wei Zheng**, Anhui (CN); **Sixian Chen**, Anhui (CN)

OTHER PUBLICATIONS

Amazfit GTS 2 Mini Smart Watch GPS Fitness Tracker for Men Women, www.amazon.com, Dec. 1, 2020. <https://www.amazon.com/Amazfit-Fitness-Super-Light-Measurement-Monitoring/dp/B08PCYKXV5> (Year: 2020).*

(73) Assignees: **Zepp, Inc.**, Cupertino, CA (US); **Anhui Huami Information Technology Co., Ltd.**, Anhui (CN)

(Continued)

(**) Term: **15 Years**

Primary Examiner — Llorelys Martinez

Assistant Examiner — Kwabena A. Ankobiah

(74) *Attorney, Agent, or Firm* — Young Basile Hanlon & MacFarlane, P.C.

(21) Appl. No.: **29/739,982**

(22) Filed: **Jun. 30, 2020**

(57) **CLAIM**

(51) **LOC (14) Cl.** **14-02**

The ornamental design for a smart watch, as shown and described.

(52) **U.S. Cl.**

USPC **D14/344**

(58) **Field of Classification Search**

USPC D14/138 R, 344; D10/30, 31, 32, 38, 70; D11/3; D24/167

CPC G04G 17/00; G04G 17/06; G04G 17/08; G04G 17/083; G04G 17/045; G04G 21/00; G04G 21/02; G04G 21/025; G04G 21/06; G04G 21/08; G04G 99/006; G06F 1/163; A44C 5/00; A44C 5/0007; A44C 5/0015;

(Continued)

DESCRIPTION

FIG. 1 is a top, front, and right perspective view of a first embodiment of the smart watch showing our new design. FIG. 2 is a front view of the smart watch of FIG. 1. FIG. 3 is a rear view of the smart watch of FIG. 1. FIG. 4 is a right side view of the smart watch of FIG. 1. FIG. 5 is a left side view of the smart watch of FIG. 1. FIG. 6 is a bottom view of the smart watch of FIG. 1. FIG. 7 is a top view of the smart watch of FIG. 1. FIG. 8 is a top, front, and right perspective view of a second embodiment of the smart watch. FIG. 9 is a front view of the smart watch of FIG. 8. FIG. 10 is a rear view of the smart watch of FIG. 8. FIG. 11 is a right side view of the smart watch of FIG. 8. FIG. 12 is a left side view of the smart watch of FIG. 8. FIG. 13 is a bottom view of the smart watch of FIG. 8; and, FIG. 14 is a top view of the smart watch of FIG. 8.

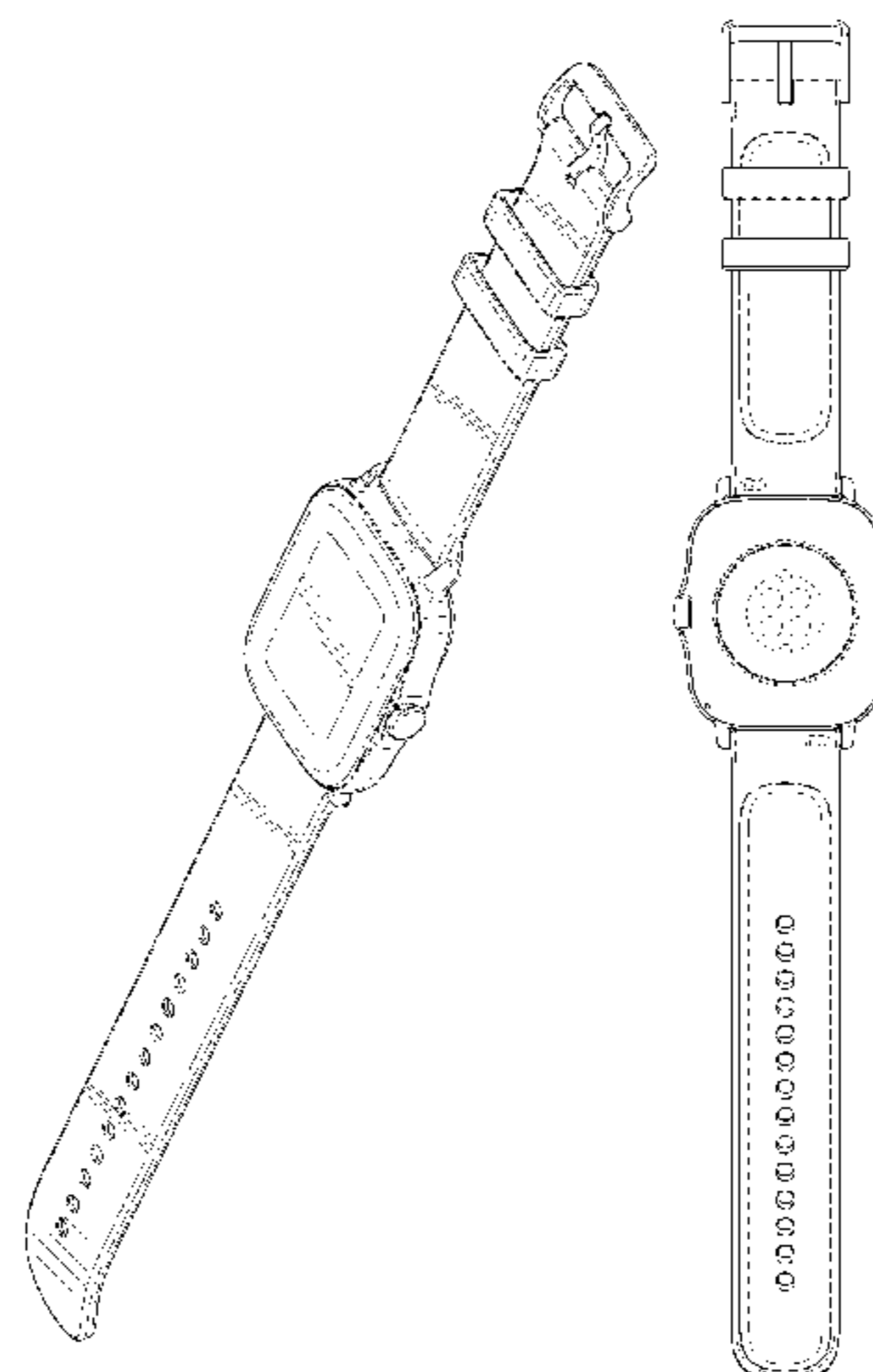
(56) **References Cited**

U.S. PATENT DOCUMENTS

D751,550 S 3/2016 Solomon et al.
D760,717 S 7/2016 Solomon et al.
D866,350 S * 11/2019 Park D14/344

(Continued)

(Continued)



The broken lines in the drawings illustrate portions of the smart watch that form no part of the claimed design.

D971,207 S * 11/2022 Zhu D14/344
 D971,208 S * 11/2022 Hu D14/344
 D971,914 S * 12/2022 Wang D14/344

1 Claim, 6 Drawing Sheets

(58) **Field of Classification Search**

CPC ... A44C 5/0045; A44C 5/0053; A44C 5/2052;
 A44C 5/2071

See application file for complete search history.

(56) **References Cited**

U.S. PATENT DOCUMENTS

D876,244 S * 2/2020 Park D10/32
 D887,406 S * 6/2020 Mao D14/344
 D889,459 S * 7/2020 Zhang D14/344
 D928,148 S * 8/2021 Wu D14/344
 D929,989 S * 9/2021 Han D14/344
 D934,860 S * 11/2021 King D14/344
 D935,453 S * 11/2021 Gao D14/344
 D940,705 S * 1/2022 Lin D14/344
 D940,706 S * 1/2022 Wu D14/344
 D951,108 S * 5/2022 Huang D14/344
 D962,230 S * 8/2022 Gao D14/344
 D962,231 S * 8/2022 Gao D14/344
 D962,232 S * 8/2022 Gao D14/344
 D962,233 S * 8/2022 Gao D14/344
 D962,234 S * 8/2022 He D14/344
 D963,639 S * 9/2022 Zhang D14/344
 D970,500 S * 11/2022 Tang D14/344

FOREIGN PATENT DOCUMENTS

JP 1664041 S 7/2020
 KR 300976651 S 10/2018
 KR 301064229 S 6/2020
 KR 301068149 S 7/2020

OTHER PUBLICATIONS

Amazfit GTS 2, www.amazfit.com, Jan. 13, 2021. <https://www.amazfit.com/US/amazfit-gts-2.html> (Year: 2021).
 Asus Zenwatch 2; Gpad; <http://gpad.tv/develop/asus-japan-zenwatch2-bqc>; pp. 1-3; Apr. 23, 2018.
 Amazon.com: Updated 2019 Version Smart Watch for Android iOS Phone, Ac; Amazon.com, Inc.; https://www.amazon.com/Updated-Activity-Exercise-Smartwatch-Compatible/dp/B07RS9LSDZ/ref=zg_b_snr_electronics_31?encoding=UTF8&pvc=1&refRID=M8MJY26E67YXF75SC57T [Issue]pps. 104; Jul. 16, 2019.
 Hermes; Hermes.com; http://japan.hermes.com/men/for-new-life/watch-apple-hermes-114759.html?_ga=2.201707478.638648697.1524456592-1637443437.1524456592; pp. 1-3; Apr. 24, 2018.
 Pinkoi; Bonho Inc.; <http://en.pinkoi.com/zoom/itemimg/E1mVjz4z/0>; pp. 1-7; Aug. 2, 2016.
 Genuine Leather Strap with Pin-and-Tuck Closure for 42mm Apple Watch; Promate Technologies; <https://www.promate.net/collections/new-arrivals/products/genio-42?variant=28540287320129>; pp. 1-3; Jun. 20, 2020.
 Asus Design Center; Zen Watch; <https://www.j-platpat.inpit.go.jp/d0200>; pp. 1-3; Sep. 2, 2021.

* cited by examiner

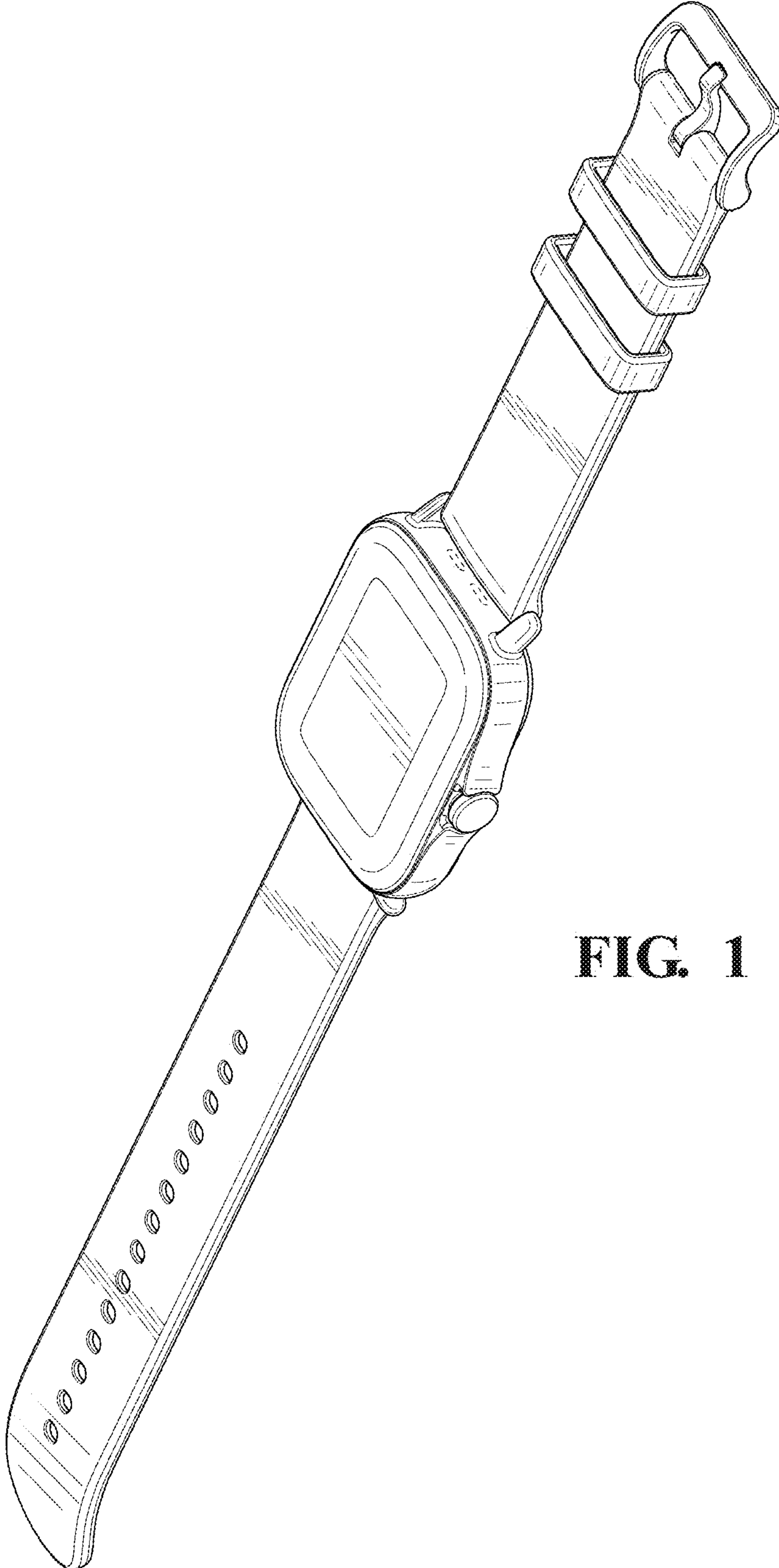


FIG. 1

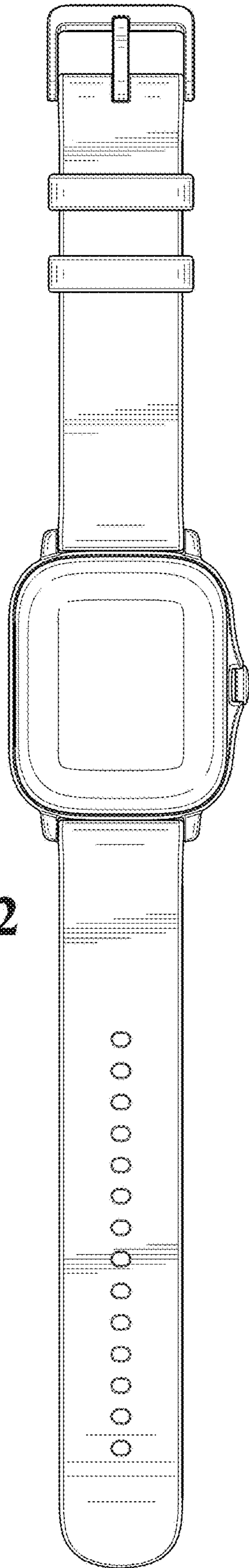


FIG. 2

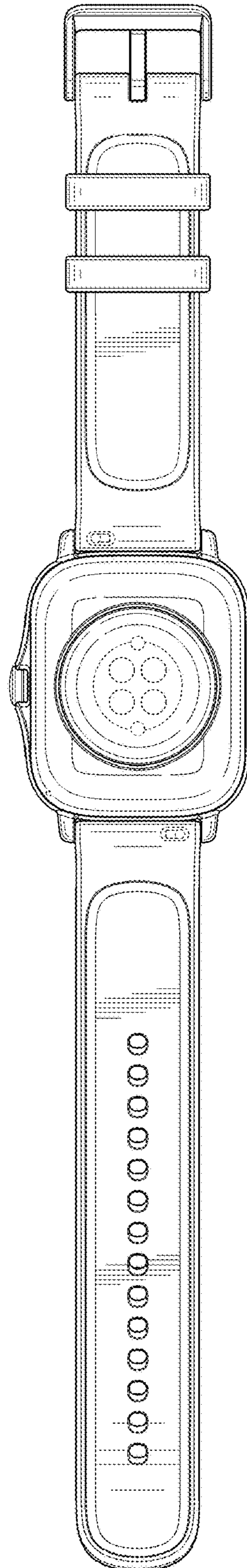


FIG. 3

FIG. 4

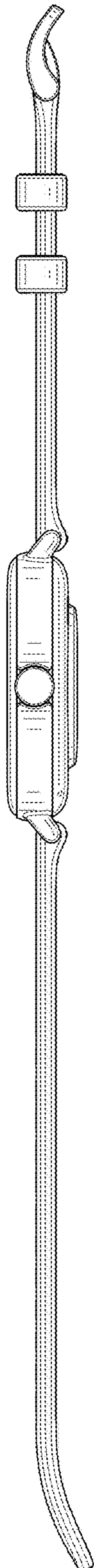


FIG. 5

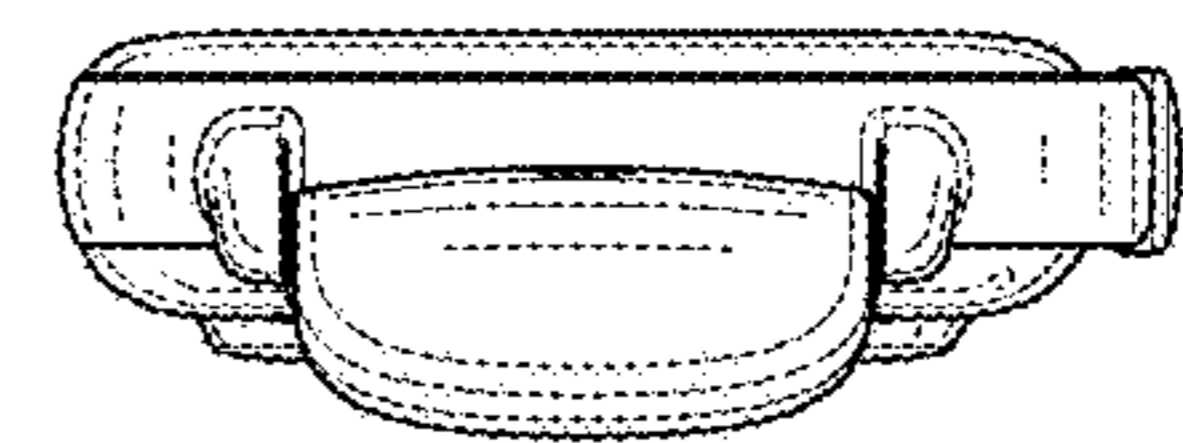
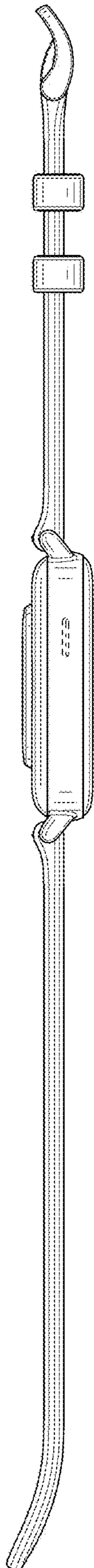


FIG. 6

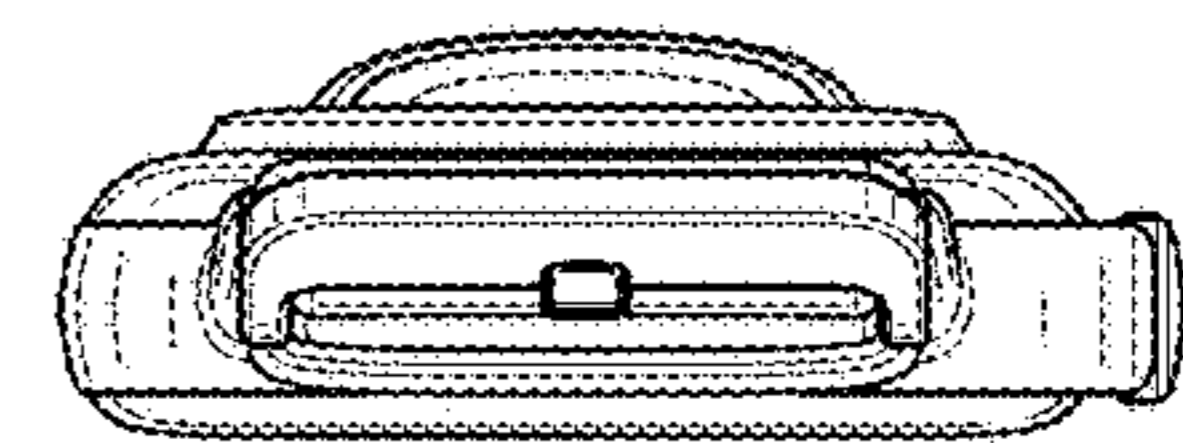


FIG. 7

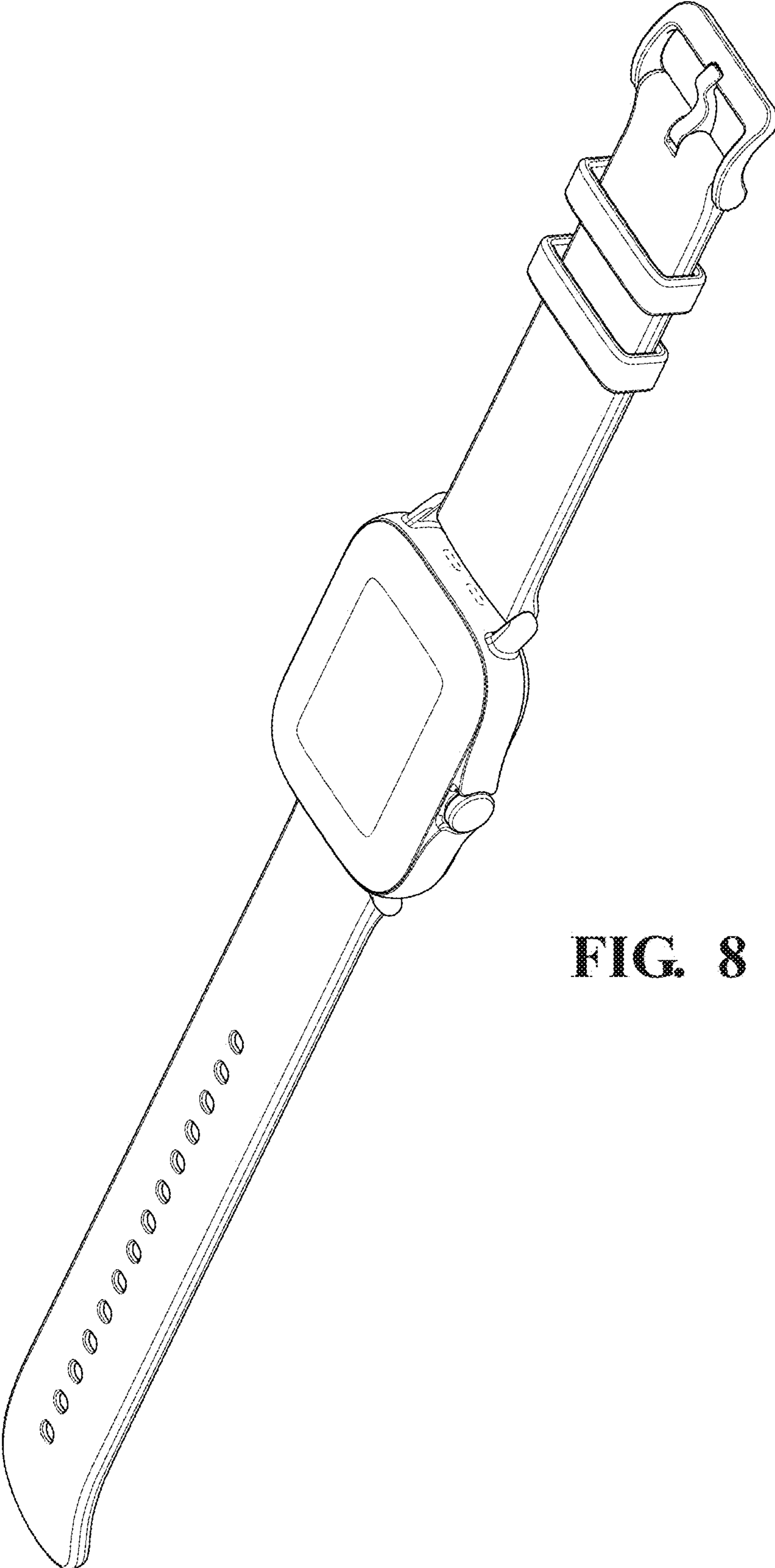


FIG. 8

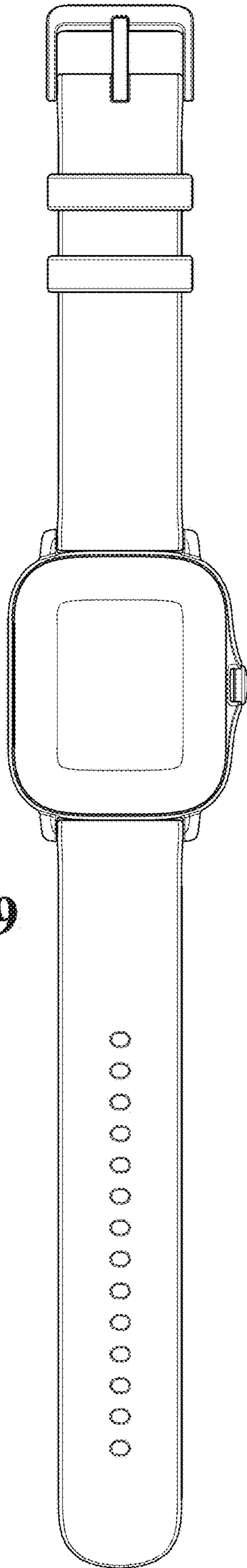


FIG. 9

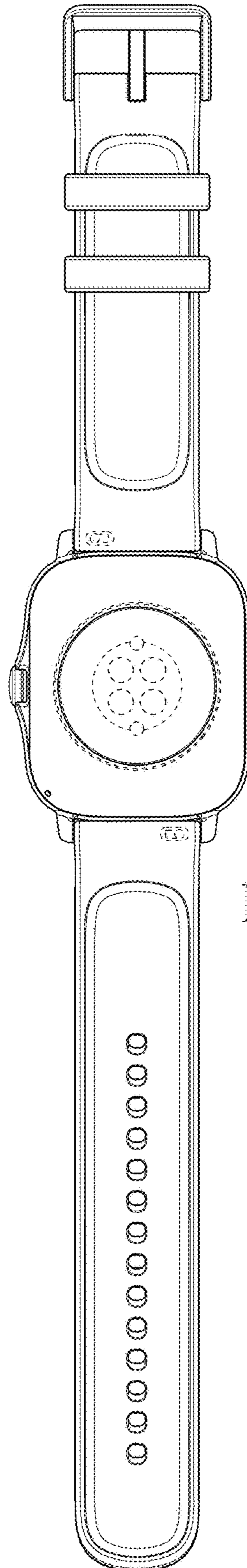


FIG. 10

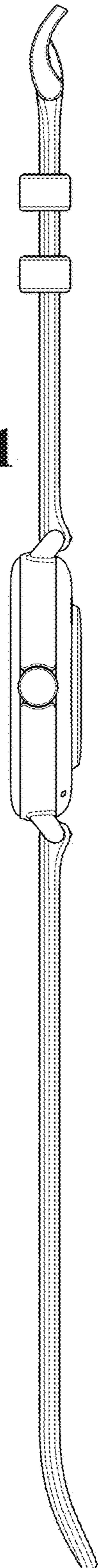


FIG. 11

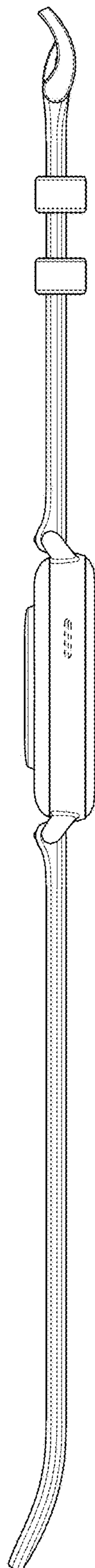


FIG. 12



FIG. 13

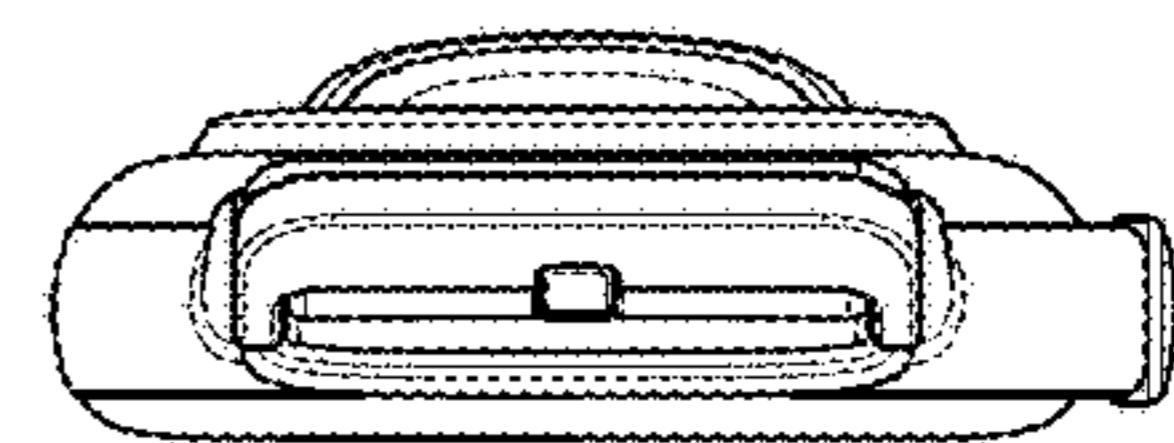


FIG. 14