

US00D981401S

(12) **United States Design Patent**
King et al.

(10) **Patent No.:** **US D981,401 S**
(45) **Date of Patent:** **** Mar. 21, 2023**

(54) **SMART WATCH**

FOREIGN PATENT DOCUMENTS

(71) Applicants: **Zepp, Inc.**, Cupertino, CA (US); **Anhui Huami Information Technology Co., Ltd.**, Hefei (CN)

CN 303803765 S 8/2016
JP 1664041 S 7/2020
(Continued)

(72) Inventors: **Albert Wenfu King**, Cupertino, CA (US); **Jing Fan**, Anhui (CN)

OTHER PUBLICATIONS

(73) Assignees: **Zepp, Inc.**, Cupertino, CA (US); **Anhui Huami Information Technology Co., Ltd.**, Anhui (CN)

Huawei Watch Fit Review | English | Best Smartwatch 2020 Android, www.youtube.com, Oct. 2, 2020. <https://www.youtube.com/watch?v=pbw5d5qwwYw> (Year: 2020).*
(Continued)

(**) Term: **15 Years**

Primary Examiner — Llorelys Martinez

Assistant Examiner — Kwabena A. Ankobiah

(21) Appl. No.: **29/739,980**

(74) *Attorney, Agent, or Firm* — Young Basile Hanlon & MacFarlane, P.C.

(22) Filed: **Jun. 30, 2020**

(57) **CLAIM**

(51) **LOC (14) Cl.** **14-02**

The ornamental design for a smart watch, as shown and described.

(52) **U.S. Cl.**

USPC **D14/344**

DESCRIPTION

(58) **Field of Classification Search**

USPC D14/138 R, 344; D10/30, 31, 32, 38, 70; D11/3; D24/167

CPC G04G 17/00; G04G 17/06; G04G 17/08; G04G 17/083; G04G 17/045; G04G 21/00; G04G 21/02; G04G 21/025; G04G 21/06; G04G 21/08; G04G 99/006; G06F 1/163; A44C 5/00; A44C 5/0007; A44C 5/0015; A44C 5/0045; A44C 5/0053; A44C 5/2052; A44C 5/2071

See application file for complete search history.

FIG. 1 is a top, front, and right perspective view of a first embodiment of the smart watch showing our new design. FIG. 2 is a front view of the smart watch of FIG. 1. FIG. 3 is a rear view of the smart watch of FIG. 1. FIG. 4 is a right side view of the smart watch of FIG. 1. FIG. 5 is a left side view of the smart watch of FIG. 1. FIG. 6 is a bottom view of the smart watch of FIG. 1. FIG. 7 is a top view of the smart watch of FIG. 1. FIG. 8 is a top, front, and right perspective view of a second embodiment of the smart watch. FIG. 9 is a front view of the smart watch of FIG. 8. FIG. 10 is a rear view of the smart watch of FIG. 8. FIG. 11 is a right side view of the smart watch of FIG. 8. FIG. 12 is a left side view of the smart watch of FIG. 8. FIG. 13 is a bottom view of the smart watch of FIG. 8; and, FIG. 14 is a top view of the smart watch of FIG. 8. The broken lines in the drawings illustrate portions of the smart watch that form no part of the claimed design.

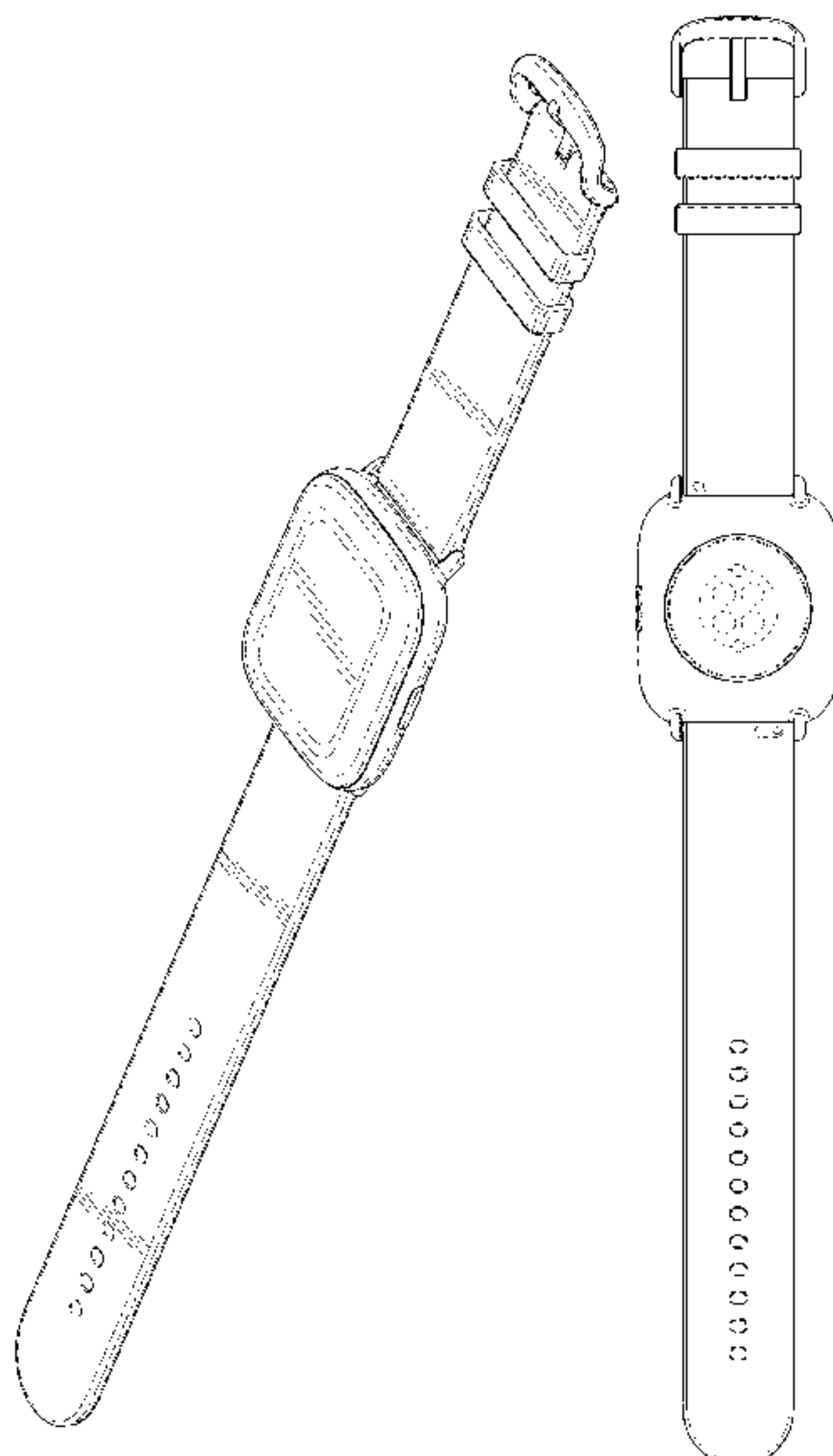
(56) **References Cited**

U.S. PATENT DOCUMENTS

D760,717 S * 7/2016 Solomon D14/344
D866,350 S * 11/2019 Park D14/344
D869,461 S * 12/2019 Ke D14/344

(Continued)

1 Claim, 6 Drawing Sheets



(56)

References Cited

OTHER PUBLICATIONS

U.S. PATENT DOCUMENTS

D869,462	S	*	12/2019	Ke	D14/344
D876,244	S	*	2/2020	Park	D10/32
D887,406	S	*	6/2020	Mao	D14/344
D889,459	S	*	7/2020	Zhang	D14/344
D900,809	S	*	11/2020	Gao	D14/344
D928,148	S	*	8/2021	Wu	D14/344
D929,989	S	*	9/2021	Han	D14/344
D934,860	S	*	11/2021	King	D14/344
D935,453	S	*	11/2021	Gao	D14/344
D940,705	S	*	1/2022	Lin	D14/344
D940,706	S	*	1/2022	Wu	D14/344
D945,992	S	*	3/2022	Zhu	D14/344
D951,108	S	*	5/2022	Huang	D14/344
D962,230	S	*	8/2022	Gao	D14/344
D962,231	S	*	8/2022	Gao	D14/344
D962,232	S	*	8/2022	Gao	D14/344
D962,233	S	*	8/2022	Gao	D14/344
D962,234	S	*	8/2022	He	D14/344
D963,639	S	*	9/2022	Zhang	D14/344
D970,500	S	*	11/2022	Tang	D14/344
D971,207	S	*	11/2022	Zhu	D14/344
D971,208	S	*	11/2022	Hu	D14/344
D971,914	S	*	12/2022	Wang	D14/344

FOREIGN PATENT DOCUMENTS

KR	300976651	S	10/2018
KR	301064229	S	6/2020
KR	301068149	S	7/2020

Zepp E Square—Smartwatch Fitness Tracker Reviewed, [www.menstylefashion.com](http://www.menstylefashion.com/zepp-e-square-smartwatch-fitness-tracker-reviewed/), Dec. 3, 2020. <https://www.menstylefashion.com/zepp-e-square-smartwatch-fitness-tracker-reviewed/> (Year: 2020).*

Aikela Smartwatch ID205U (Review), www.youtube.com, Mar. 29, 2021. <https://www.youtube.com/watch?v=x0iim3kdgYg> (Year: 2021).*

Pinkoi; Bonho Inc.; <http://en.pinkoi.com/zoom/iteming/E1mVjz4z/0>; pp. 1-7; Aug. 2, 2016.

Hermes; [japan.hermes.com](http://japan.hermes.com/men/for-new-life/watch-apple-hermes-114759.html?_ga=2.201707478.638648697.1524456592-1637443437.1524456592); http://japan.hermes.com/men/for-new-life/watch-apple-hermes-114759.html?_ga=2.201707478.638648697.1524456592-1637443437.1524456592; pp. 1-3; Apr. 24, 2018.

Amazon.com: Updated 2019 Version Smart Watch for Android iOS Phone, Ac; Amazon.com, Inc.; https://www.amazon.com/Updated-Activity-Exercise-Smartwatch-Compatible/dp/B07RS9LSDZ/ref=zg_b_snr_electronics_31?_encoding=UTF8&pvc=1&refRID=M8MJY26E67YXF75SC57T; pp. 1-4; Jul. 16, 2019.

Genuine Leather Strap with Pin-and-Tuck Closure for 42mm Apple Watch; Promate Technologies; <https://www.promate.net/collections/new-arrivals/products/genio-42?variant=28540287320129> pp. 103; Jun. 20, 2020.

Zen Watch; [https://www.j-platpat.inpit.go.jp/d0200pps/](https://www.j-platpat.inpit.go.jp/d0200pps;); 1-3; Jun. 29, 2015.

* cited by examiner

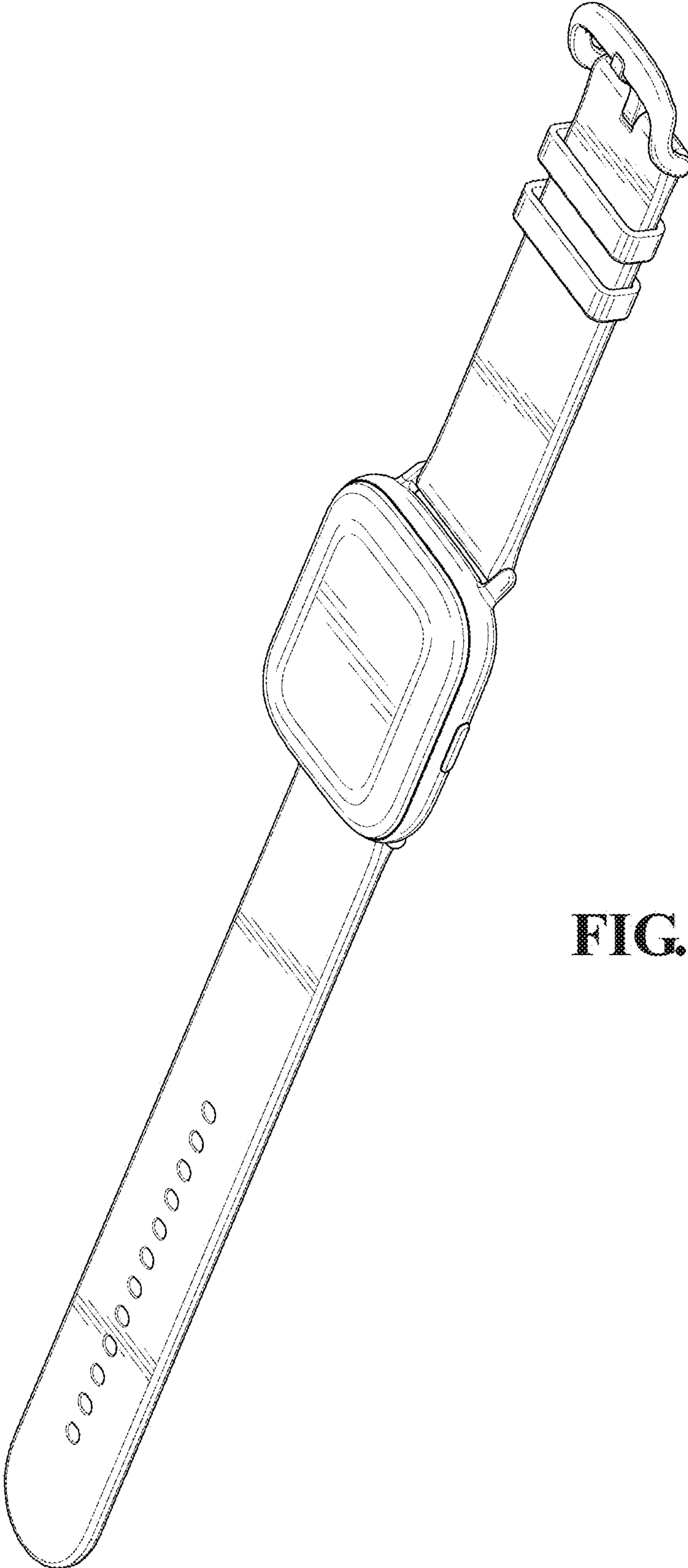


FIG. 1

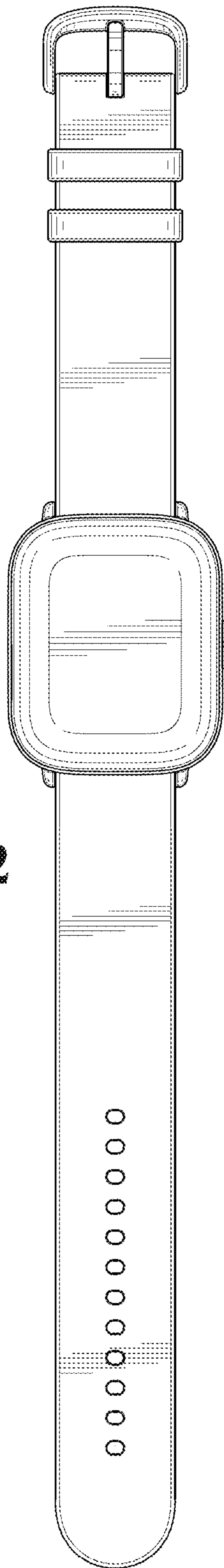


FIG. 2

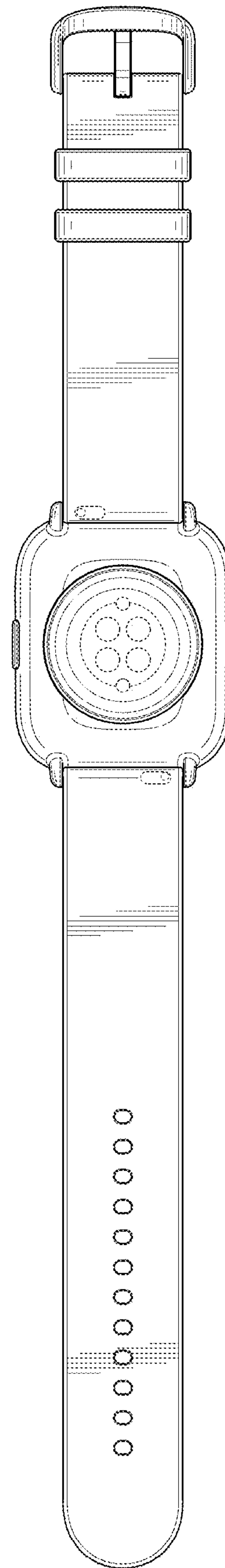


FIG. 3

FIG. 4

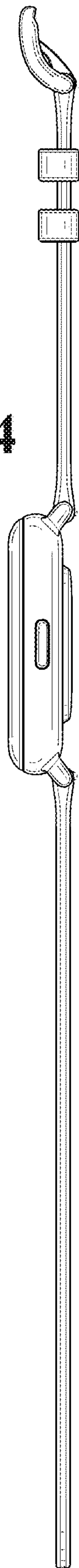


FIG. 5

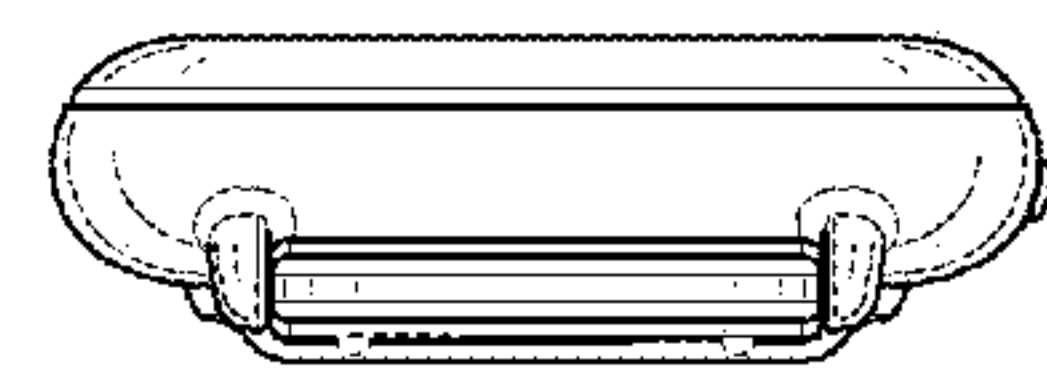
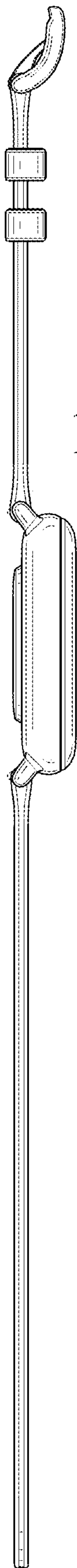


FIG. 6

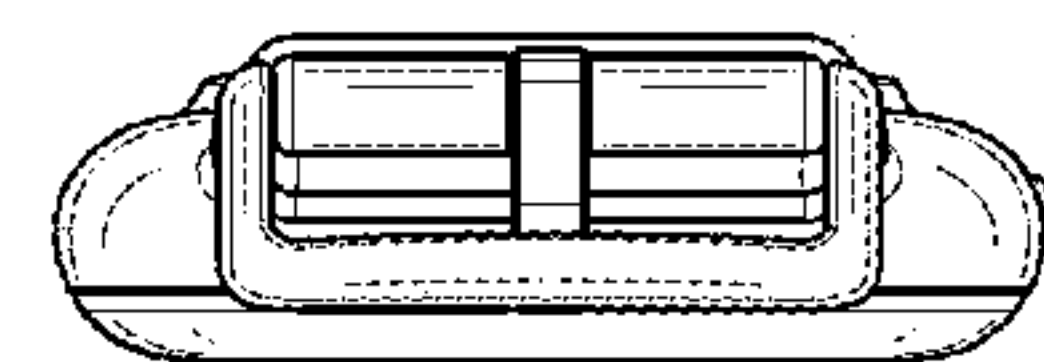


FIG. 7

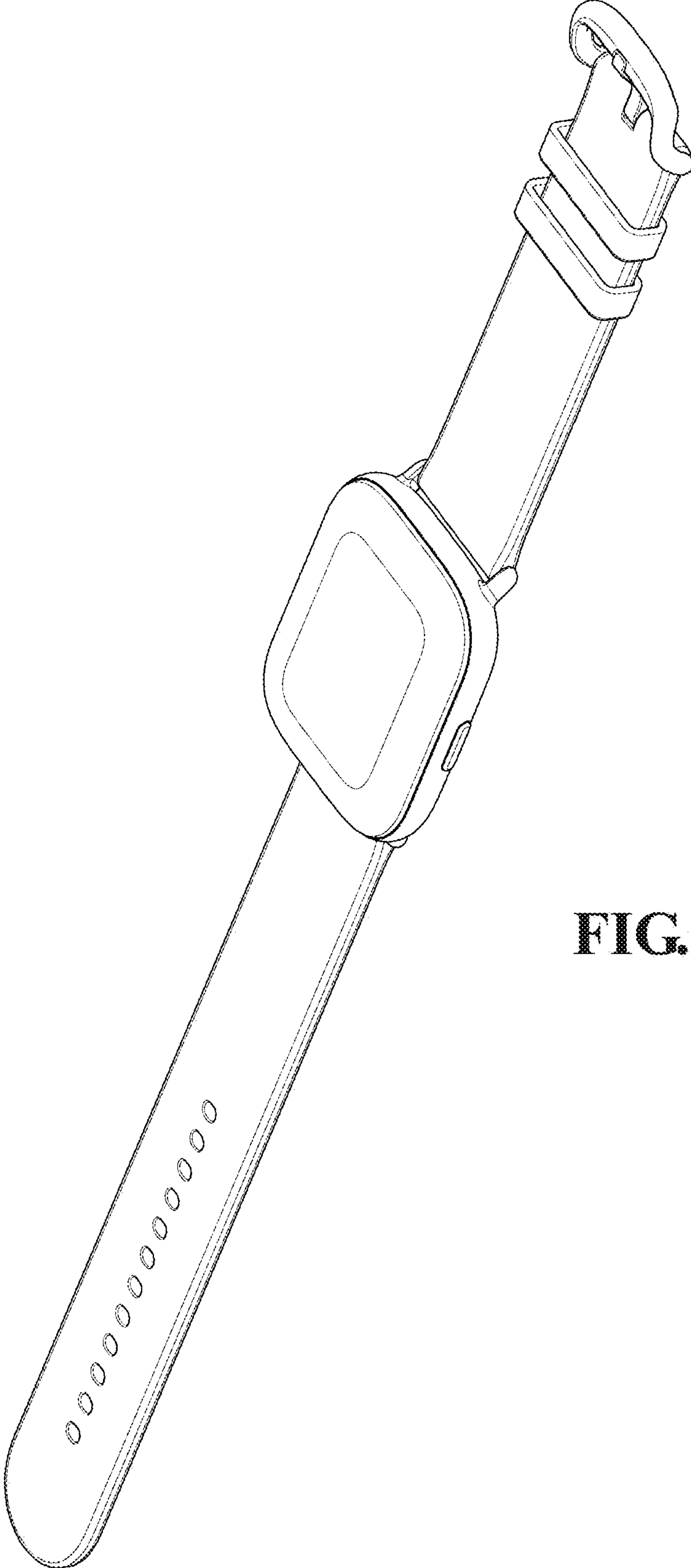


FIG. 8

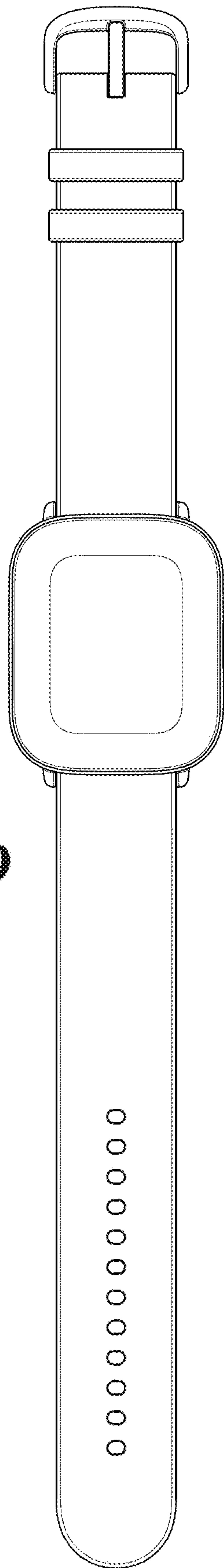


FIG. 9

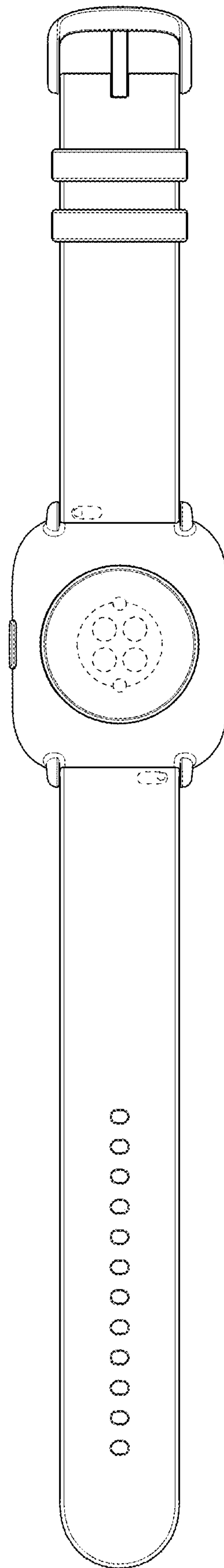


FIG. 10

FIG. 11

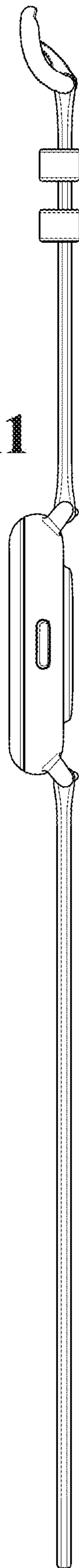


FIG. 12

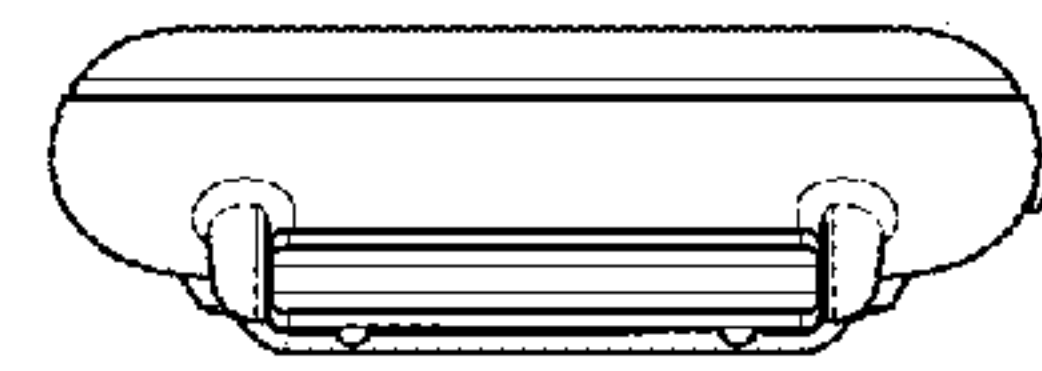
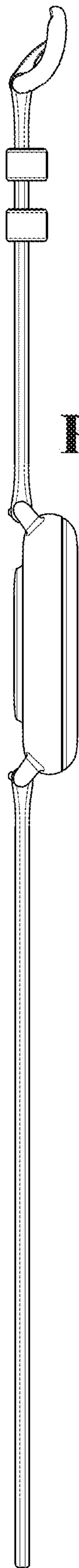


FIG. 13

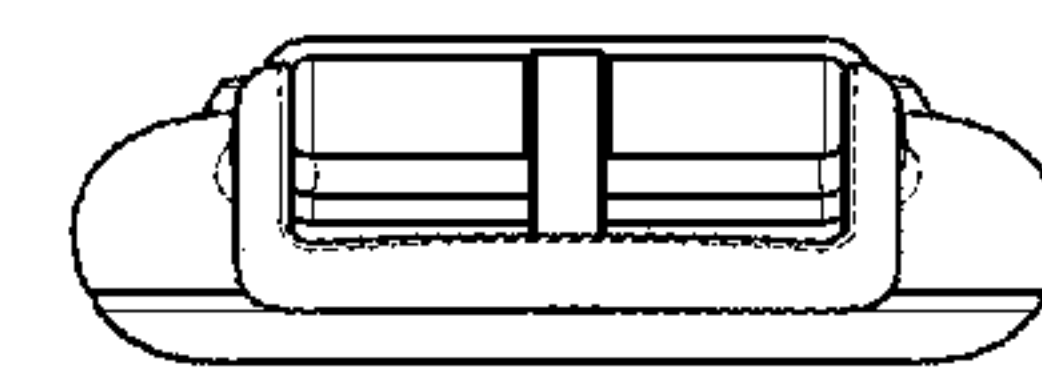


FIG. 14