



US00D981400S

(12) **United States Design Patent**
King et al.

(10) **Patent No.:** **US D981,400 S**
(45) **Date of Patent:** **** Mar. 21, 2023**

(54) **SMART WATCH**

- (71) Applicants: **Zepp, Inc.**, Cupertino, CA (US); **Anhui Huami Information Technology Co., Ltd.**, Hefei (CN)
- (72) Inventors: **Albert Wenfu King**, Cupertino, CA (US); **Jing Zhao**, Anhui (CN)
- (73) Assignees: **Zepp, Inc.**, Cupertino, CA (US); **Anhui Huami Information Technology Co., Ltd.**, Anhui (CN)

(**) Term: **15 Years**

(21) Appl. No.: **29/739,979**

(22) Filed: **Jun. 30, 2020**

(51) **LOC (14) Cl.** **14-02**

(52) **U.S. Cl.**
USPC **D14/344**

(58) **Field of Classification Search**
USPC D14/138 R, 344; D10/30, 31, 32, 38, 70; D11/3; D24/167
CPC G04G 17/00; G04G 17/06; G04G 17/08; G04G 17/083; G04G 17/045; G04G 21/00; G04G 21/02; G04G 21/025; G04G 21/06; G04G 21/08; G04G 99/006; G06F 1/163; A44C 5/00; A44C 5/0007; A44C 5/0015; A44C 5/0045; A44C 5/0053; A44C 5/2052; A44C 5/2071
See application file for complete search history.

(56) **References Cited**

U.S. PATENT DOCUMENTS

- D767,566 S * 9/2016 Morgenroth D14/344
 - D876,966 S * 3/2020 Shi D14/344
- (Continued)

FOREIGN PATENT DOCUMENTS

- EP 006045001-0001 1/2019
 - JP 1557767 S 9/2016
- (Continued)

OTHER PUBLICATIONS

Fossil Gen 3 Smartwatch Rose Gold-tone Stainless Steel, www.ebay.com, Jul. 4, 2020. <https://www.ebay.com/itm/Fossil-Gen-3-Smartwatch-Rose-Gold-tone-Stainless-Steel-FTW6005-DW5A-/203038950509> (Year: 2020).*

(Continued)

Primary Examiner — Llorelys Martinez

Assistant Examiner — Kwabena A. Ankobiah

(74) *Attorney, Agent, or Firm* — Young Basile Hanlon & MacFarlane, P.C.

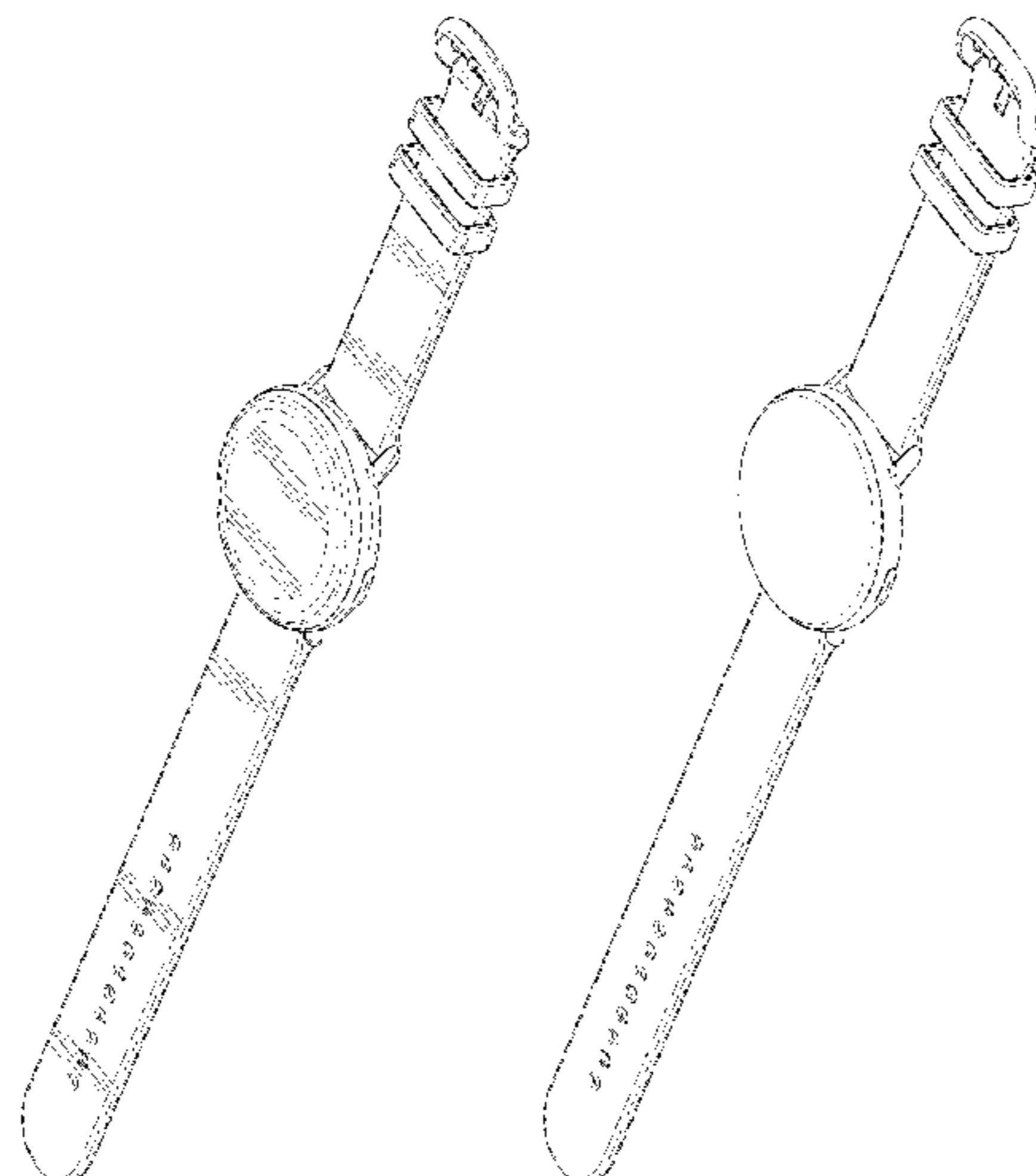
(57) **CLAIM**

The ornamental design for a smart watch, as shown and described.

DESCRIPTION

FIG. 1 is a top, front, and right perspective view of a first embodiment of the smart watch.
 FIG. 2 is a front view of the smart watch of FIG. 1.
 FIG. 3 is a rear view of the smart watch of FIG. 1.
 FIG. 4 is a right side view of the smart watch of FIG. 1.
 FIG. 5 is a left side view of the smart watch of FIG. 1.
 FIG. 6 is a bottom view of the smart watch of FIG. 1.
 FIG. 7 is a top view of the smart watch of FIG. 1.
 FIG. 8 is a top, front, and right perspective view of a second embodiment of the smart watch.
 FIG. 9 is a front view of the smart watch of FIG. 8.
 FIG. 10 is a rear view of the smart watch of FIG. 8.
 FIG. 11 is a right side view of the smart watch of FIG. 8.
 FIG. 12 is a left side view of the smart watch of FIG. 8.
 FIG. 13 is a bottom view of the smart watch of FIG. 8; and,
 FIG. 14 is a top view of the smart watch of FIG. 8.
 The broken lines in the drawings illustrate portions of the smart watch that form no part of the claimed design.

1 Claim, 6 Drawing Sheets



(56)

References Cited

U.S. PATENT DOCUMENTS

D893,322 S * 8/2020 Xiao D10/70
 D893,474 S * 8/2020 Chung D14/344
 D900,643 S * 11/2020 Barberis D14/344
 D900,644 S * 11/2020 Register D14/344
 D918,059 S * 5/2021 Wang D14/344
 D920,830 S * 6/2021 Chao D11/3
 D923,004 S * 6/2021 Gao D14/344
 D926,613 S * 8/2021 Chao D11/3
 D927,325 S * 8/2021 Droze D10/32
 D928,147 S * 8/2021 Lee D14/344
 D928,633 S * 8/2021 Register D14/344
 D933,065 S * 10/2021 Hong D14/344
 D944,100 S * 2/2022 Register D10/128
 D945,415 S * 3/2022 Chao D14/344
 D956,236 S * 6/2022 Chao D10/38
 D960,153 S * 8/2022 Wu D14/344
 D962,931 S * 9/2022 He D14/344

FOREIGN PATENT DOCUMENTS

JP 1665030 S 8/2020
 KR 301011397 S 6/2019

OTHER PUBLICATIONS

Smart Watch for Women, AGPTEK Smartwatch for Android and iOS Phones, www.amazon.com, Sep. 8, 2020. https://www.amazon.com/dp/B08HMRY8NG/ref=sspa_dk_detail_6?pd_rd_i=B08HMRY8NG (Year: 2020).*
 BE-PAL; <https://www.j-platpat.inpit.go.jp/d0200>; pp. 1-3; Jun. 10, 2018.
 Tissot Ltd.; The Swatch Group AG; <https://www.wipo.int/haguebulletin/tran/details/5675701>; pp. 1-2; Jun. 8, 2018.
 Suunto 3 Fitness; Suunto Oy; <https://www.suunto.com/ja-JP/News/suunto-launches-the-smart-suunto-3-fitness>; pp. 1-3; Feb. 9, 2018.

* cited by examiner

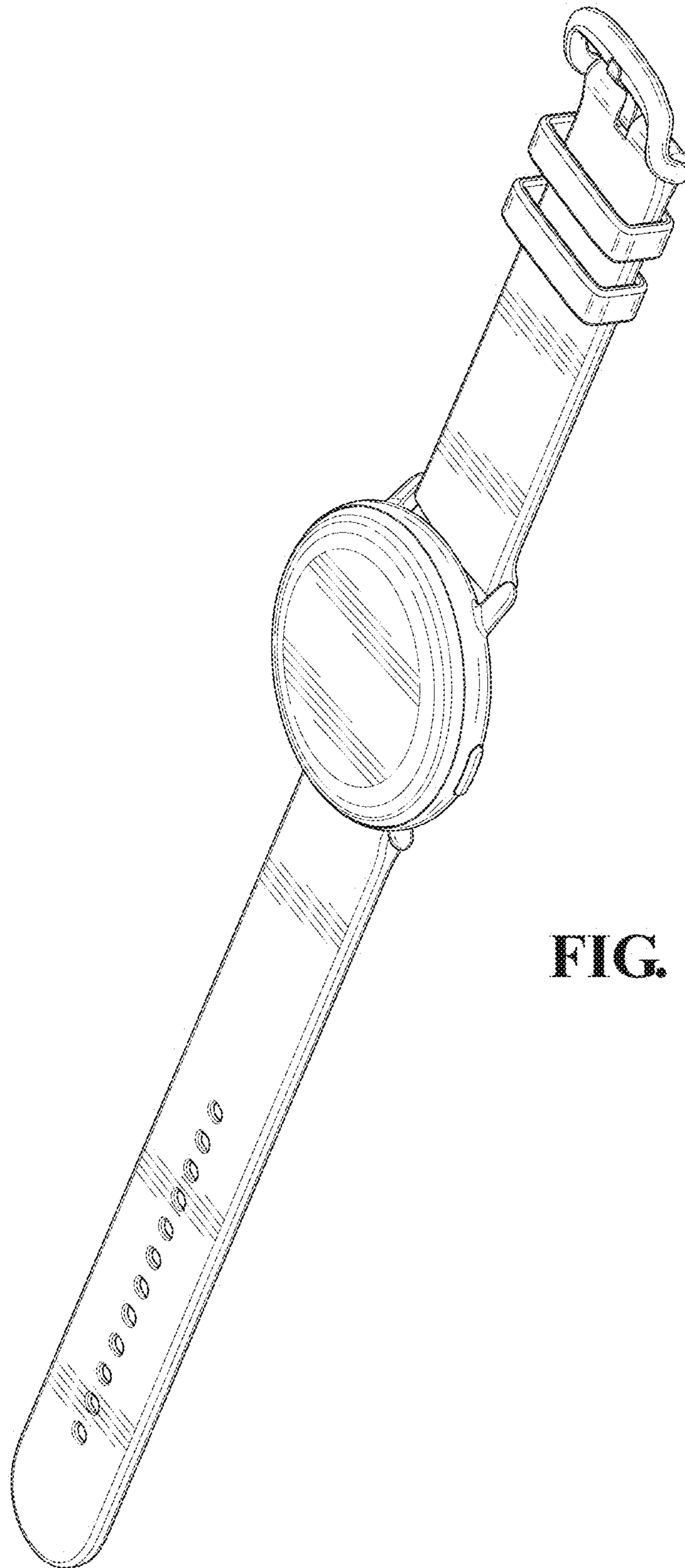


FIG. 1

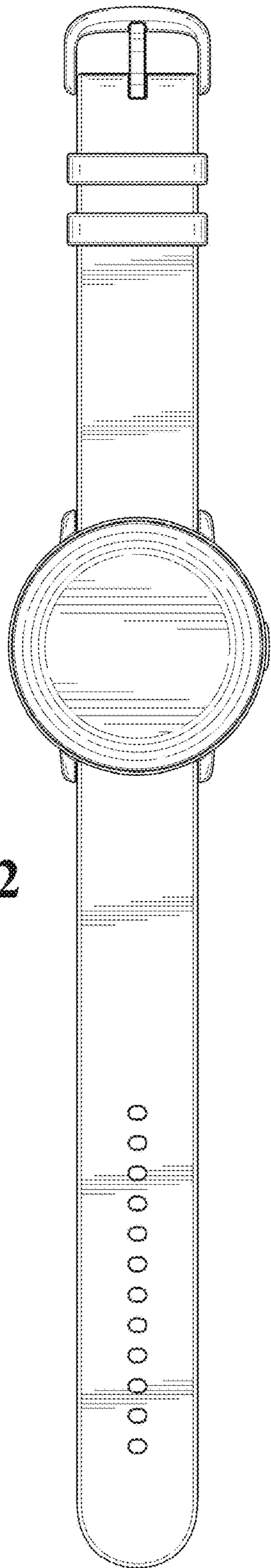


FIG. 2

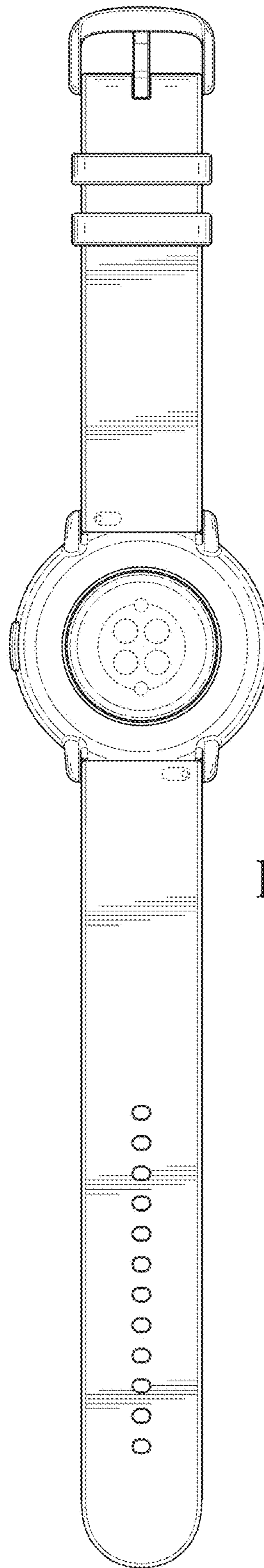


FIG. 3

FIG. 4

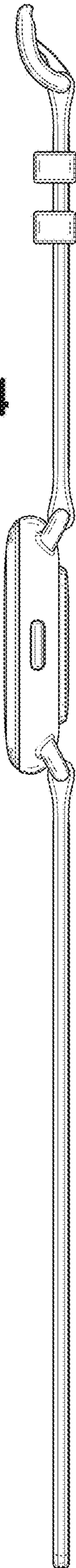


FIG. 5

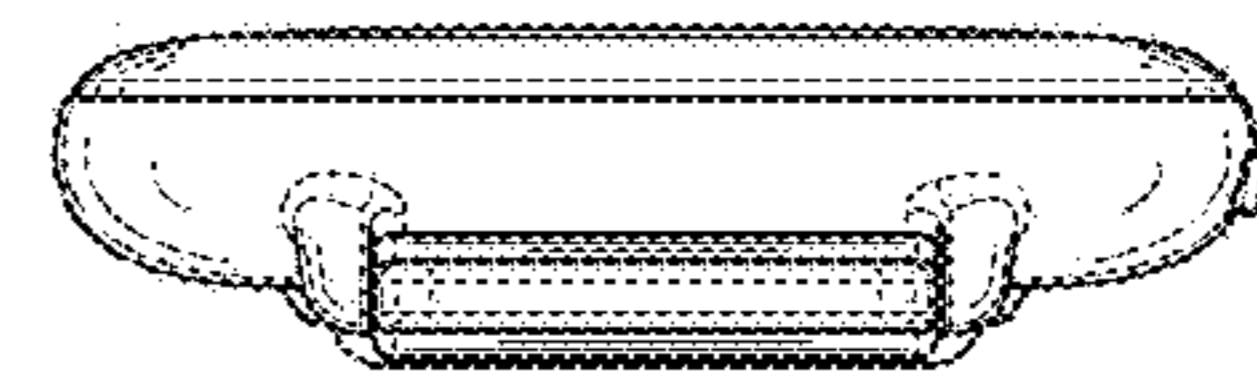
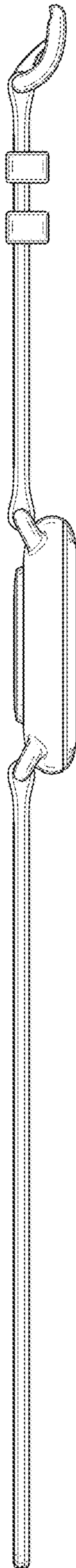


FIG. 6

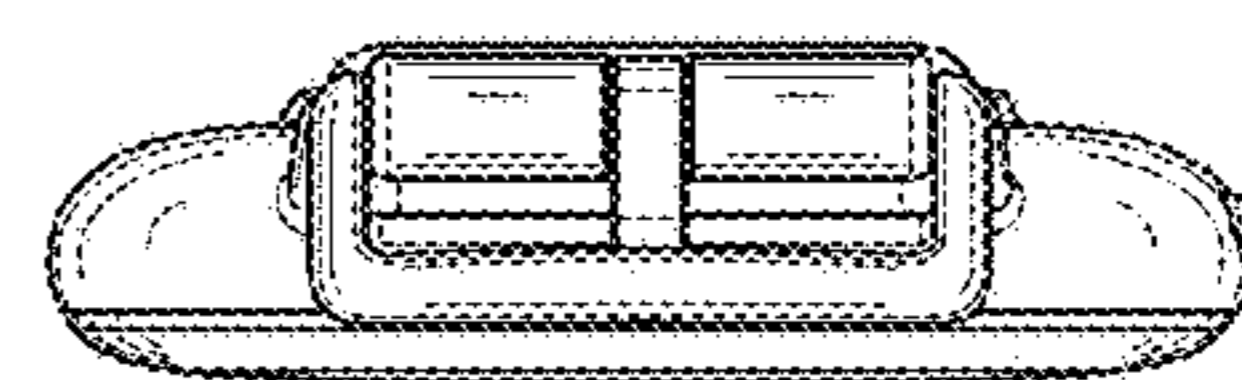


FIG. 7

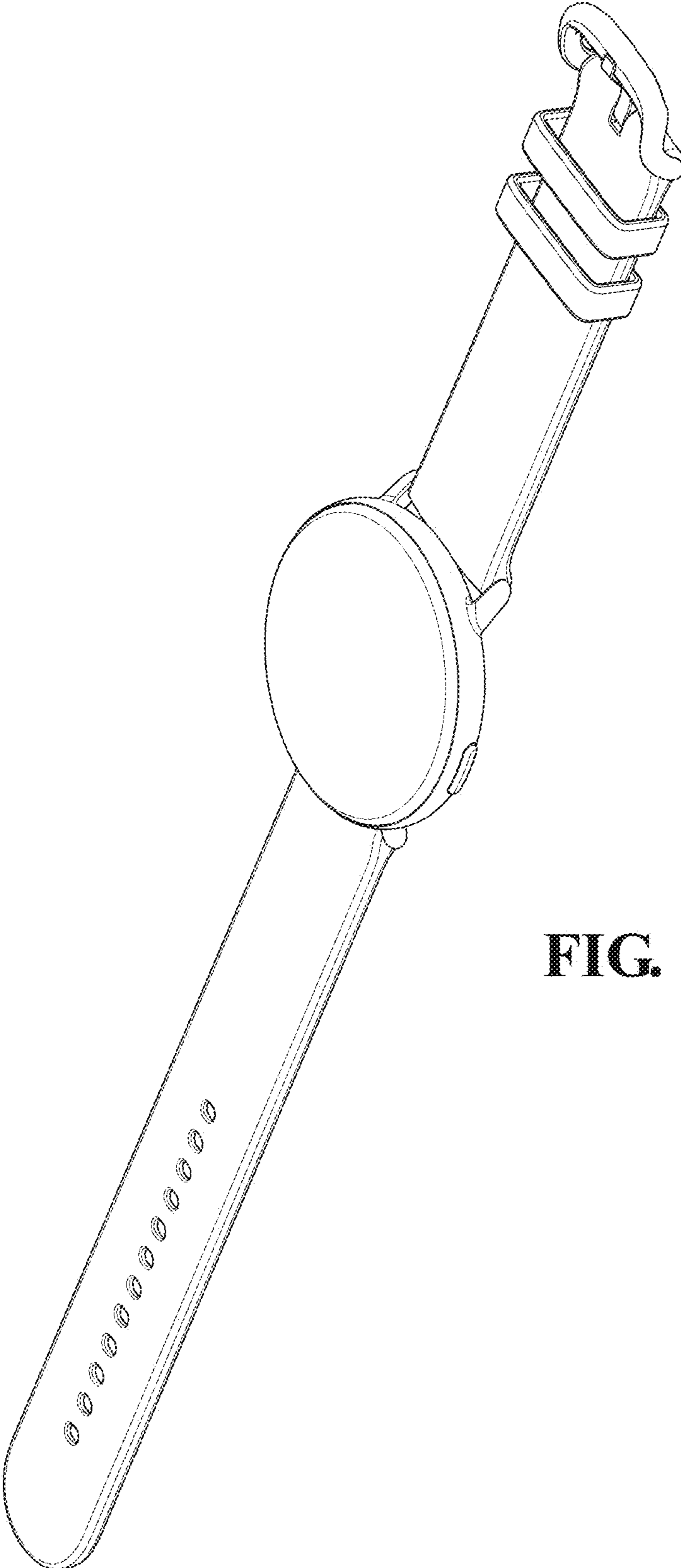


FIG. 8

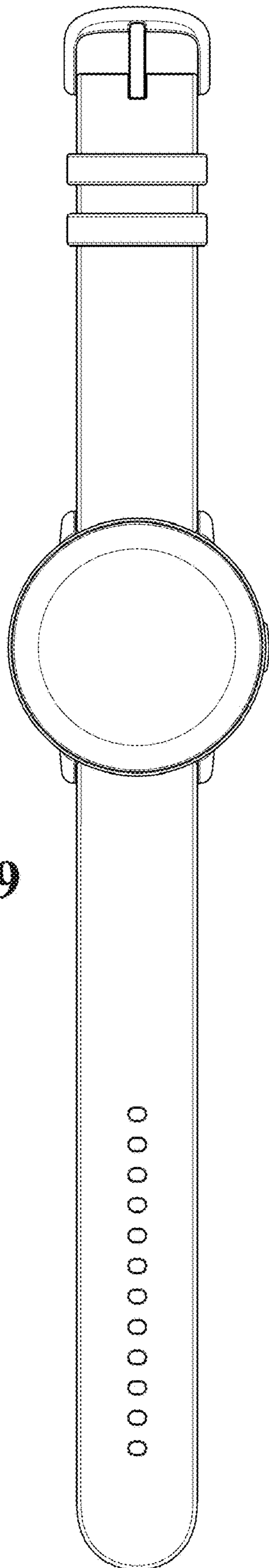


FIG. 9

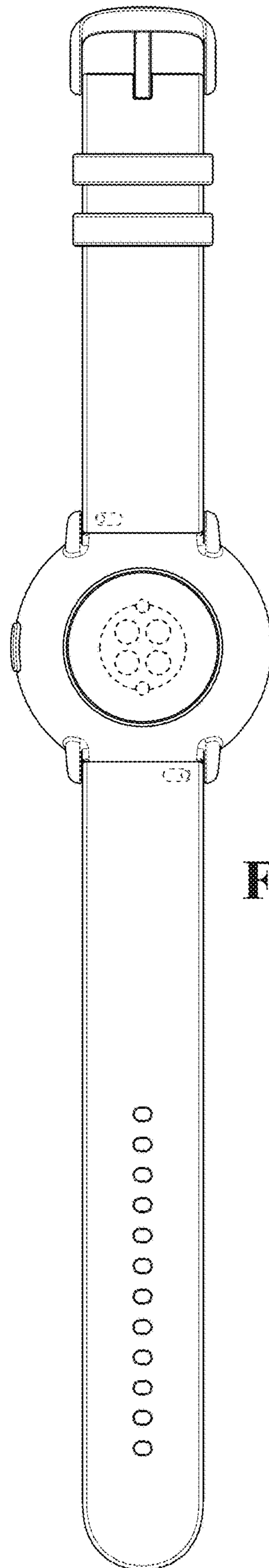


FIG. 10

FIG. 11

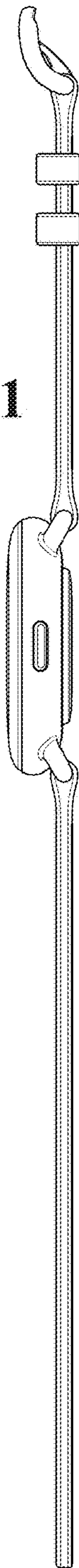


FIG. 12

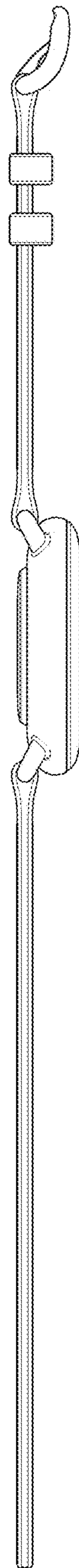


FIG. 13

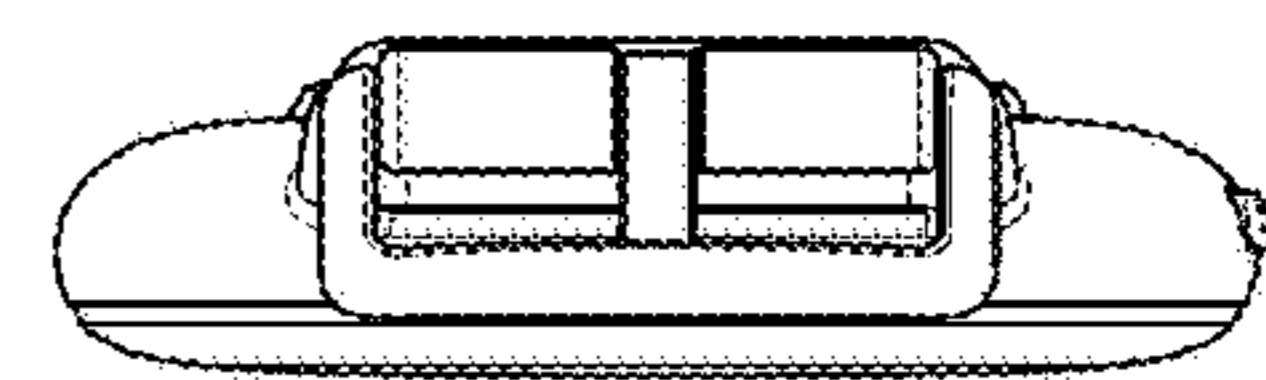


FIG. 14