



US00D981396S

(12) **United States Design Patent**
Pollmann

(10) **Patent No.:** **US D981,396 S**
(45) **Date of Patent:** **** Mar. 21, 2023**

- (54) **SELF SERVICE TERMINAL**
- (71) Applicant: **Wincor Nixdorf International GmbH**,
Paderborn (DE)
- (72) Inventor: **Gregor Pollmann**, Rainbow (DE)
- (73) Assignee: **Wincor Nixdorf International GmbH**,
Paderborn (DE)
- (**) Term: **15 Years**
- (21) Appl. No.: **29/781,221**
- (22) Filed: **Apr. 28, 2021**
- (51) **LOC (14) Cl.** **14-02**
- (52) **U.S. Cl.**
USPC **D14/307**
- (58) **Field of Classification Search**
USPC D14/302-307, 900-902; D13/163;
D20/10; D21/332, 325, 369, 370;
D99/28; D6/397, 466, 698, 699;
194/206; 361/679.01, 679.02, 679.04,
361/679.21, 679.57, 725
CPC G06Q 20/18; G06Q 20/10; G06Q 20/123;
G06Q 20/20; G06Q 30/02; G06Q 30/06;
G06Q 20/108; G06Q 20/1085; A47F
9/047
See application file for complete search history.

- D566,702 S * 4/2008 Malone D14/307
 - D567,233 S * 4/2008 Malone D14/307
 - D574,377 S * 8/2008 Derocher D14/307
 - D581,409 S * 11/2008 Giugiaro D14/307
 - D590,625 S * 4/2009 Sato D6/698
 - D590,626 S * 4/2009 Sato D6/698
 - D625,305 S * 10/2010 Bleck D14/902
 - D631,264 S * 1/2011 Kruse D6/699
 - D631,676 S * 2/2011 Kruse D6/699
 - D648,953 S * 11/2011 Kruse D6/699
 - D652,650 S * 1/2012 Kruse D6/699
 - D659,748 S * 5/2012 Helgesson D99/28
 - D708,676 S * 7/2014 Ballman D21/369
 - D749,290 S * 2/2016 Pollmann D99/28
 - D751,325 S * 3/2016 Catoe G06Q 20/20
D6/699
 - D752,573 S * 3/2016 Ballman D14/307
- (Continued)

Primary Examiner — Austin Murphy
(74) *Attorney, Agent, or Firm* — Black McCuskey

(57) **CLAIM**

The ornamental design for a self service terminal, as shown and described.

DESCRIPTION

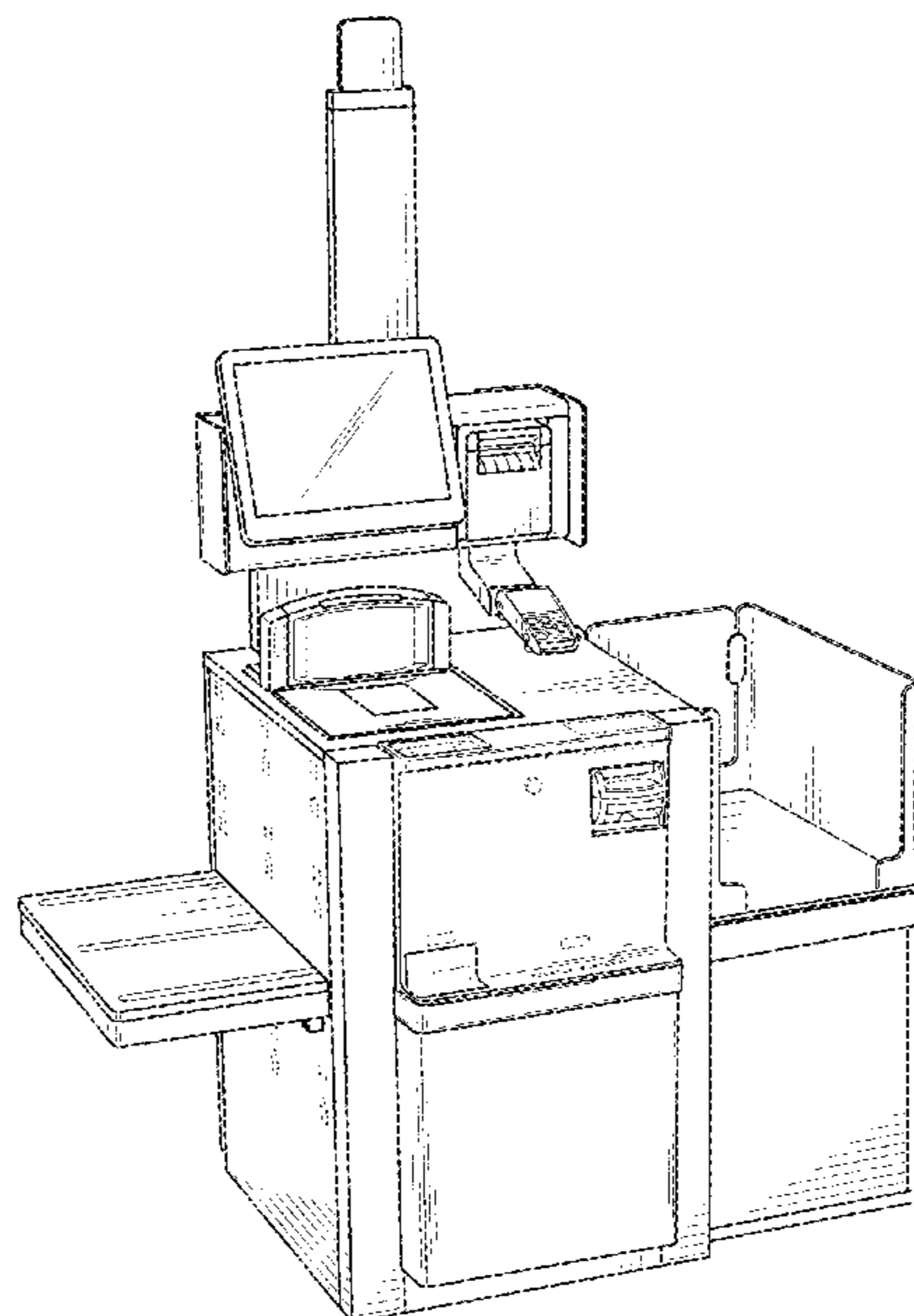
FIG. 1 is a top-left-front perspective view of a self service terminal showing our new design.
FIG. 2 is a front view of the self service terminal of FIG. 1.
FIG. 3 is a back view of the self service terminal of FIG. 1.
FIG. 4 is a left side view of the self service terminal of FIG. 1.
FIG. 5 is a right side view of the self service terminal of FIG. 1.
FIG. 6 is a top view of the self service terminal of FIG. 1.
FIG. 7 is a bottom view of the self service terminal of FIG. 1; and,
FIG. 8 is a top-right-front perspective view of the self service terminal of FIG. 1.

1 Claim, 8 Drawing Sheets

(56) **References Cited**

U.S. PATENT DOCUMENTS

- D299,345 S * 1/1989 Foy D10/75
- D347,837 S * 6/1994 Gerlach D14/496
- D351,160 S * 10/1994 Massey D14/902
- D461,907 S * 8/2002 Bain D99/28
- D529,255 S * 9/2006 Sato D99/28
- D536,192 S * 2/2007 Kruse D6/698
- D558,481 S * 1/2008 Dias D6/698



(56)

References Cited

U.S. PATENT DOCUMENTS

D782,465 S	*	3/2017	Chen	D14/307
D828,348 S	*	9/2018	Lee	D14/307
D841,643 S	*	2/2019	Dillon	D14/307
D864,635 S	*	10/2019	Bacallao	D6/699
D901,825 S	*	11/2020	Nelson	D99/28
D929,394 S	*	8/2021	Berini	D14/307
D945,413 S	*	3/2022	Del Sesto	D14/307

* cited by examiner

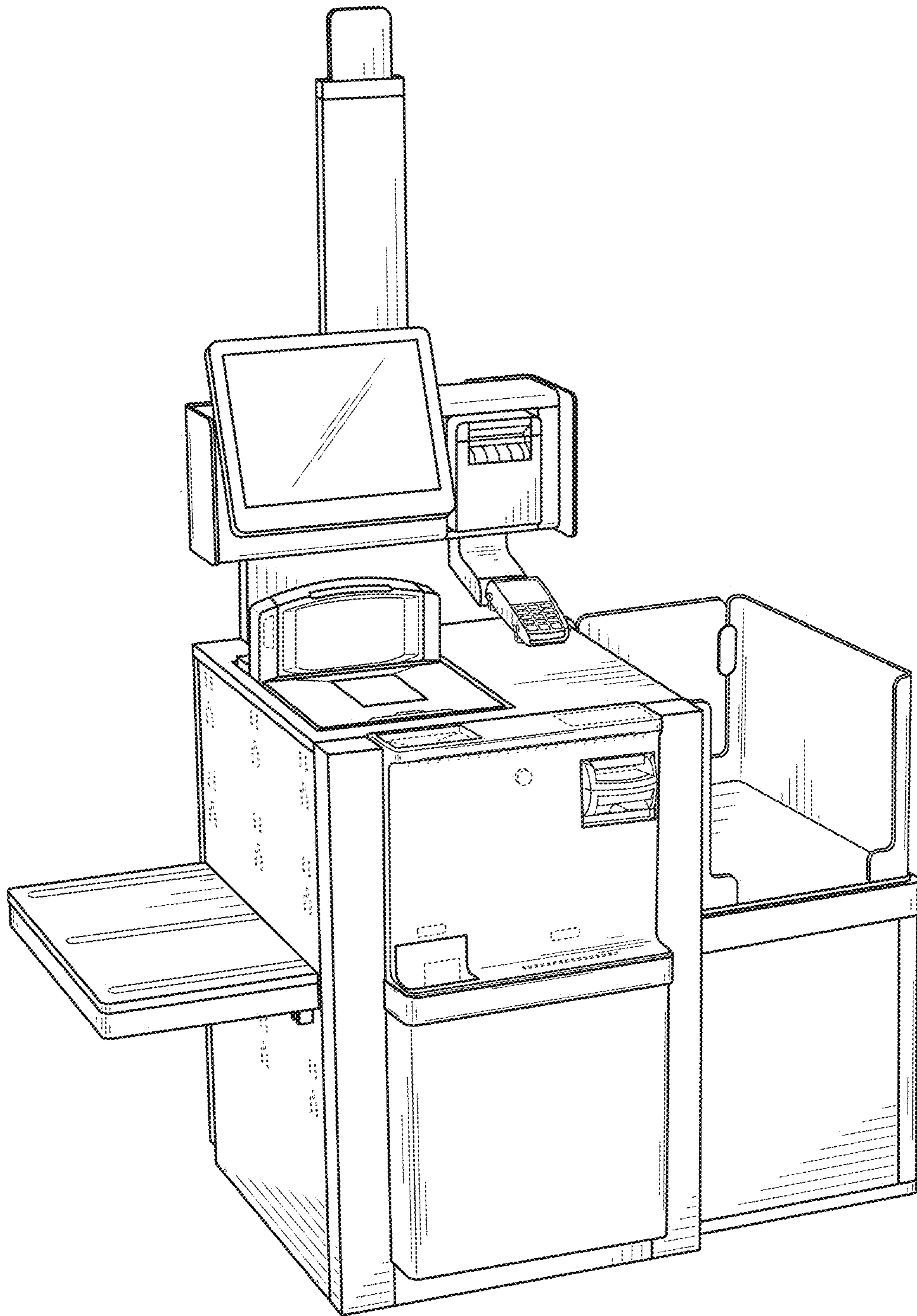


FIG. 1

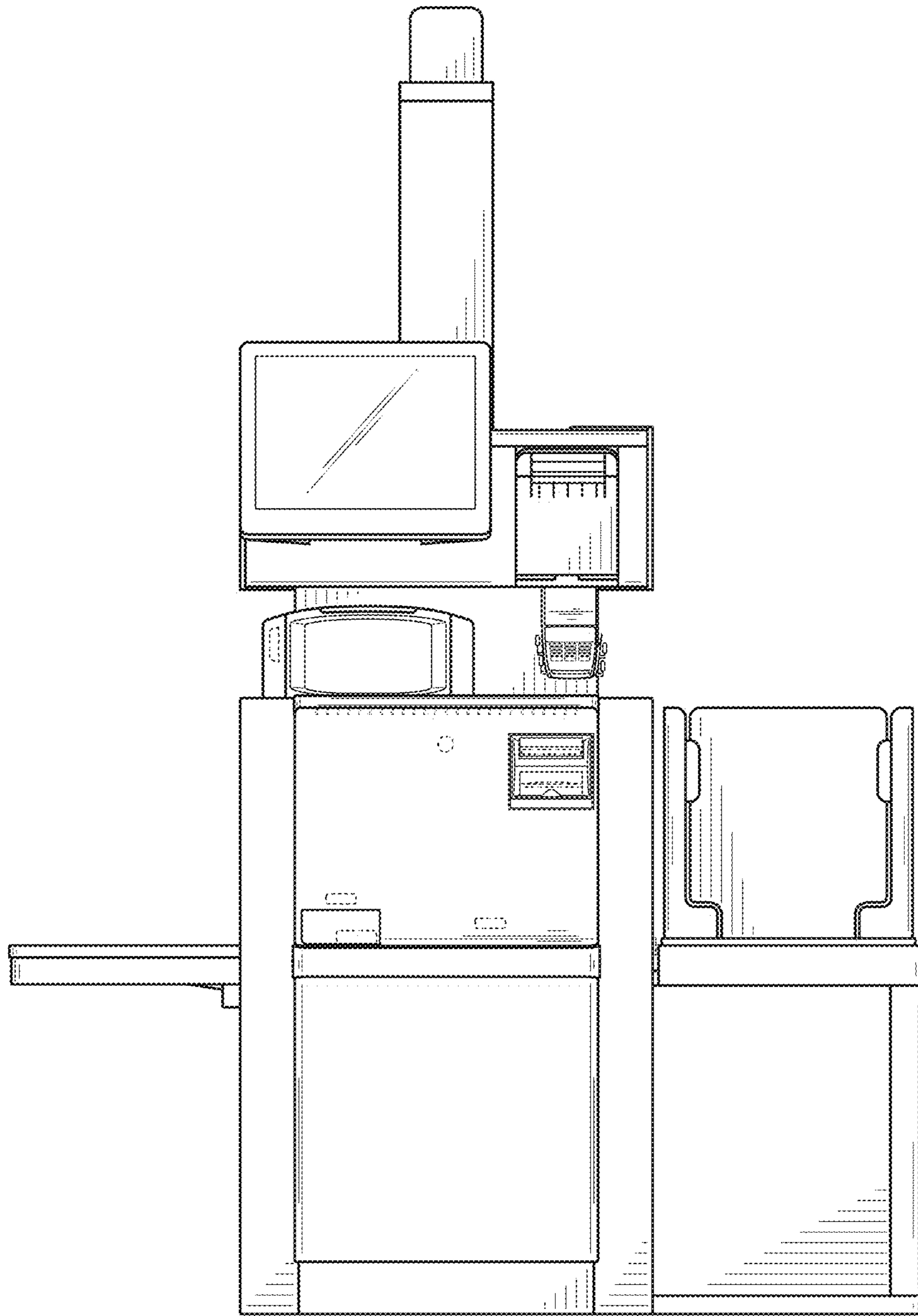


FIG. 2

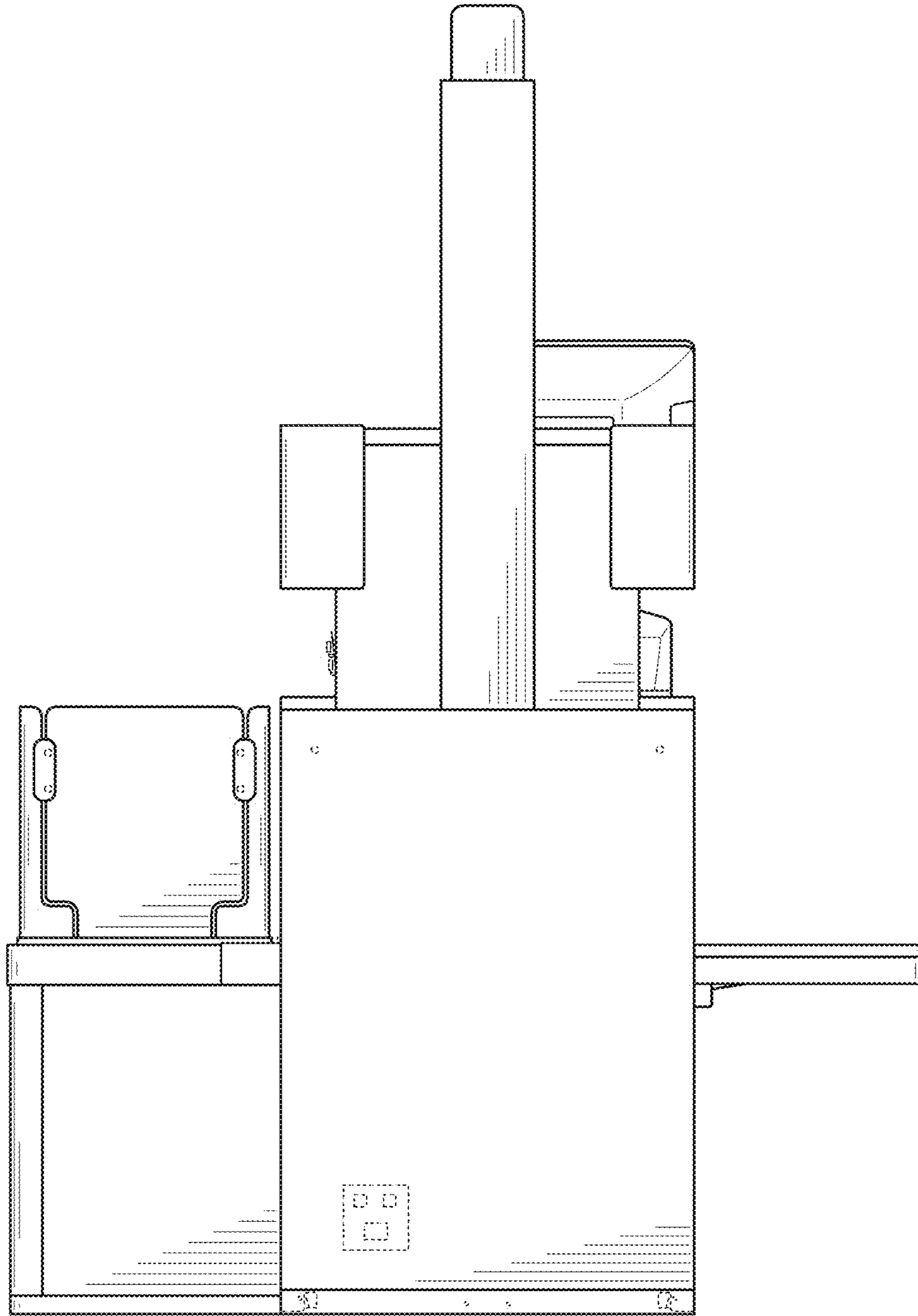


FIG. 3

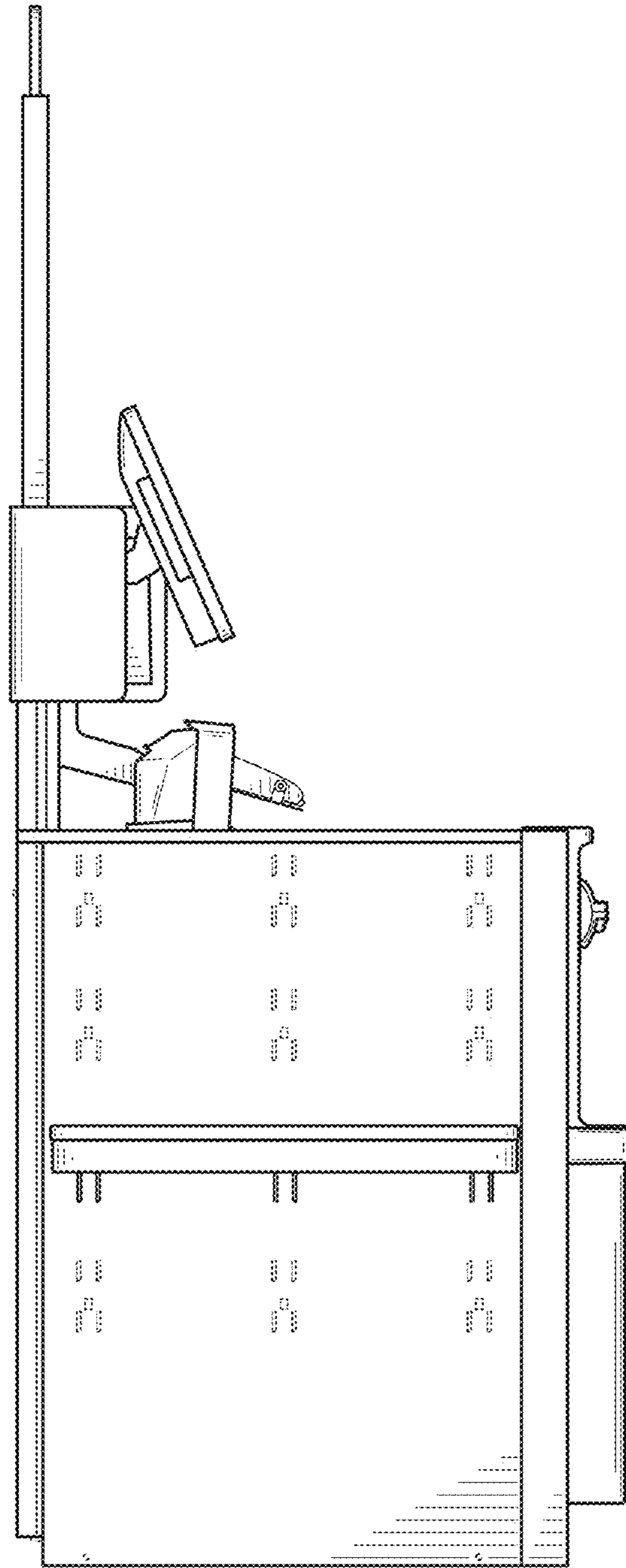


FIG. 4

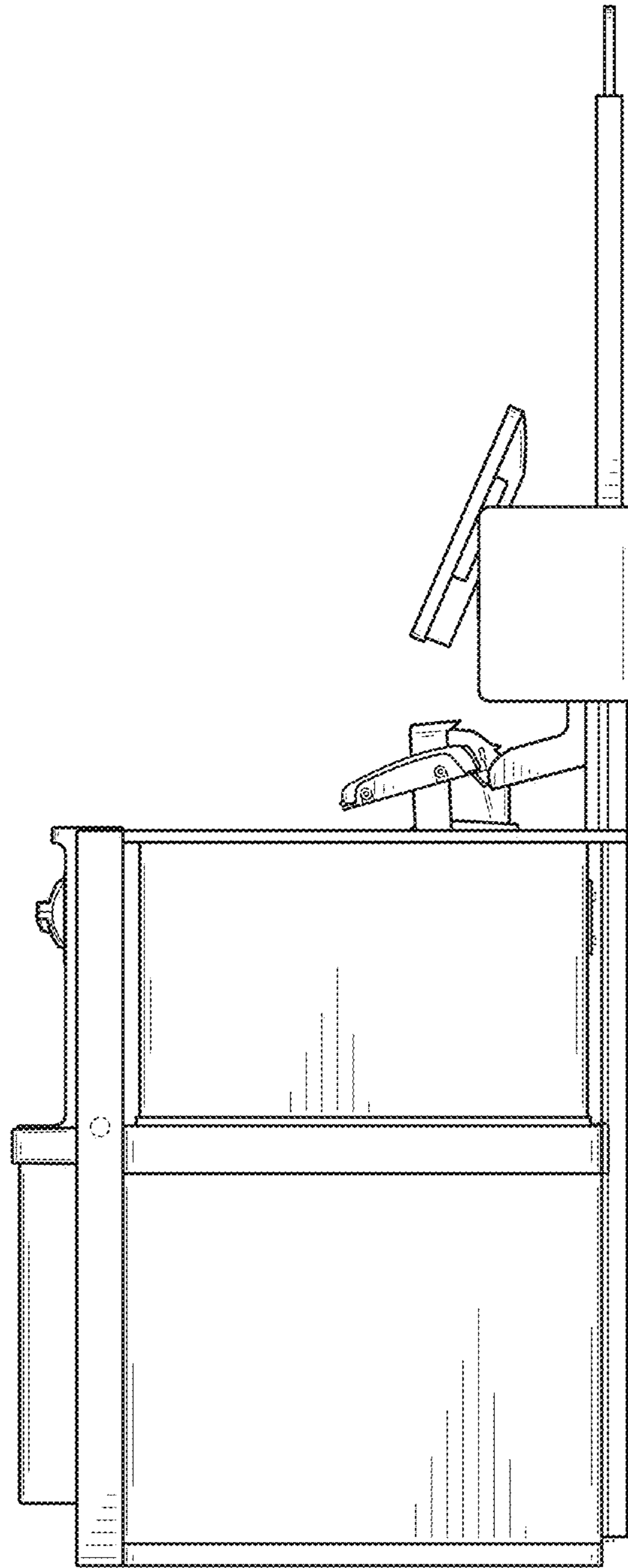


FIG. 5

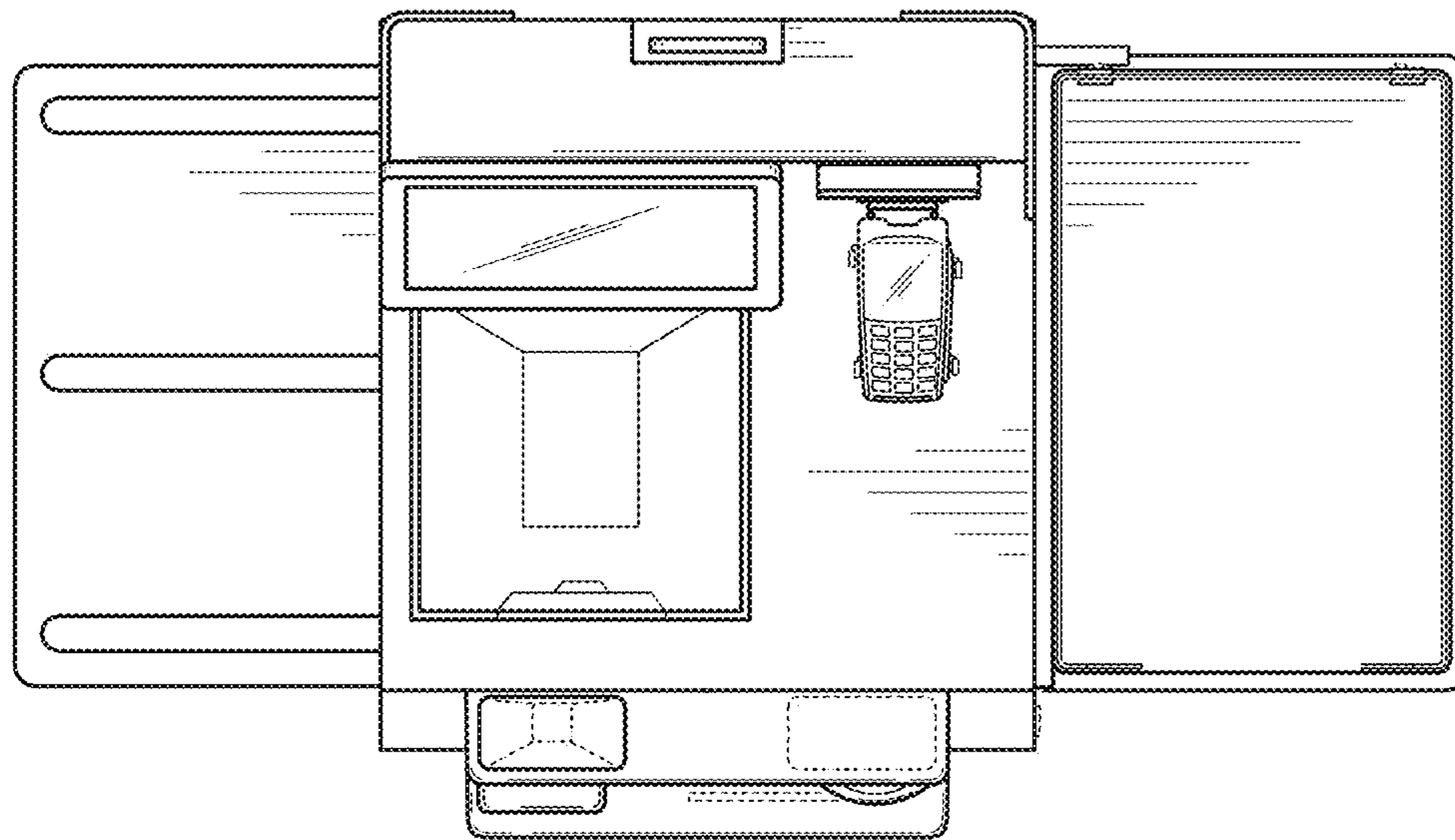


FIG. 6

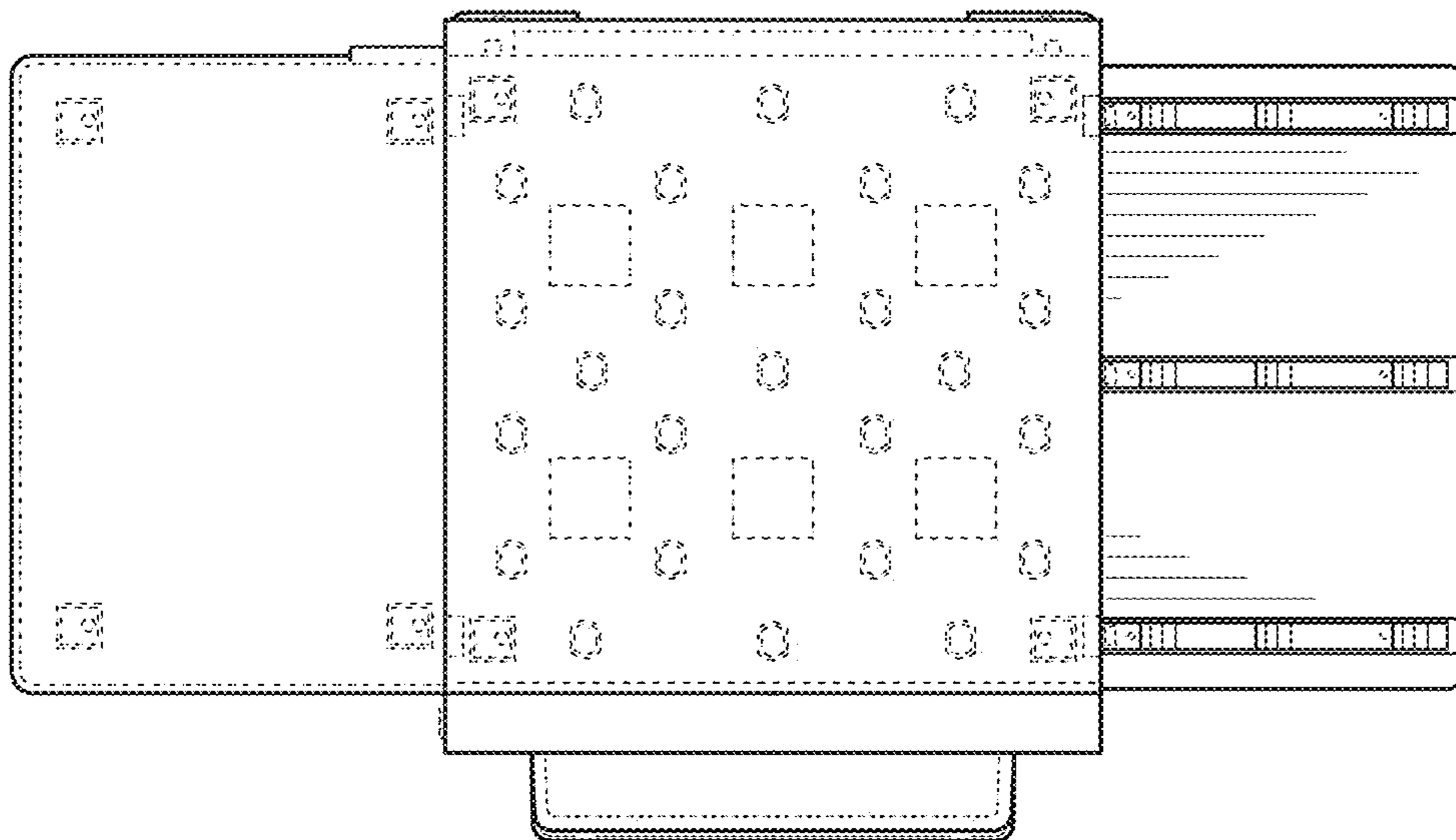


FIG. 7

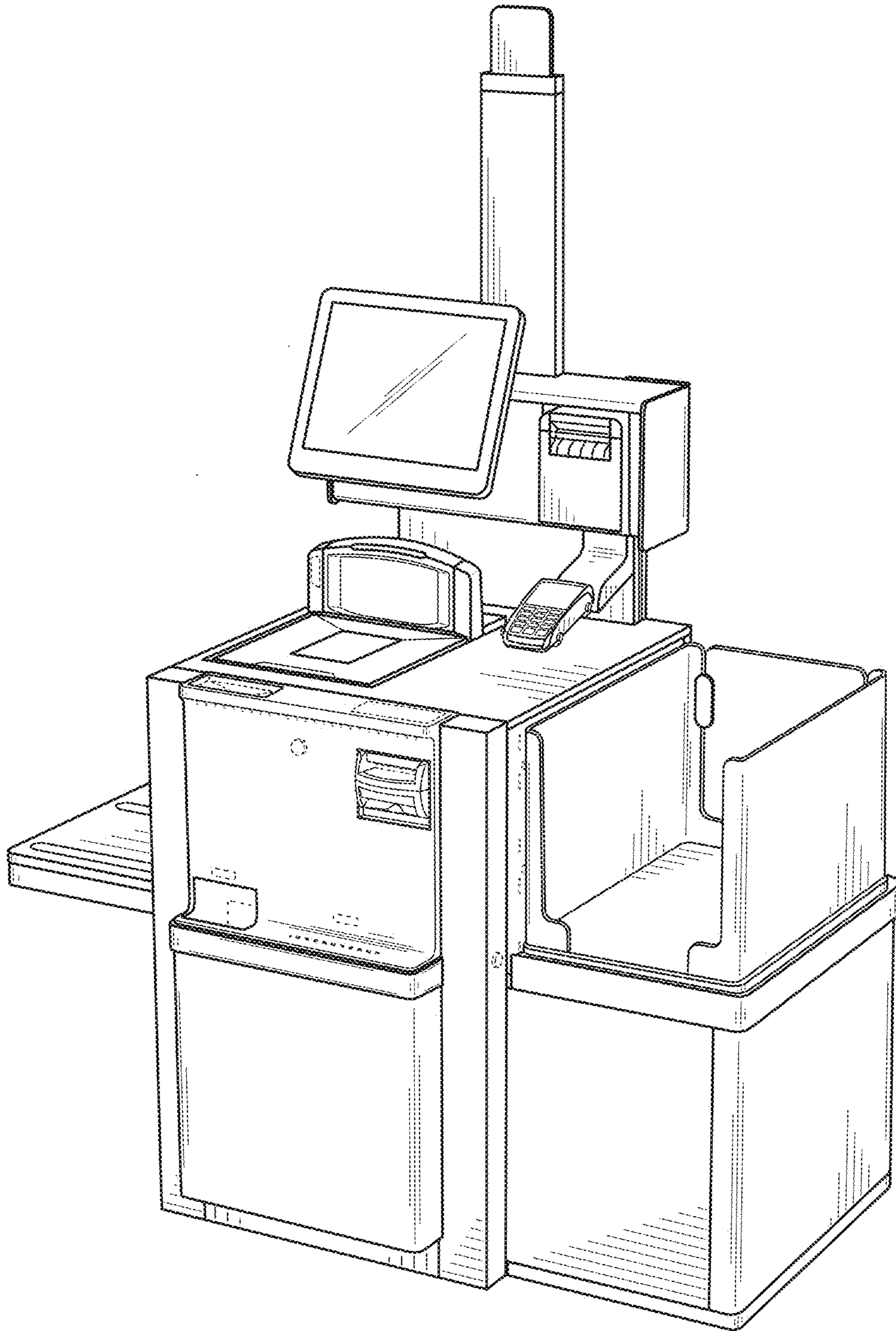


FIG. 8