



US00D981394S

(12) **United States Design Patent** (10) **Patent No.:** **US D981,394 S**  
**Pollmann** (45) **Date of Patent:** **\*\* Mar. 21, 2023**

(54) **SELF SERVICE TERMINAL**  
(71) Applicant: **Wincor Nixdorf International GmbH**,  
Paderborn (DE)  
(72) Inventor: **Gregor Pollmann**, Rainbow (DE)  
(73) Assignee: **Wincor Nixdorf International GmbH**,  
Paderborn (DE)  
(\*\*) Term: **15 Years**  
(21) Appl. No.: **29/781,218**  
(22) Filed: **Apr. 28, 2021**  
(51) **LOC (14) Cl.** ..... **14-02**  
(52) **U.S. Cl.**  
USPC ..... **D14/307**  
(58) **Field of Classification Search**  
USPC ..... D14/302-307, 900-902; D13/163;  
D20/10; D21/332, 325, 369, 370;  
D99/28; D6/397, 466, 698, 699;  
194/206; 361/679.01, 679.02, 679.04,  
361/679.21, 679.57, 725  
CPC ..... G06Q 20/18; G06Q 20/10; G06Q 20/123;  
G06Q 20/20; G06Q 30/02; G06Q 30/06;  
G06Q 20/108; G06Q 20/1085; A47F  
9/047  
See application file for complete search history.

(56) **References Cited**  
U.S. PATENT DOCUMENTS  
D299,345 S \* 1/1989 Foy ..... D10/75  
D347,837 S \* 6/1994 Gerlach ..... D14/496  
D351,160 S \* 10/1994 Massey ..... D14/902  
D461,907 S \* 8/2002 Bain ..... D99/28  
D529,255 S \* 9/2006 Sato ..... D99/28  
D536,192 S \* 2/2007 Kruse ..... D6/698  
D558,481 S \* 1/2008 Dias ..... D6/698

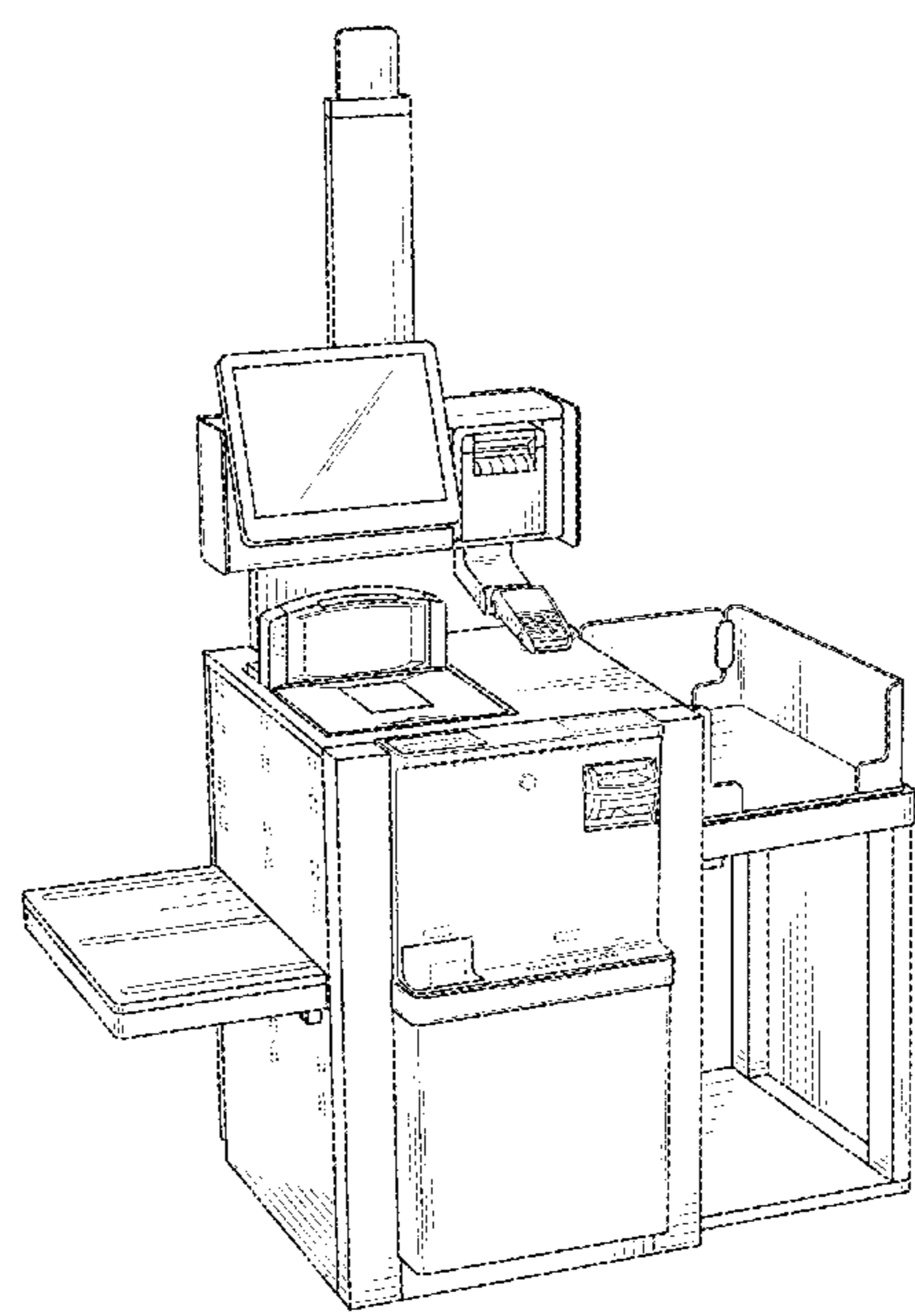
D566,702 S \* 4/2008 Malone ..... D14/307  
D567,233 S \* 4/2008 Malone ..... D14/307  
D574,377 S \* 8/2008 Derocher ..... D14/307  
D581,409 S \* 11/2008 Giugiaro ..... D14/307  
D590,625 S \* 4/2009 Sato ..... D6/698  
D590,626 S \* 4/2009 Sato ..... D6/698  
D625,305 S \* 10/2010 Bleck ..... D14/902  
D631,264 S \* 1/2011 Kruse ..... D6/699  
D631,676 S \* 2/2011 Kruse ..... D6/699  
D648,953 S \* 11/2011 Kruse ..... D6/699  
D652,650 S \* 1/2012 Kruse ..... D6/699  
D659,748 S \* 5/2012 Helgesson ..... D99/28  
D708,676 S \* 7/2014 Ballman ..... D21/369  
D749,290 S \* 2/2016 Pollmann ..... D99/28  
D751,325 S \* 3/2016 Catoe ..... G06Q 20/20  
D6/699  
D752,573 S \* 3/2016 Ballman ..... D14/307  
(Continued)

*Primary Examiner* — Austin Murphy  
(74) *Attorney, Agent, or Firm* — Black McCuskey

(57) **CLAIM**  
The ornamental design for a self service terminal, as shown and described.

**DESCRIPTION**  
FIG. 1 is a top-left-front perspective view of a self service terminal showing our new design.  
FIG. 2 is a front view of the self service terminal of FIG. 1.  
FIG. 3 is a back view of the self service terminal of FIG. 1.  
FIG. 4 is a left side view of the self service terminal of FIG. 1.  
FIG. 5 is a right side view of the self service terminal of FIG. 1.  
FIG. 6 is a top view of the self service terminal of FIG. 1.  
FIG. 7 is a bottom view of the self service terminal of FIG. 1; and,  
FIG. 8 is a top-right-front perspective view of the self service terminal of FIG. 1.

**1 Claim, 8 Drawing Sheets**



(56)

**References Cited**

U.S. PATENT DOCUMENTS

D782,465 S *	3/2017	Chen .....	D14/307
D828,348 S *	9/2018	Lee .....	D14/307
D841,643 S *	2/2019	Dillon .....	D14/307
D864,635 S *	10/2019	Bacallao .....	D6/699
D901,825 S *	11/2020	Nelson .....	D99/28
D929,394 S *	8/2021	Berini .....	D14/307
D945,413 S *	3/2022	Del Sesto .....	D14/307

\* cited by examiner

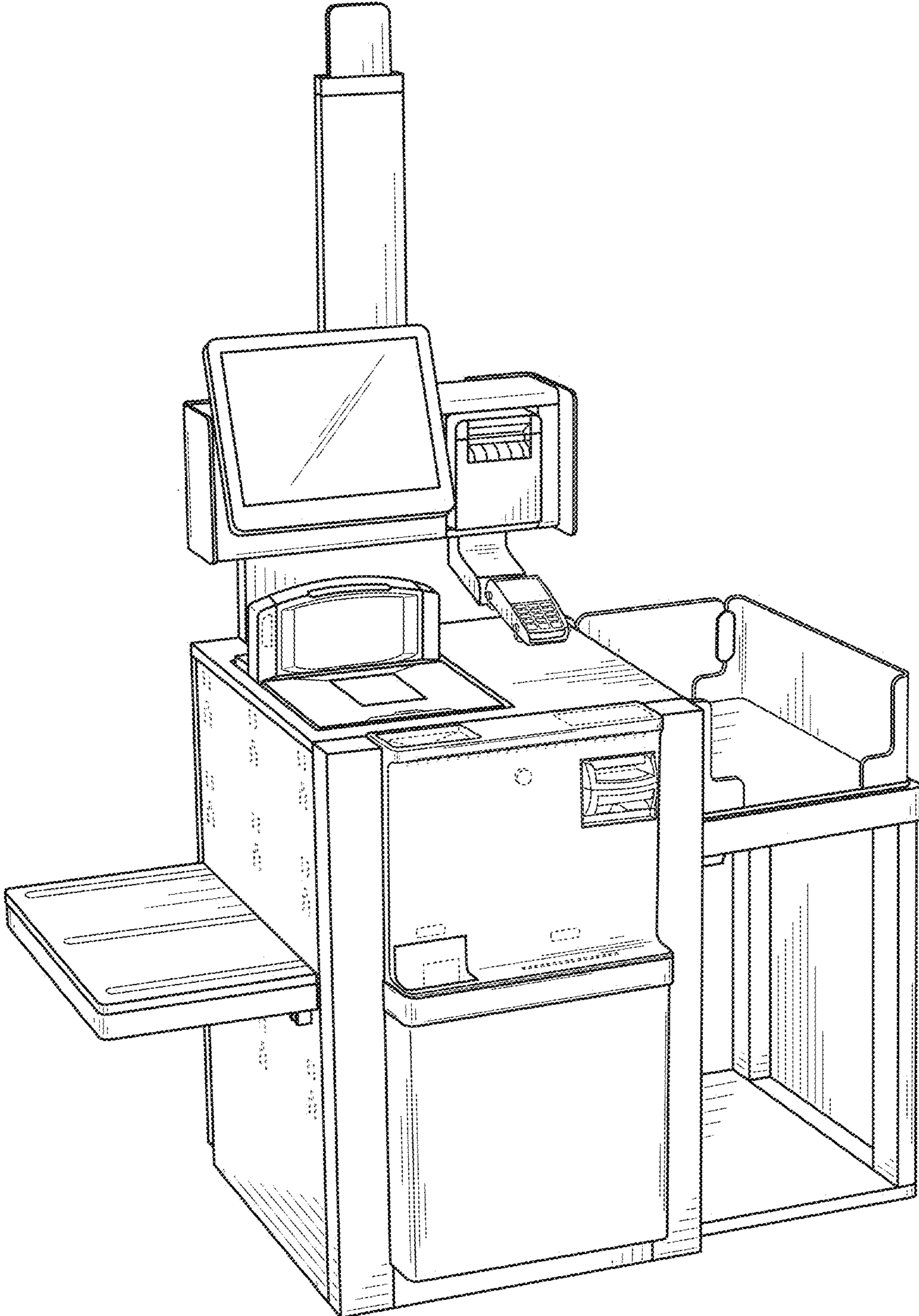


FIG. 1

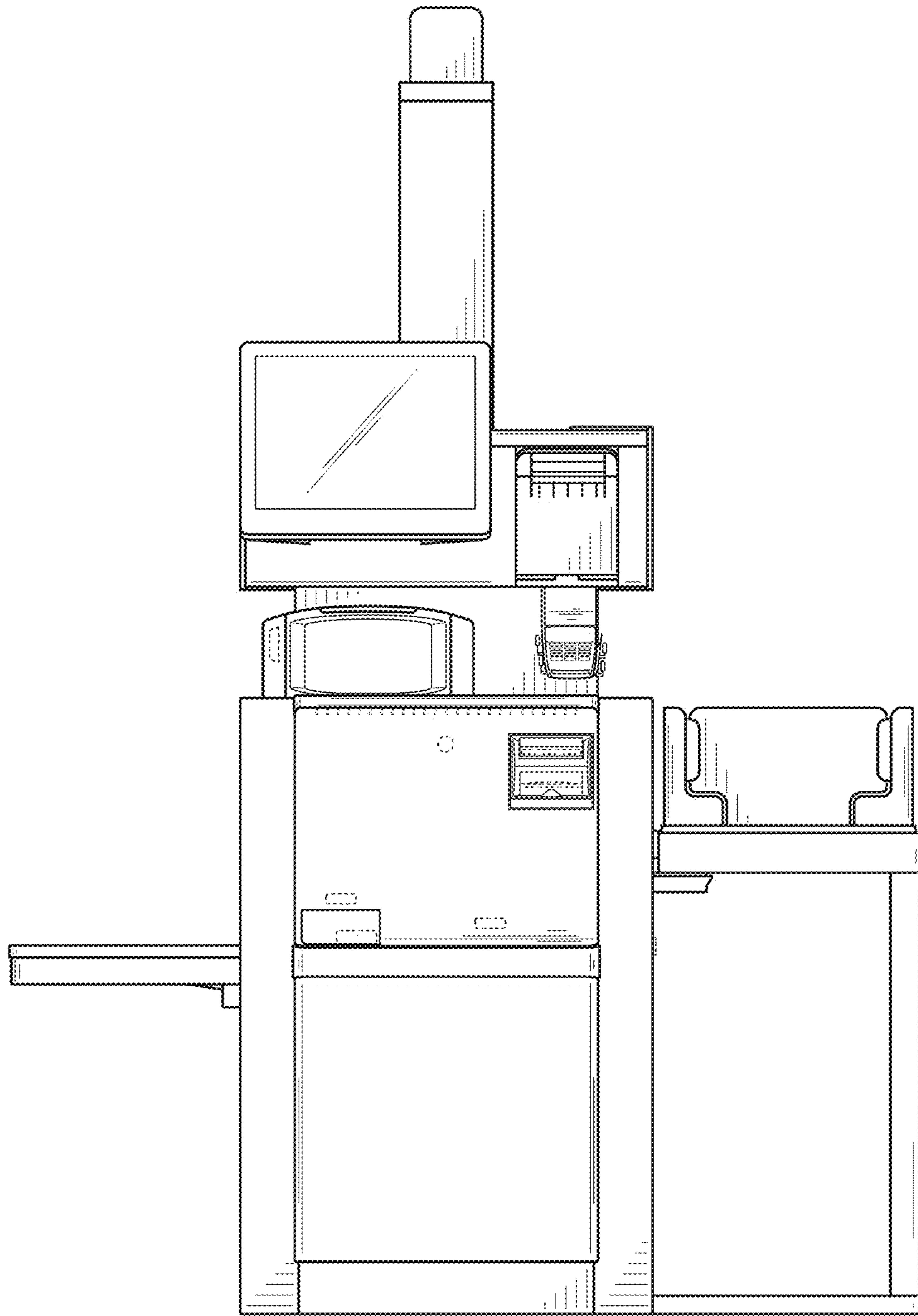


FIG. 2

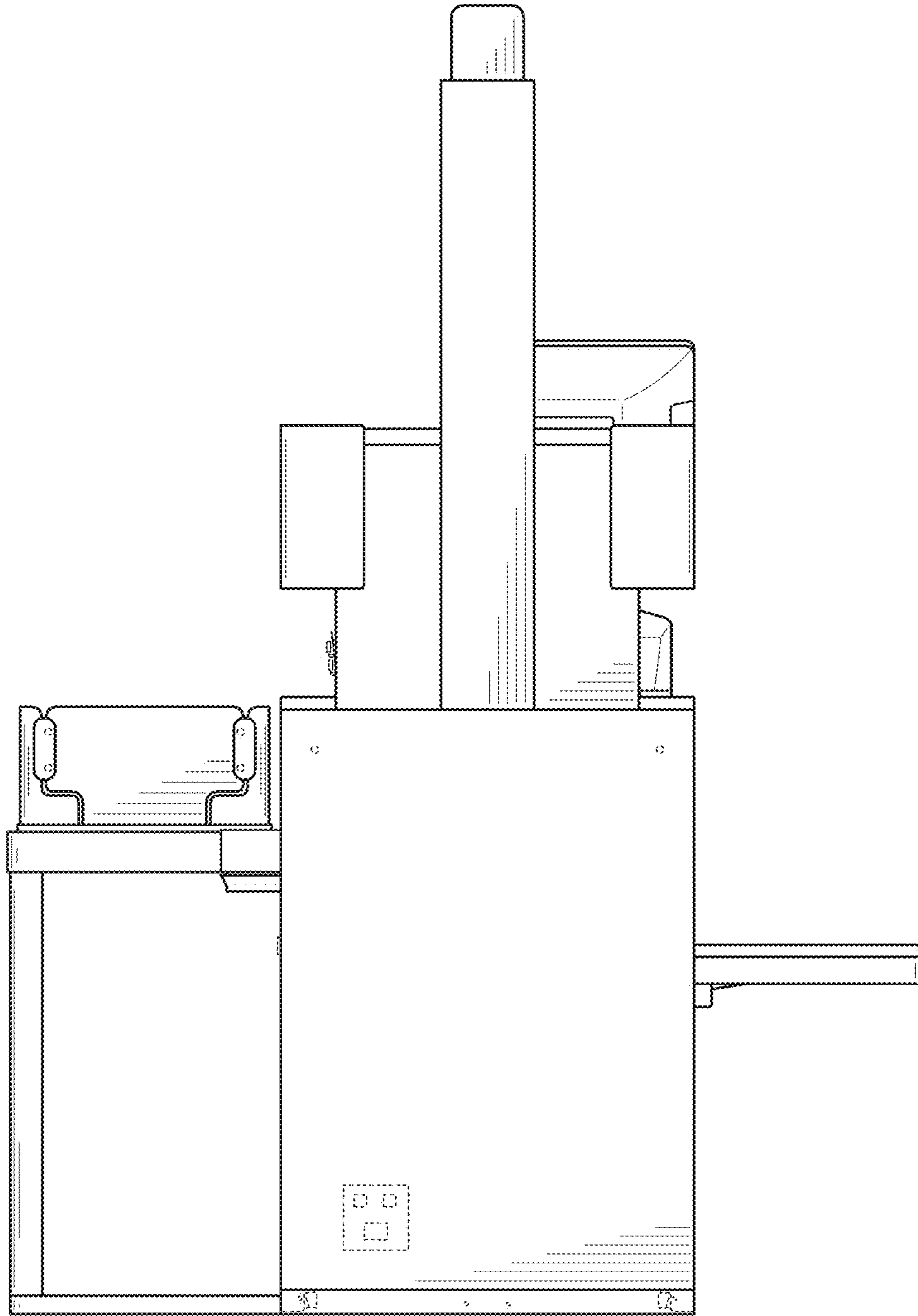


FIG. 3

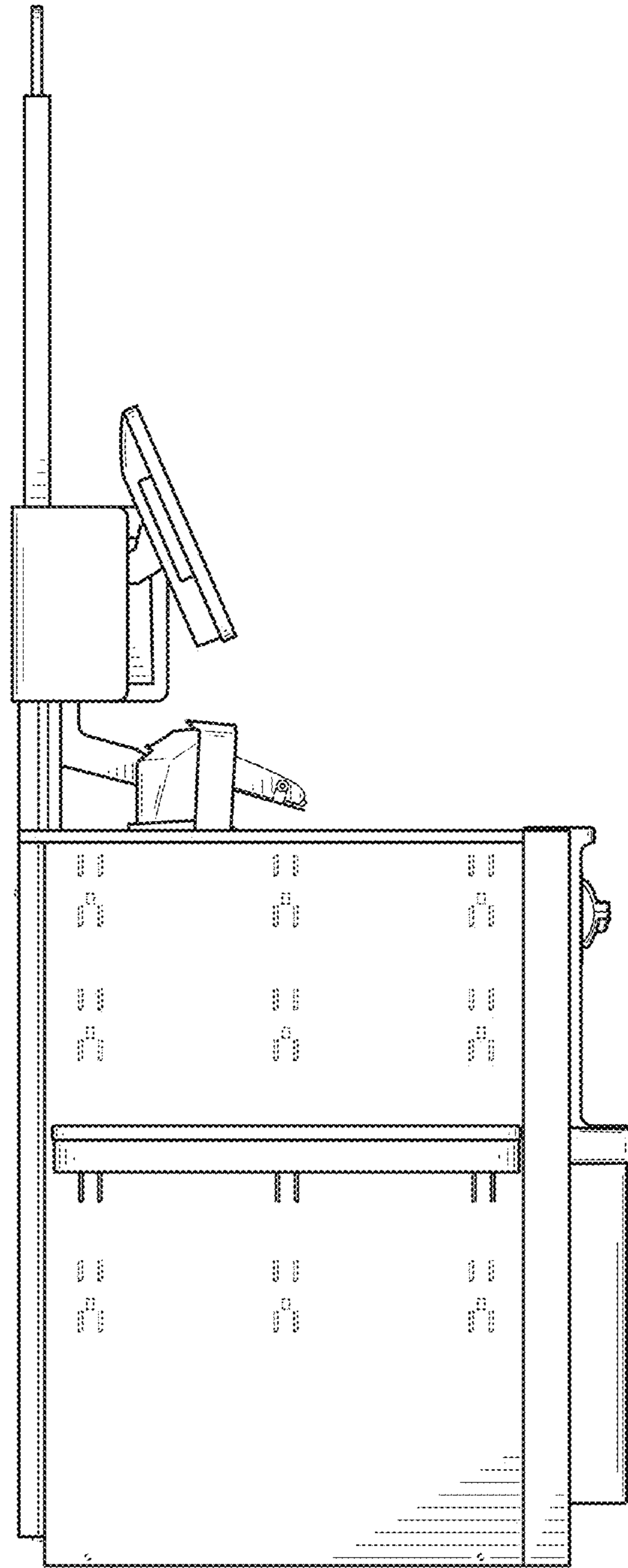


FIG. 4

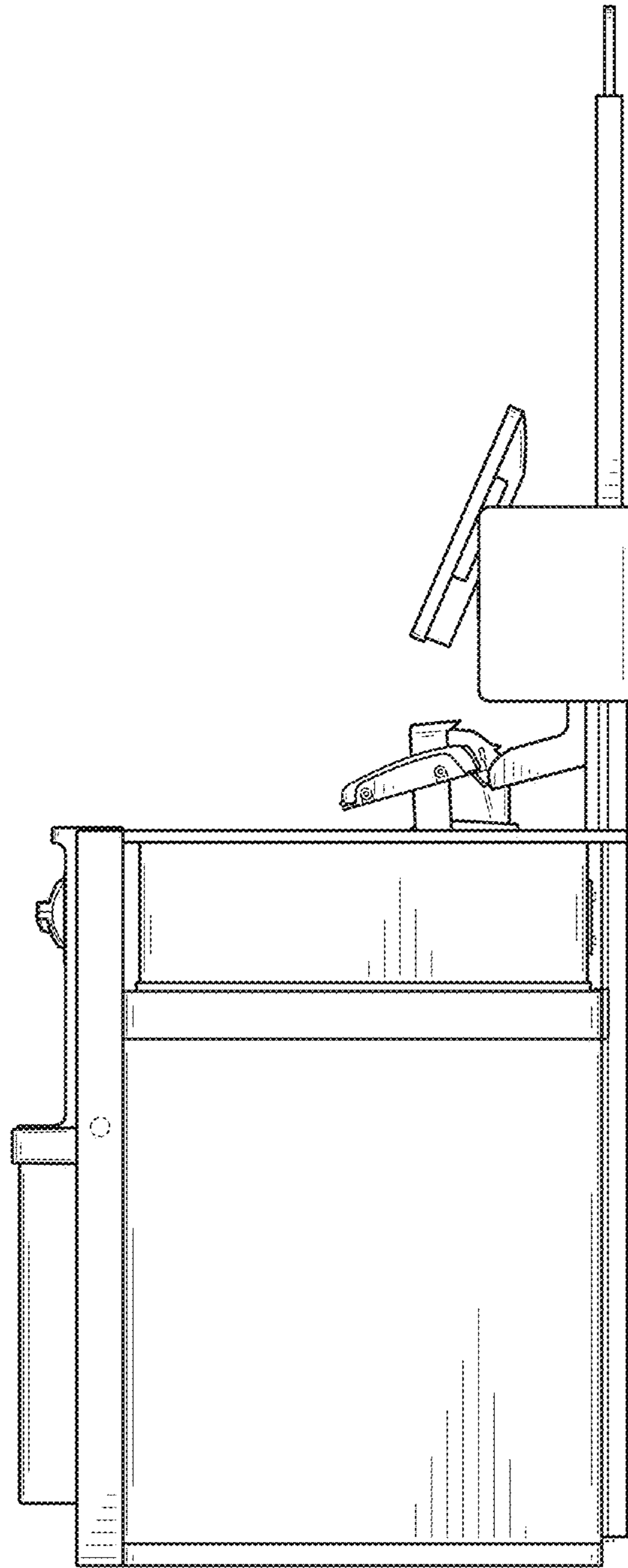


FIG. 5

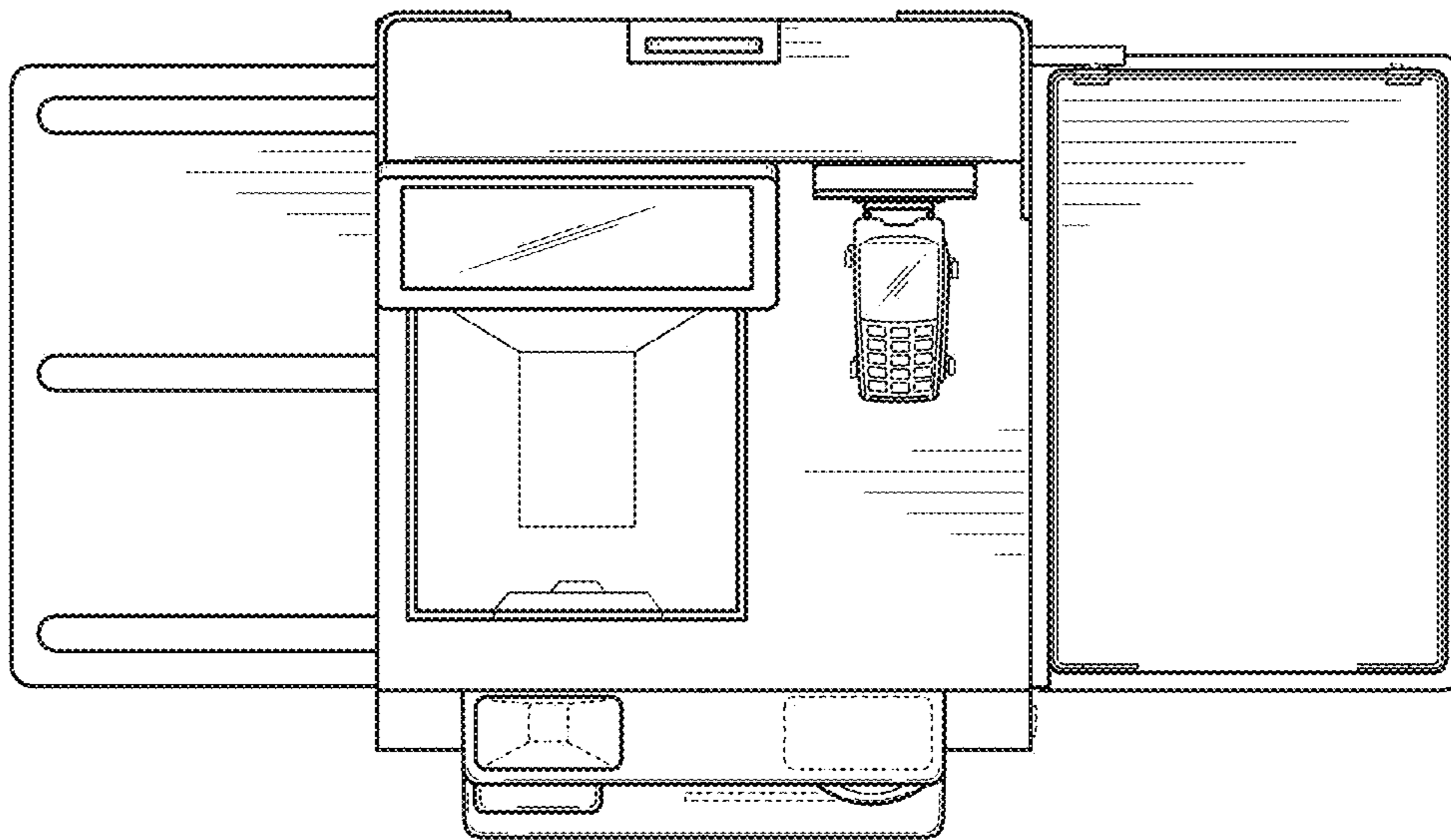


FIG. 6



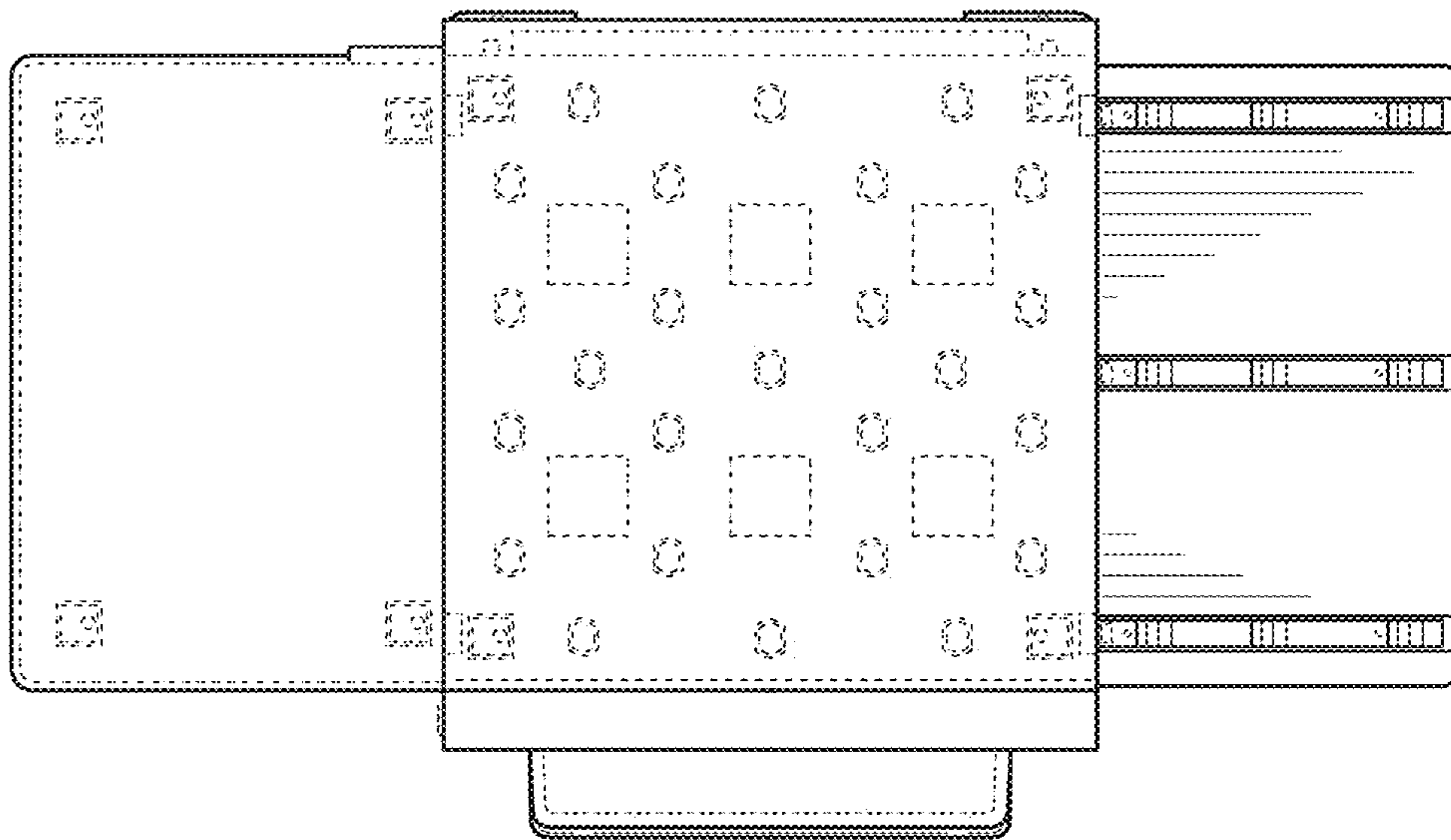


FIG. 7

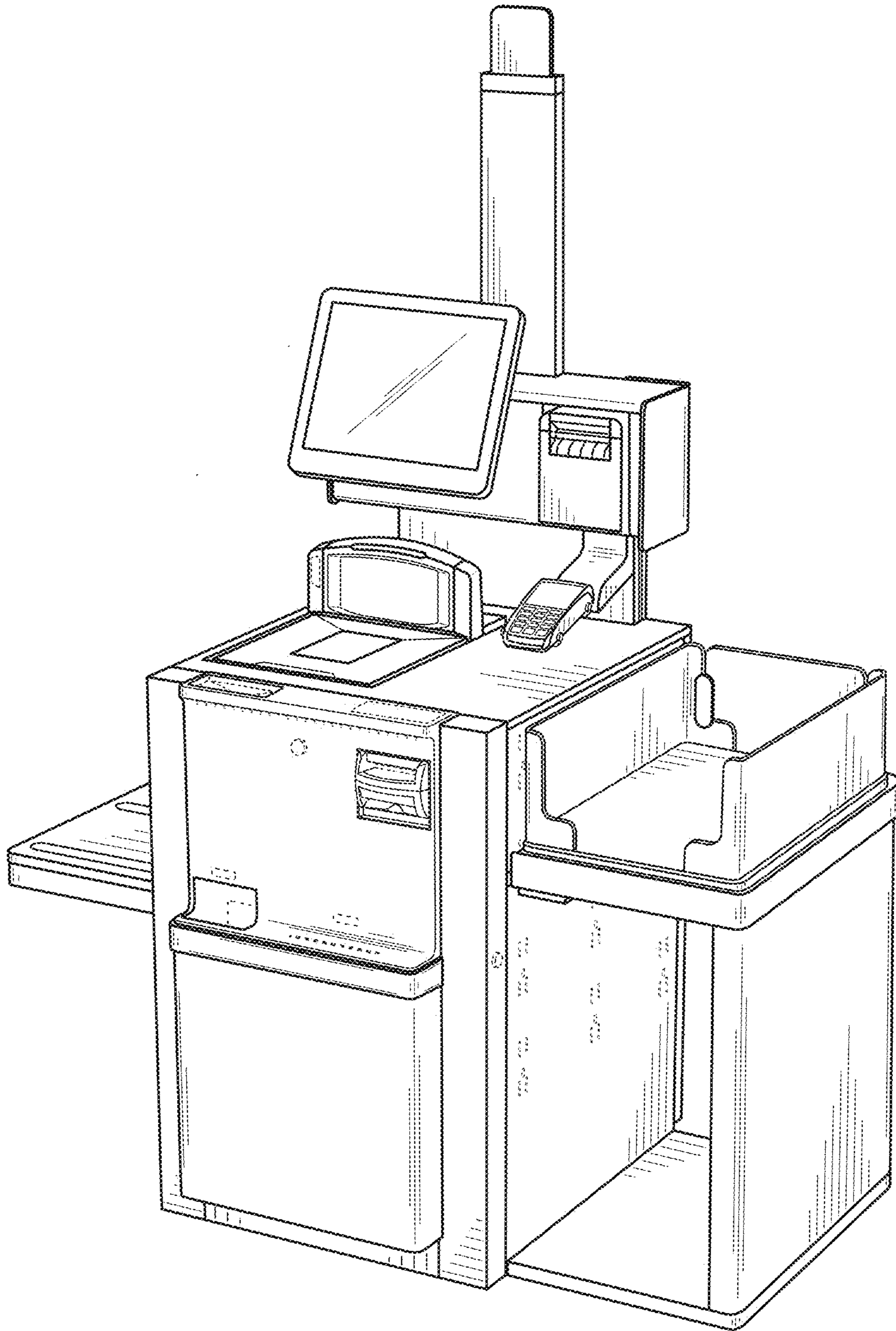


FIG. 8