



US00D981392S

(12) **United States Design Patent**
Khoeun

(10) **Patent No.:** **US D981,392 S**

(45) **Date of Patent:** **** Mar. 21, 2023**

(54) **AUTO STEREO MOUNTING DEVICE**

(71) Applicant: **Metra Electronics Corporation**, Holly Hill, FL (US)

(72) Inventor: **Pieckdey Khoehn**, Holly Hill, FL (US)

(**) Term: **15 Years**

(21) Appl. No.: **29/785,769**

(22) Filed: **May 27, 2021**

(51) **LOC (14) Cl.** **14-01**

(52) **U.S. Cl.**

USPC **D14/258**

(58) **Field of Classification Search**

USPC D14/155–159, 160–173, 187–188,
D14/189–198, 203.1–203.8, 204–216,
D14/217–222, 223, 224–229, 239,
D14/251–253, 257–258, 335–337,
D14/371–382, 432, 439–441, 447–452,
D14/457, 492, 496, 498–506;
D6/672–673, 675.1, 682

CPC H04R 1/02; H04R 1/021; H04R 1/025;
H04R 1/026; H04R 1/028; H04R 1/06;
H04R 1/105; H04R 1/323; H04R 1/403;
H04R 1/2803; H04R 1/2834

See application file for complete search history.

(56) **References Cited**

U.S. PATENT DOCUMENTS

| | | | | | |
|------------|---|---------|--------------|-------|---------|
| D540,785 S | * | 4/2007 | Quilling, II | | D14/224 |
| D555,644 S | * | 11/2007 | Quilling, II | | D14/258 |
| D566,701 S | * | 4/2008 | Quilling, II | | D14/258 |
| D639,288 S | * | 6/2011 | Fiore, IV | | D14/258 |
| D639,294 S | * | 6/2011 | Quilling, II | | D14/258 |
| D719,560 S | * | 12/2014 | Fiore, IV | | D14/258 |
| D766,231 S | * | 9/2016 | Indrunas | | D14/258 |
| D788,763 S | * | 6/2017 | Fiore, IV | | D14/258 |
| D789,349 S | * | 6/2017 | Quilling | | D14/258 |
| D805,508 S | * | 12/2017 | Wellard | | D14/258 |
| D826,919 S | * | 8/2018 | Khoeun | | D14/258 |
| D826,920 S | * | 8/2018 | Wellard | | D14/258 |

| | | | | | |
|------------|---|---------|--------------|-------|---------|
| D879,093 S | * | 3/2020 | Khoeun | | D14/258 |
| D898,732 S | * | 10/2020 | Quilling, II | | D14/258 |
| D904,392 S | * | 12/2020 | Khoeun | | D14/258 |
| D905,043 S | * | 12/2020 | Khoeun | | D14/258 |
| D905,047 S | * | 12/2020 | Wellard | | D14/258 |

(Continued)

FOREIGN PATENT DOCUMENTS

CN 301659384 * 8/2011

OTHER PUBLICATIONS

5Pcs/Set Car Stereo Radio, date not available, [retrieved Aug. 24, 2022], Retrieved from Internet, URL: <<https://www.aliexpress.com/item/3256802414315700.html?gatewayAdapt=4itemAdapt>> (Year: 2022).*

(Continued)

Primary Examiner — Messina L Smith

Assistant Examiner — Aram Kwon

(74) *Attorney, Agent, or Firm* — J. Wiley Horton

(57) **CLAIM**

The ornamental design for an auto stereo mounting device, as shown and described.

DESCRIPTION

FIG. 1 is a perspective view of an auto stereo mounting device, showing my design;

FIG. 2 is a rear perspective view of FIG. 1;

FIG. 3 is a front elevation view of FIG. 1;

FIG. 4 is a rear elevation view of FIG. 1;

FIG. 5 is a left side elevation view of FIG. 1;

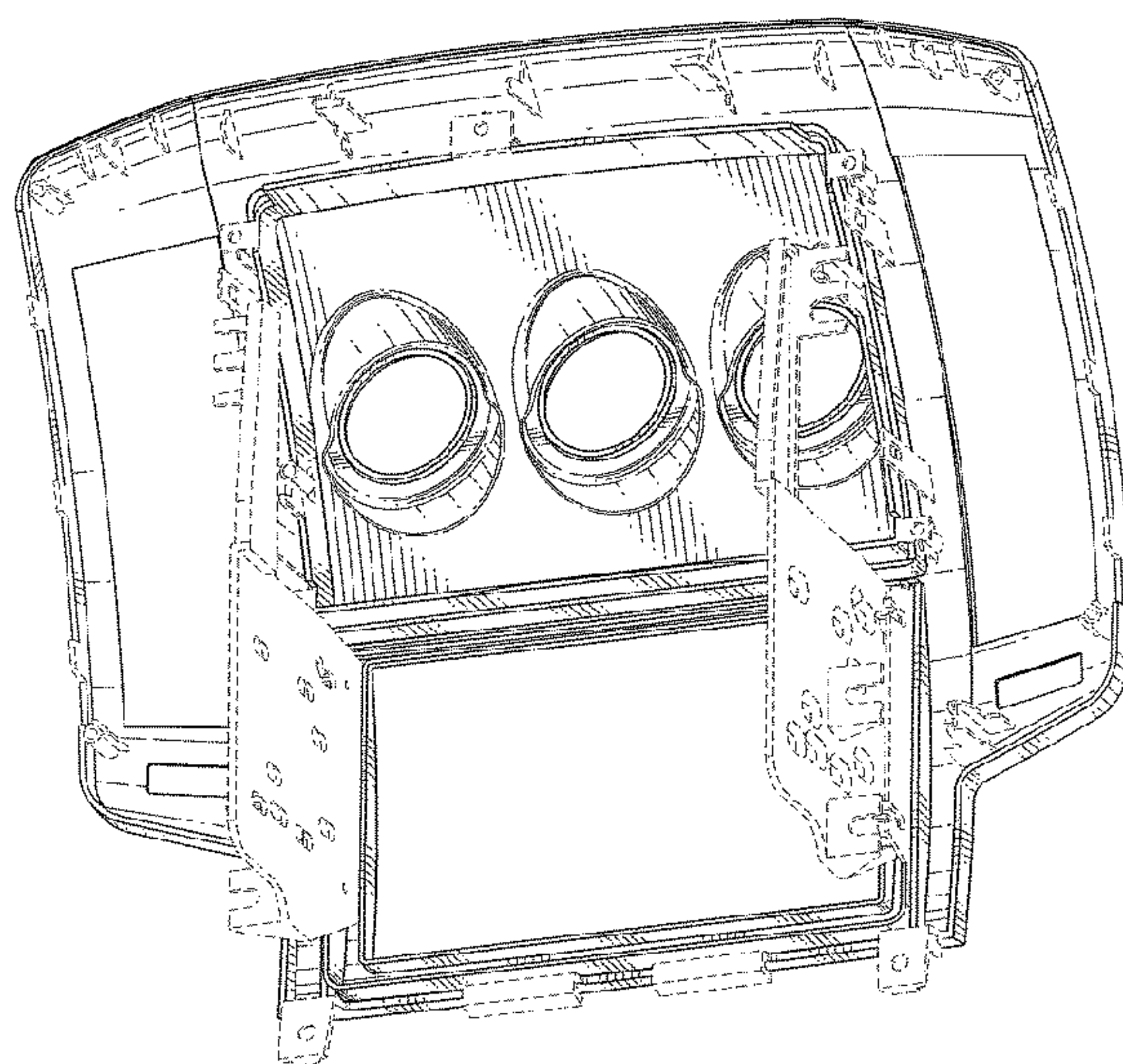
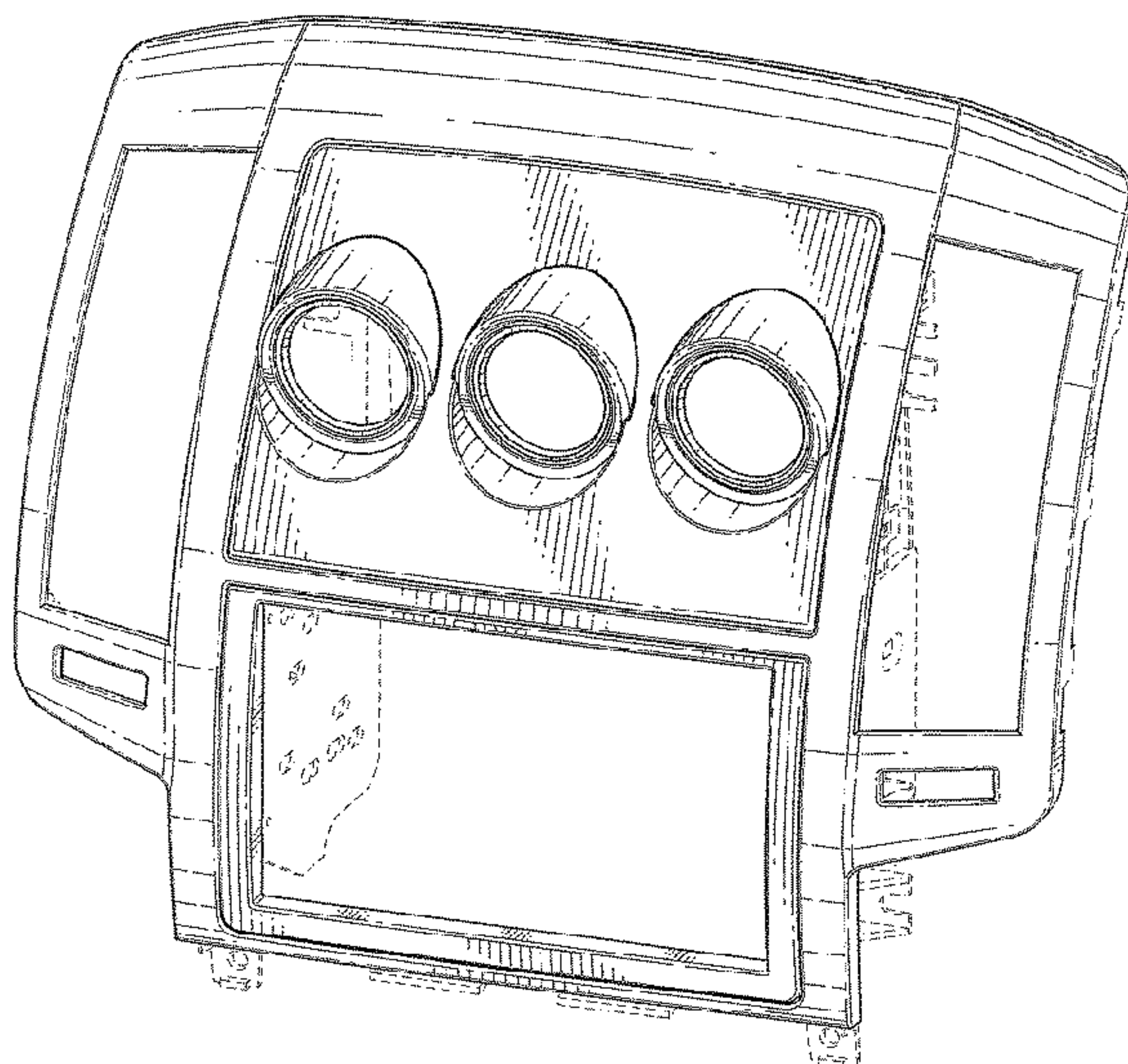
FIG. 6 is a right side elevation view of FIG. 1;

FIG. 7 is a top plan view of FIG. 1; and,

FIG. 8 is a bottom plan view of FIG. 1.

The broken lines shown in all views illustrate portions of the auto stereo mounting device that form no part of the claimed design.

1 Claim, 8 Drawing Sheets



(56)

References Cited

U.S. PATENT DOCUMENTS

D912,037 S * 3/2021 Fiore, IV D14/258
D913,274 S * 3/2021 Khoeun D14/258
D913,275 S * 3/2021 Khoeun D14/258

OTHER PUBLICATIONS

Metra 99-7506 Single DIN/Double DIN Installation Kit, date first available: Oct. 28, 2006, [retrieved Aug. 24, 2022], Retrieved from Internet, URL: <<https://www.amazon.com/Metra-99-7506-Installation-2006-2008-Vehicles/dp/B000K4V56Y>> (Year: 2006).*

Metra 99-7524B Mazda 6 Double, date first available: Dec. 7, 2013, [retrieved Aug. 24, 2022], Retrieved from Internet, URL: <<https://www.amazon.com/Metra-99-7524B-Double-Install-2006-08/dp/B00DUF8TE8?th=1>> (Year: 2013).*

Metra 99-7523S Dash, review date: Oct. 28, 2016, [retrieved Aug. 24, 2022], Retrieved from Internet, URL: <https://www.crutchfield.com/S-280m8skOQZy/p_120997523S/Metra-99-7523S-Dash-and-Wiring-Kit-Silver.html> (Year: 2016).*

* cited by examiner

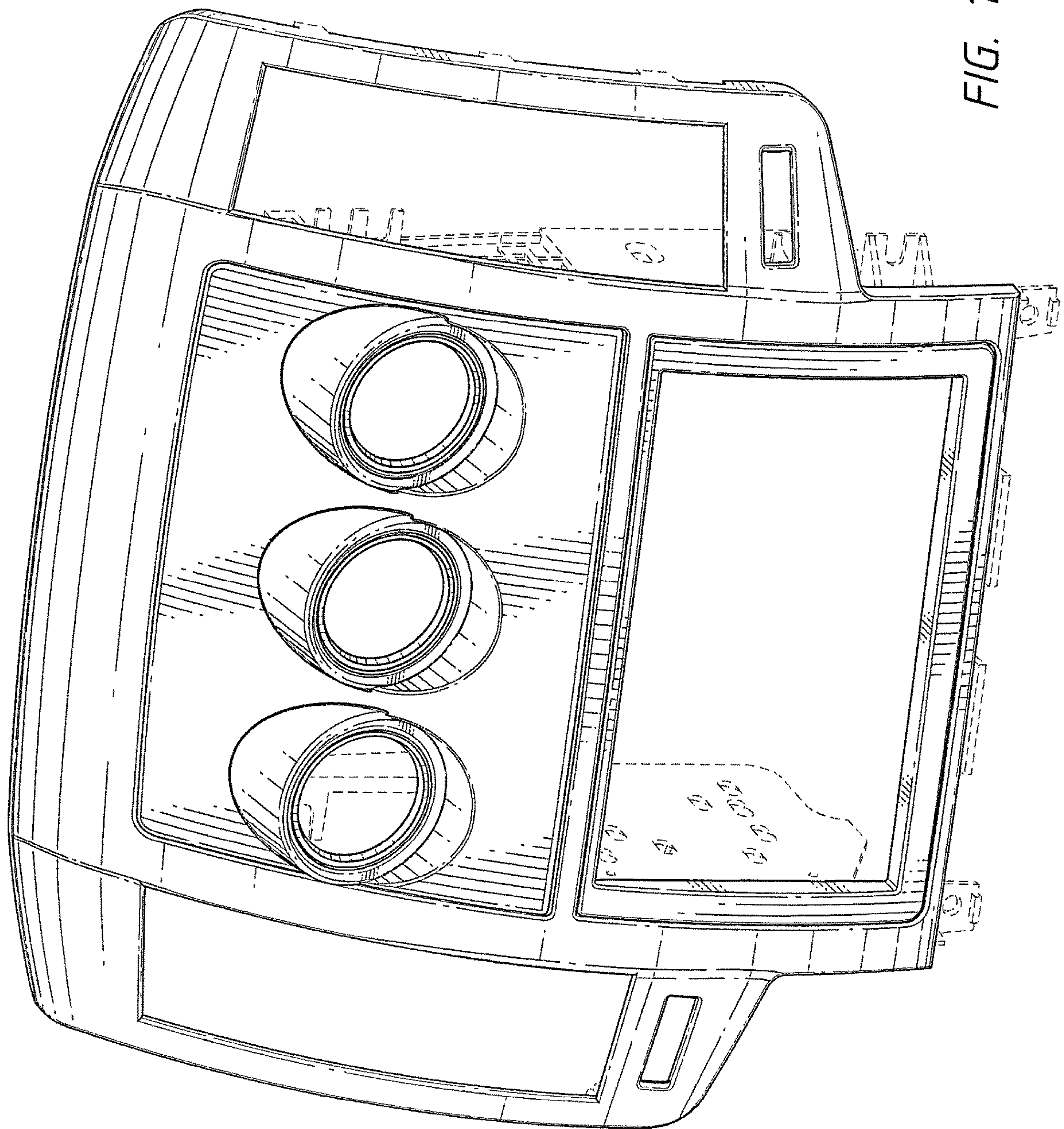


FIG. 1

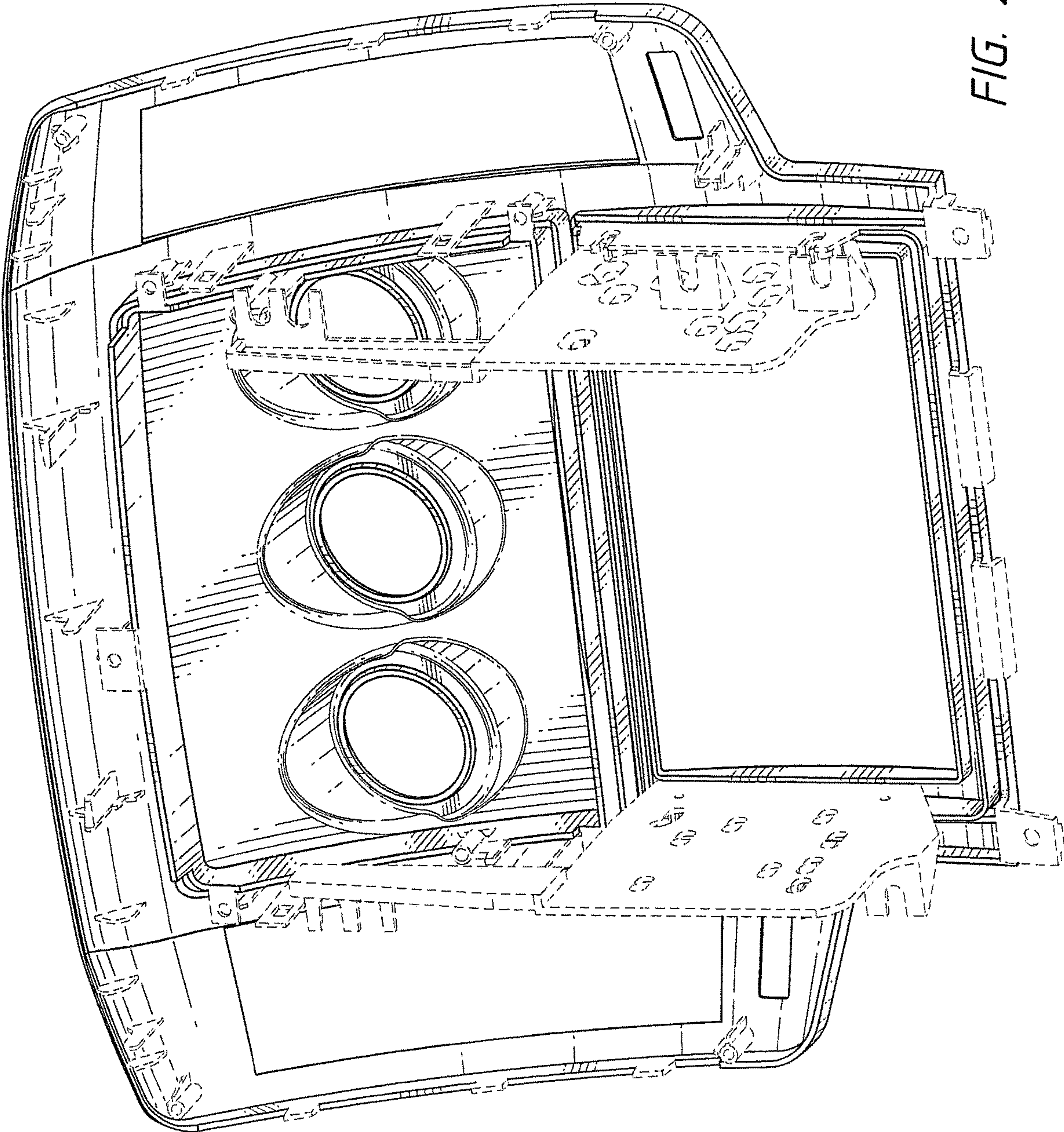


FIG. 2

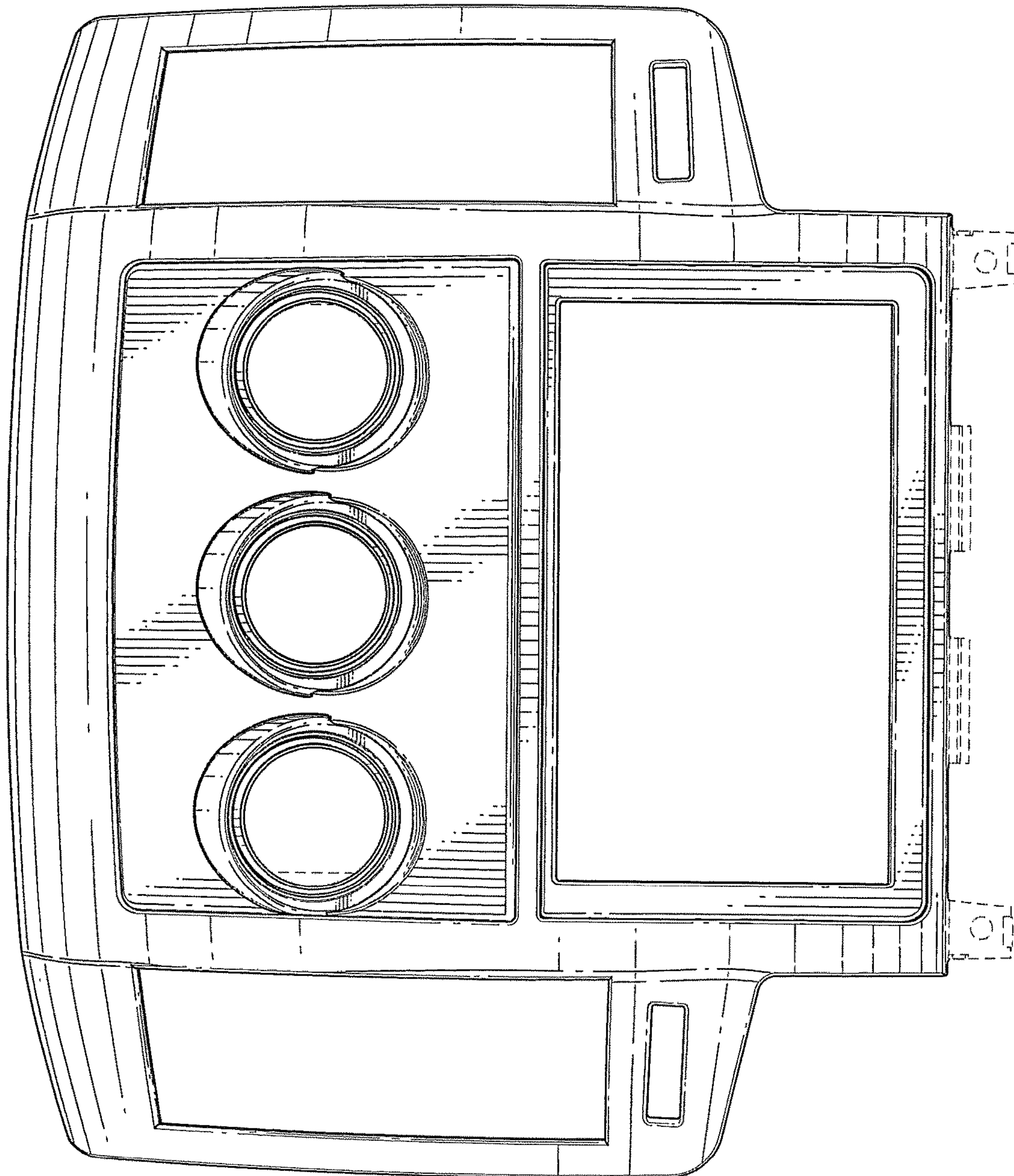


FIG. 3

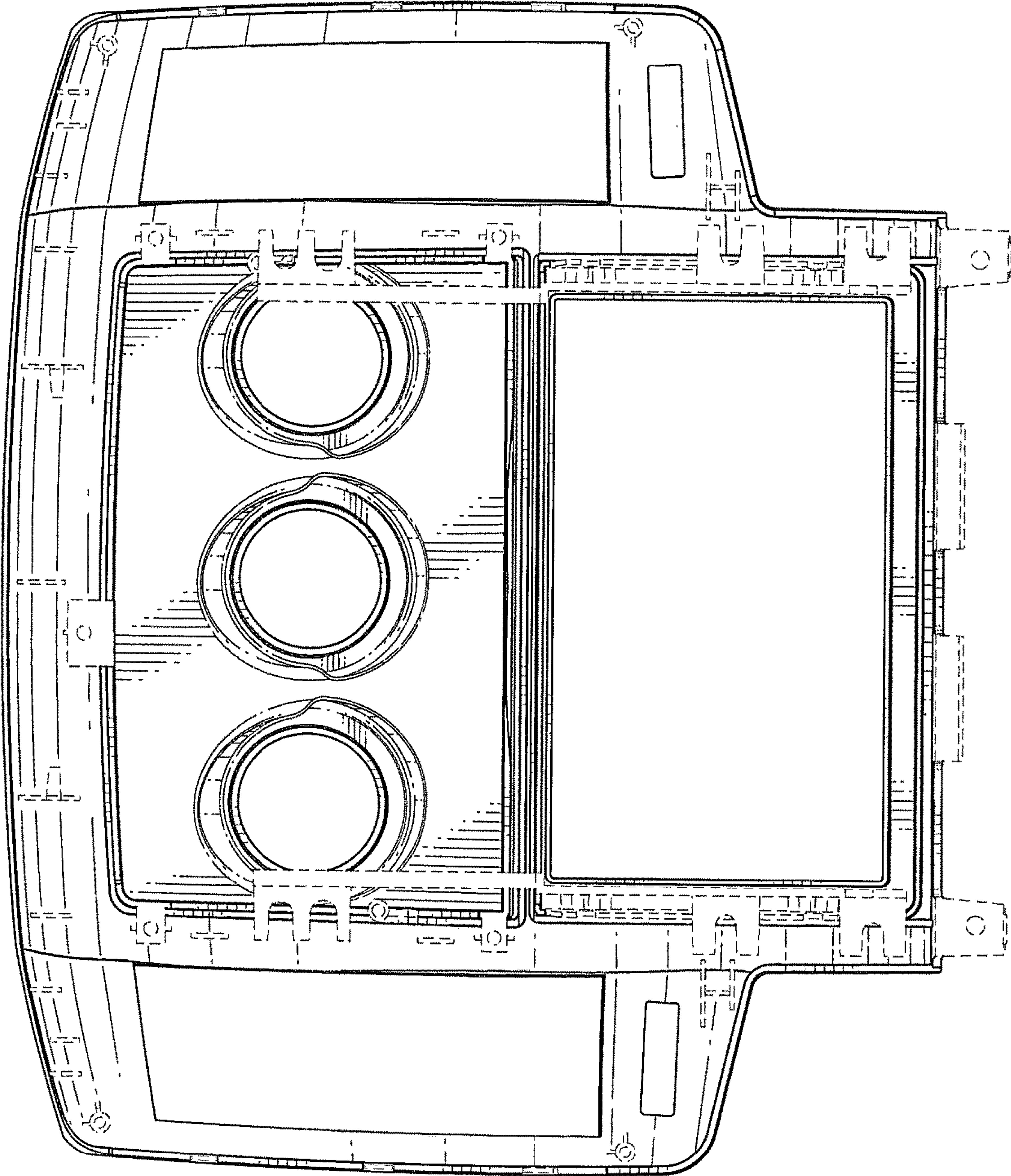


FIG. 4

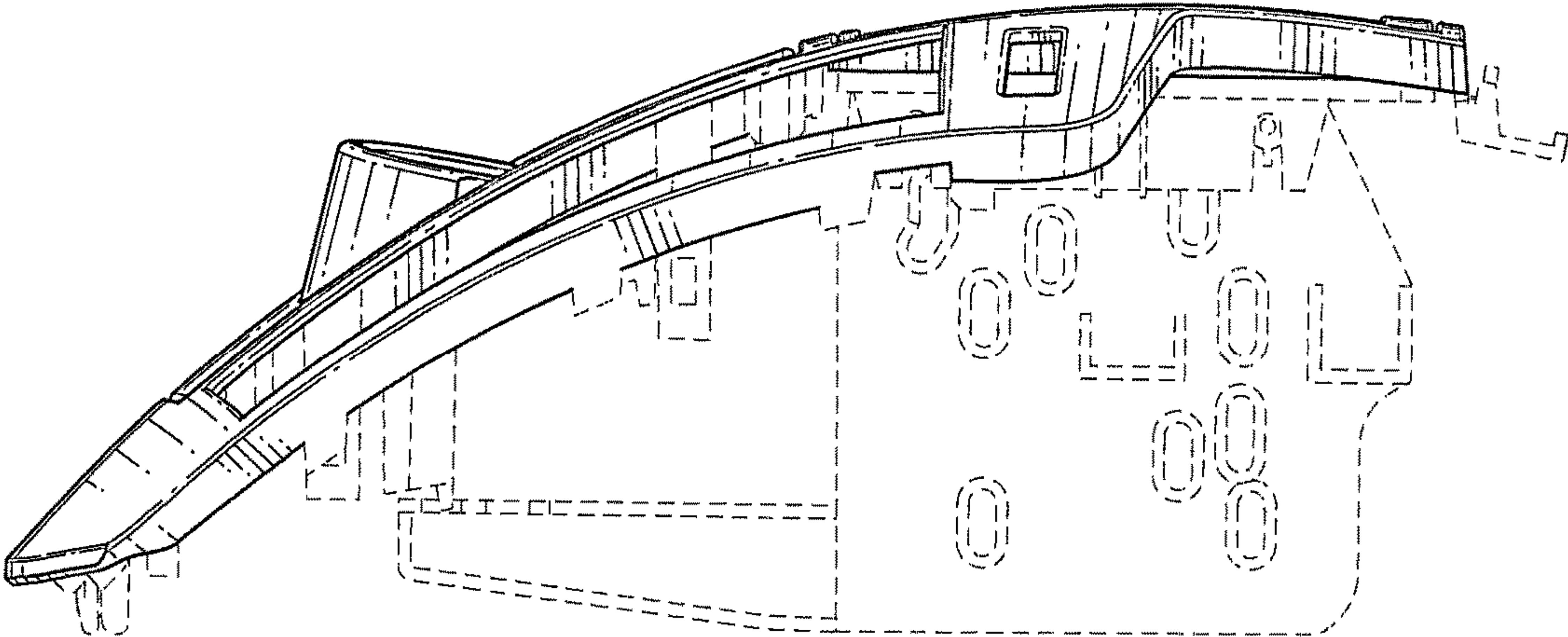


FIG. 5

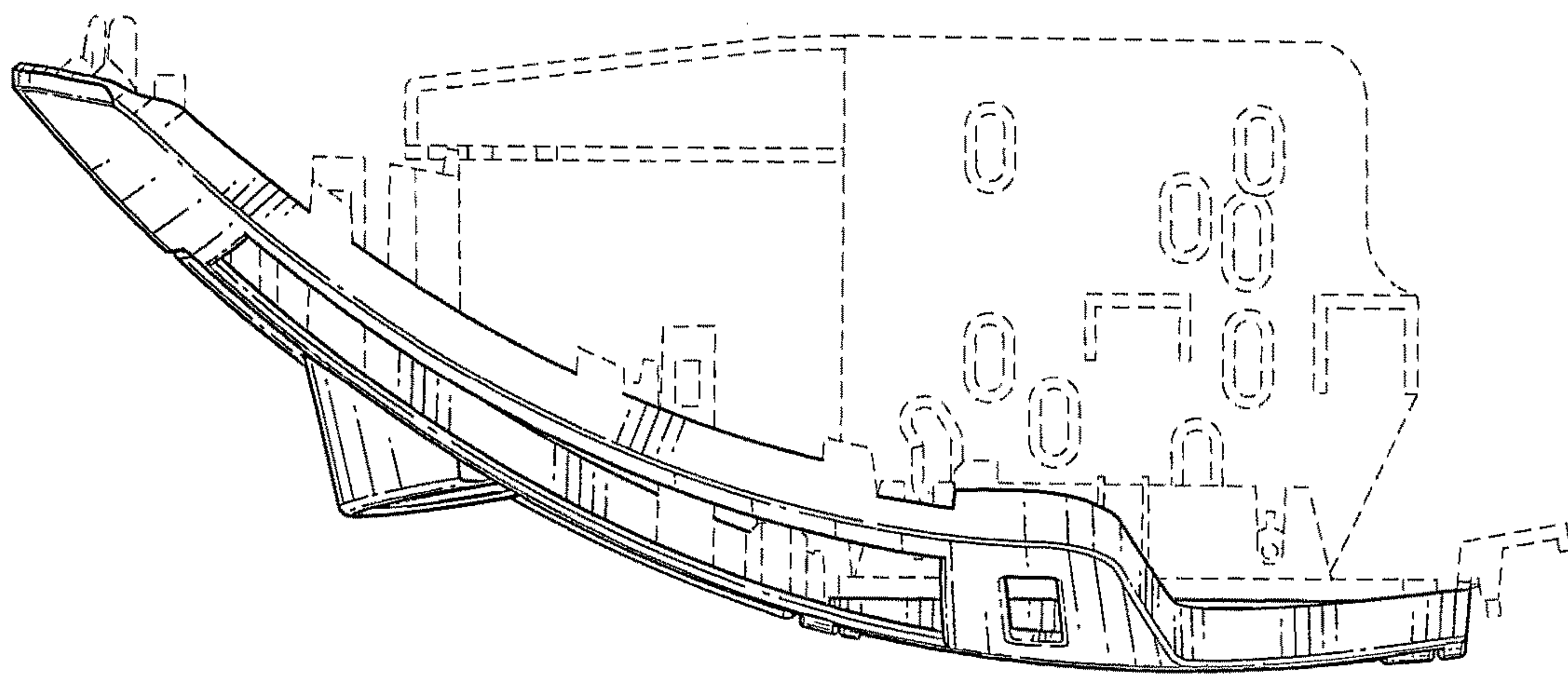


FIG. 6

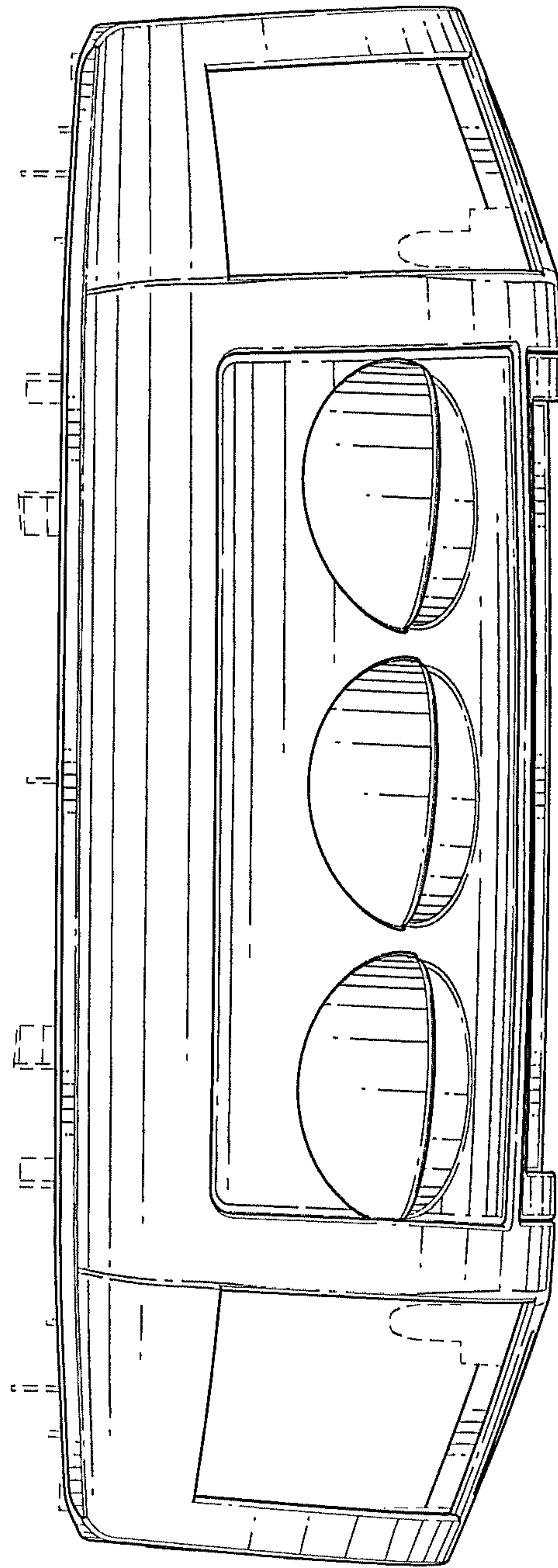


FIG. 7

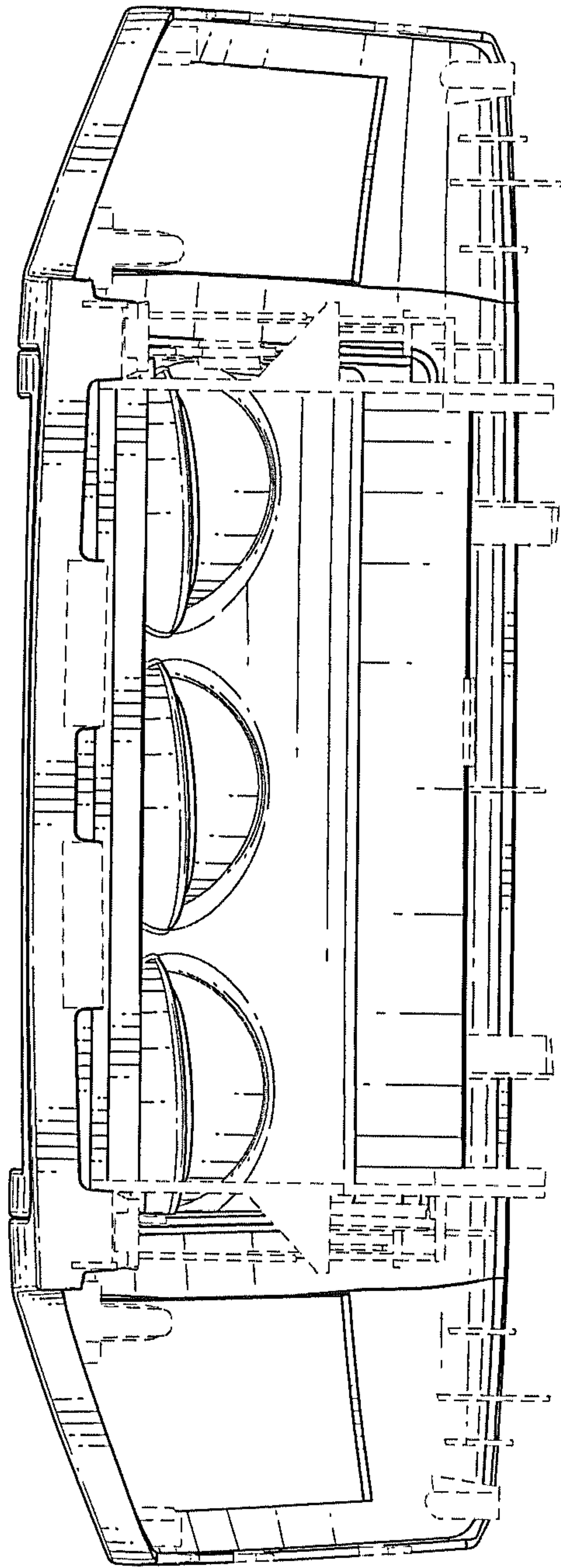


FIG. 8