



US00D981390S

(12) **United States Design Patent** (10) **Patent No.:** **US D981,390 S**
Wu (45) **Date of Patent:** **** Mar. 21, 2023**

(54) **MOBILE PHONE HOLDER**
(71) Applicant: **SHENZHEN GEDUO NETWORK TECHNOLOGY CO., LTD.**, Shenzhen (CN)
(72) Inventor: **Huan Wu**, Wuxue (CN)
(73) Assignee: **SHENZHEN GEDUO NETWORK TECHNOLOGY CO., LTD.**, Shenzhen (CN)

D832,858 S * 11/2018 Wengreen D14/447
D845,310 S * 4/2019 Wengreen D14/447
D845,959 S * 4/2019 Wengreen D14/447
D870,095 S 12/2019 Hu
D877,137 S * 3/2020 Engerman D14/253
D889,454 S 7/2020 Liu
D905,067 S * 12/2020 Wengreen D14/447
D905,068 S * 12/2020 Wengreen D14/447
D905,069 S * 12/2020 Wengreen D14/447
D914,690 S * 3/2021 Wengreen D14/447
D914,691 S * 3/2021 Wengreen D14/447
D918,010 S * 5/2021 Lynn D8/331
D927,500 S * 8/2021 Wengreen D14/447

(Continued)

(**) Term: **15 Years**

(21) Appl. No.: **29/823,592**
(22) Filed: **Jan. 18, 2022**
(51) **LOC (14) Cl.** **14-03**
(52) **U.S. Cl.**
USPC **D14/253**
(58) **Field of Classification Search**
USPC D14/217, 248, 250, 251, 252, 253, 432,
D14/434, 440, 447, 457; D12/114, 223,
D12/400, 407, 415, 425
CPC H04M 1/06; H04M 1/04; B60R 11/0241
See application file for complete search history.

OTHER PUBLICATIONS

Amazon.com_ Zoyomax Wall Mount Phone Holder, first available Dec. 2, 2021 [online], retrieved Aug. 26, 2022, available at URL: <https://a.co/d/6gF37mB> (Year: 2021).*

(Continued)

Primary Examiner — Wendy L Arminio
Assistant Examiner — Carrie S Gelula
(74) *Attorney, Agent, or Firm* — Jeenam Park

(57) **CLAIM**

The ornamental design for a mobile phone holder, as shown and described.

(56) **References Cited**

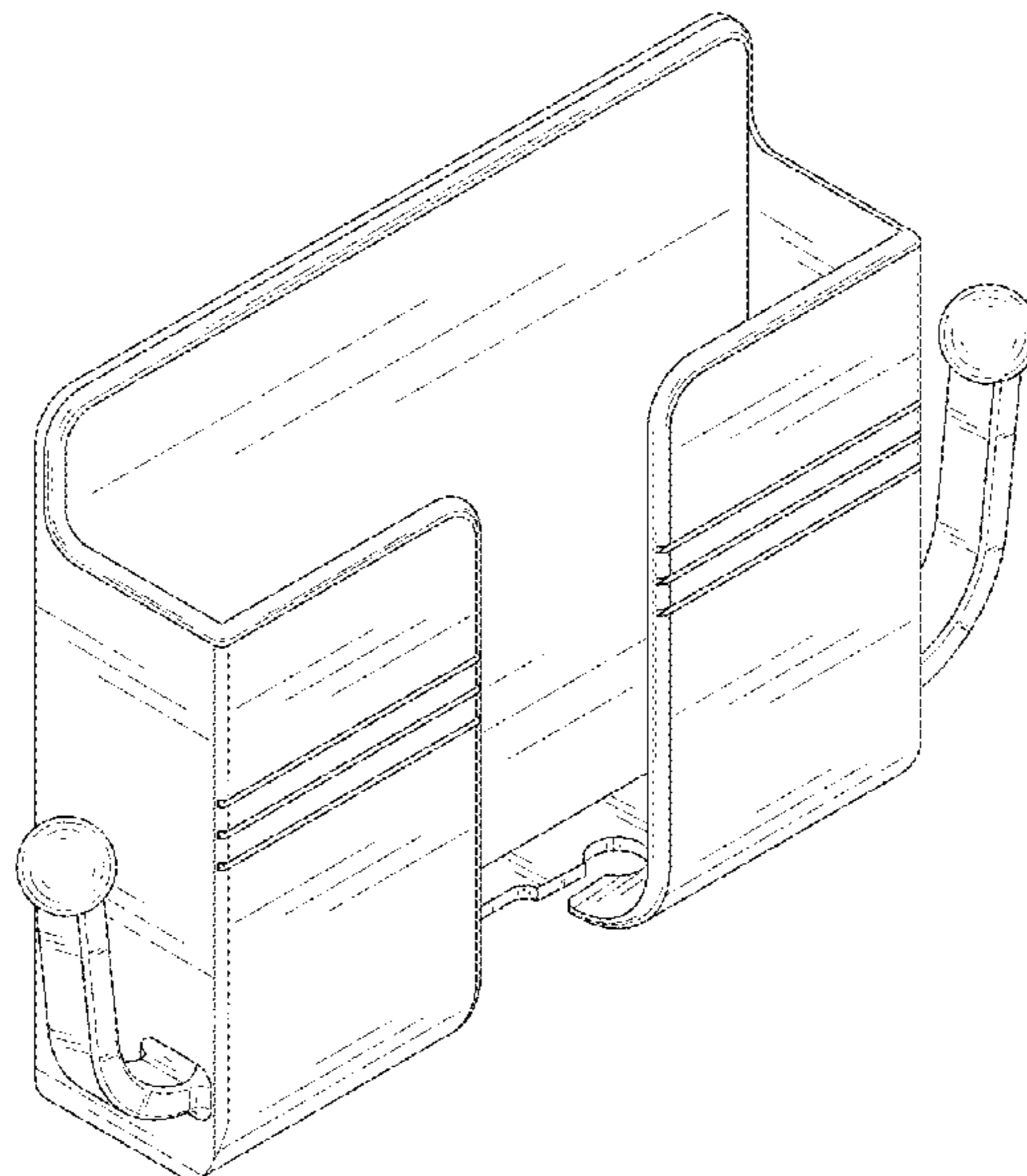
U.S. PATENT DOCUMENTS

D734,305 S * 7/2015 Wengreen D14/238.1
D749,549 S * 2/2016 Wengreen D14/238.1
D749,597 S * 2/2016 Wengreen D14/447
D763,835 S * 8/2016 Wengreen D6/567
D765,063 S * 8/2016 Wengreen D6/567
D765,064 S * 8/2016 Wengreen D6/567
D777,167 S * 1/2017 Wengreen D14/447
D798,306 S * 9/2017 Wengreen D14/447
D802,303 S * 11/2017 Eure, Jr. D3/303
D803,208 S 11/2017 Cai
D823,846 S 7/2018 Chen
D824,399 S * 7/2018 Wengreen D14/447

DESCRIPTION

FIG. 1 is a perspective view of a mobile phone holder, showing my new design;
FIG. 2 is another perspective view thereof;
FIG. 3 is a front view thereof;
FIG. 4 is a rear view thereof;
FIG. 5 is a left side view thereof;
FIG. 6 is a right side view thereof;
FIG. 7 is a top plan view thereof; and,
FIG. 8 is a bottom plan view thereof.

1 Claim, 8 Drawing Sheets



(56)

References Cited

U.S. PATENT DOCUMENTS

D933,951 S * 10/2021 Cardentey D14/253

OTHER PUBLICATIONS

Amazon.com_ MichPong Wall Mount Phone Holder, first available Sep. 7, 2021 [online], retrieved Aug. 26, 2022, available at URL: <https://a.co/d/9IKXWfH> (Year: 2021).*

Amazon.com_ Jetec Wall Mount Phone Holder, first available Jul. 15, 2021 [online], retrieved Aug. 26, 2022, available at URL: <https://a.co/d/4uonj3L> (Year: 2021).*

Amazon.com_ Mojoker Wall Phone Holder, first available Sep. 18, 2021 [online], retrieved Aug. 26, 2022, available at URL: <https://a.co/d/fPN6CIL> (Year: 2021).*

Amazon.com_ Aiate Wall Mount Phone Holder, first available Nov. 17, 2021 [online], retrieved Aug. 26, 2022, available at URL: <https://a.co/d/4lu8cVn> (Year: 2021).*

Amazon.com_ WXJ13 Wall Mount Phone Holder, first available Dec. 13, 2021 [online], retrieved Aug. 26, 2022, available at URL: <https://a.co/d/fQZHJPP> (Year: 2021).*

Amazon.com_ FES Wall Mount Phone Holder, first available Jan. 2, 2022 [online], retrieved Aug. 26, 2022, available at URL: <https://a.co/d/jaq0niJ> (Year: 2022).*

* cited by examiner

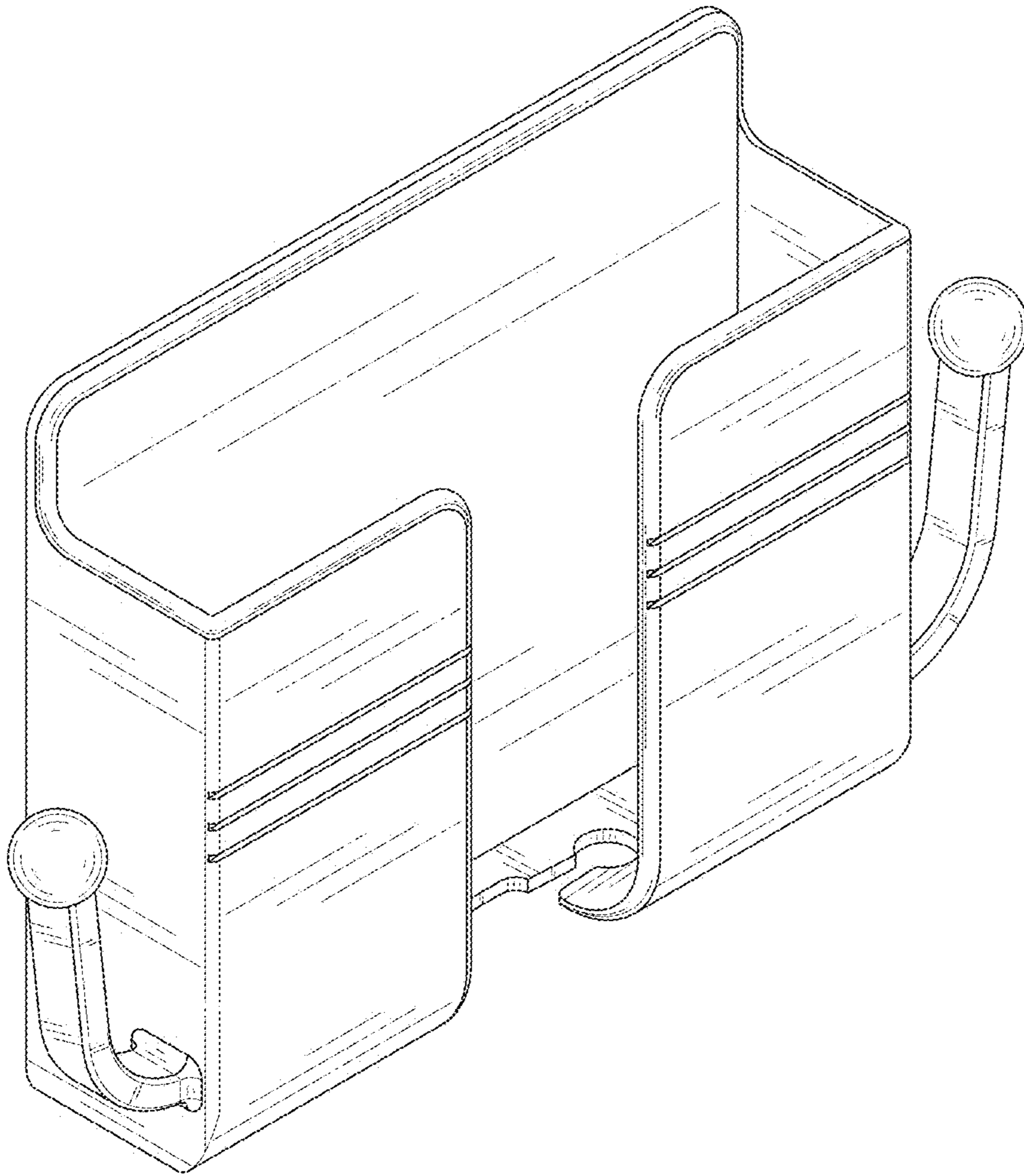


FIG. 1

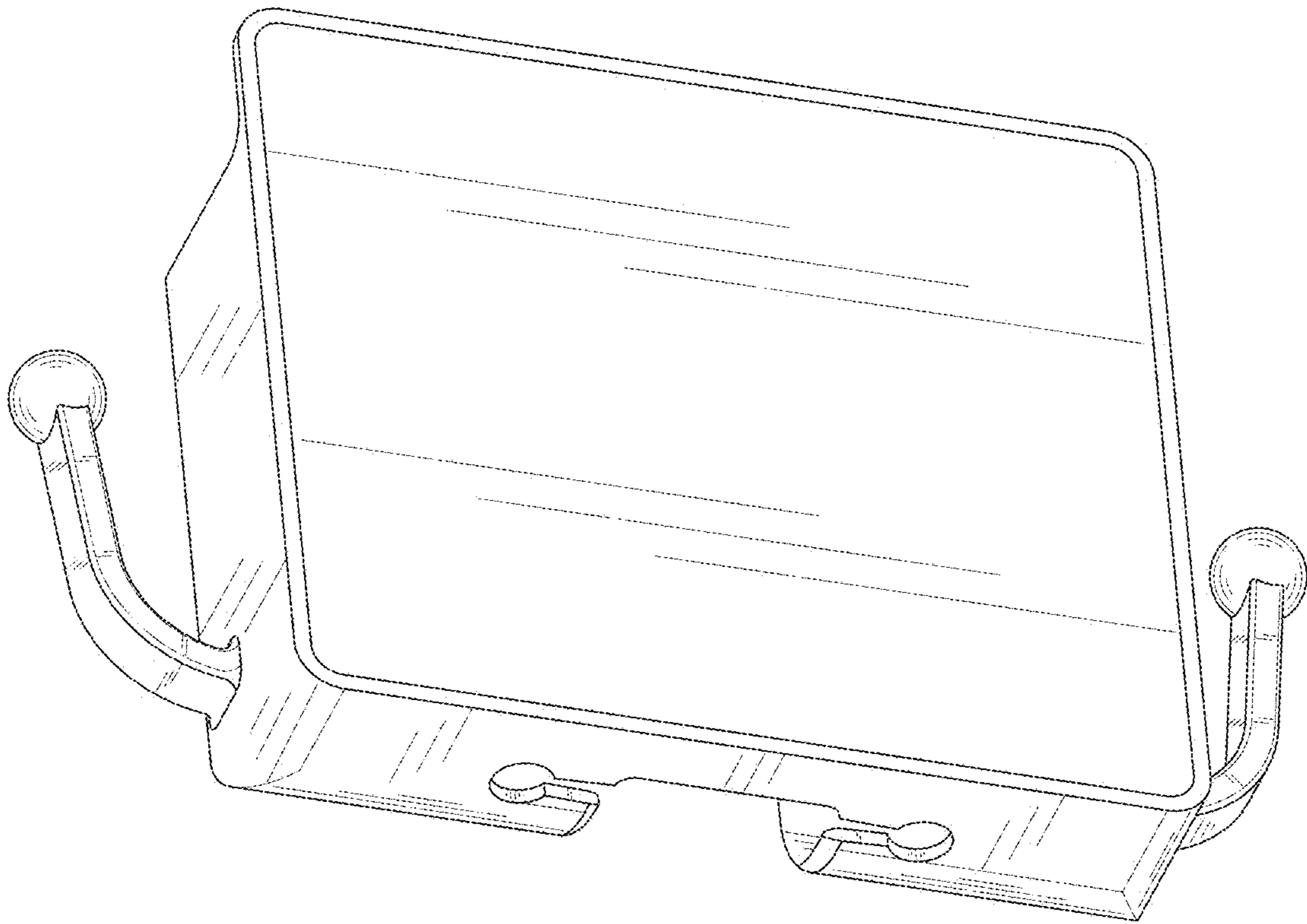


FIG. 2

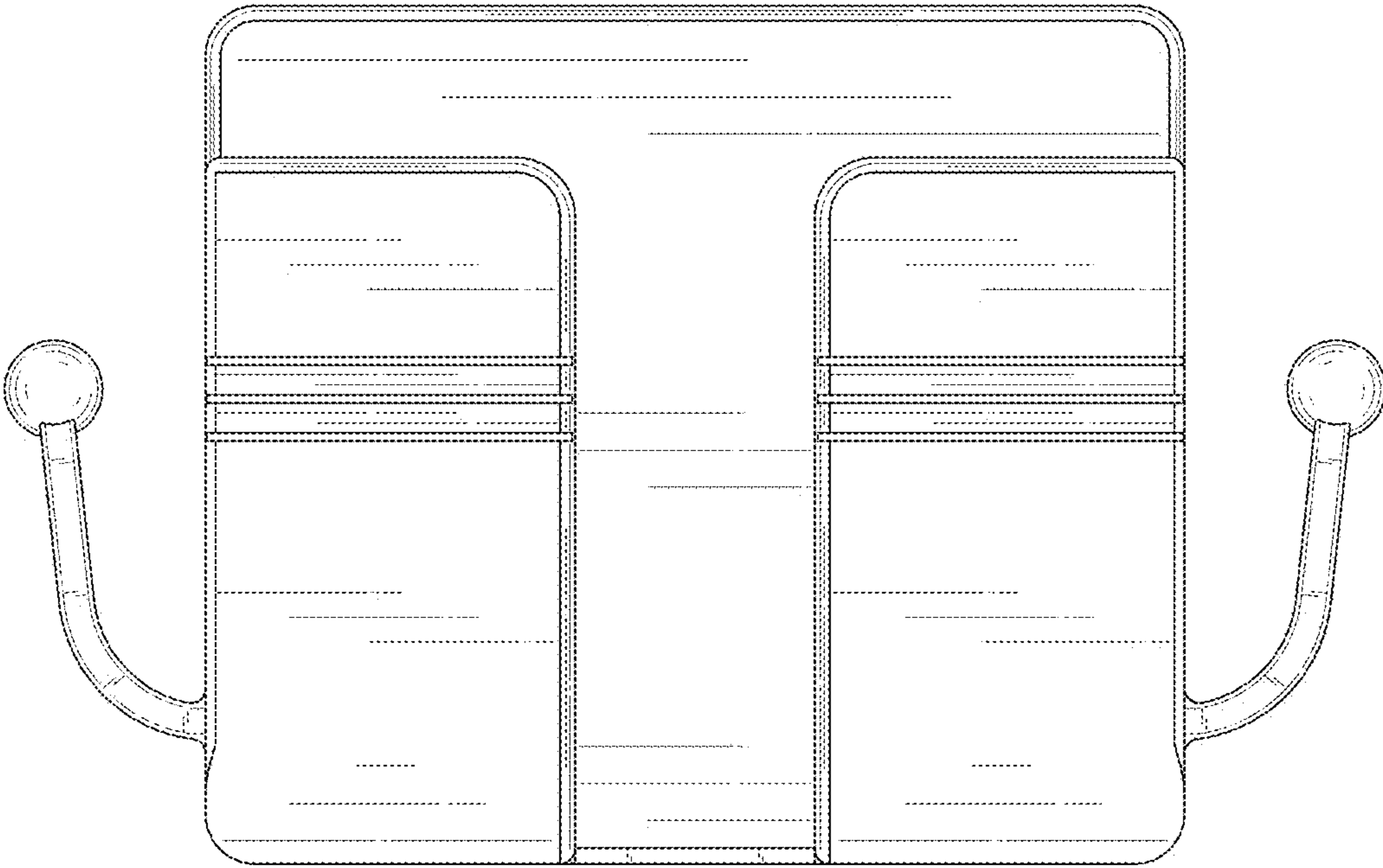


FIG. 3

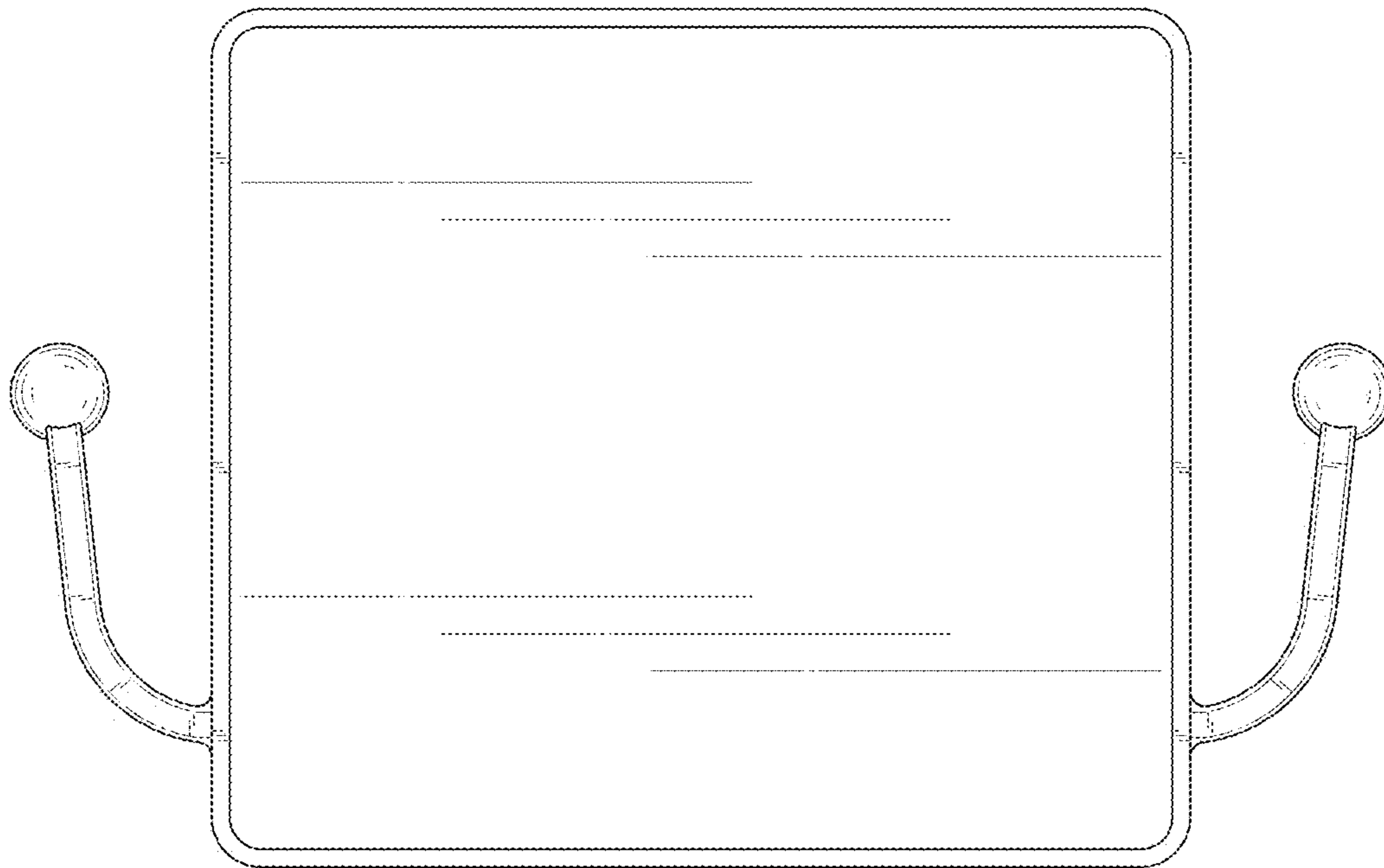


FIG. 4

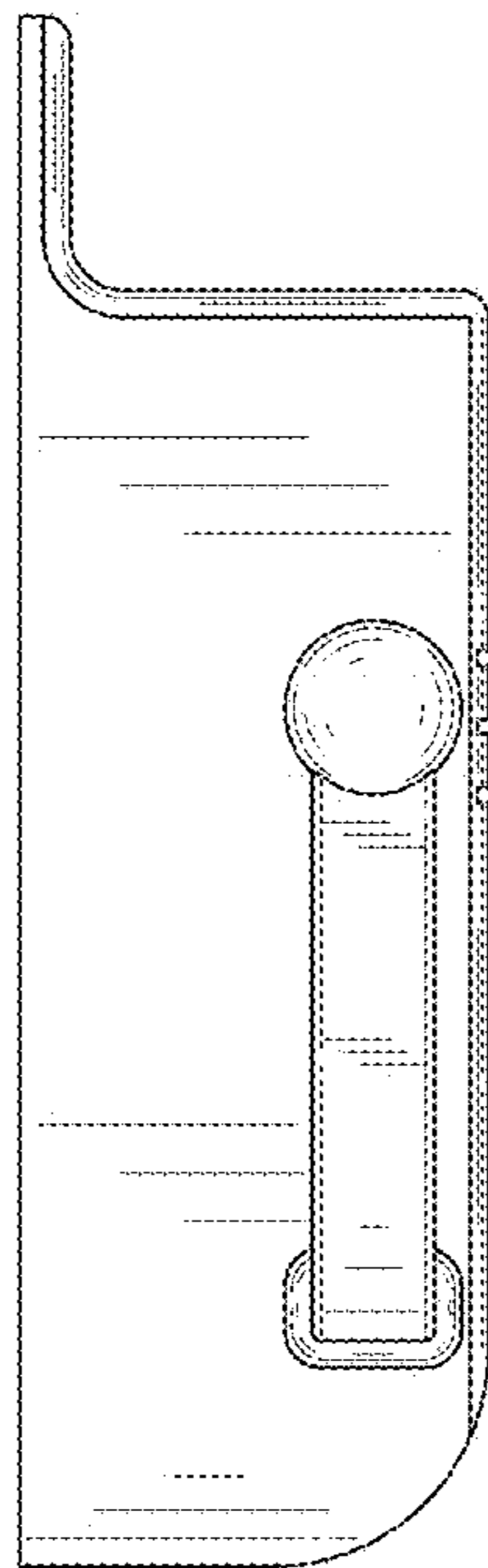


FIG. 5

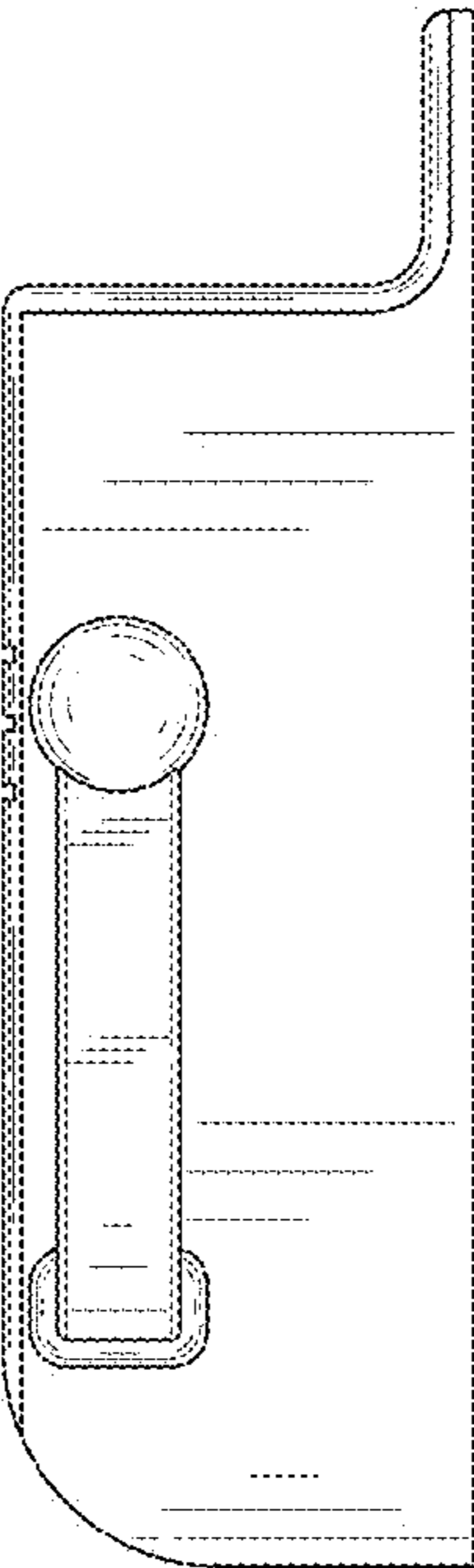


FIG. 6

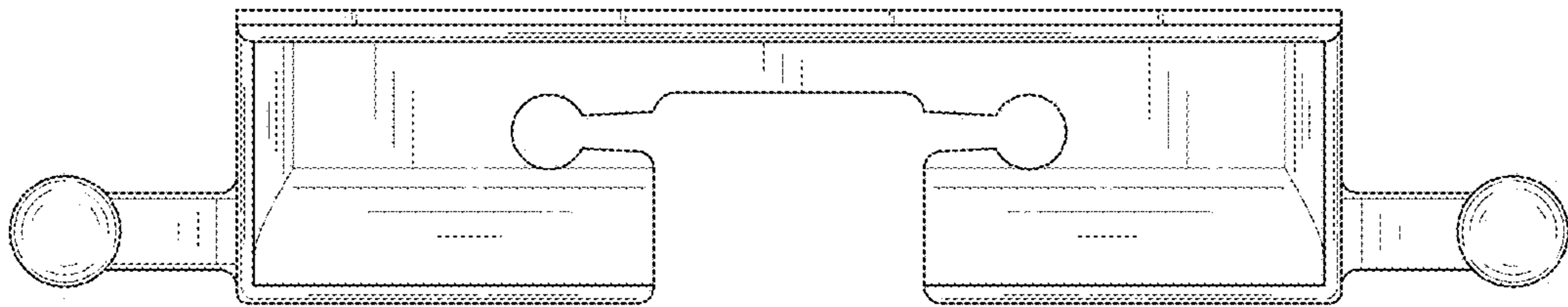


FIG. 7

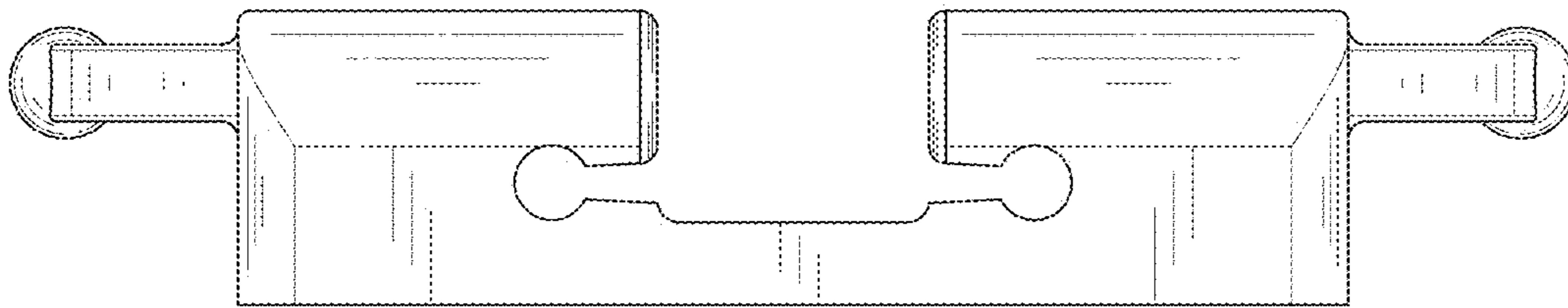


FIG. 8