



US00D981389S

(12) **United States Design Patent**  
**Wang**

(10) **Patent No.:** **US D981,389 S**  
(45) **Date of Patent:** **\*\* Mar. 21, 2023**

(54) **MOBILE PHONE WATERPROOF CONTAINER**

(71) Applicant: **Hanping Wang**, Wuhan (CN)

(72) Inventor: **Hanping Wang**, Wuhan (CN)

(\*\*) Term: **15 Years**

(21) Appl. No.: **29/820,969**

(22) Filed: **Dec. 27, 2021**

(30) **Foreign Application Priority Data**

Sep. 16, 2021 (CN) ..... 202130616754.0

(51) **LOC (14) Cl.** ..... **14-03**

(52) **U.S. Cl.**  
USPC ..... **D14/250**

(58) **Field of Classification Search**  
USPC ..... D14/250, 440, 432  
CPC ... H04B 1/3888; B32B 38/1841; B32B 37/26;  
A45D 33/28; A45D 33/006  
See application file for complete search history.

(56) **References Cited**

**U.S. PATENT DOCUMENTS**

- D459,346 S \* 6/2002 Powell ..... D14/250
- 8,418,852 B2 \* 4/2013 Ziembra ..... A45D 33/28
- 8,522,795 B2 \* 9/2013 Bouix ..... A45D 33/26  
206/349
- D704,183 S \* 5/2014 Guzman ..... D14/250
- D751,059 S \* 3/2016 Cocchia ..... D14/250
- 9,413,412 B2 \* 8/2016 Gipson ..... H04B 1/3888
- D779,475 S \* 2/2017 Park ..... D14/250
- D787,497 S \* 5/2017 Friedland ..... D14/250
- 9,876,523 B2 \* 1/2018 Hodroj ..... A45C 15/04
- D847,805 S \* 5/2019 Lederer ..... D14/250
- D891,413 S \* 7/2020 McIntire ..... D14/250
- D899,411 S \* 10/2020 Liu ..... D3/249
- D915,373 S 4/2021 Zhou

- D920,673 S 6/2021 Ormsbee et al.
- 2008/0041897 A1 \* 2/2008 Malhotra ..... A45C 11/00  
224/199
- 2011/0089077 A1 \* 4/2011 Ziembra ..... A45C 11/008  
206/229

(Continued)

**FOREIGN PATENT DOCUMENTS**

CN 304139168 \* 5/2017

**OTHER PUBLICATIONS**

AliExpress website 2022, Waterproof phone pouch, site visited Dec. 14, 2022, [https://www.aliexpress.us/item/2255799968740909.html?gatewayAdapt=glo2usa4itemAdapt&\\_randl\\_shipto=US.\\*](https://www.aliexpress.us/item/2255799968740909.html?gatewayAdapt=glo2usa4itemAdapt&_randl_shipto=US.*)

*Primary Examiner* — John R Yeh

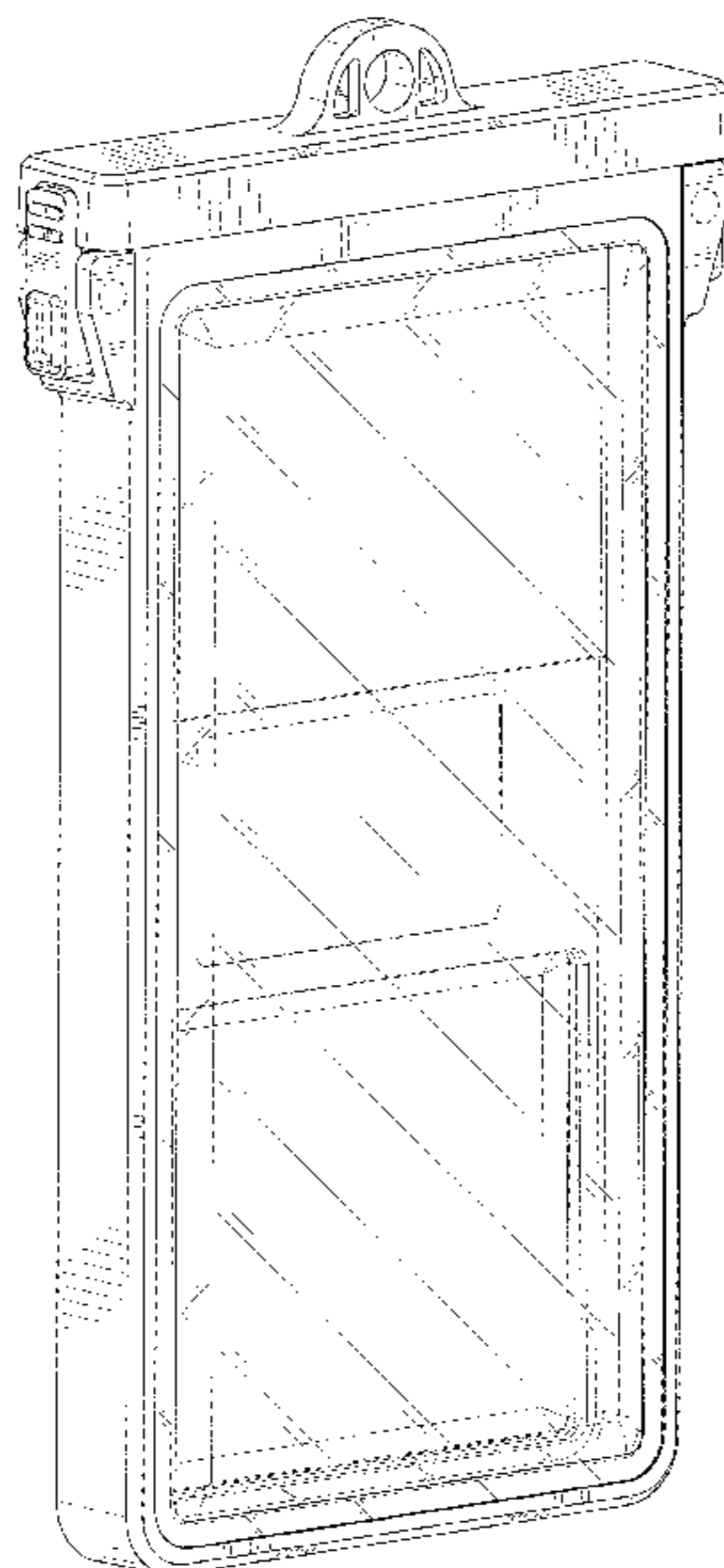
(57) **CLAIM**

The ornamental design for a mobile phone waterproof container, as shown and described.

**DESCRIPTION**

FIG. 1 is a front perspective view of my new design for a mobile phone waterproof container;  
FIG. 2 is a rear perspective view thereof;  
FIG. 3 is a front elevation view thereof;  
FIG. 4 is a rear elevation view thereof;  
FIG. 5 is a left elevation view thereof;  
FIG. 6 is a right elevation view thereof;  
FIG. 7 is a top plan view thereof;  
FIG. 8 is a bottom plan view being thereof;  
FIG. 9 is a rear perspective view of the mobile phone waterproof container in a first configuration of use;  
FIG. 10 is a rear perspective view of the mobile phone waterproof container in a second configuration of use; and,  
FIG. 11 is a rear perspective view of the mobile phone waterproof container in a third configuration of use.  
The broken lines in the drawings depict portions of the mobile phone waterproof container that form no part of the claimed design.

**1 Claim, 11 Drawing Sheets**



(56)

**References Cited**

U.S. PATENT DOCUMENTS

2012/0262618 A1\* 10/2012 Weakly ..... H04N 5/2252  
348/E5.022  
2013/0270126 A1\* 10/2013 Oliver ..... A45C 15/00  
206/38  
2014/0083876 A1\* 3/2014 Lin ..... A45C 11/00  
206/37  
2017/0188676 A1\* 7/2017 Denike ..... A45C 13/1069

\* cited by examiner

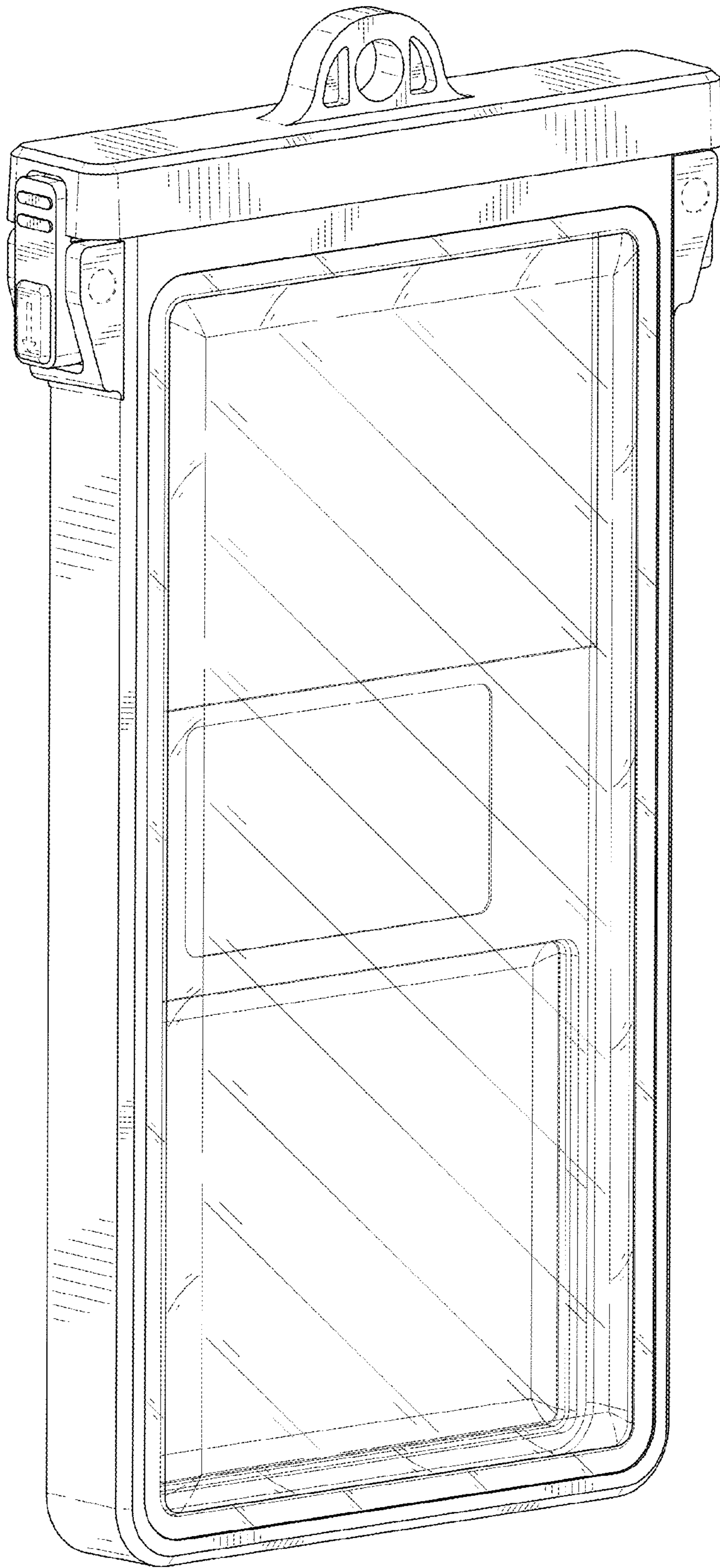


FIG. 1

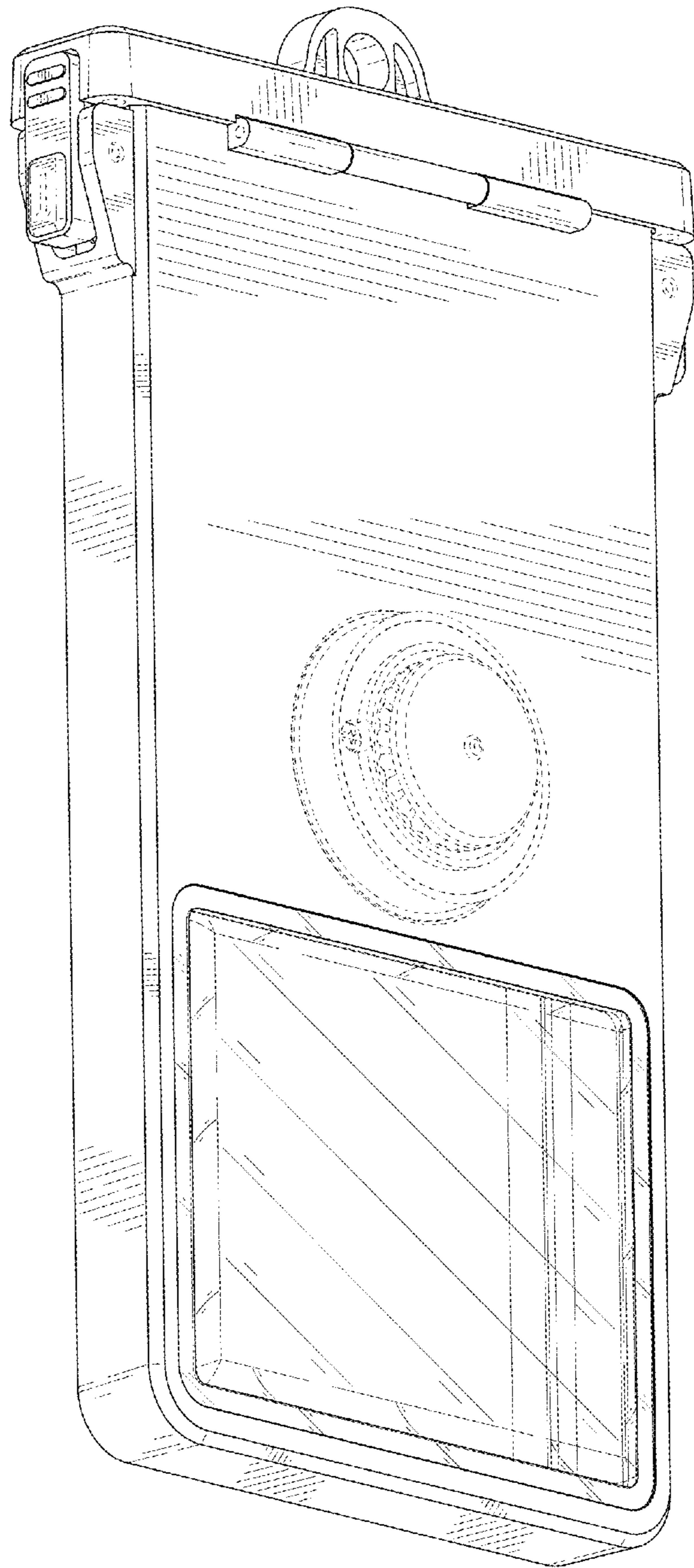


FIG. 2

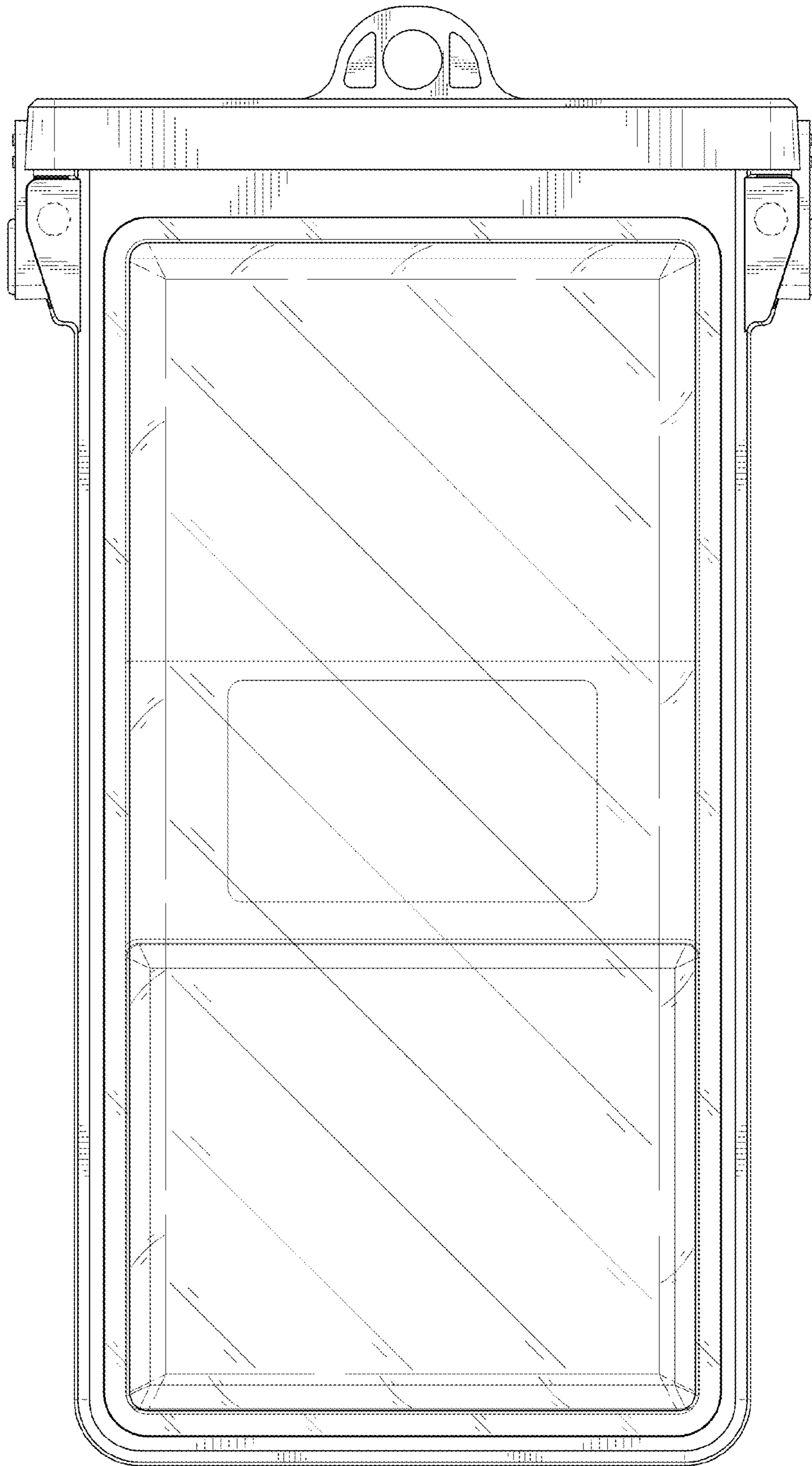


FIG. 3

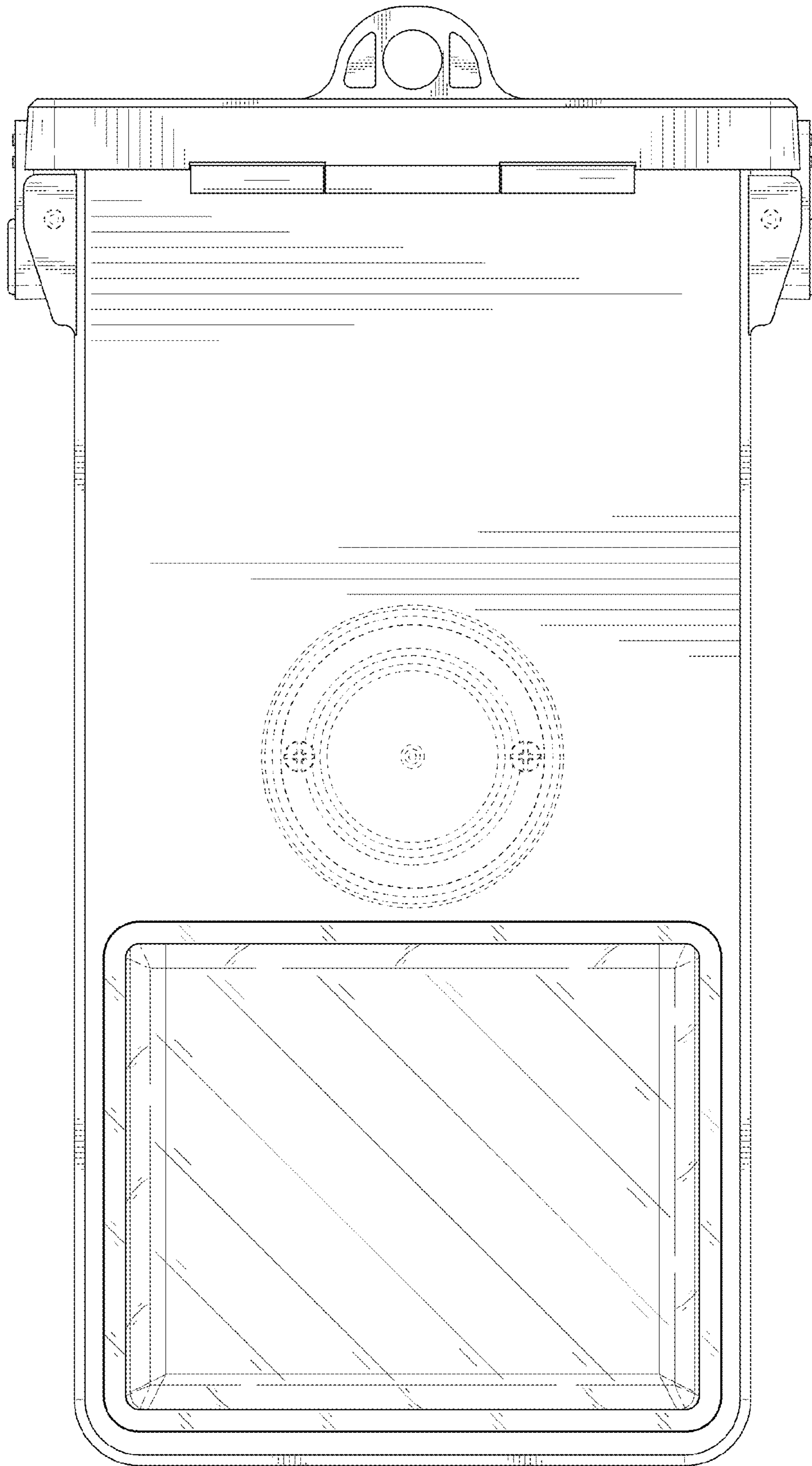


FIG. 4

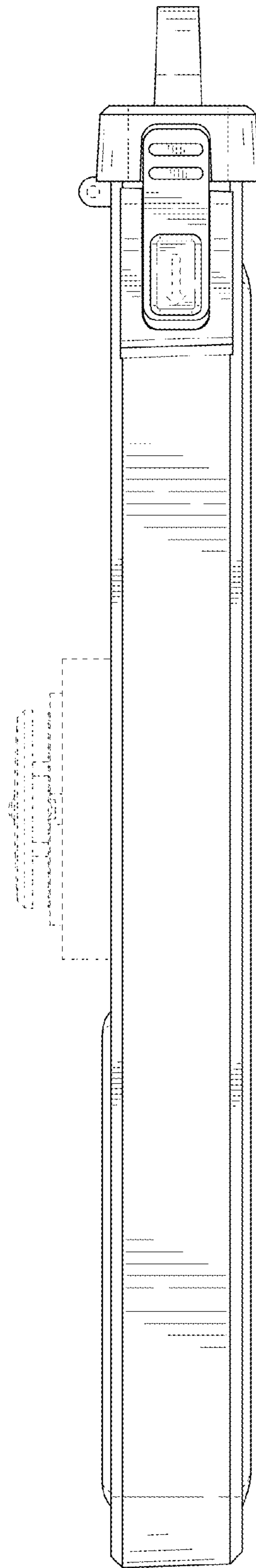


FIG. 5

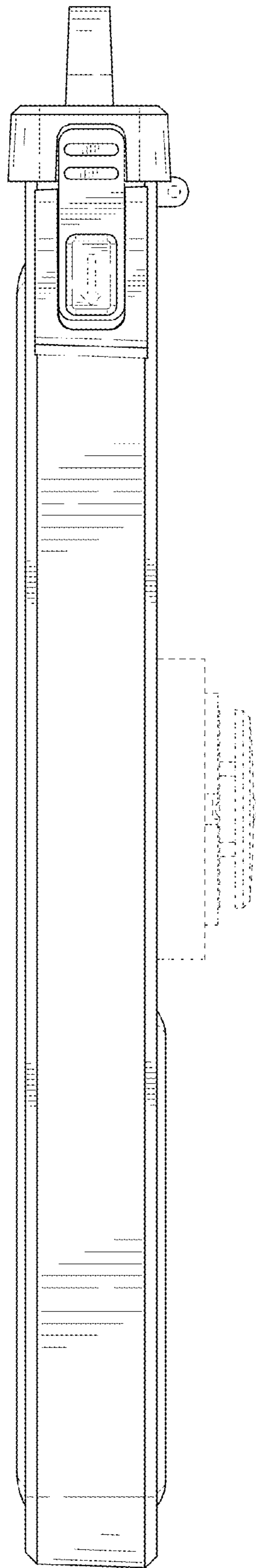


FIG. 6



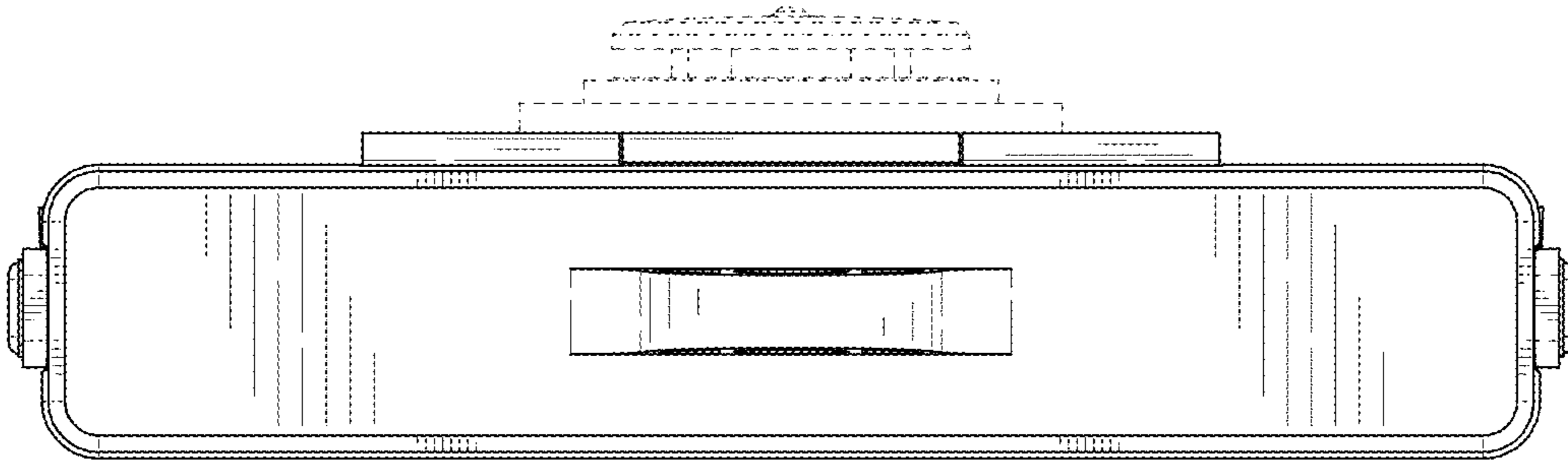


FIG. 7

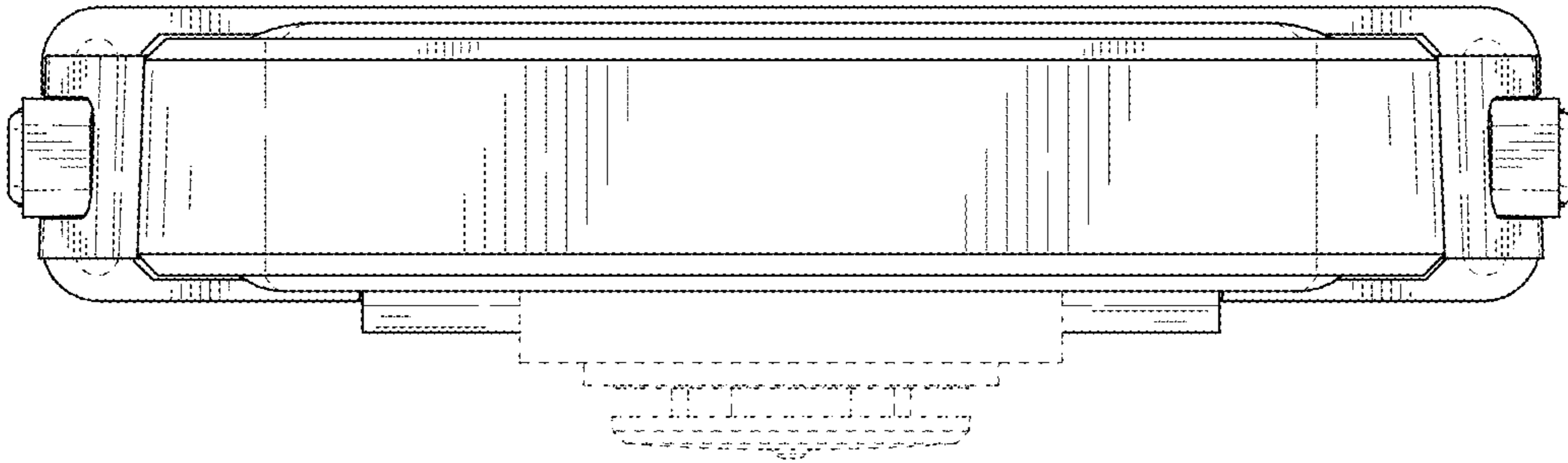


FIG. 8

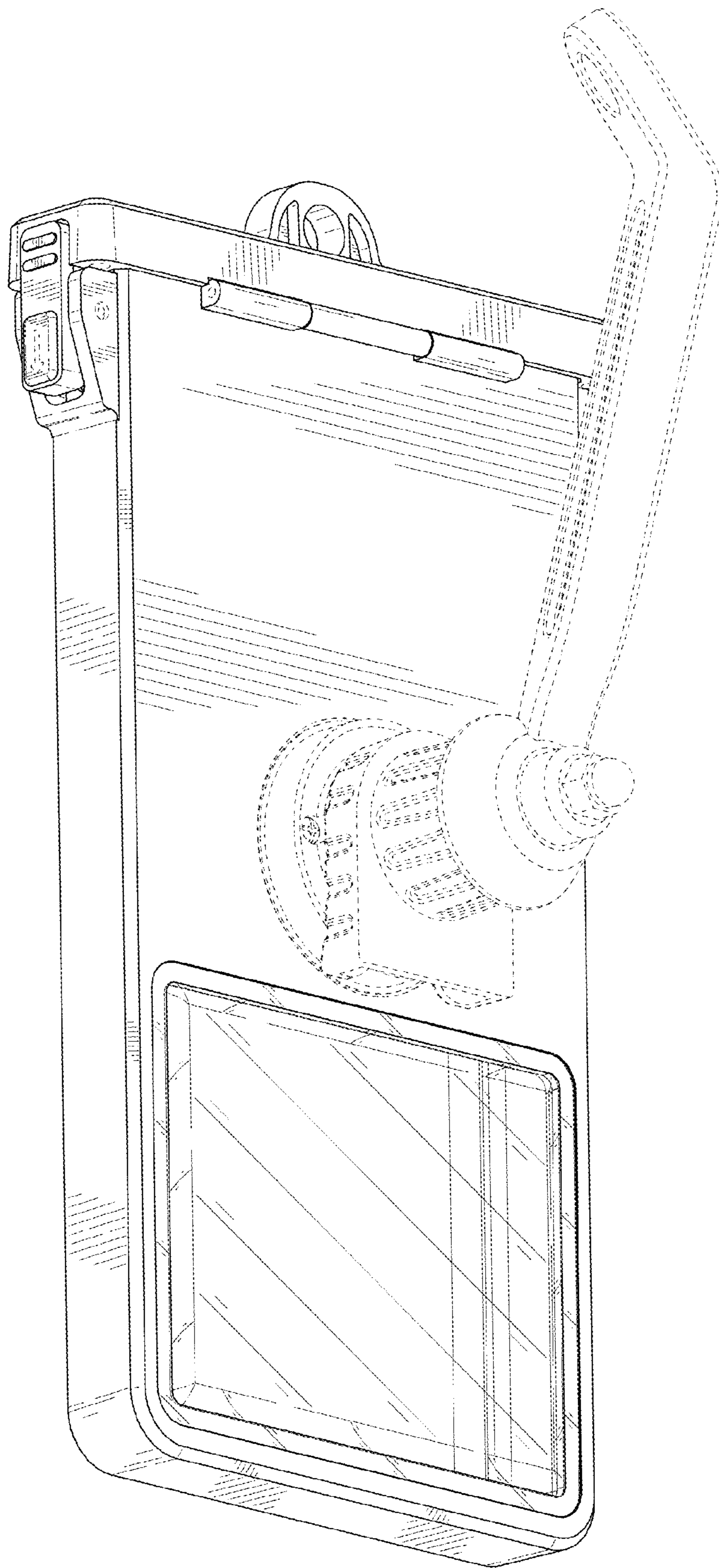


FIG. 9

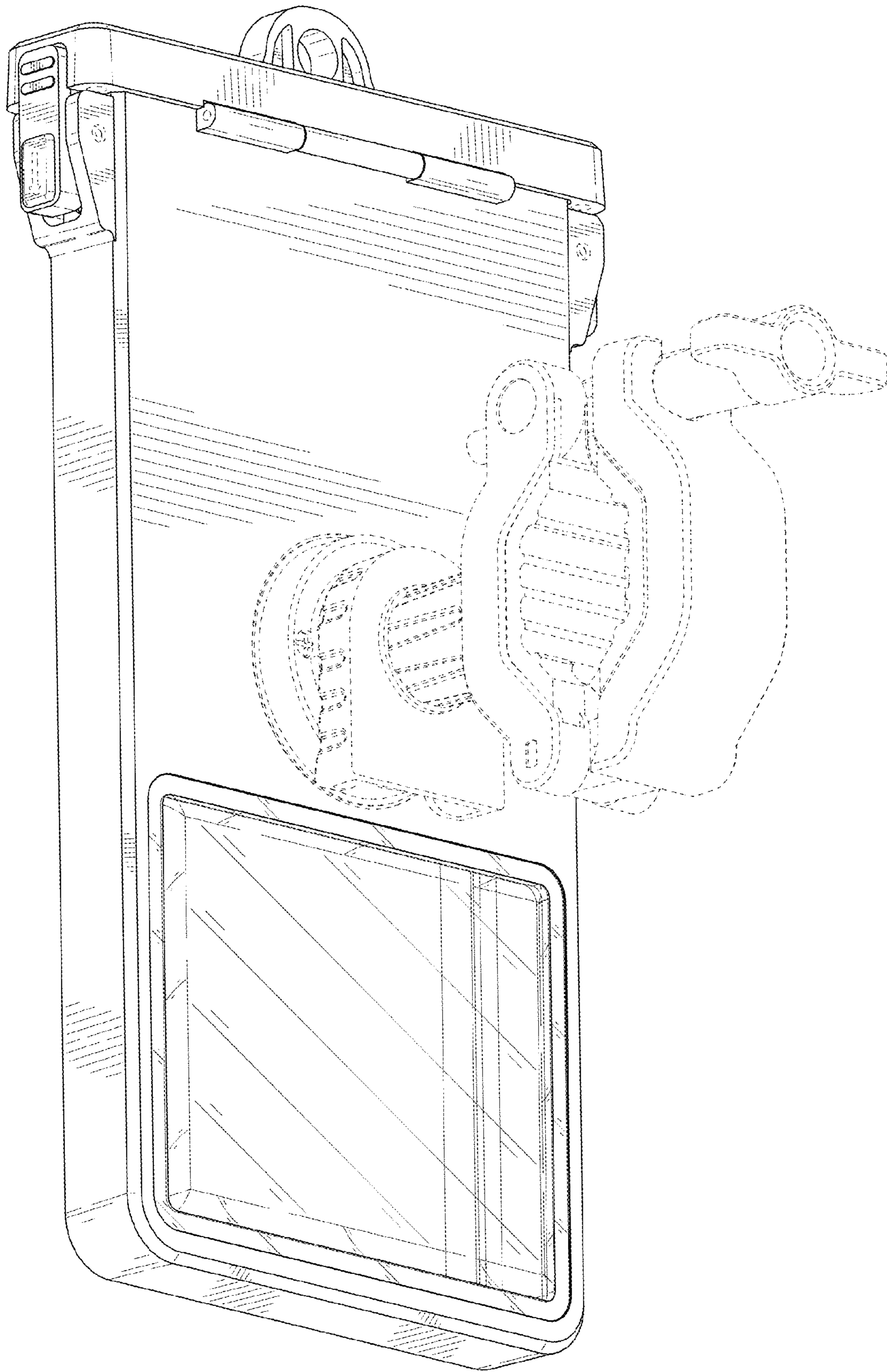


FIG. 10

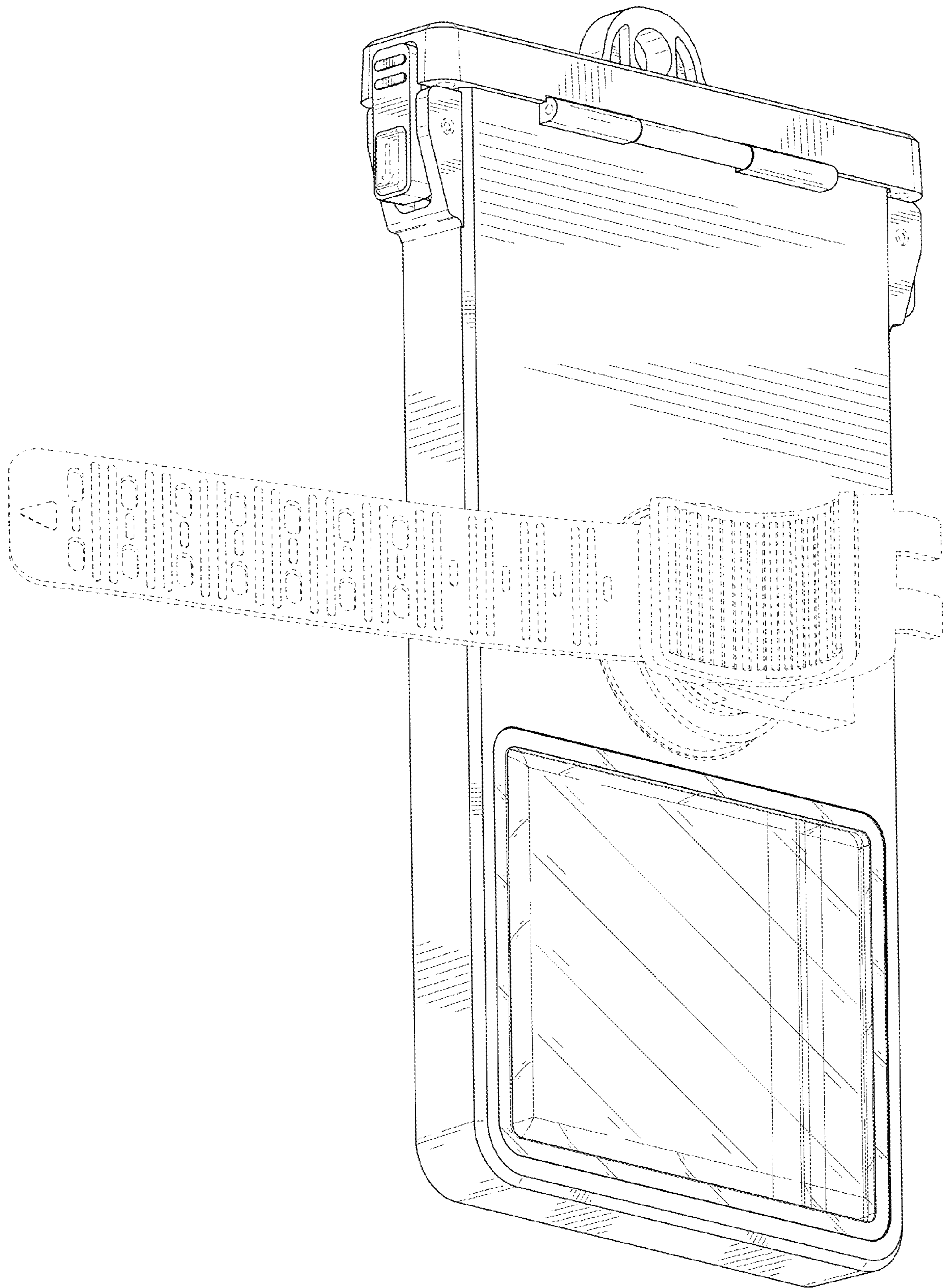


FIG. 11