



US00D981388S

(12) **United States Design Patent**  
**Ukachukwu**

(10) **Patent No.:** **US D981,388 S**  
(45) **Date of Patent:** **\*\* Mar. 21, 2023**

- (54) **PHONE CASE**
- (71) Applicant: **Charles Ukachukwu**, Toronto (CA)
- (72) Inventor: **Charles Ukachukwu**, Toronto (CA)
- (\*\*) Term: **15 Years**
- (21) Appl. No.: **29/741,707**
- (22) Filed: **Jul. 15, 2020**
- (51) **LOC (14) Cl.** ..... **14-03**
- (52) **U.S. Cl.**  
USPC ..... **D14/250**
- (58) **Field of Classification Search**  
USPC .... D14/251–253, 224, 224.1, 432–434, 447,  
D14/451, 452, 250, 440; D12/114, 415,  
D12/426.1, 223, 406, 407; D16/242, 244,  
D16/245; D3/218; D13/108  
CPC ..... B60R 11/00; B60R 11/02; B60R 11/0241;  
B60R 11/0252; B60R 2011/0003; B60R  
2011/0005; B60R 2011/0008; H04M  
1/04; F16M 11/00; F16M 11/04; F16M  
11/041; F16M 11/06; H05K 5/0204;  
A45C 11/00; A45C 2200/15; A45C  
2011/002; A45F 2200/0516  
See application file for complete search history.

(56) **References Cited**  
U.S. PATENT DOCUMENTS

7,232,098	B2 *	6/2007	Rawlings	.....	F16M 13/00 361/679.21
D559,230	S *	1/2008	Griffin	.....	D3/218
8,016,107	B2	9/2011	Emsky	.....	
D663,294	S *	7/2012	Buxton	.....	D14/250
D673,937	S *	1/2013	Cheng	.....	D14/250
8,522,965	B1 *	9/2013	Hsiung	.....	A45C 11/00 206/45.24
8,605,431	B2 *	12/2013	Cheng	.....	F16M 11/10 248/688
8,714,347	B2 *	5/2014	Mongan	.....	H04B 1/3888 206/45.24

8,978,883	B2 *	3/2015	Gandhi	.....	A45C 11/00 206/45.24
D733,154	S *	6/2015	Armstrong	.....	D14/440
D749,557	S *	2/2016	Feng	.....	D14/250
9,307,656	B2 *	4/2016	Murchison	.....	H05K 5/0234
D763,857	S	8/2016	Dang	.....	
D774,500	S *	12/2016	Reese	.....	D14/250
9,538,675	B2 *	1/2017	Le Gette	.....	F16M 11/10
D780,166	S *	2/2017	Lin	.....	D14/250
9,788,621	B2	10/2017	Kim	.....	
D807,369	S *	1/2018	Chen	.....	D14/440
9,933,009	B1 *	4/2018	Zaloom	.....	F16M 11/10

(Continued)

FOREIGN PATENT DOCUMENTS

WO WO2012097328 7/2012

*Primary Examiner* — Rebekah A Caruso

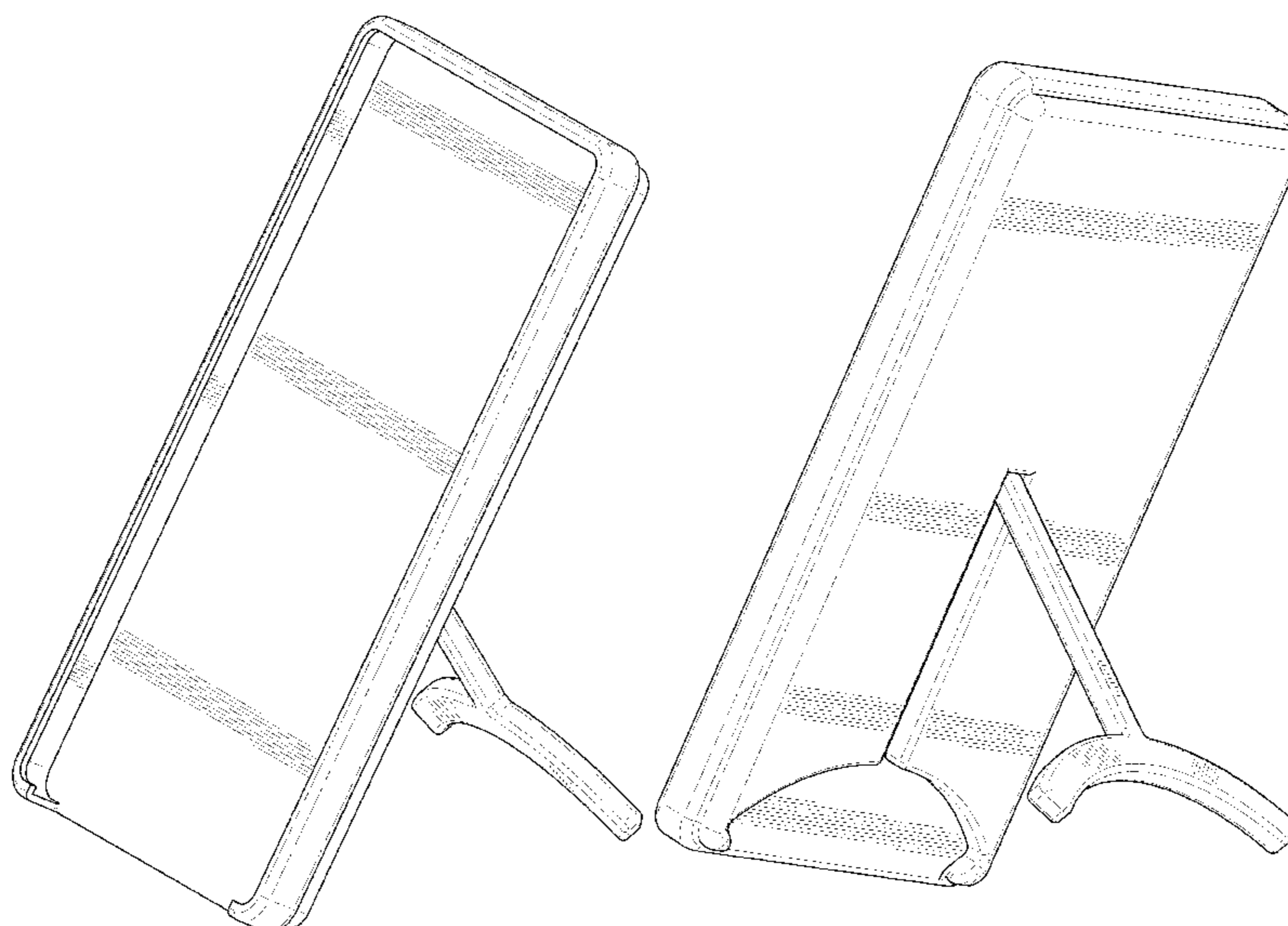
(57) **CLAIM**

The ornamental design for a phone case, as shown and described.

**DESCRIPTION**

FIG. 1 is a front view of a phone case showing my new design;  
 FIG. 2 is a rear view of the phone case;  
 FIG. 3 is a right side view of the phone case;  
 FIG. 4 is a left side view of the phone case;  
 FIG. 5 is a top view of the phone case;  
 FIG. 6 is a bottom view of the phone case;  
 FIG. 7 is a bottom front side perspective view of the phone case;  
 FIG. 8 is a top rear side perspective view of the phone case;  
 and,  
 FIG. 9 is a bottom front side perspective view of the phone case in use.  
 The broken lines in FIG. 9 are illustrative of environmental structure forming no part of the claimed design.

**1 Claim, 9 Drawing Sheets**



(56)

## References Cited

## U.S. PATENT DOCUMENTS

D860,984 S \* 9/2019 Stagge ..... D14/250  
D862,446 S \* 10/2019 Jia ..... D14/250  
D887,973 S \* 6/2020 Chen ..... D13/108  
D915,386 S \* 4/2021 Zhou ..... D14/250  
D920,319 S \* 5/2021 Haddock ..... D14/250  
D923,616 S \* 6/2021 Xie ..... D14/250  
D929,384 S \* 8/2021 Park ..... D14/250  
D934,226 S \* 10/2021 Zhang ..... D14/250  
D938,407 S \* 12/2021 Ukachukwu ..... D14/250  
D941,282 S \* 1/2022 Bai ..... D14/250  
D949,840 S \* 4/2022 Ling ..... D14/250  
11,384,895 B1 \* 7/2022 Zhang ..... A45C 11/00  
2010/0072334 A1 \* 3/2010 Le Gette ..... F16M 11/10  
29/428  
2012/0006950 A1 \* 1/2012 Vandiver ..... F16M 13/00  
248/176.3  
2013/0092811 A1 \* 4/2013 Funk ..... G06F 1/1632  
248/371  
2016/0066453 A1 \* 3/2016 Quehl ..... A45C 11/00  
206/45.2  
2016/0113368 A1 \* 4/2016 Tu ..... A45C 11/00  
206/45.23  
2016/0249472 A1 8/2016 Tu  
2017/0045920 A1 \* 2/2017 Armstrong ..... G06F 1/1669  
2018/0041237 A1 \* 2/2018 Mody ..... H04M 1/185  
2021/0059370 A1 \* 3/2021 Del Toro ..... F16M 11/10  
2021/0091817 A1 \* 3/2021 Heroux ..... H04B 1/3888  
2021/0227960 A1 \* 7/2021 Carnevali ..... A45F 5/10

\* cited by examiner

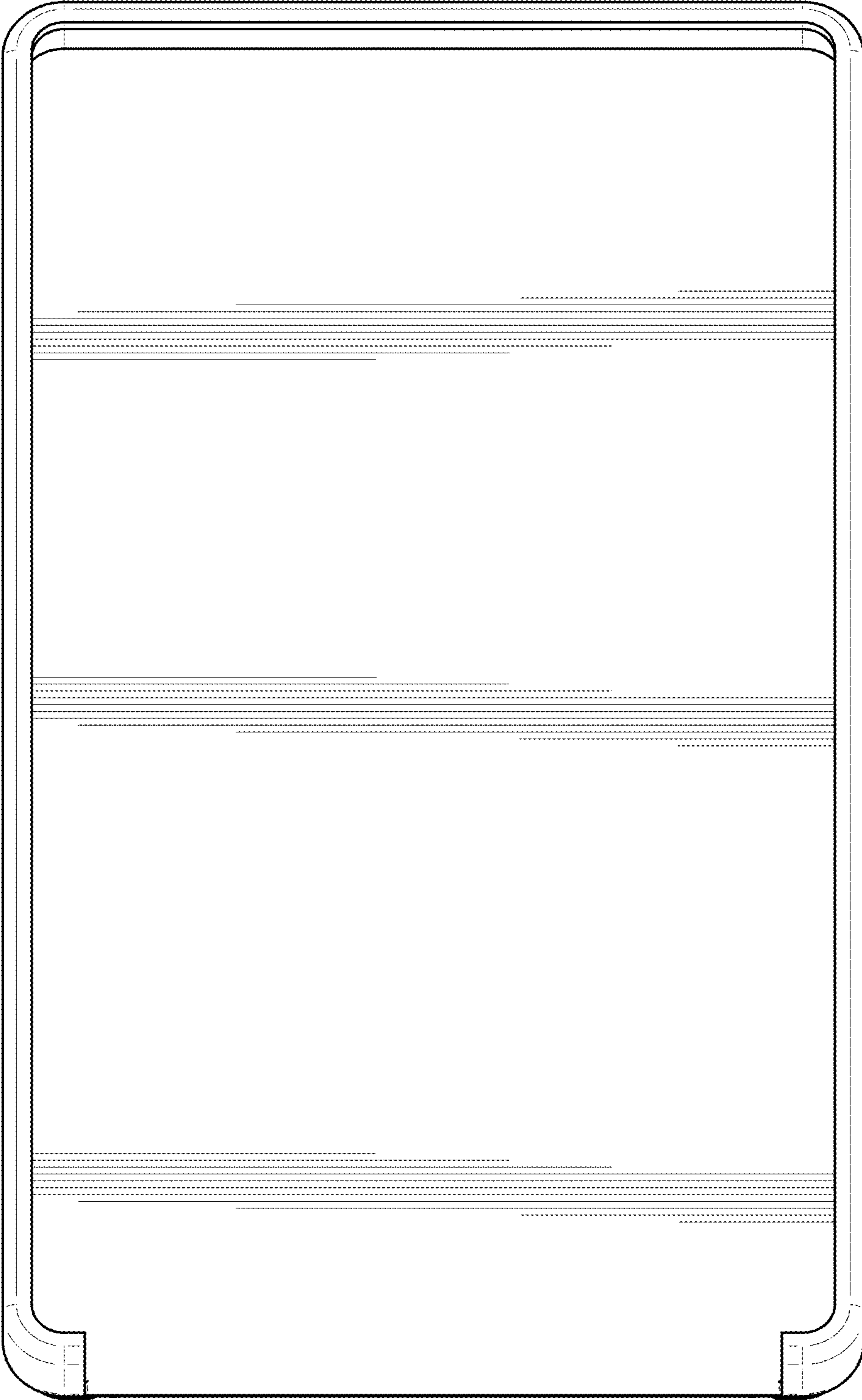


FIG. 1

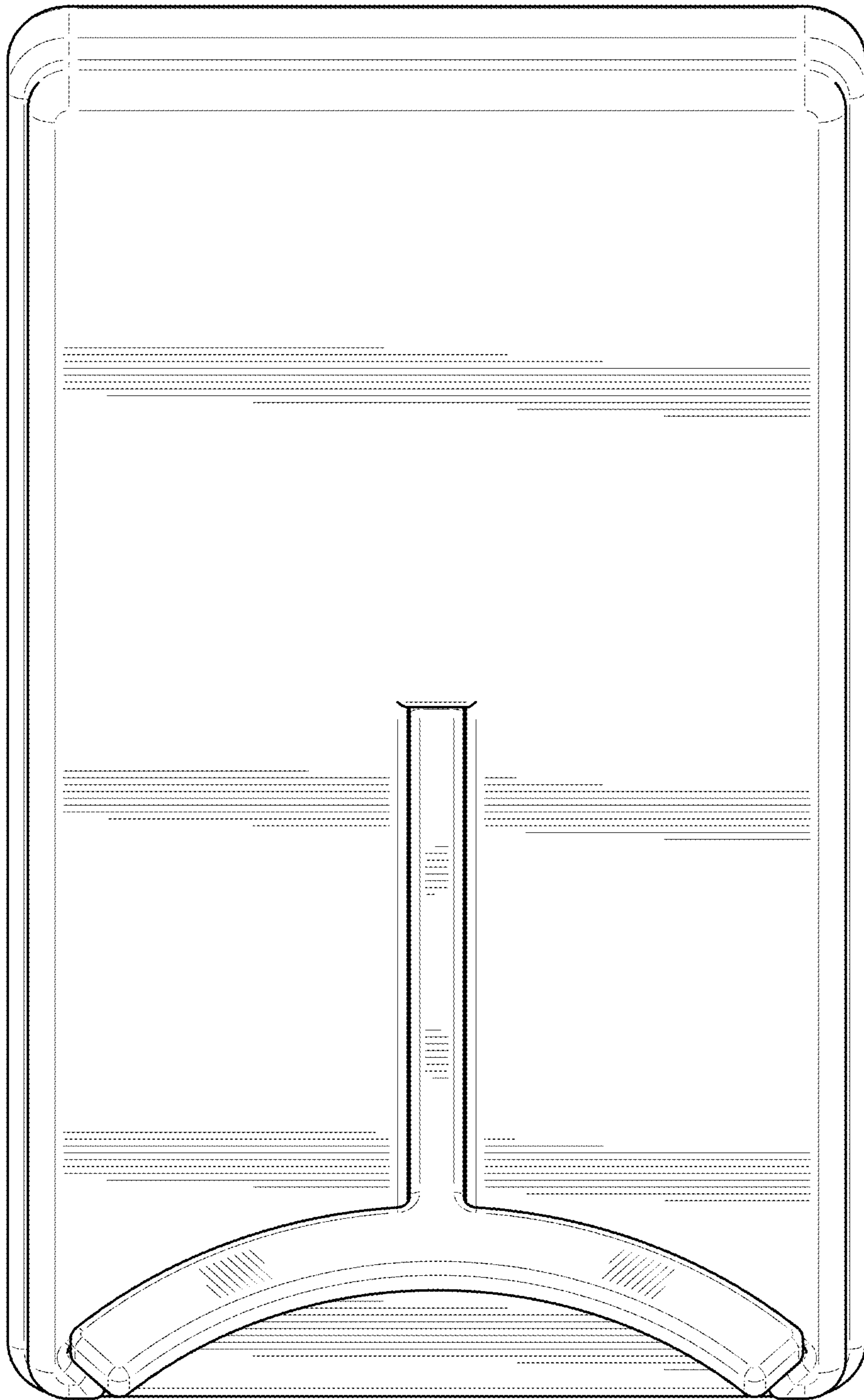


FIG. 2

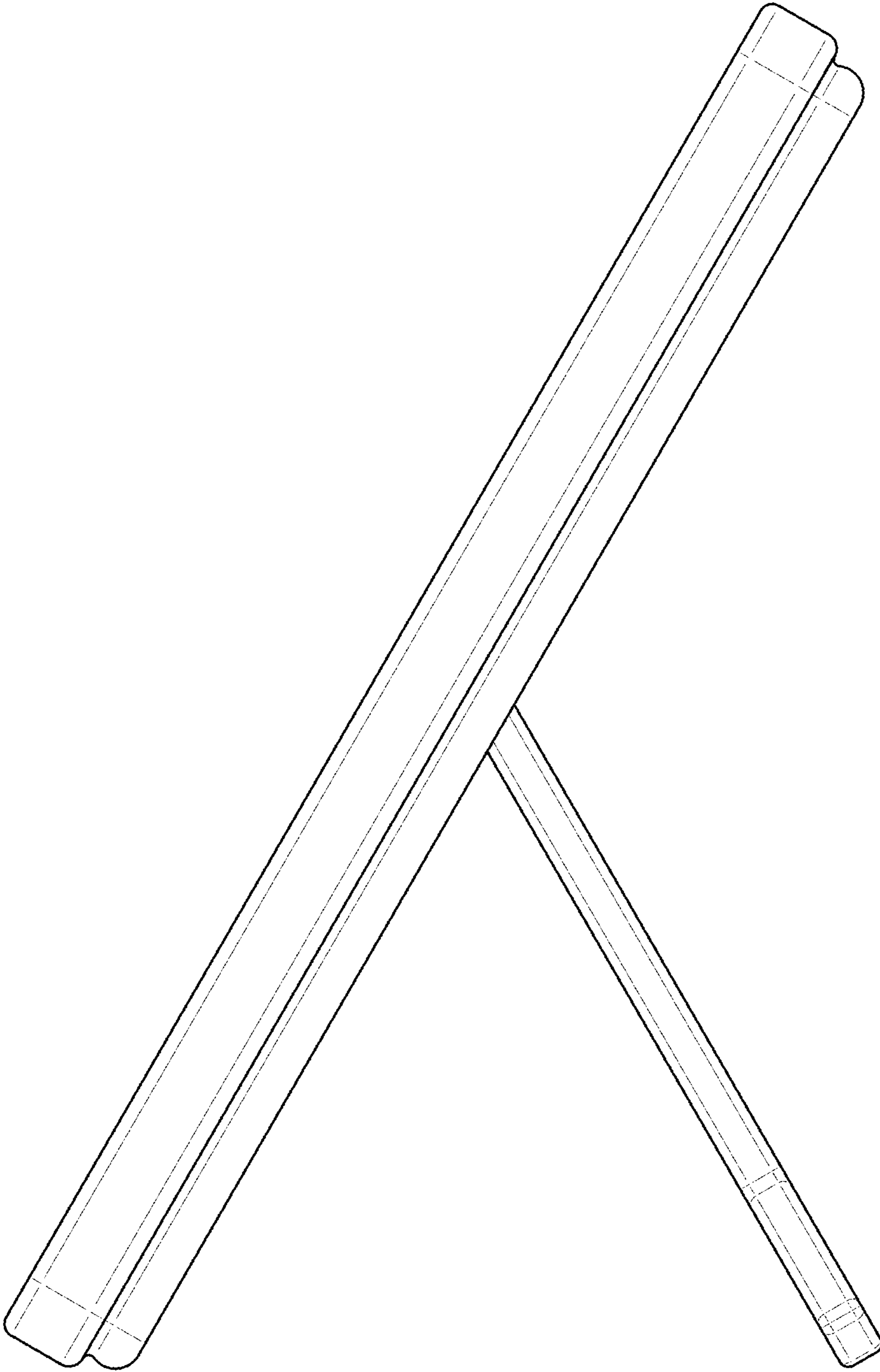


FIG. 3

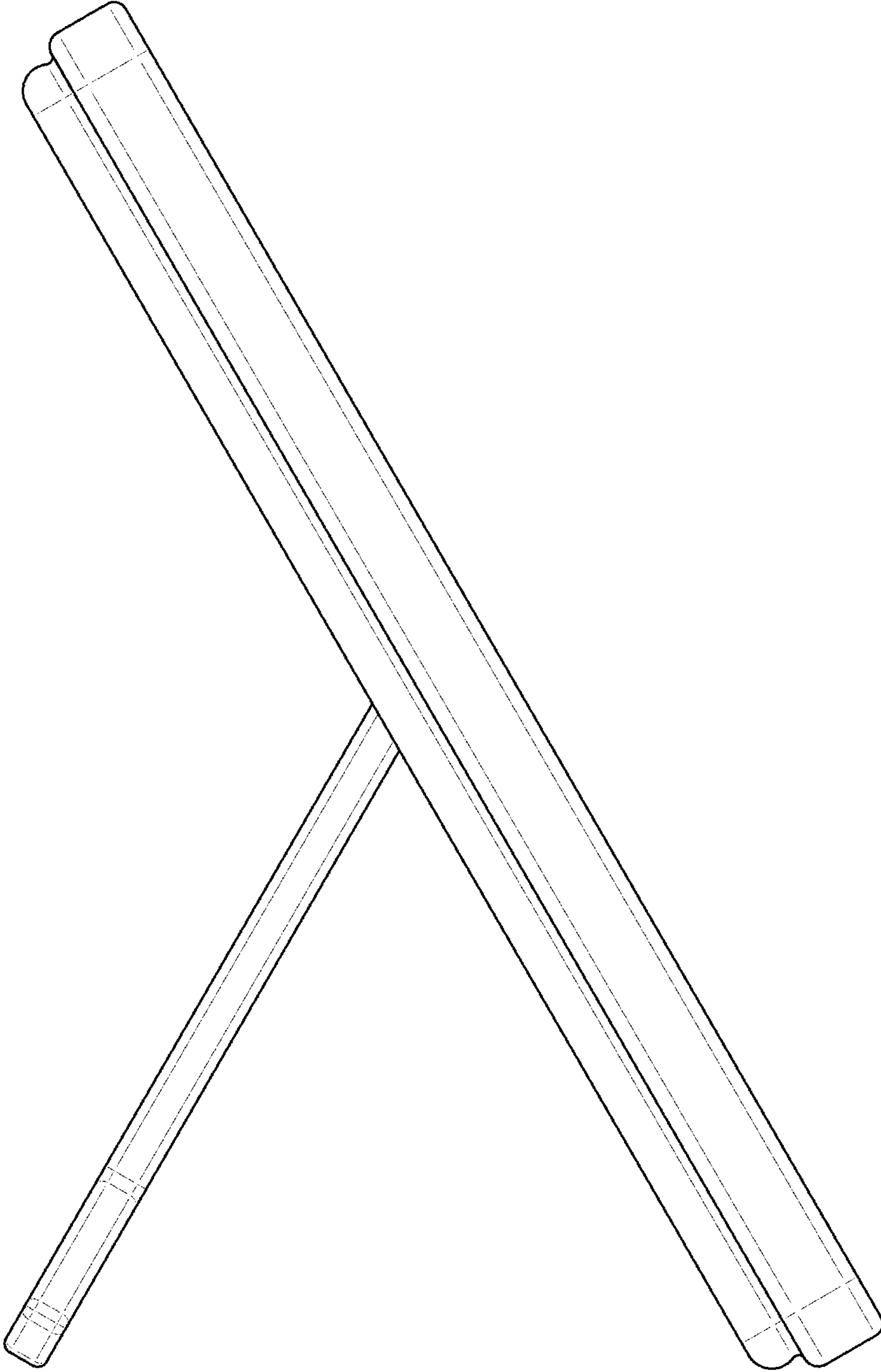


FIG. 4

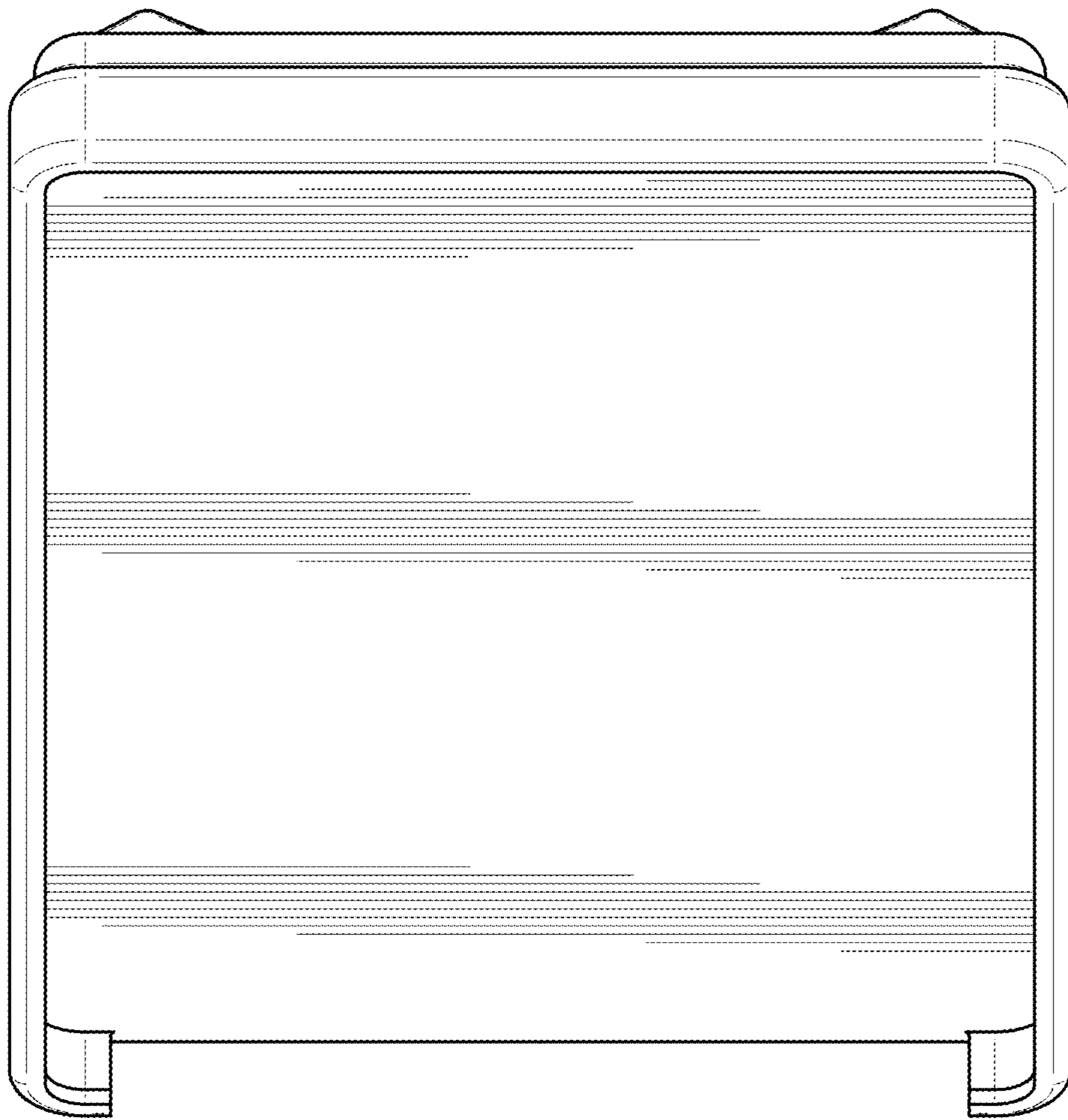


FIG. 5

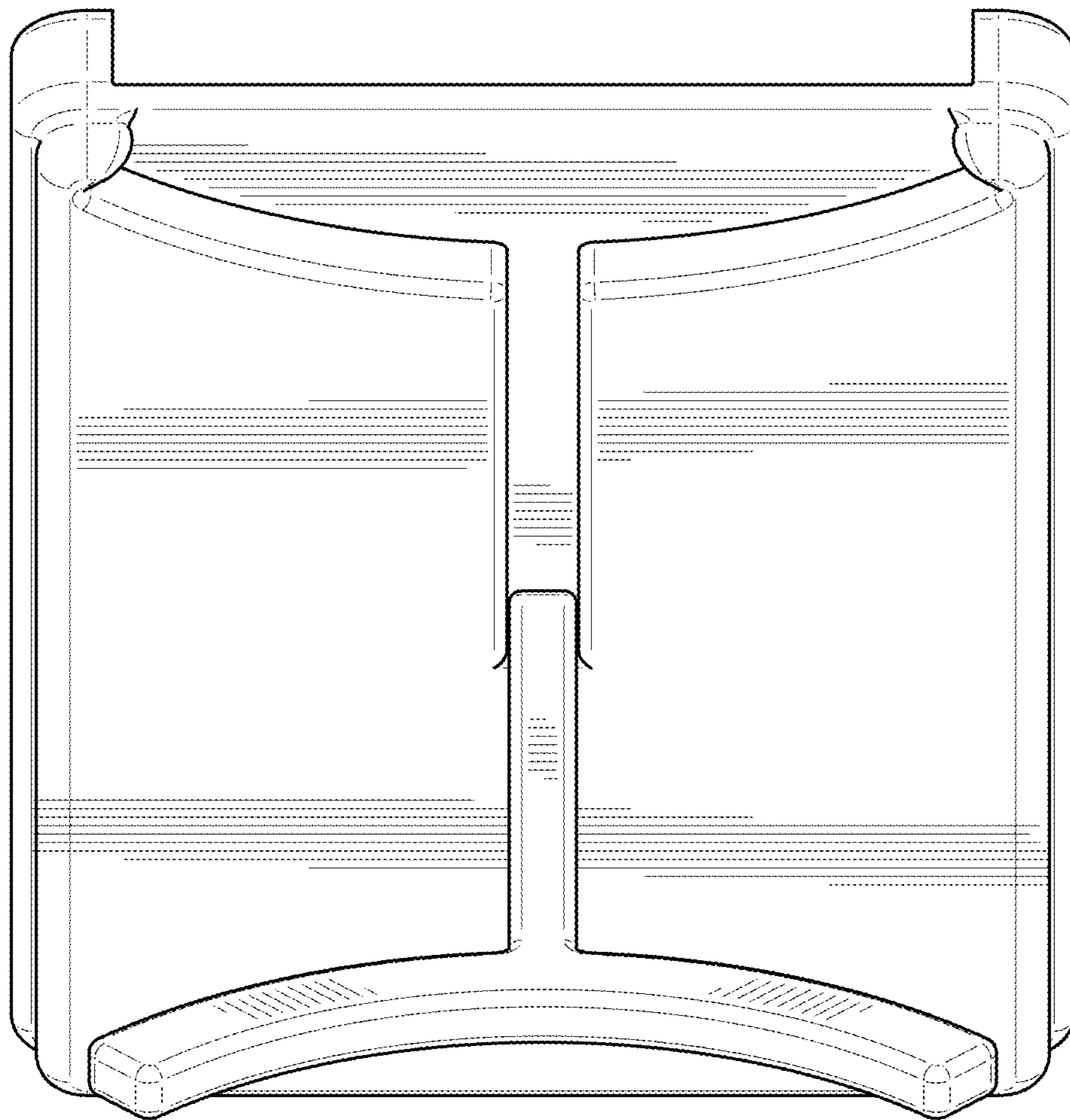


FIG. 6



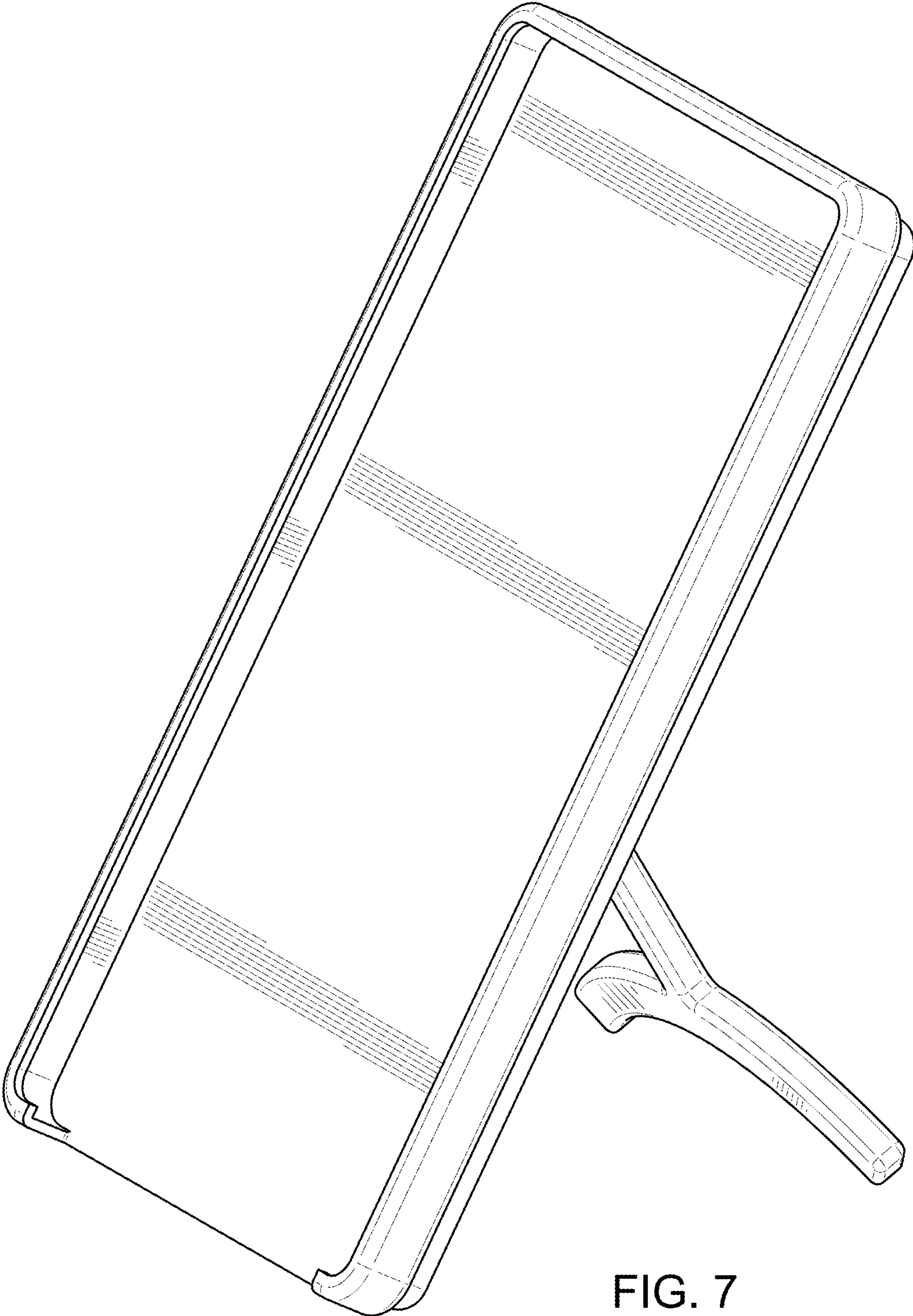


FIG. 7

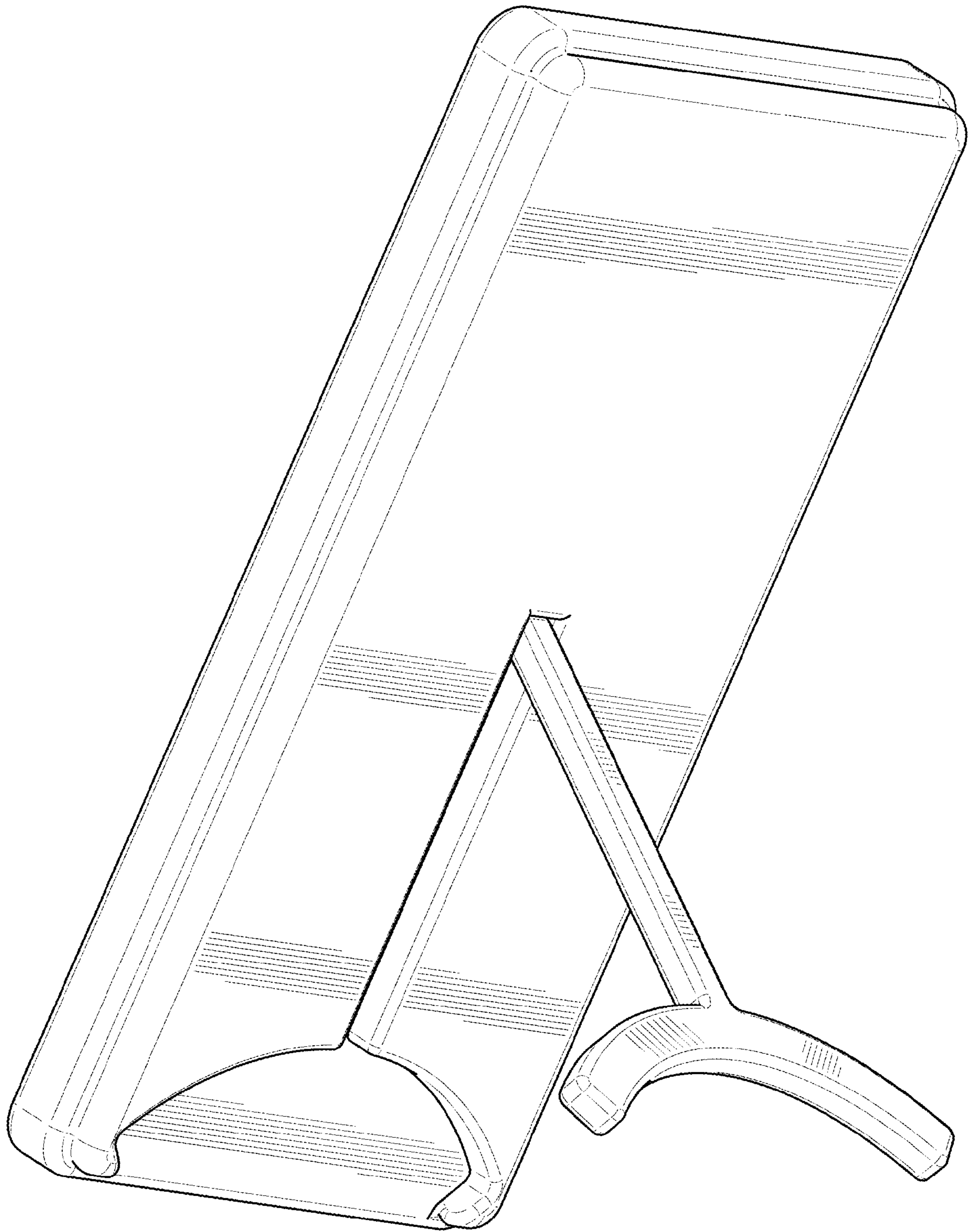


FIG. 8

