



US00D981385S

(12) **United States Design Patent**
Kim et al.

(10) **Patent No.:** **US D981,385 S**
(45) **Date of Patent:** **** Mar. 21, 2023**

- (54) **COVER WINDOW FOR DISPLAY DEVICE**
 - (71) Applicant: **Samsung Display Co., Ltd.**, Yongin-si (KR)
 - (72) Inventors: **Seung Kim**, Seongnam-si (KR); **Byung Hoon Kang**, Hwaseong-si (KR); **Kyung Rok Ko**, Suwon-si (KR); **Seung Ho Kim**, Anyang-si (KR); **Young-Seok Seo**, Seoul (KR); **Gyu In Shim**, Yongin-si (KR); **Jeong Ho Hwang**, Cheonan-si (KR); **Young Su Kim**, Gunpo-si (KR); **Jae Suk Yoo**, Seoul (KR); **Yong Won Yun**, Yongin-si (KR); **Jeong-Seop Choi**, Cheonan-si (KR)
 - (73) Assignee: **Samsung Display Co., Ltd.**, Yongin-si (KR)
 - (**) Term: **15 Years**
 - (21) Appl. No.: **29/783,151**
 - (22) Filed: **May 11, 2021**
 - (30) **Foreign Application Priority Data**
 - Nov. 12, 2020 (KR) 30-2020-0054717
 - Nov. 12, 2020 (KR) 30-2020-0054718

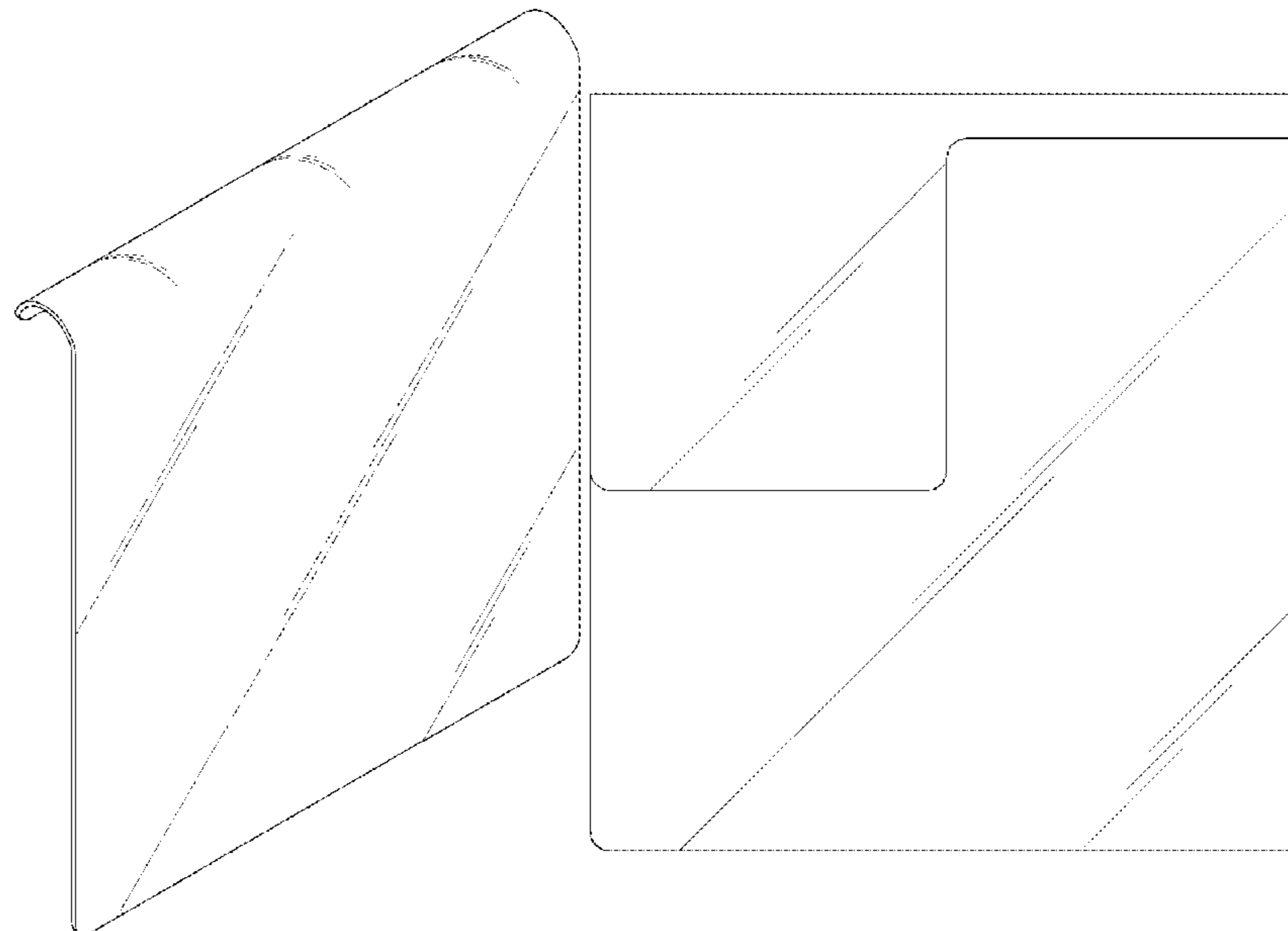
(Continued)
 - (51) **LOC (14) Cl.** **14-03**
 - (52) **U.S. Cl.**
USPC **D14/248**
 - (58) **Field of Classification Search**
USPC D14/138 G, 138 AD, 138 AB, 248, 341, D14/345, 439, 432, 371, 374, 247, 138 R, D14/138 AA, 138 AC, 138 C, 440
- (Continued)

- (56) **References Cited**
U.S. PATENT DOCUMENTS
D666,203 S * 8/2012 Wang D14/439
D694,729 S * 12/2013 Seo D14/138 G
(Continued)
- FOREIGN PATENT DOCUMENTS
KR 10-1585633 B1 1/2016
KR 10-1638579 B1 7/2016
(Continued)
- Primary Examiner* — Bridget L Eland
(74) *Attorney, Agent, or Firm* — Lewis Roca Rothgerber Christie LLP

(57) **CLAIM**
The ornamental design for cover window for display device, as shown and described.

DESCRIPTION
FIG. 1 is a front perspective view of the cover window showing our new design according to a first embodiment; FIG. 2 is a front view thereof; FIG. 3 is a rear view thereof; FIG. 4 is a left side view thereof; FIG. 5 is a right side view thereof; FIG. 6 is a top view thereof; FIG. 7 is a bottom view thereof; FIG. 8 is a rear perspective view thereof; FIG. 9 is a front perspective view of the cover window showing our new design according to a second embodiment; FIG. 10 is a front view thereof; FIG. 11 is a rear view thereof; FIG. 12 is a left side view thereof; FIG. 13 is a right side view thereof; FIG. 14 is a top view thereof; FIG. 15 is a bottom view thereof; and, FIG. 16 is a rear perspective view thereof.

1 Claim, 16 Drawing Sheets



(30) Foreign Application Priority Data

Nov. 12, 2020 (KR) 30-2020-0054719
 Nov. 12, 2020 (KR) 30-2020-0054720

(58) Field of Classification Search

CPC H04M 1/0202; H04M 1/0235; H04M
 1/0237; H04M 1/0239; H04M 1/0266;
 H04M 1/0268; H04M 1/027; H04M
 1/0295; H04M 1/02; H04M 1/0279;
 H04M 1/0283

See application file for complete search history.

(56) References Cited

U.S. PATENT DOCUMENTS

D718,266 S * 11/2014 Zhang D14/138 G
 D718,268 S * 11/2014 Wu D14/138 G
 D721,671 S * 1/2015 Nam D14/138 G
 D722,035 S * 2/2015 Nam D14/138 G
 D732,497 S * 6/2015 Lee D14/138 G
 D732,499 S * 6/2015 Lee D14/138 G
 D737,238 S * 8/2015 Lee D14/138 G
 D744,990 S * 12/2015 Lee D14/138 G
 D745,484 S * 12/2015 Lee D14/138 G
 D753,088 S * 4/2016 Wu D14/138 G
 D776,074 S * 1/2017 Choo D14/138 G
 D777,130 S * 1/2017 Kim D14/138 G
 D777,698 S * 1/2017 Kim D14/138 G
 D778,254 S * 2/2017 Choo D14/138 G
 D778,869 S * 2/2017 Kim D14/138 G
 D780,708 S * 3/2017 Park D14/138 G

D788,752 S * 6/2017 Kim D14/138 G
 D791,095 S * 7/2017 Kim D14/138 G
 D798,259 S * 9/2017 Seo D14/138 G
 D801,293 S * 10/2017 Choo D14/138 G
 D807,849 S * 1/2018 Kim D14/138 G
 D834,551 S * 11/2018 Ryu D14/138 G
 D837,176 S * 1/2019 Choi D14/138 G
 D860,965 S * 9/2019 Cho D14/138 G
 D866,499 S * 11/2019 Shin D14/138 G
 D866,501 S * 11/2019 Shin D14/138 G
 10,871,802 B2 * 12/2020 Yug B32B 27/08
 D948,505 S * 4/2022 Kim D14/371
 2020/0371556 A1 * 11/2020 Zhao G06F 1/1686
 2020/0371558 A1 * 11/2020 Kim H04M 1/0268
 2020/0409421 A1 * 12/2020 Cho H04M 1/0268
 2021/0117012 A1 * 4/2021 Kim G06F 3/044
 2021/0352813 A1 * 11/2021 Cho G06F 1/1656
 2021/0375166 A1 * 12/2021 Park G09F 9/301
 2022/0039274 A1 * 2/2022 Shin G06F 1/1618
 2022/0088741 A1 * 3/2022 Shim B24B 7/075
 2022/0183167 A1 * 6/2022 Liu H05K 5/0217

FOREIGN PATENT DOCUMENTS

KR 10-1721082 B1 3/2017
 KR 10-2018-0038610 A 4/2018
 KR 10-2018-0074780 A 7/2018
 KR 10-1893830 B1 8/2018
 KR 10-1904825 B1 10/2018
 KR 10-2019-0071854 A 6/2019
 KR 10-2019-0098284 A 8/2019
 KR 30-1017699 S 8/2019
 KR DM/202392 S 5/2020

* cited by examiner

FIG. 1

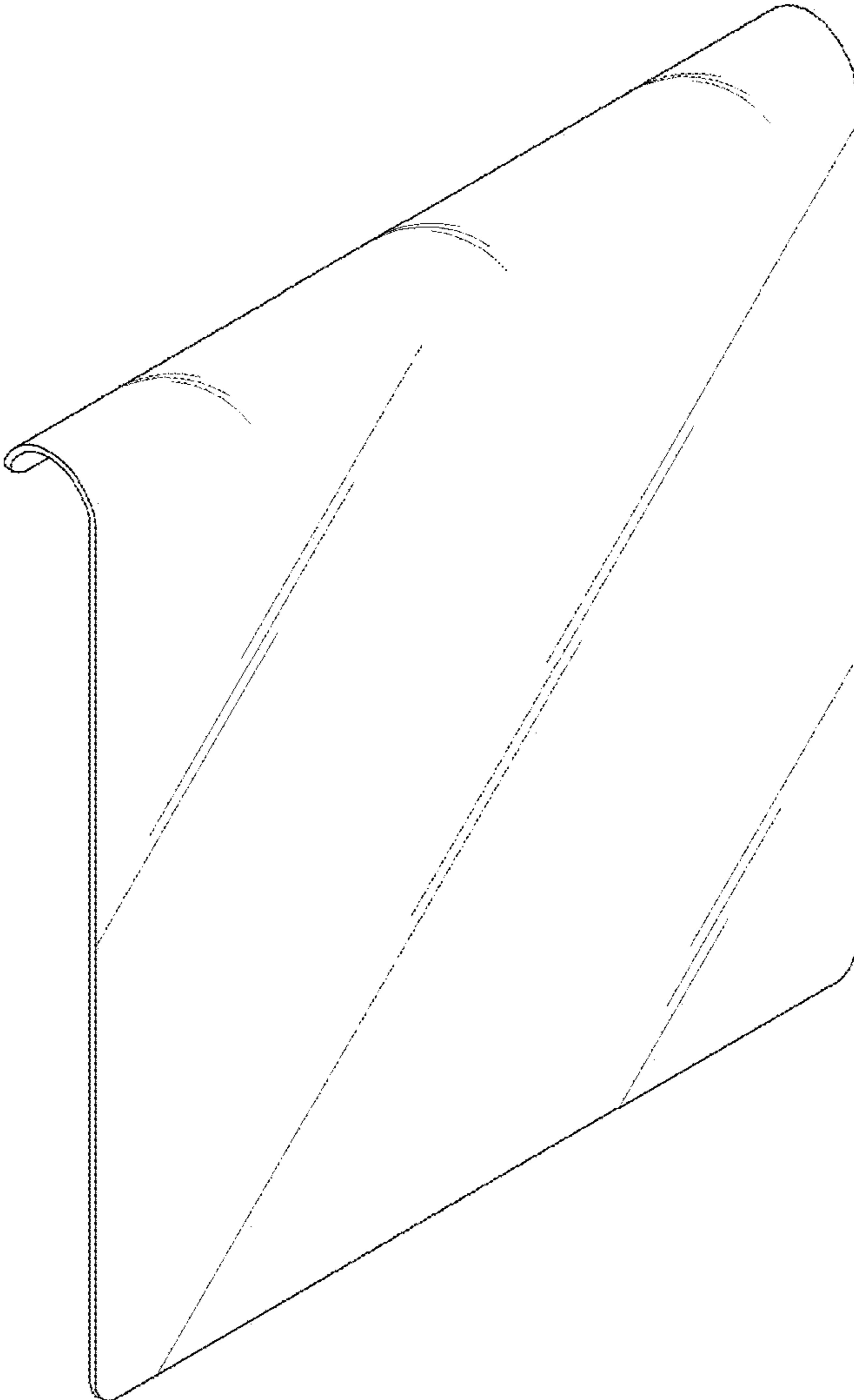


FIG. 2

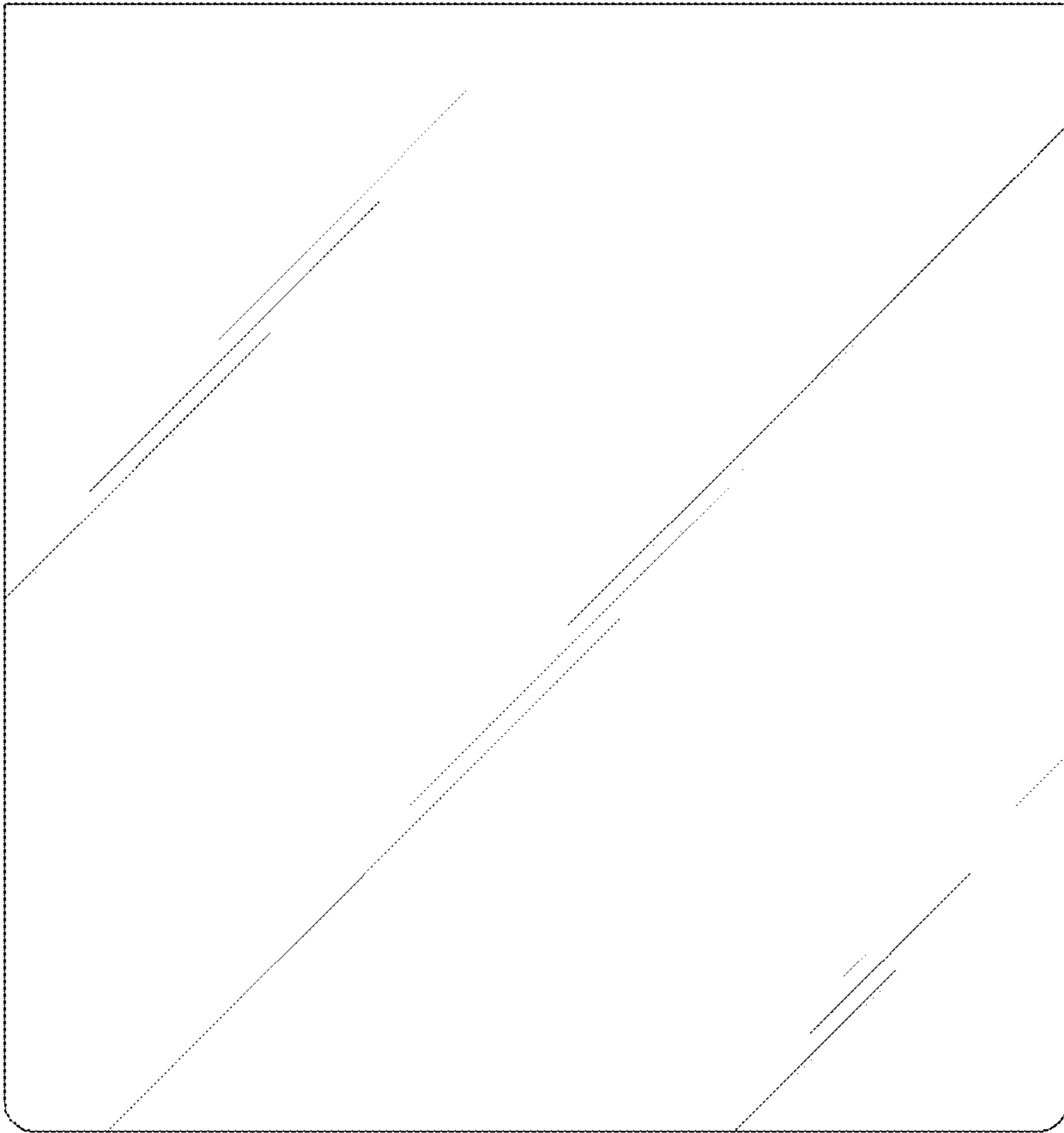


FIG. 3

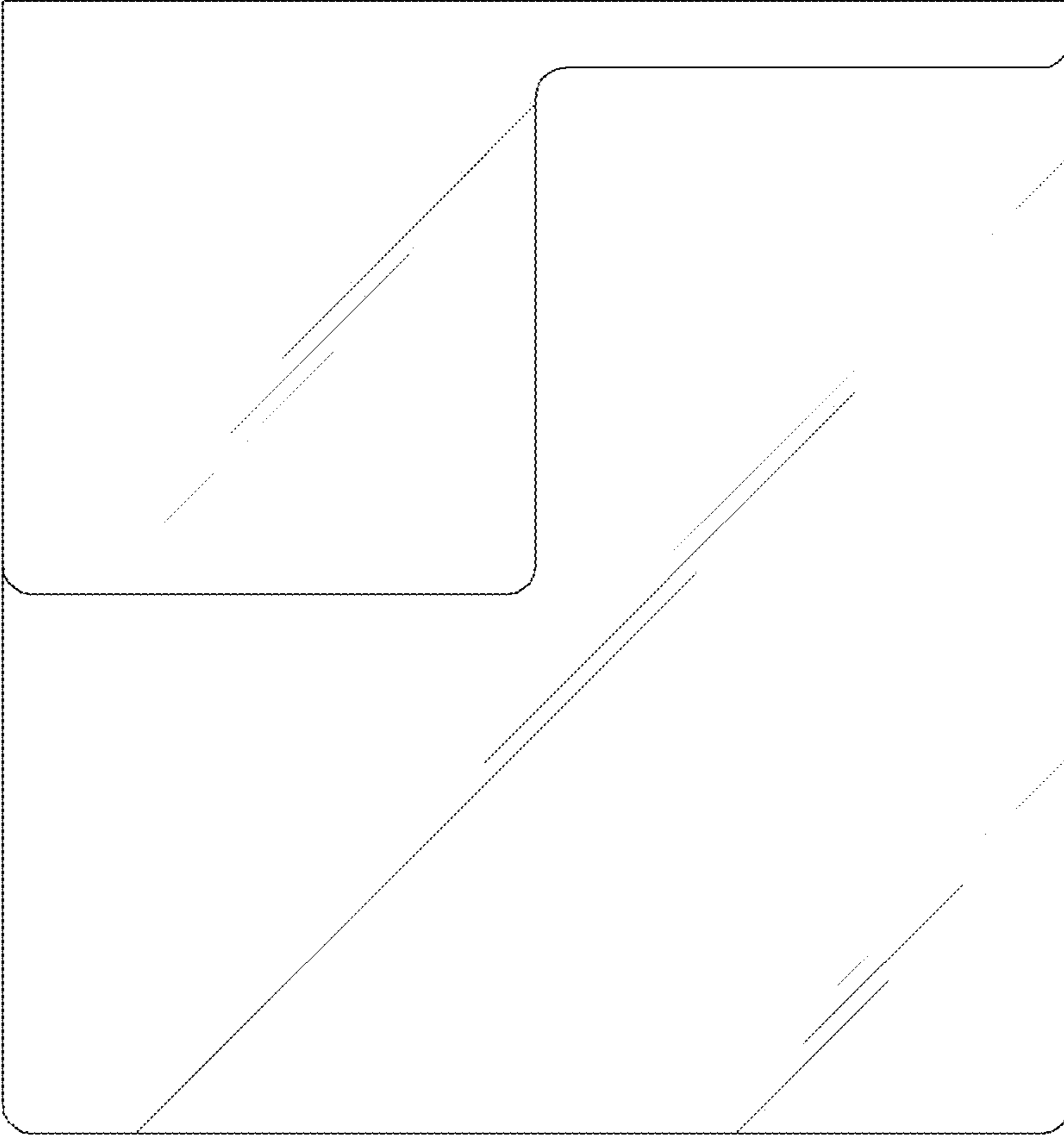


FIG. 4

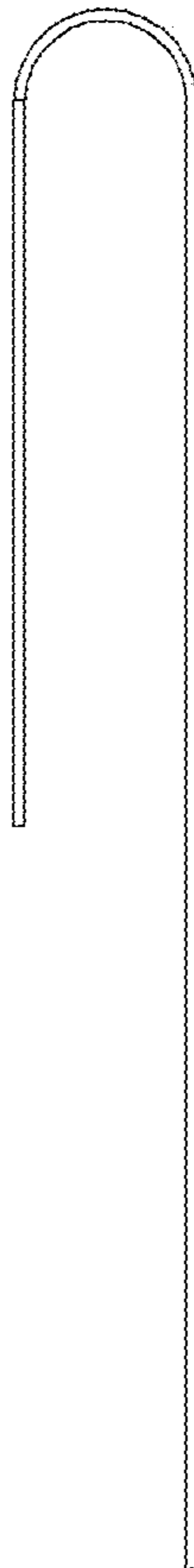


FIG. 5

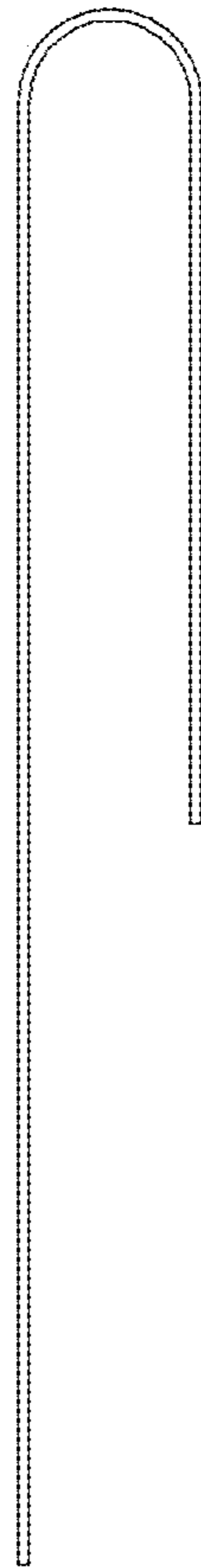


FIG. 6

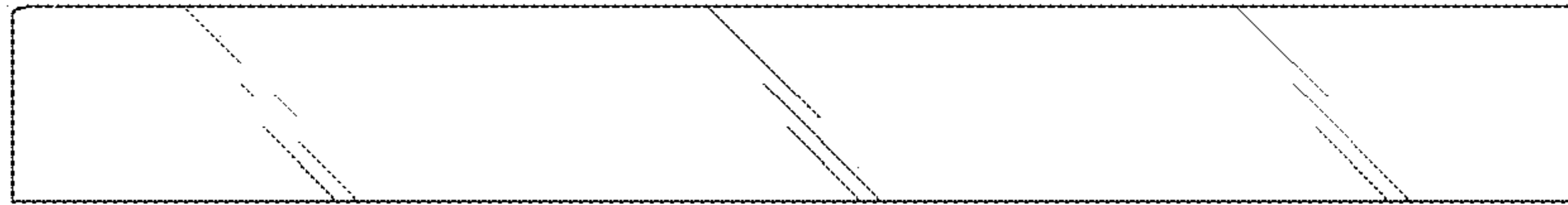


FIG. 7

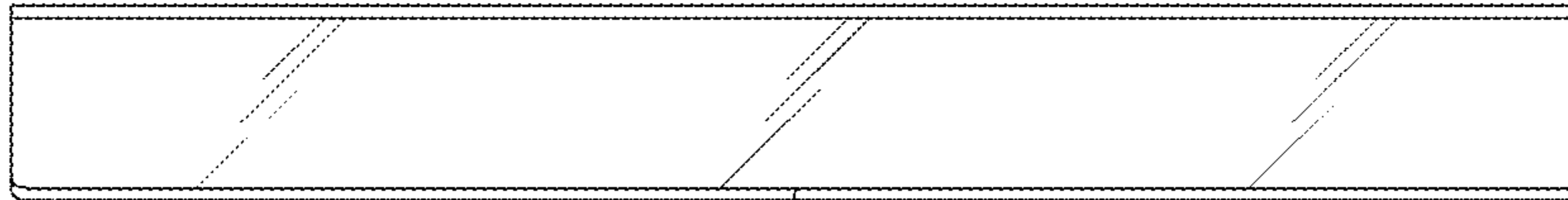


FIG. 8

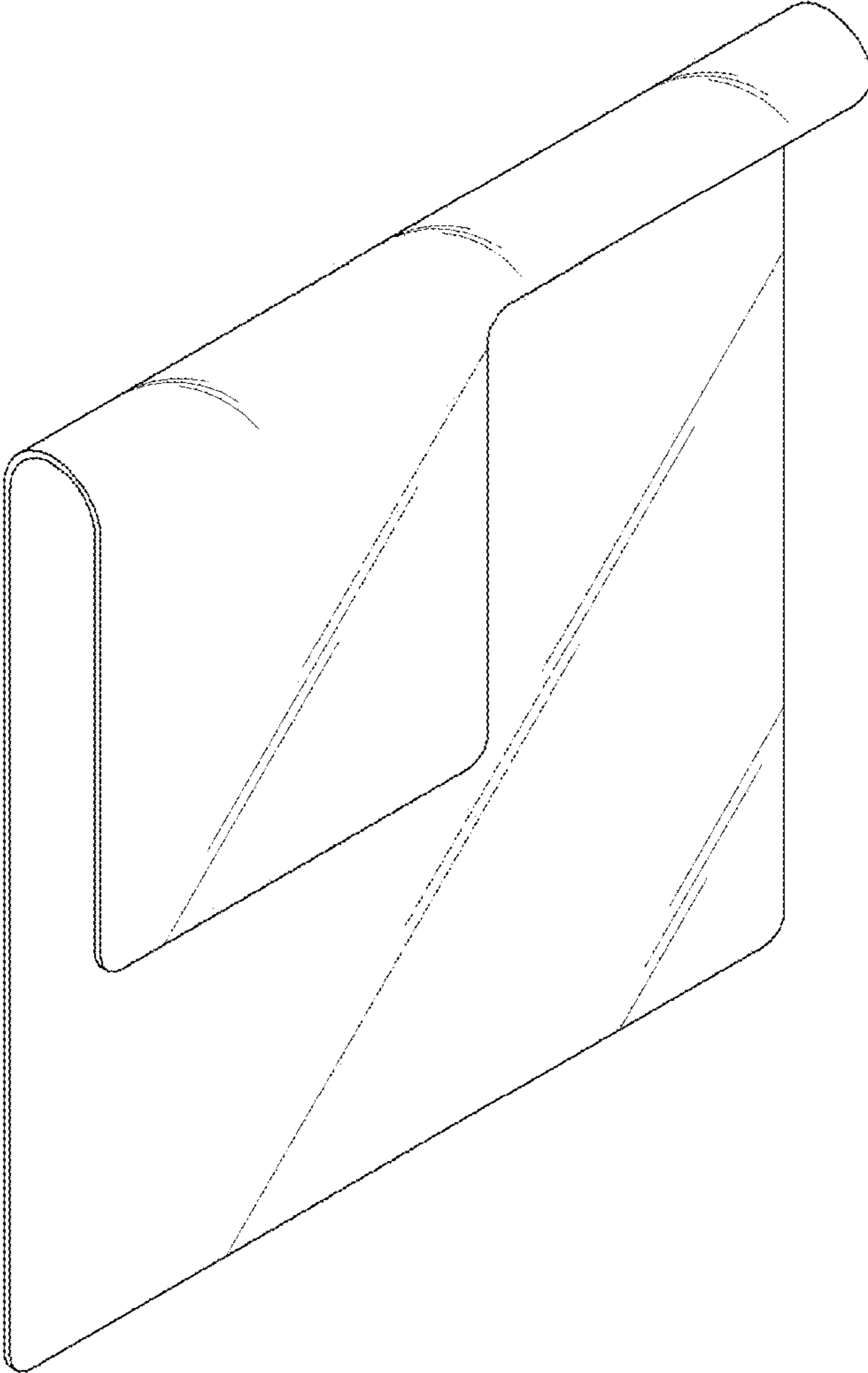


FIG. 9

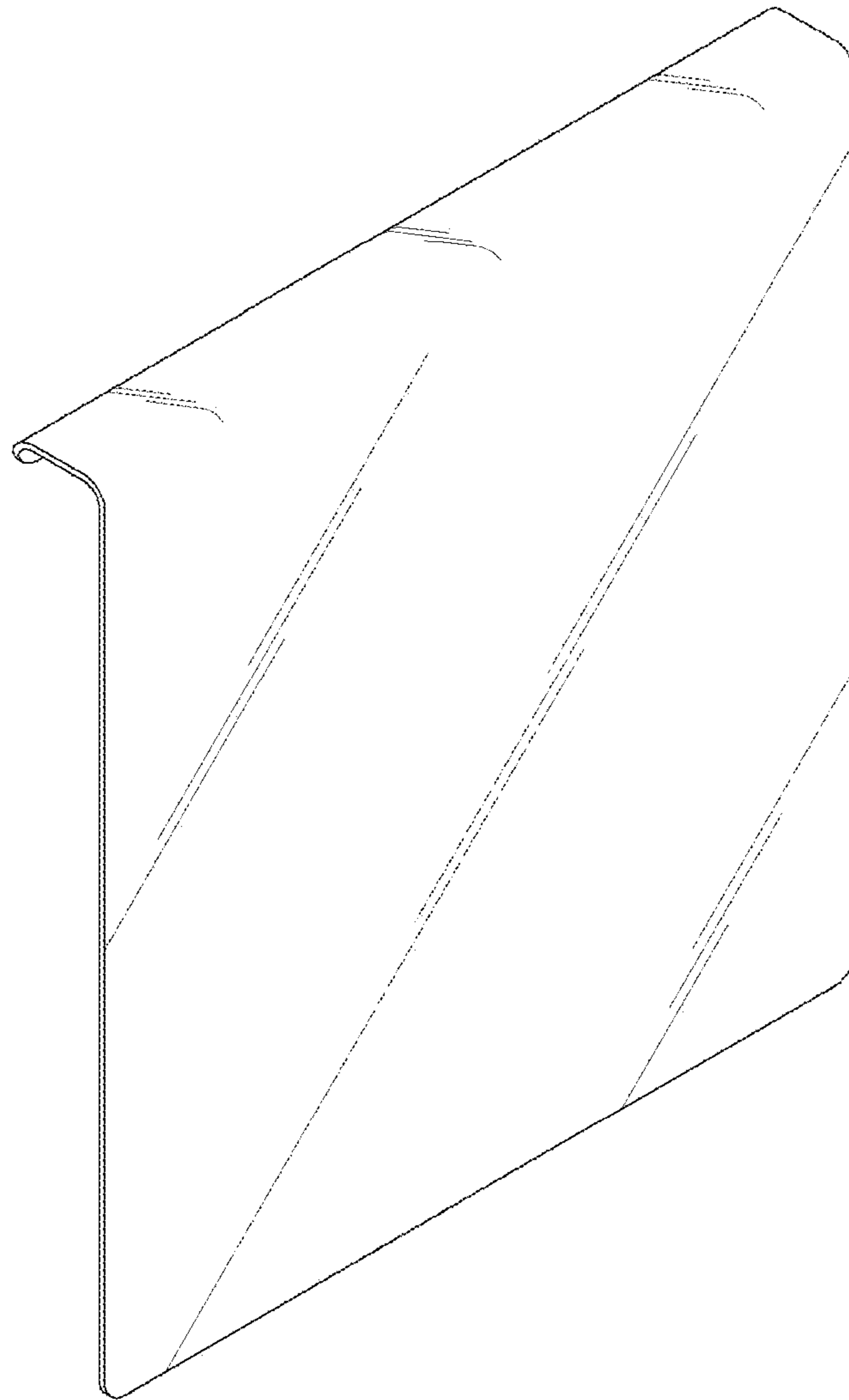


FIG. 10

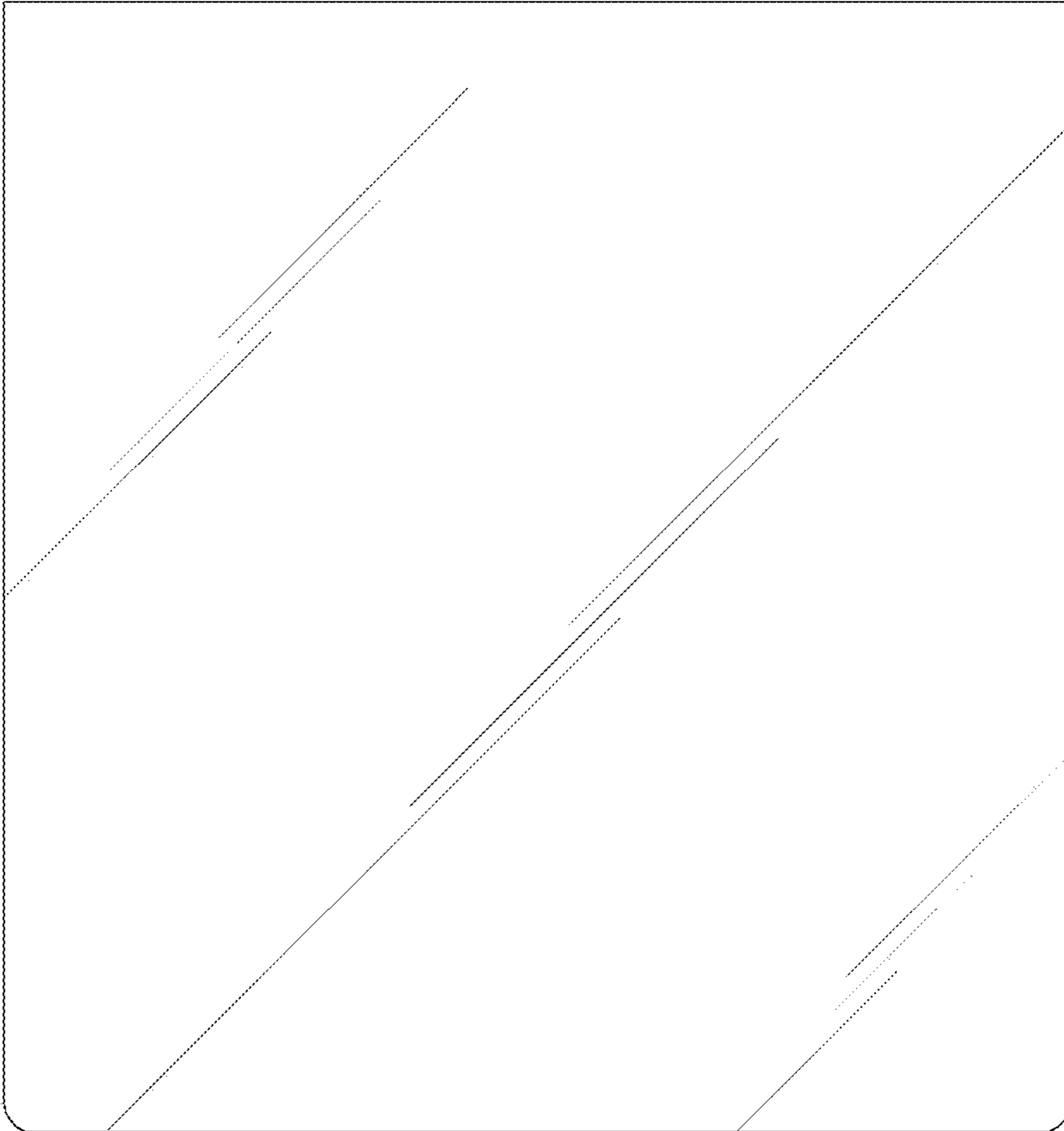


FIG. 11

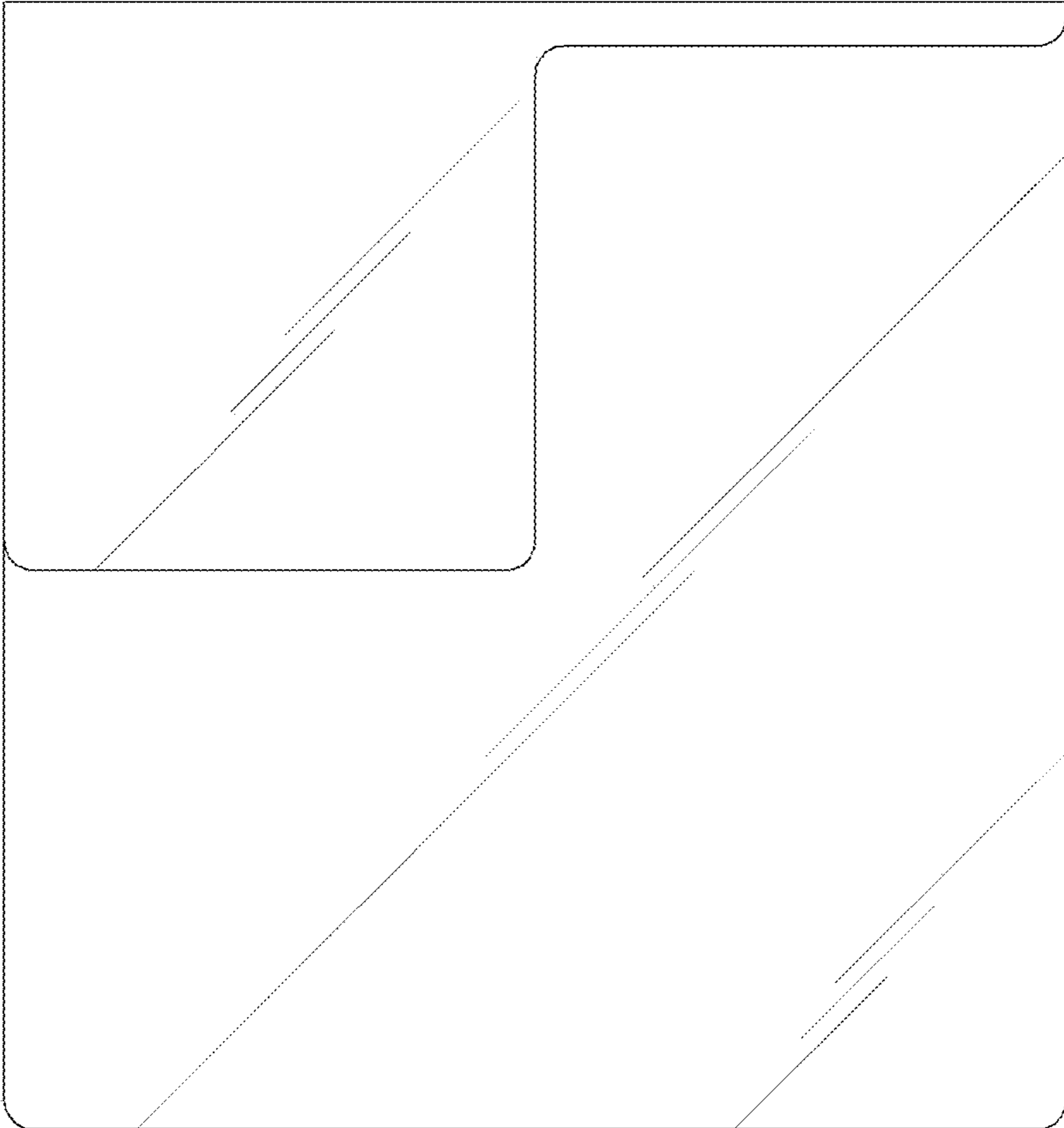


FIG. 12



FIG. 13



FIG. 14

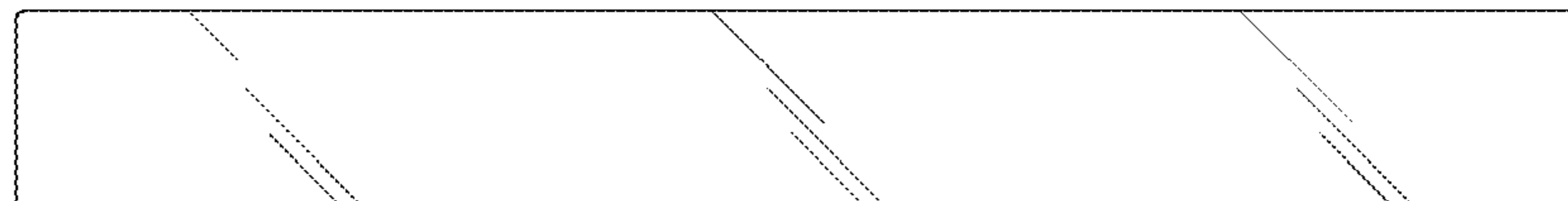


FIG. 15

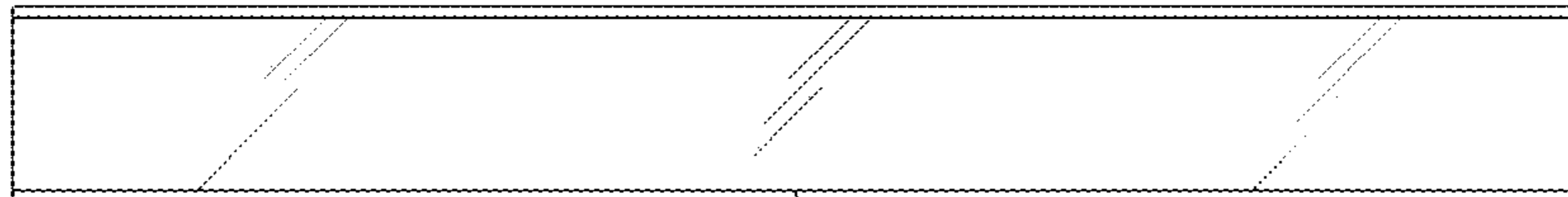


FIG. 16

