



US00D981381S

(12) **United States Design Patent** (10) **Patent No.:** **US D981,381 S**
Miller et al. (45) **Date of Patent:** **** Mar. 21, 2023**

(54) **PEDESTAL**
(71) Applicant: **Sensormatic Electronics, LLC**, Boca Raton, FL (US)
(72) Inventors: **Channing Miller**, Fort Lauderdale, FL (US); **Sergio M. Perez**, Lake Worth, FL (US)
(73) Assignee: **SENSORMATIC ELECTRONICS, LLC**, Boca Raton, FL (US)
(**) Term: **15 Years**
(21) Appl. No.: **29/748,215**
(22) Filed: **Aug. 27, 2020**
(51) **LOC (14) Cl.** **14-03**
(52) **U.S. Cl.**
USPC **D14/238**
(58) **Field of Classification Search**
USPC D14/155, 238, 230, 265; D10/106.6, D10/106.9; D8/349, 353, 354, 373; D9/415
CPC H01Q 13/10; H01Q 13/38; H01Q 13/36
See application file for complete search history.

D400,886 S * 11/1998 Guttadauro D14/230
D400,887 S * 11/1998 Guttadauro D14/230
D401,243 S * 11/1998 Guttadauro D14/230
D401,595 S * 11/1998 Guttadauro D14/230
D405,090 S * 2/1999 Guttadauro D14/230
D405,091 S * 2/1999 Guttadauro D14/230
D421,402 S * 3/2000 Solenthaler D14/230
D425,903 S * 5/2000 Whitaker D25/16
D471,181 S * 3/2003 Haberstick D14/230
D473,219 S * 4/2003 Raymond D14/230

(Continued)

Primary Examiner — Khawaja Anwar
Assistant Examiner — Megan Tiana Rakos
(74) *Attorney, Agent, or Firm* — ArentFox Schiff LLP

(57) **CLAIM**

The ornamental design for a pedestal, as shown and described.

DESCRIPTION

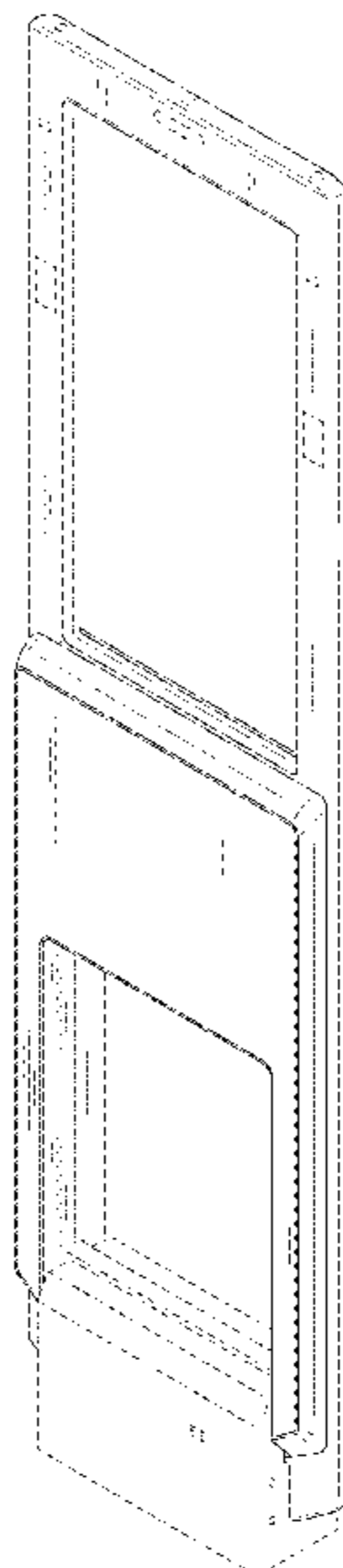
FIG. 1 is a perspective view of a first embodiment of a pedestal showing our new design;
FIG. 2 is a front view of the design shown in FIG. 1;
FIG. 3 is a rear view of the design shown in FIG. 1;
FIG. 4 is a right side view of the design shown in FIG. 1;
FIG. 5 is a left side view of the design shown in FIG. 1;
FIG. 6 is a top view of the design shown in FIG. 1;
FIG. 7 is a bottom view of the design shown in FIG. 1;
FIG. 8 is a front right perspective view of a second embodiment of a pedestal showing our new design;
FIG. 9 is a front view of the design shown in FIG. 8;
FIG. 10 is a rear view of the design shown in FIG. 8;
FIG. 11 is a right side view of the design shown in FIG. 8;
FIG. 12 is a left side view of the design shown in FIG. 8;
FIG. 13 is a top view of the design shown in FIG. 8; and,
FIG. 14 is a bottom view of the design shown in FIG. 8.
The broken lines shown in the figures are included for the purpose of illustrating portions of the pedestal and form no part of the claimed design.

(56) **References Cited**

U.S. PATENT DOCUMENTS

D246,082 S * 10/1977 Friedrich D6/332
D269,859 S * 7/1983 Paladini D10/121
D305,308 S * 1/1990 Adams D10/104.1
D318,247 S * 7/1991 Shandelman D10/106.1
D330,683 S * 11/1992 Green D10/106.1
D344,731 S * 3/1994 Witzky D14/230
D350,963 S * 9/1994 Witzky D14/230
D354,060 S * 1/1995 Witzky D14/230
D355,483 S * 2/1995 Litvin D23/382
D379,356 S * 5/1997 Liu D14/230
D398,610 S * 9/1998 Read D14/230
D398,611 S * 9/1998 Read D14/230

1 Claim, 14 Drawing Sheets



(56)

References Cited

U.S. PATENT DOCUMENTS

D480,388 S *	10/2003	Spelman	D14/230
D517,041 S *	3/2006	Harris, Jr.	D14/168
D542,601 S *	5/2007	Ben-Shlomo	D14/230
D654,727 S *	2/2012	Shea	D6/682.2
D664,127 S *	7/2012	Yang	D14/230
D683,720 S *	6/2013	Quinlan	D14/230
9,461,354 B2 *	10/2016	Günter	H01Q 7/00
D783,005 S *	4/2017	Perez	D14/230
D920,296 S *	5/2021	Perez	D14/230
D951,760 S *	5/2022	Hsieh	D9/415
D961,559 S *	8/2022	Perez	D14/230
11,461,810 B2 *	10/2022	Fernandez	G08B 13/248

* cited by examiner

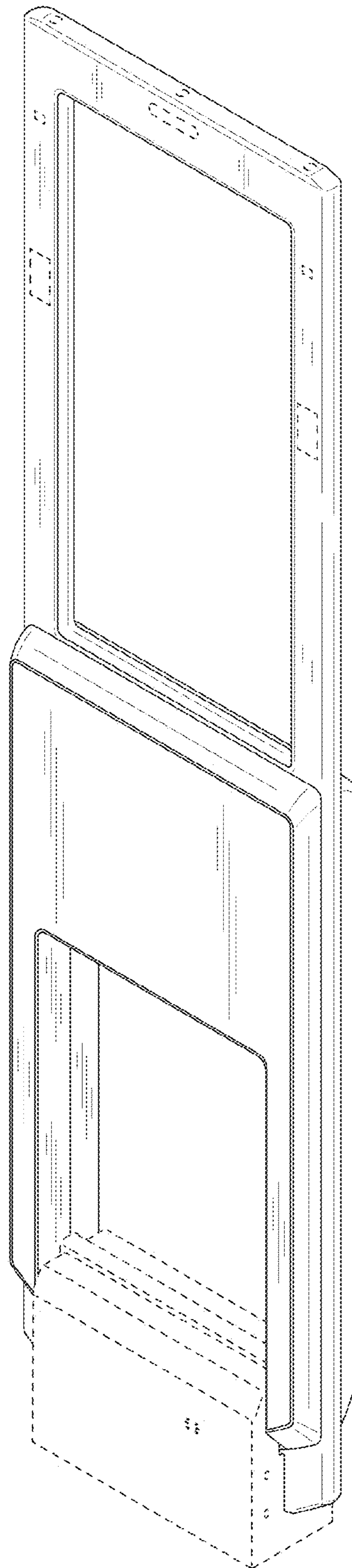


FIG. 1

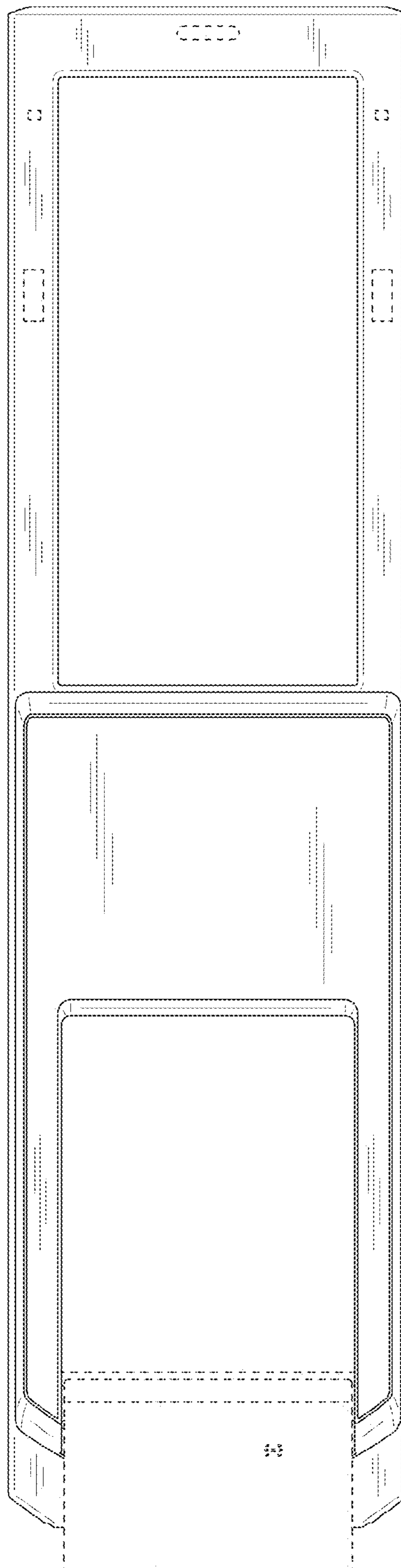


FIG. 2

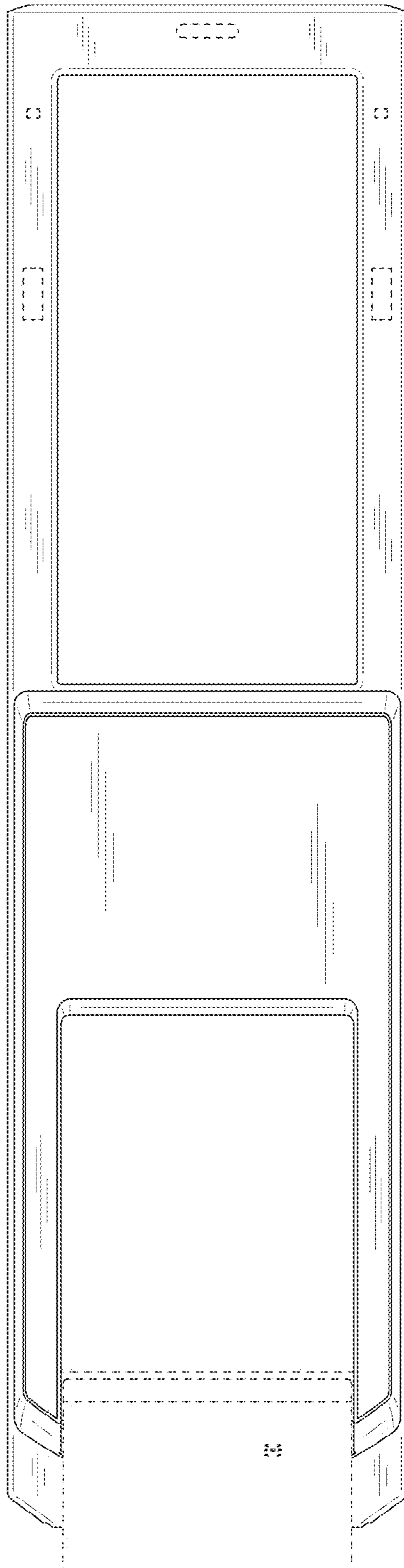


FIG. 3

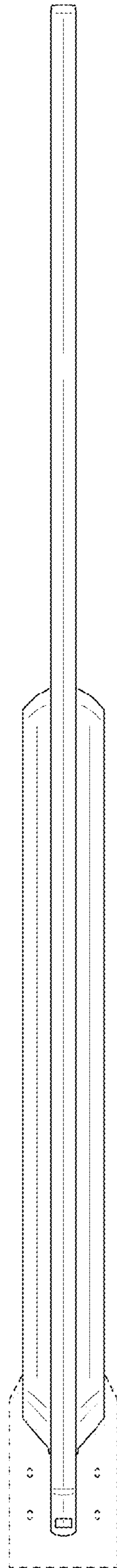


FIG. 4

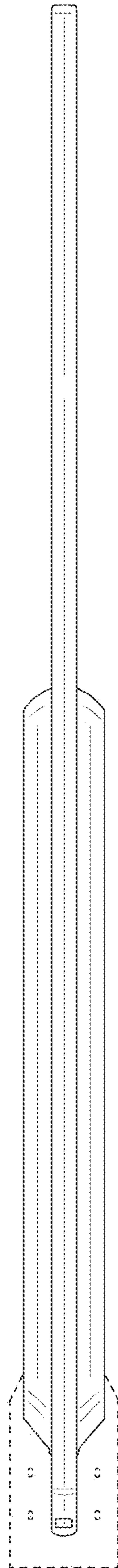


FIG. 5

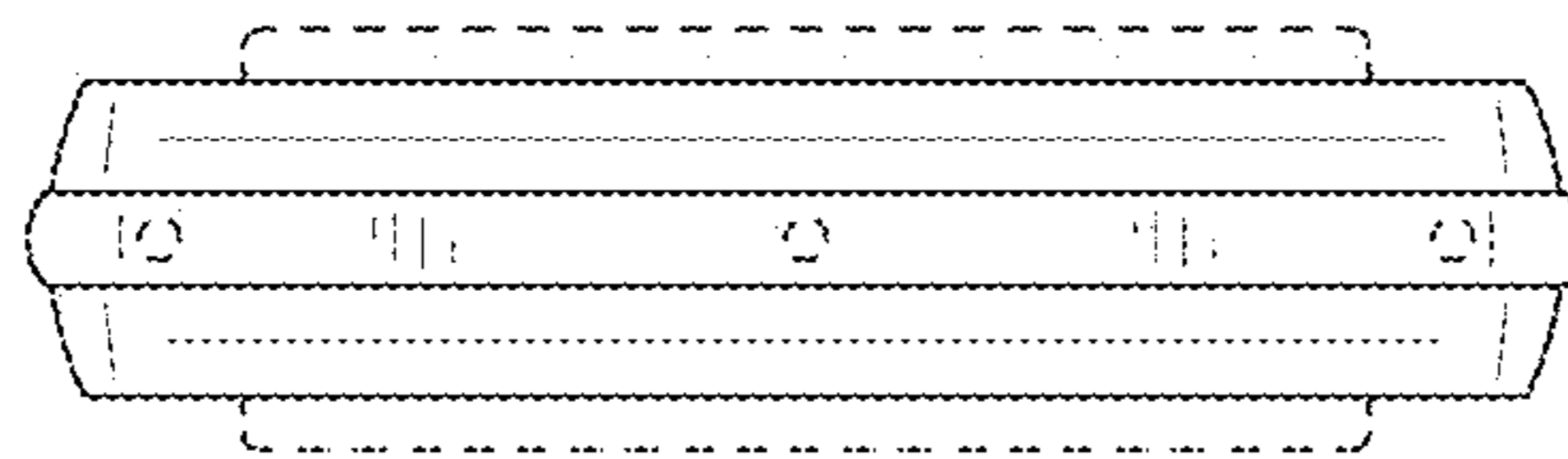


FIG. 6



FIG. 7

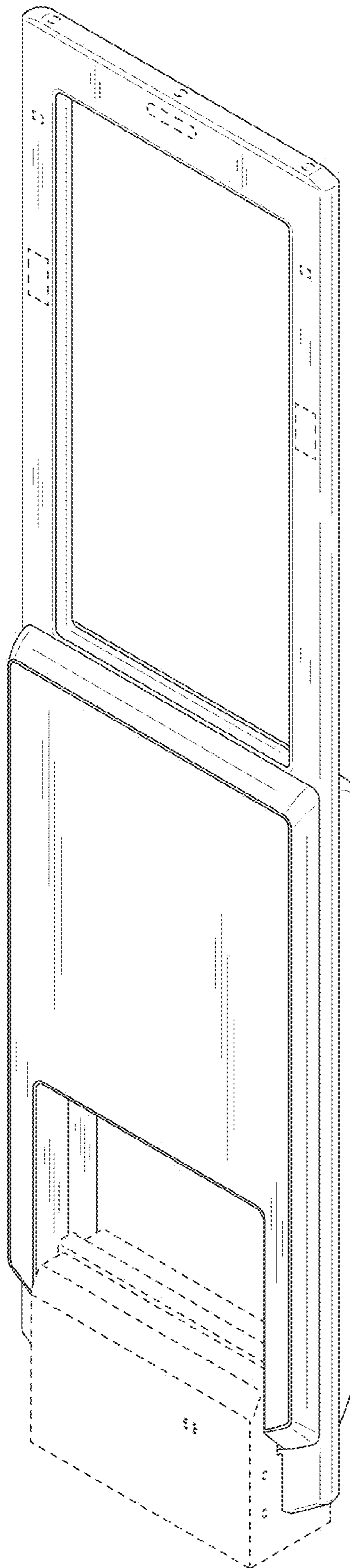


FIG. 8

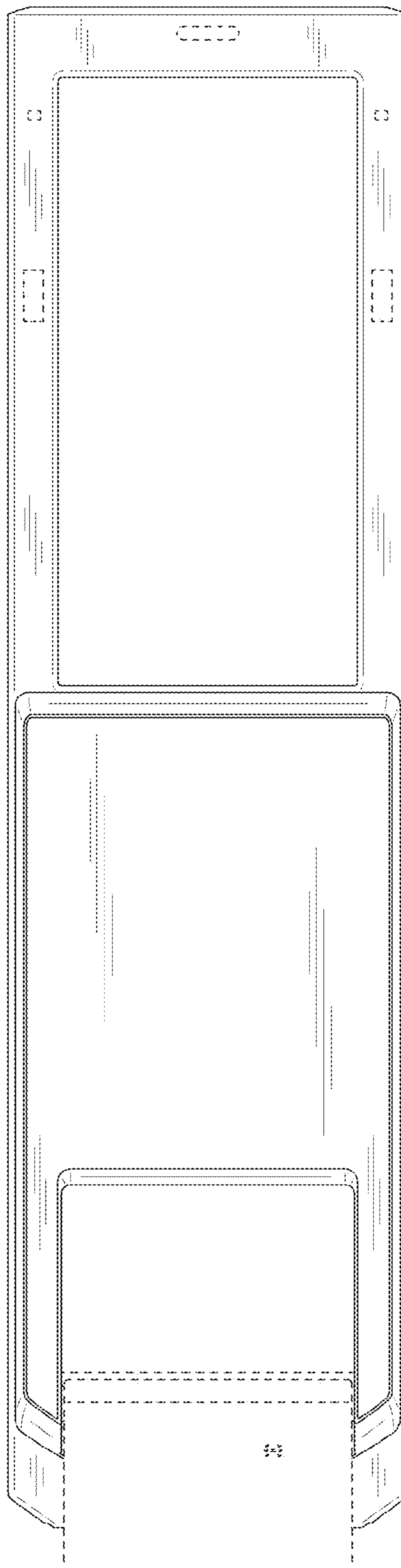


FIG. 9

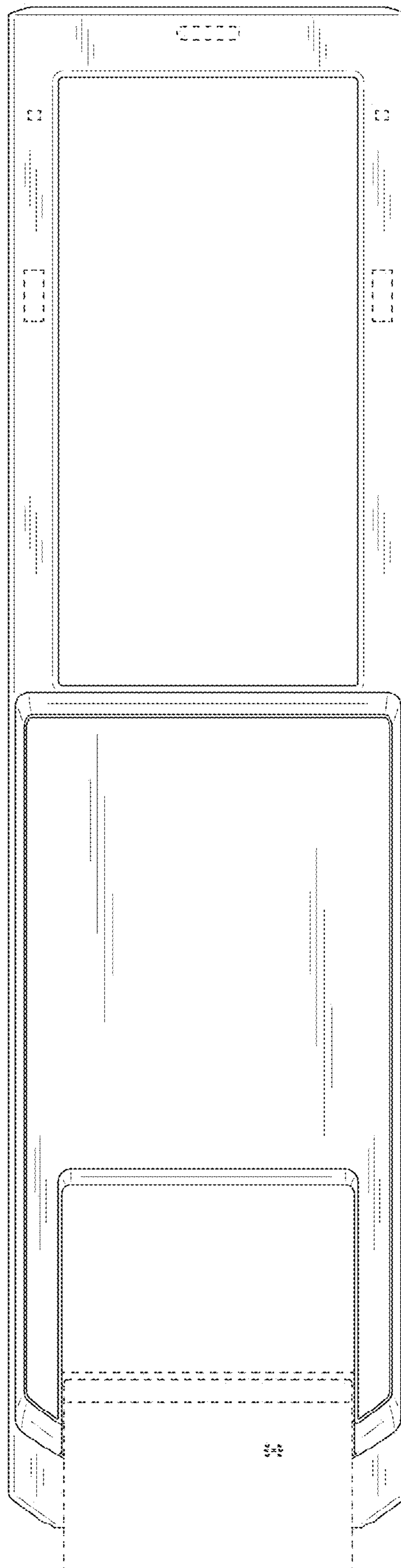


FIG. 10

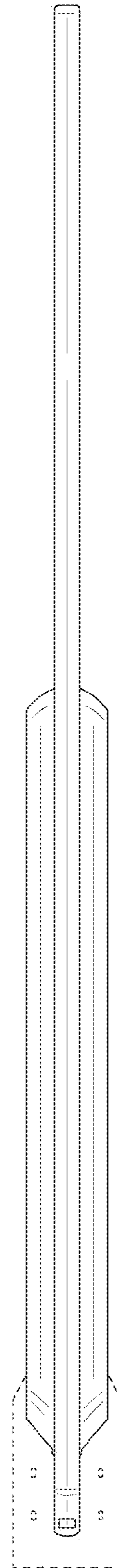


FIG. 11

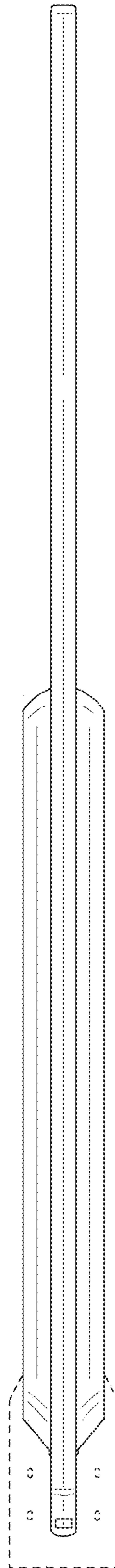


FIG. 12

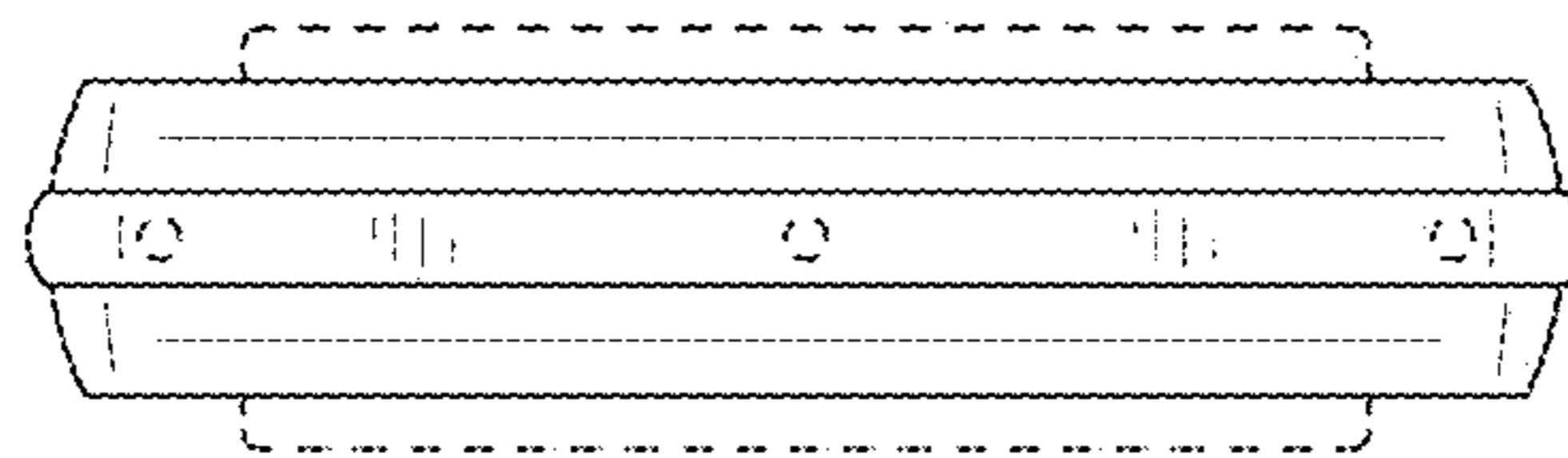


FIG. 13



FIG. 14