



US00D981380S

(12) **United States Design Patent**
Kim et al.

(10) **Patent No.: US D981,380 S**
(45) **Date of Patent: ** Mar. 21, 2023**

(54) **SET OF RFID ANTENNA AND PROTECTIVE COVER**

FOREIGN PATENT DOCUMENTS

(71) Applicant: **XERAFY INC.**, Wilmington, DE (US)

CN 203967244 U * 11/2014
WO WO-2010052375 A1 * 5/2010 G06K 19/04
(Continued)

(72) Inventors: **Youngdo Kim**, Shanghai (CN);
Shujuan Li, Shanghai (CN)

Primary Examiner — John R Yeh

(73) Assignee: **XERAFY INC.**, Wilmington, DE (US)

(57) **CLAIM**

(**) Term: **15 Years**

The ornamental design for a set of RFID antenna and protective cover, as shown and described.

(21) Appl. No.: **35/512,318**

DESCRIPTION

(22) Filed: **Jun. 25, 2021**

(80) **Hague Agreement Data**

Int. Filing Date: **Jun. 25, 2021**
Int. Reg. No.: **DM/215549**
Int. Reg. Date: **Jun. 25, 2021**
Int. Reg. Pub. Date: **Aug. 6, 2021**

1. Set of RFID antenna and protective cover
 - 1.1: Front view of the protective cover
 - 1.2: Back view of the protective cover
 - 1.3: Left view of the protective cover
 - 1.4: Right view of the protective cover
 - 1.5: Top view of the protective cover
 - 1.6: Bottom view of the protective cover
 - 1.7: Perspective view of the protective cover
 - 1.8: Perspective view of the protective cover
 - 1.9: Front view of the RFID antenna
 - 1.10: Back view of the RFID antenna
 - 1.11: Left view of the RFID antenna
 - 1.12: Right view of the RFID antenna
 - 1.13: Top view of the RFID antenna
 - 1.14: Bottom view of the RFID antenna
 - 1.15: Perspective view of the RFID antenna
 - 1.16: Perspective view of the RFID antenna
 - 1.17: Enlarged view of the RFID antenna
 - 1.18: Enlarged view of the RFID antenna
 - 1.19: Exploded
 - 1.20: Exploded
 - 1.21: Exploded
- The brackets of reproductions 1.19 to 1.21 are only to represent exploded views and form no part of the claimed designs; the circles in dot-dashed lines, the index lines and the numbers '17' and '18' are only to represent enlarged parts and form no part of the claimed designs.

(51) **LOC (14) Cl.** **14-03**

(52) **U.S. Cl.**
USPC **D14/230**

(58) **Field of Classification Search**
USPC D14/230
CPC H01Q 9/285; H01Q 9/26; G06K 19/07749
See application file for complete search history.

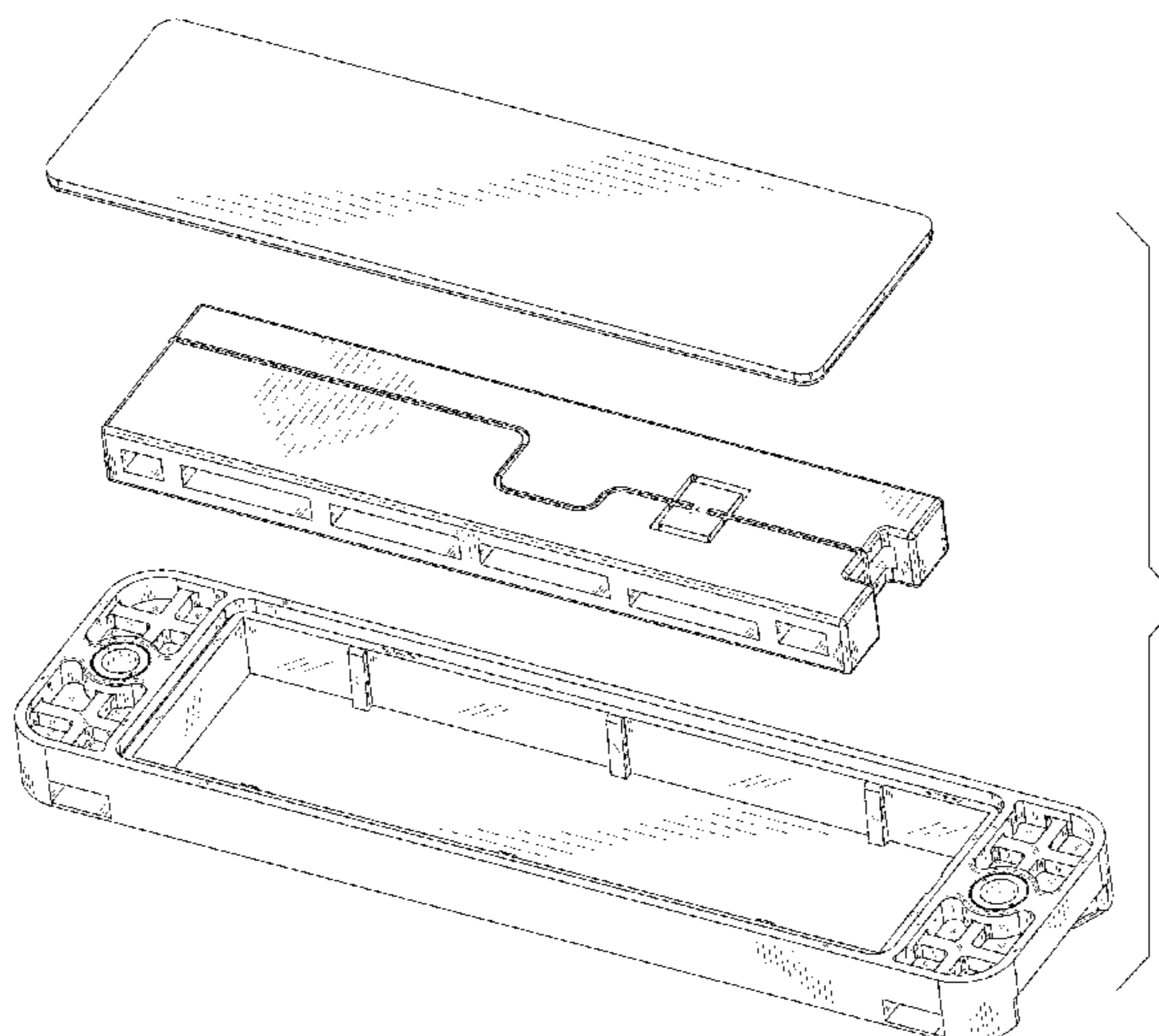
(56) **References Cited**

U.S. PATENT DOCUMENTS

D530,707 S	*	10/2006	Chen	D14/230
D583,364 S	*	12/2008	Ito	D14/230
D585,054 S	*	1/2009	Hsiao	D14/230
D622,713 S	*	8/2010	Chung	D14/242
D704,169 S	*	5/2014	Forster	D14/230
D707,663 S	*	6/2014	Podduturi	D14/230
D780,723 S	*	3/2017	Gosalia	D14/230
D816,642 S	*	5/2018	Pars Benli	D14/230
D822,648 S	*	7/2018	Gosalia	D14/230
D859,375 S	*	9/2019	Gosalia	D14/230
D880,461 S	*	4/2020	Ushijima	D14/230

(Continued)

1 Claim, 12 Drawing Sheets



(56)

References Cited

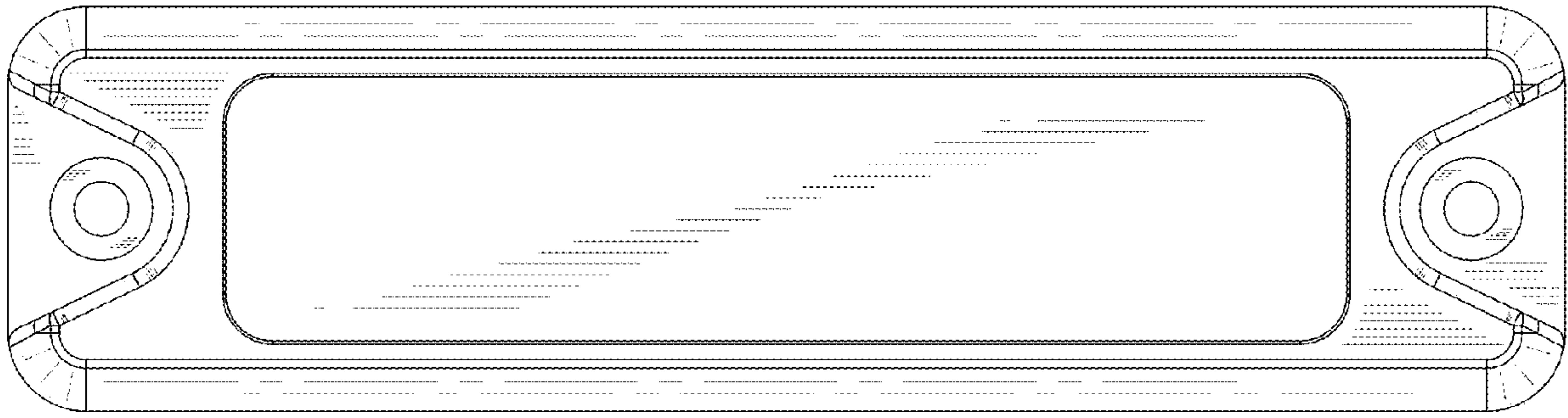
U.S. PATENT DOCUMENTS

D949,132 S * 4/2022 Cong D14/230
D956,729 S * 7/2022 Goto D14/230
D957,369 S * 7/2022 Shimada D14/230
2007/0069037 A1* 3/2007 Kawai G06K 19/07749
235/492
2010/0117833 A1* 5/2010 Kai G06K 19/07767
340/572.1
2011/0057043 A1* 3/2011 Weakley H01Q 9/285
235/492
2011/0291906 A1* 12/2011 Hsu H01Q 9/285
343/803
2012/0038445 A1* 2/2012 Finn G06K 19/07783
336/105
2020/0026974 A1* 1/2020 Chuang G06K 19/07749
2021/0036399 A1* 2/2021 Zhu H01Q 1/12
2021/0083358 A1* 3/2021 Shao H01Q 1/12

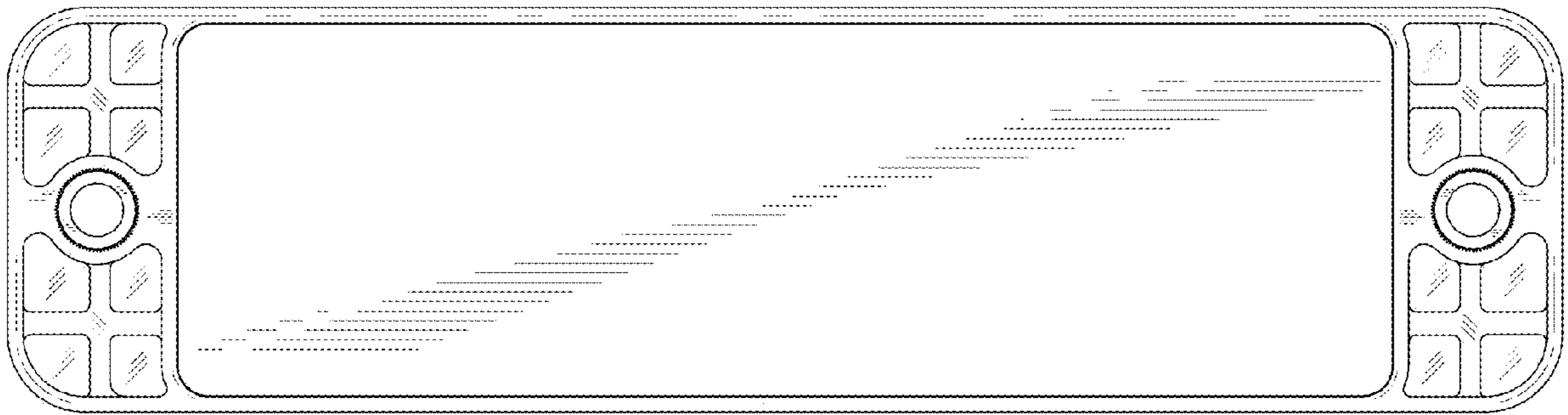
FOREIGN PATENT DOCUMENTS

WO WO-2012036156 A1 * 3/2012 B32B 29/005
WO WO D215549-001 * 8/2021
WO WO D215549-002 * 8/2021

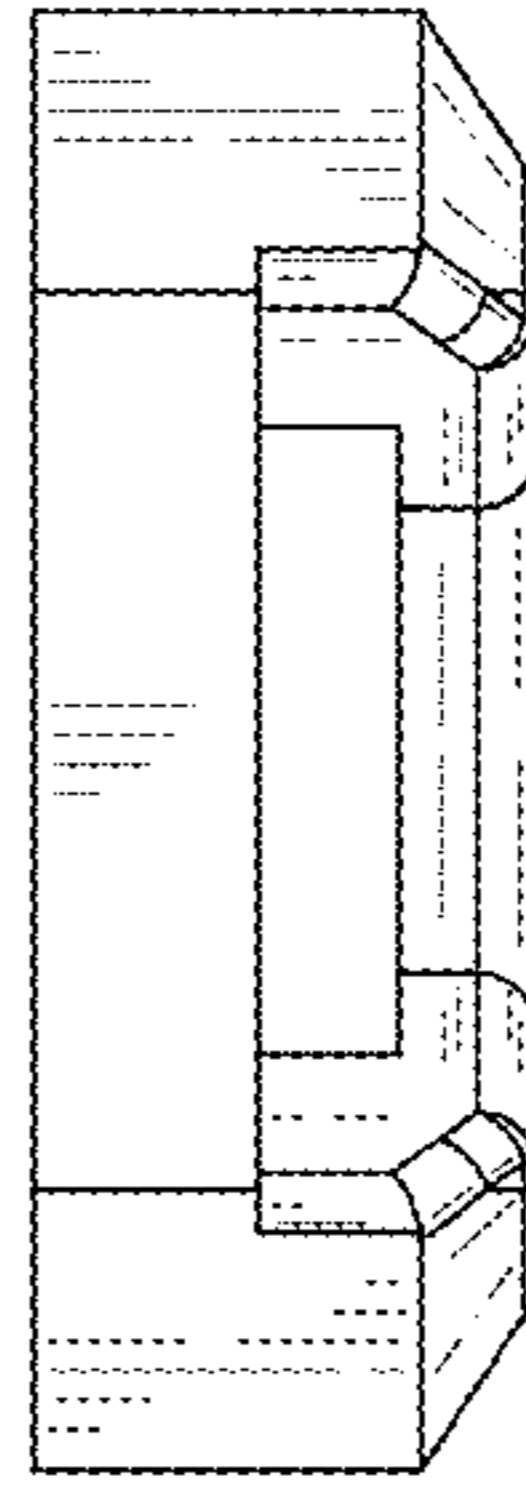
* cited by examiner



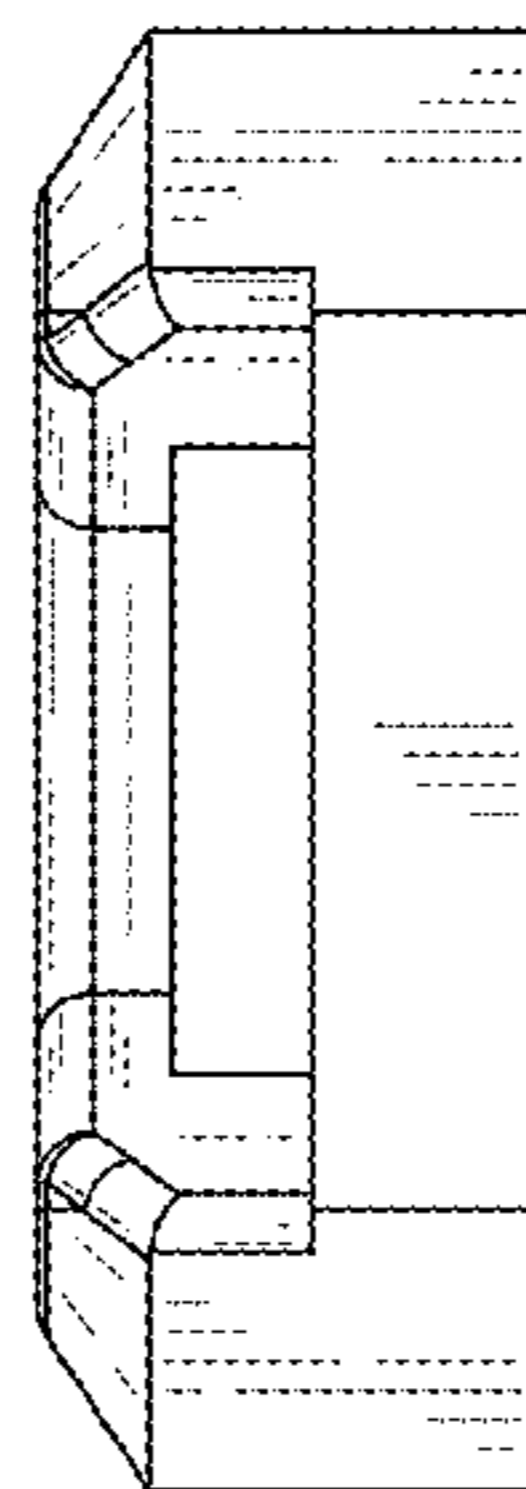
1.1



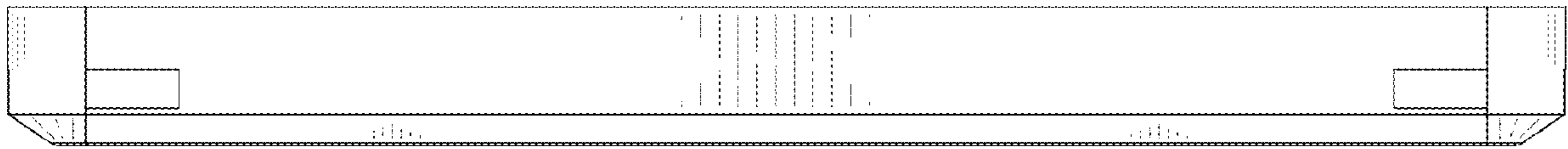
1.2



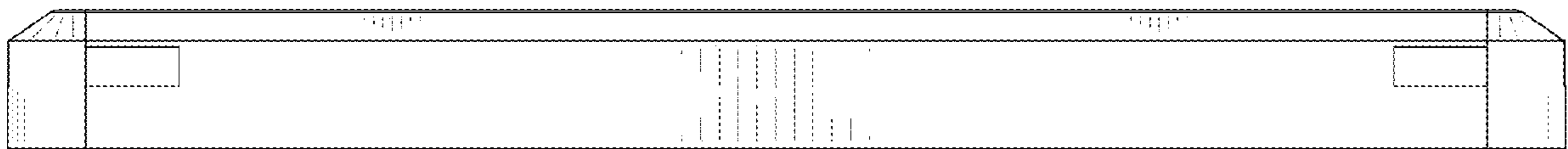
1.3



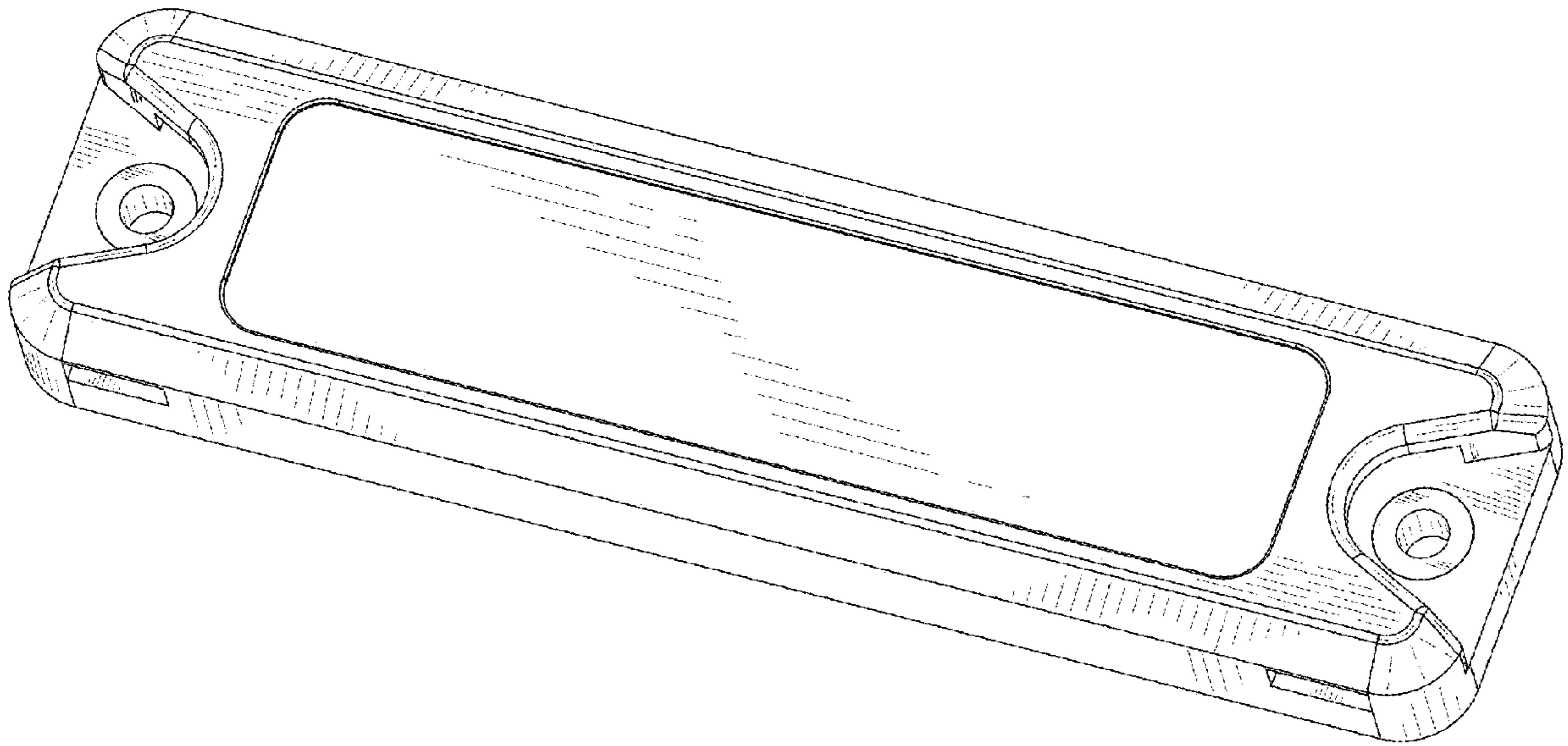
1.4



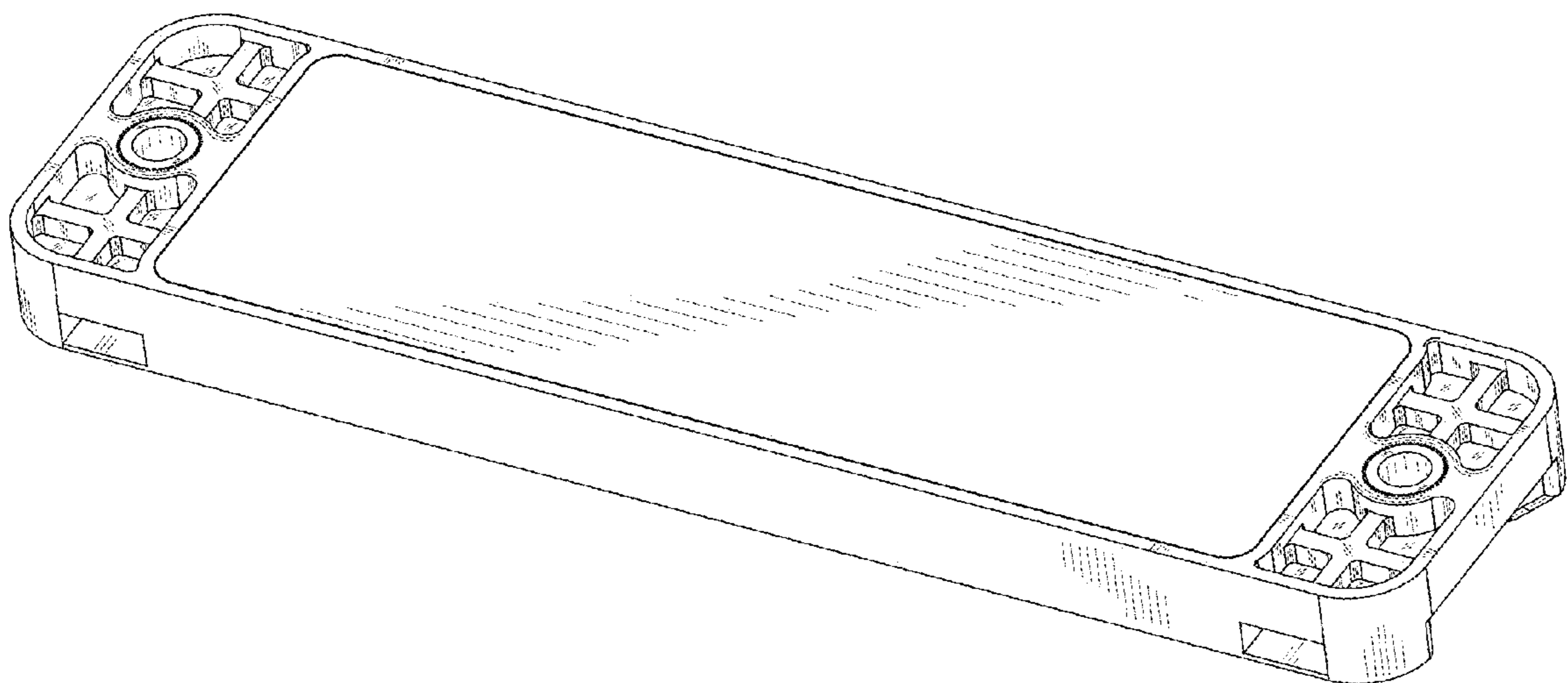
1.5



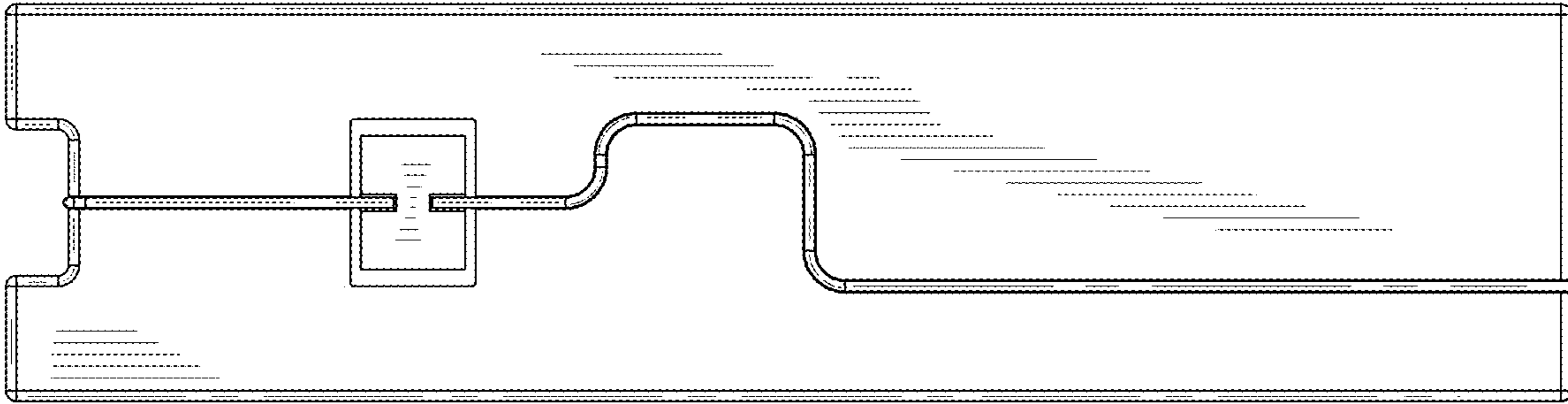
1.6



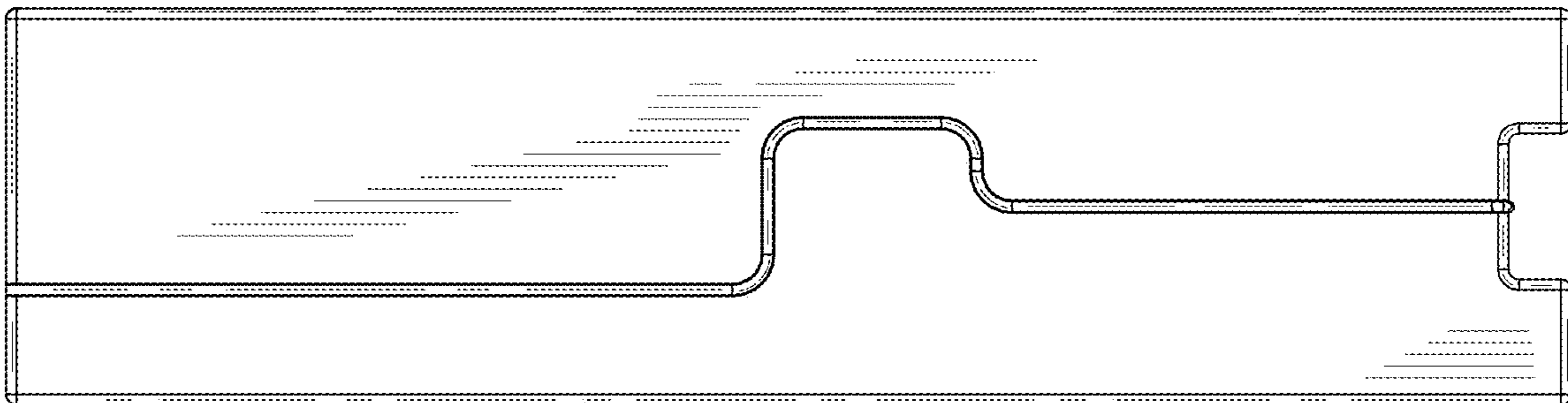
1.7



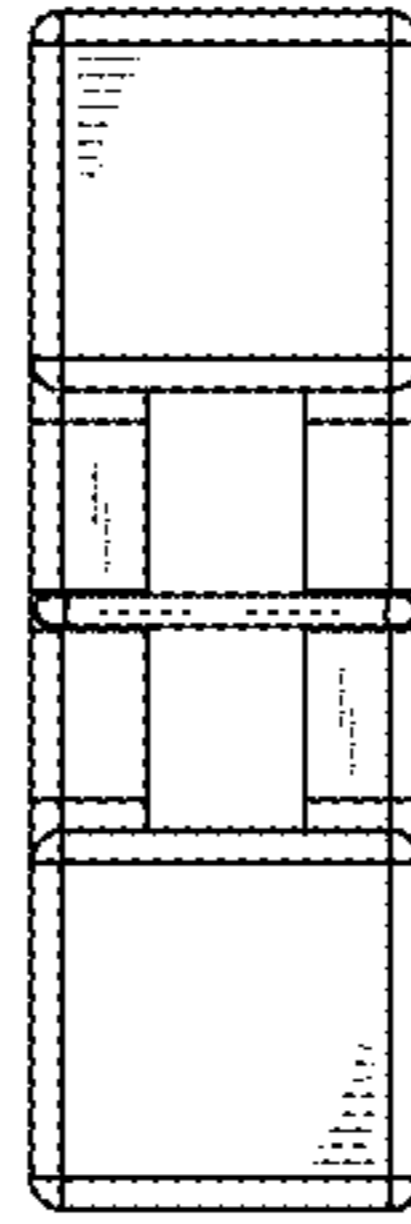
1.8



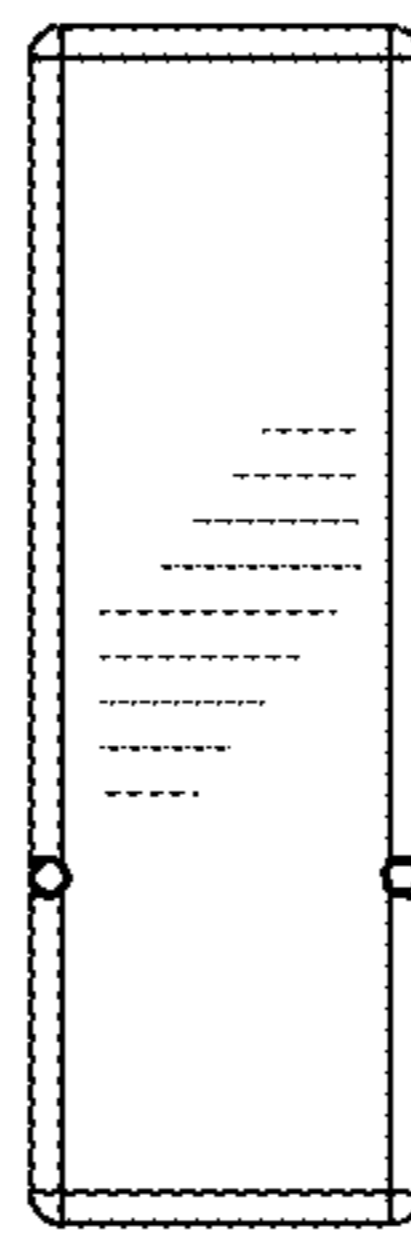
1.9



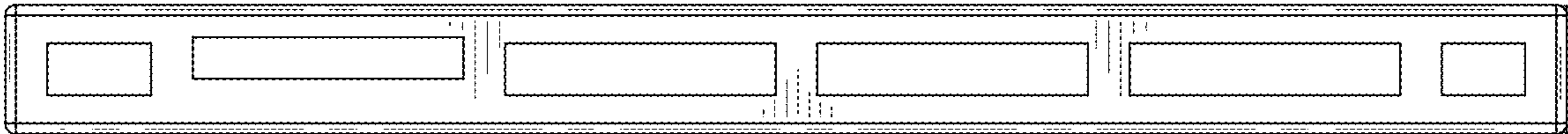
1.10



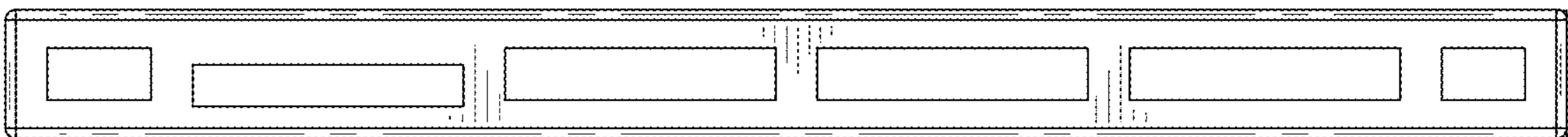
1. 11



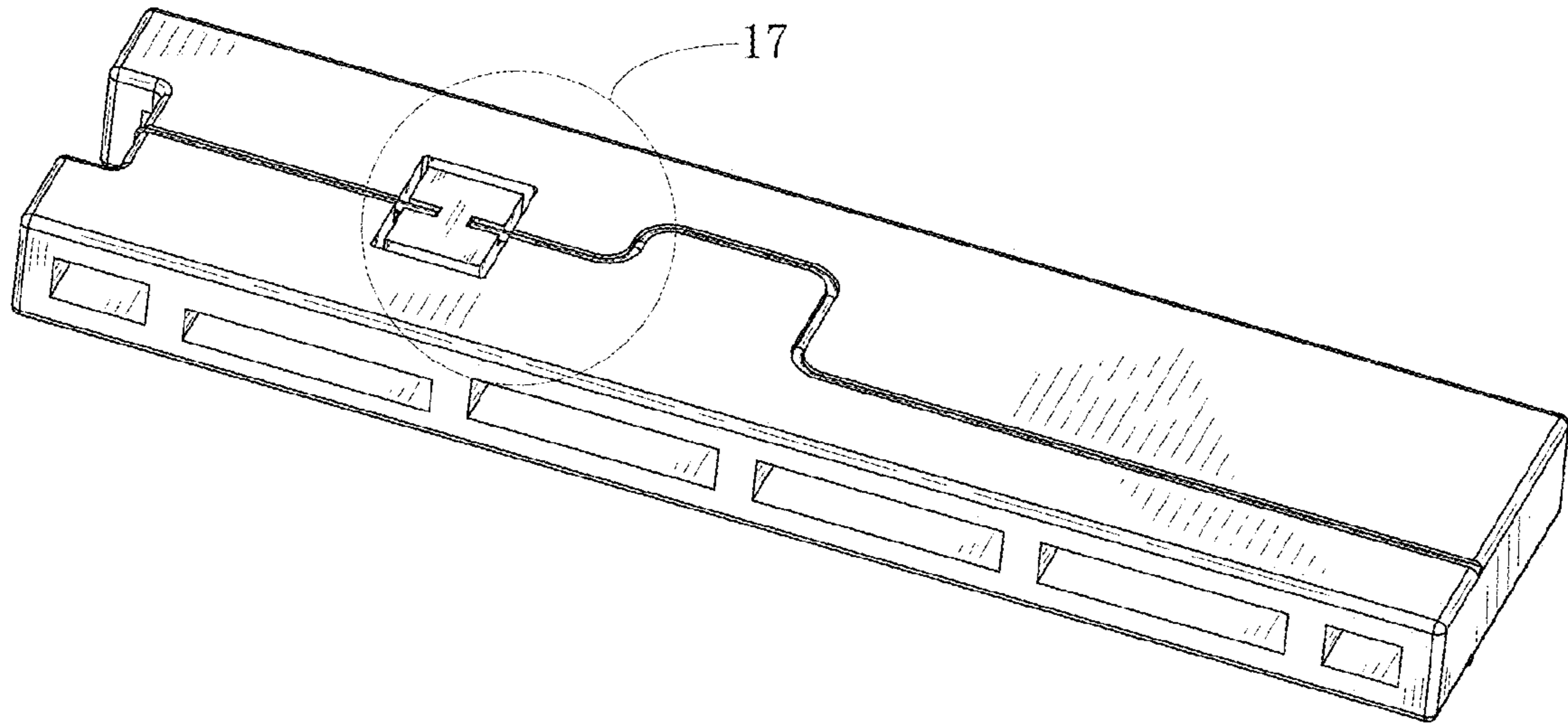
1. 12



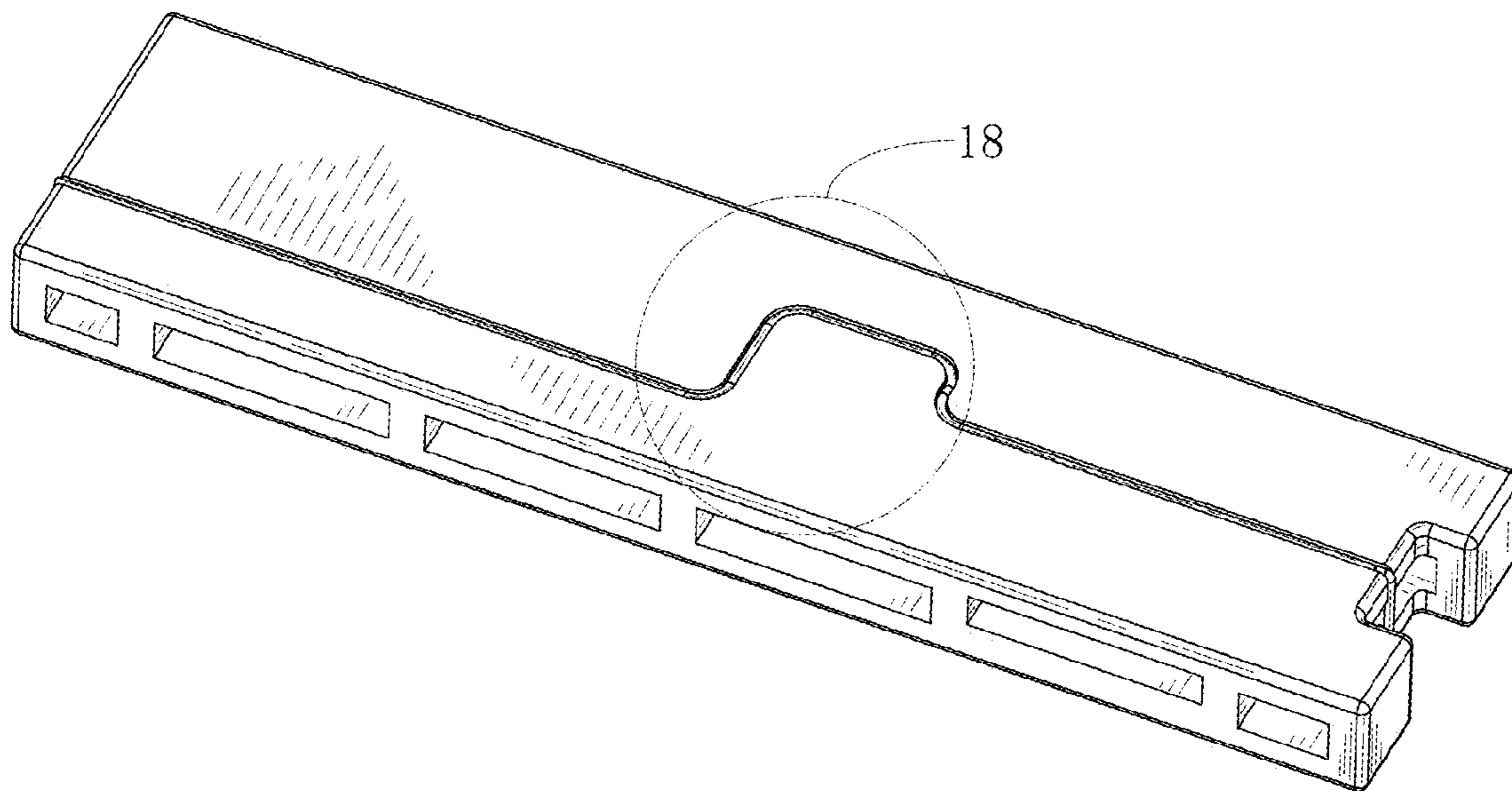
1. 13



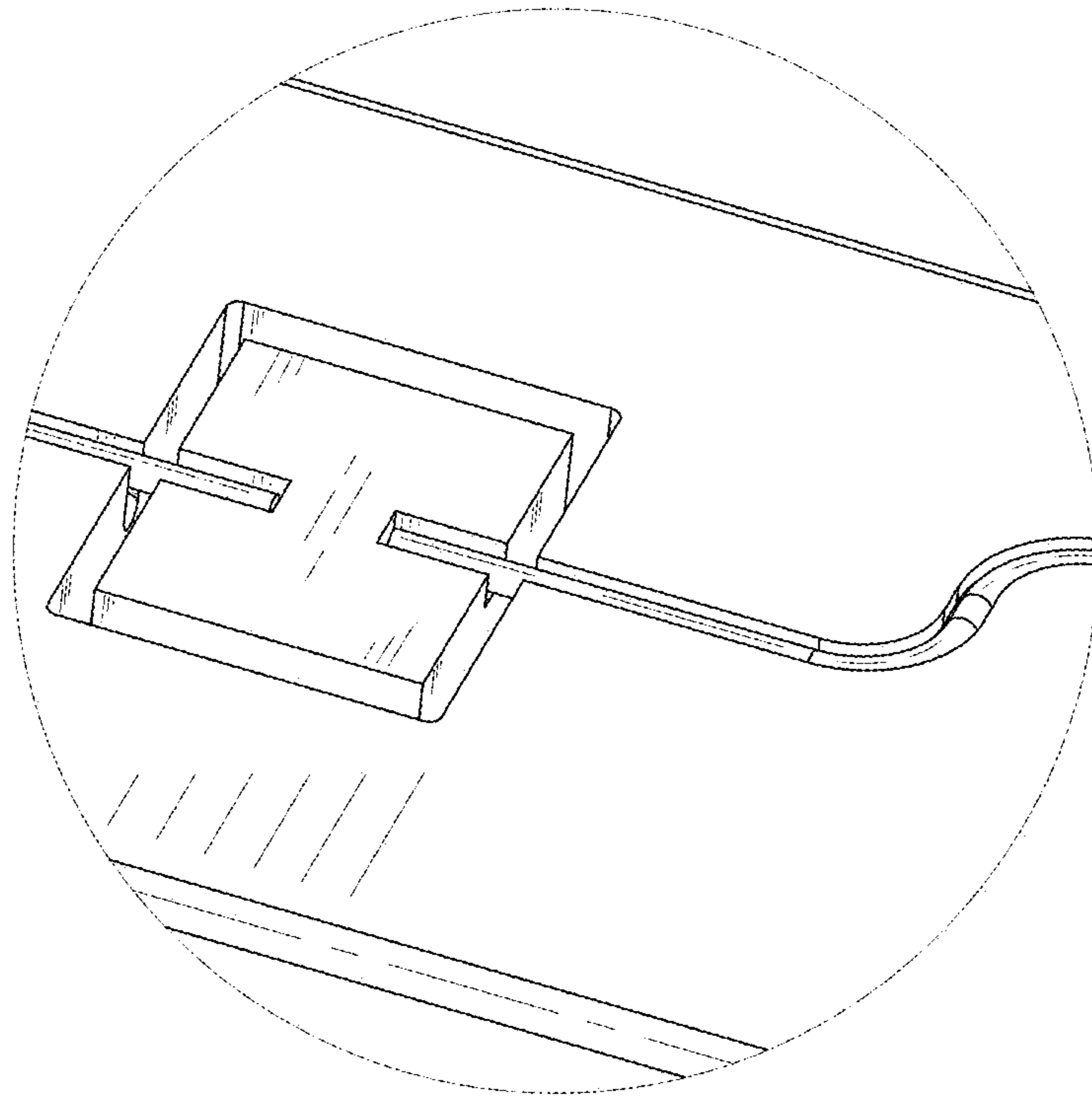
1. 14



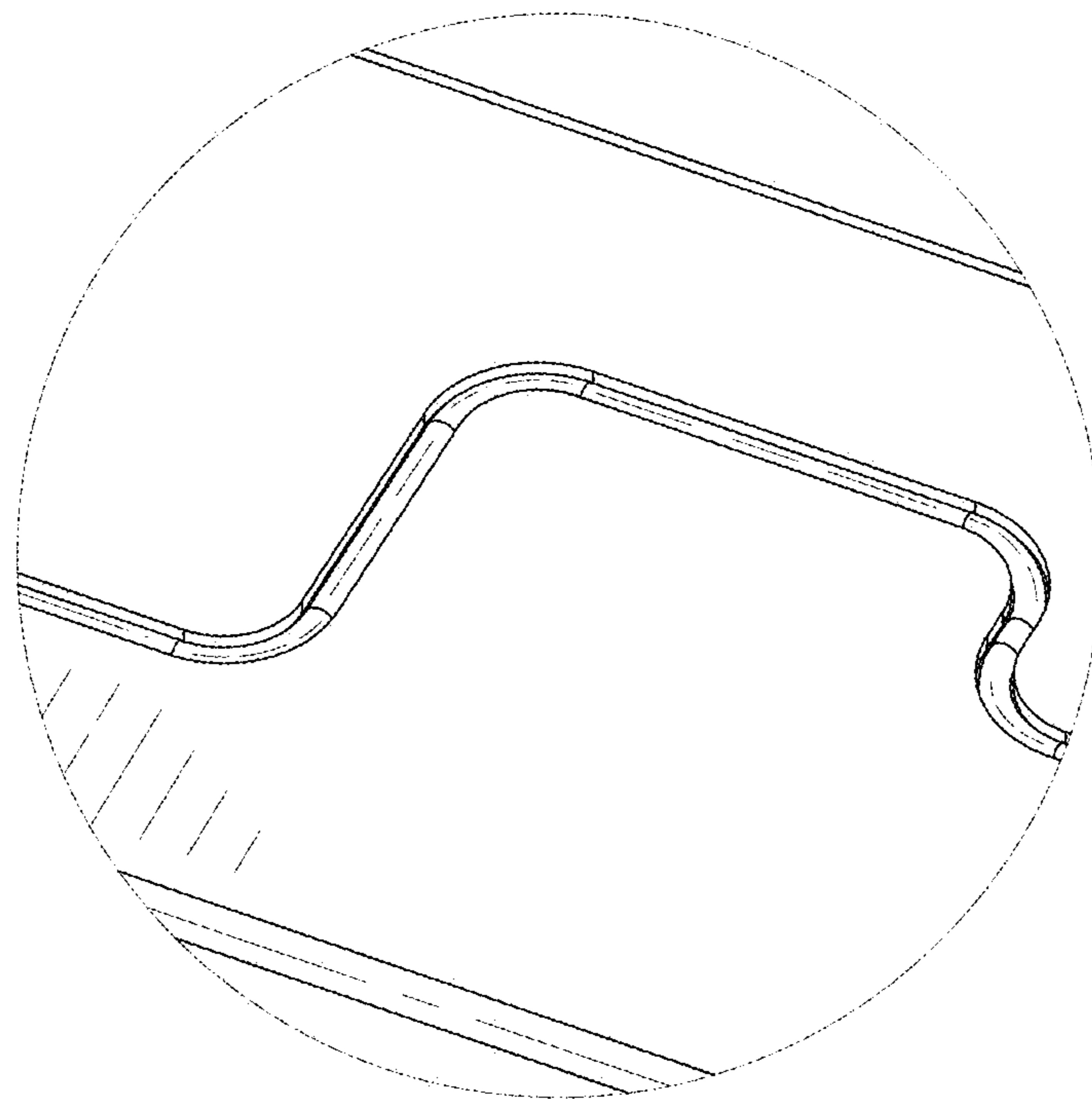
1. 15



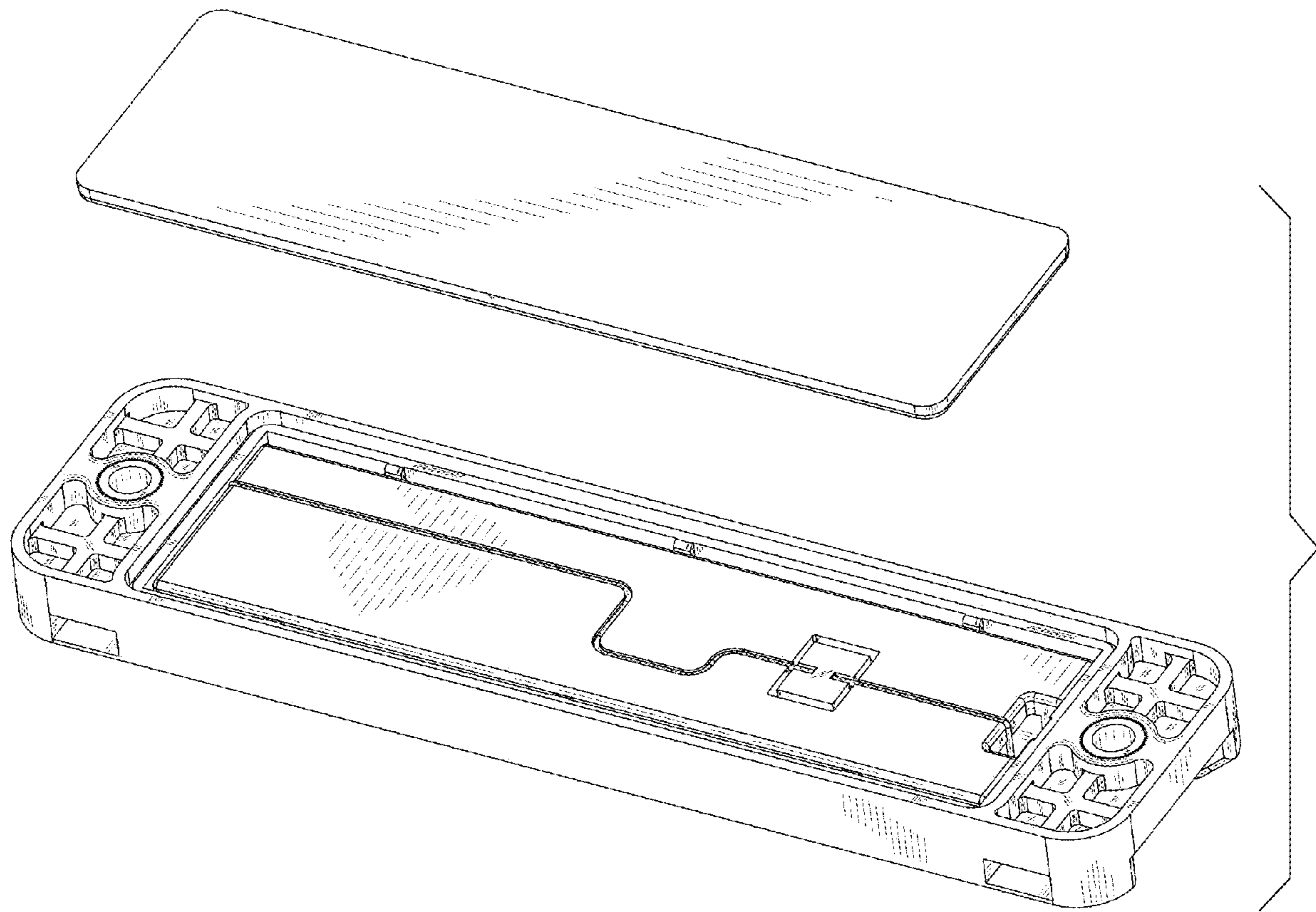
1. 16



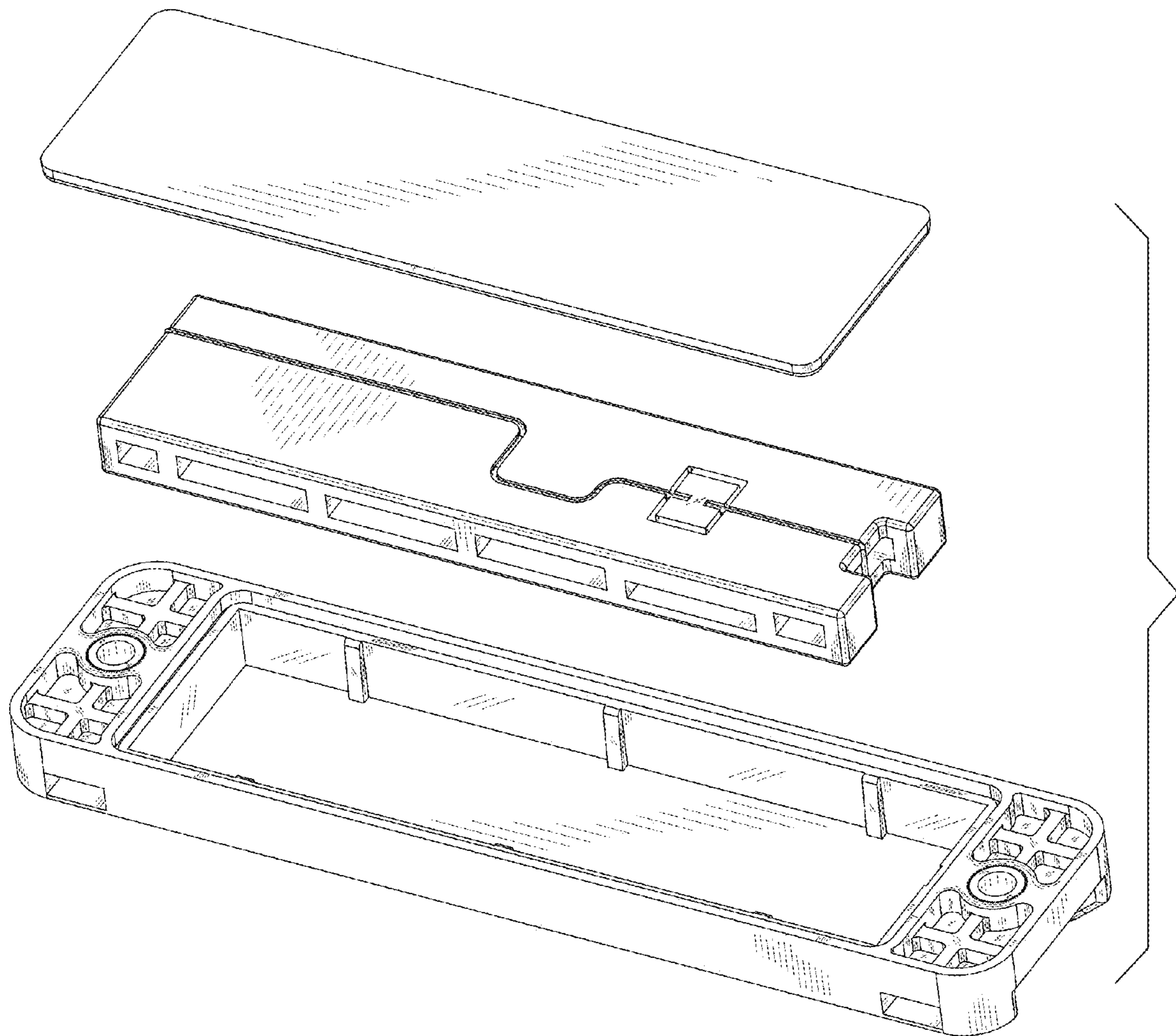
1. 17



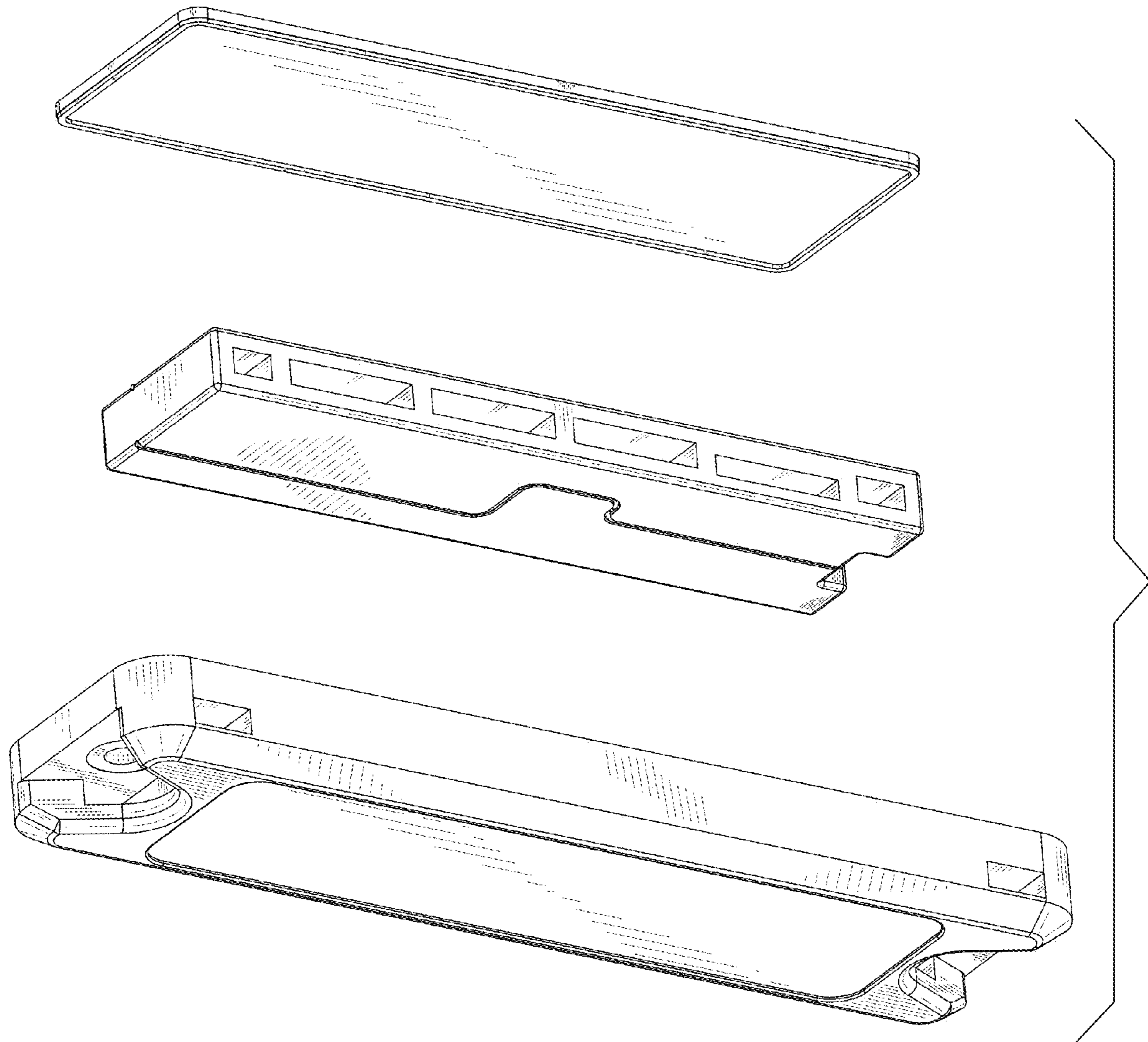
1. 18



1.19



1.20



1. 21