



US00D981378S

(12) **United States Design Patent** (10) **Patent No.:** **US D981,378 S**  
**Liu et al.** (45) **Date of Patent:** **\*\* Mar. 21, 2023**

(54) **ANTENNA ALIGNMENT TOOL BOX**

D599,754 S \* 9/2009 Xie ..... D14/125  
D641,327 S \* 7/2011 Falakfarsa ..... D14/125  
D693,798 S \* 11/2013 Chuang ..... D14/240  
9,099,255 B2 \* 8/2015 Cheng ..... H01H 9/20

(Continued)

(71) Applicants: **LITE-ON ELECTRONICS (GUANGZHOU) LIMITED**, Guangzhou (CN); **LITE-ON TECHNOLOGY CORPORATION**, Taipei (TW)

**FOREIGN PATENT DOCUMENTS**

(72) Inventors: **Liang-Yi Liu**, Taipei (TW); **Ming-Huei Lai**, Taipei (TW); **Che-Cheng Chang**, Taipei (TW); **Jian-Lun Chen**, Taipei (TW)

CN 305843537 \* 6/2020  
CN 306374086 \* 3/2021  
CN 307442737 \* 7/2022

**OTHER PUBLICATIONS**

(73) Assignees: **LITE-ON ELECTRONICS (GUANGZHOU) LIMITED**; **LITE-ON TECHNOLOGY CORPORATION**

Elecom, "HDMI Splitter 1 Input 8 Output . . .", available at amazon.com, date first available May 21, 2018, site visited Jul. 21, 2022, available at URL: <https://www.amazon.com/ELECOM-HDMI-Splitter-input-output/dp/B015GFSMPS> (Year: 2018).\*

(Continued)

(\*\*) Term: **15 Years**

*Primary Examiner* — Daniel J Domino

(21) Appl. No.: **29/757,621**

*Assistant Examiner* — Samina Vieth

(22) Filed: **Nov. 6, 2020**

(74) *Attorney, Agent, or Firm* — Innovation Counsel LLP

(51) **LOC (14) Cl.** ..... **14-03**

(57) **CLAIM**

(52) **U.S. Cl.**  
USPC ..... **D14/230**

The ornamental design for an antenna alignment tool box, as shown and described.

(58) **Field of Classification Search**  
USPC ..... D14/230–239, 354, 299, 358, 242, D14/140–140.9, 155, 137, 218, 341; D8/355, 359; D16/242  
CPC ..... H01Q 1/1207; H01Q 1/52; H01Q 1/281; H01Q 1/08; H01Q 1/1242; H01Q 1/125; H01Q 21/06; H01Q 19/30; H01Q 1/38; H01L 23/02; H01L 33/486; H05K 5/00  
See application file for complete search history.

**DESCRIPTION**

FIG. 1 is a perspective view of an antenna alignment tool box showing our new design; FIG. 2 is a front elevation view thereof; FIG. 3 is a rear elevation view thereof; FIG. 4 is a left side elevation view thereof; FIG. 5 is a right side elevation view thereof; FIG. 6 is a top plan view thereof; and, FIG. 7 is a bottom plan view thereof.

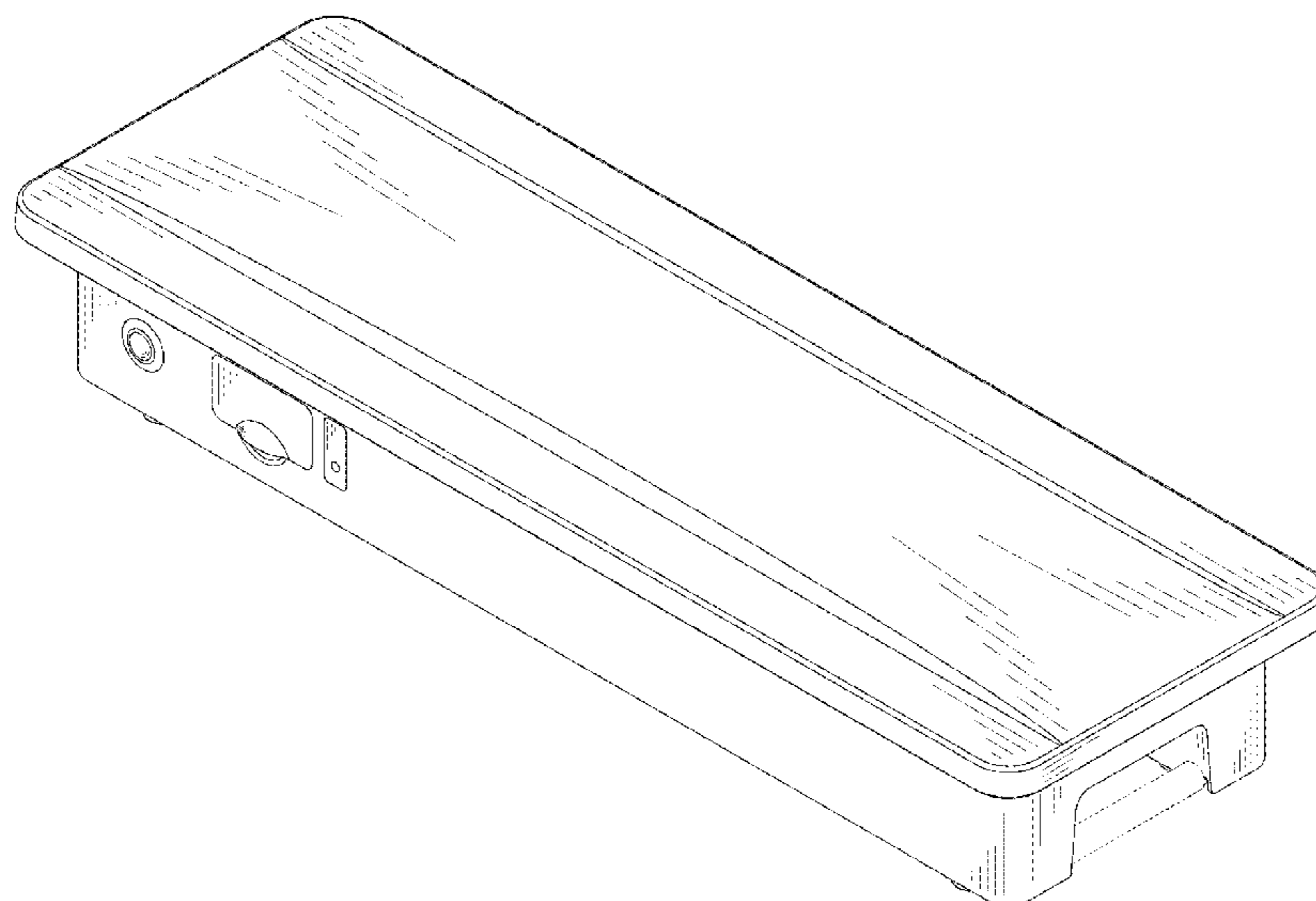
The broken lines shown in the drawings depict portions of the antenna alignment tool box in which the design is embodied; the portions form no part of the claimed design.

(56) **References Cited**

**U.S. PATENT DOCUMENTS**

D239,451 S \* 4/1976 Scott ..... D14/299  
D376,367 S \* 12/1996 Mailandt ..... D14/230  
D425,068 S \* 5/2000 Melin ..... D14/230

**1 Claim, 6 Drawing Sheets**



(56)

**References Cited**

U.S. PATENT DOCUMENTS

D782,476 S \* 3/2017 Yamazaki ..... D14/240  
D844,008 S \* 3/2019 Yamazaki ..... D14/434  
10,375,846 B2 \* 8/2019 I ..... B29C 66/12469  
D868,043 S \* 11/2019 Doe ..... D14/230  
D868,044 S \* 11/2019 Doe ..... D14/230  
D890,148 S \* 7/2020 Zhao ..... D14/230  
D902,189 S \* 11/2020 Yang ..... D14/230  
D902,190 S \* 11/2020 Yang ..... D14/230  
D954,688 S \* 6/2022 Shi ..... D14/230  
2021/0210833 A1 \* 7/2021 Lai ..... H05K 5/0204

OTHER PUBLICATIONS

Chathamworldwide, "Sunsight Instruments SS-T-BASE-1 Antenna Alignment Tool", available at ebay.com, date first published Nov. 11, 2019, site visited Jul. 21, 2022, available at URL: [https://www.ebay.com/rvh/333394218042?rt=nc&\\_trksid=p2047675.I48144](https://www.ebay.com/rvh/333394218042?rt=nc&_trksid=p2047675.I48144) (Year: 2019).\*

\* cited by examiner

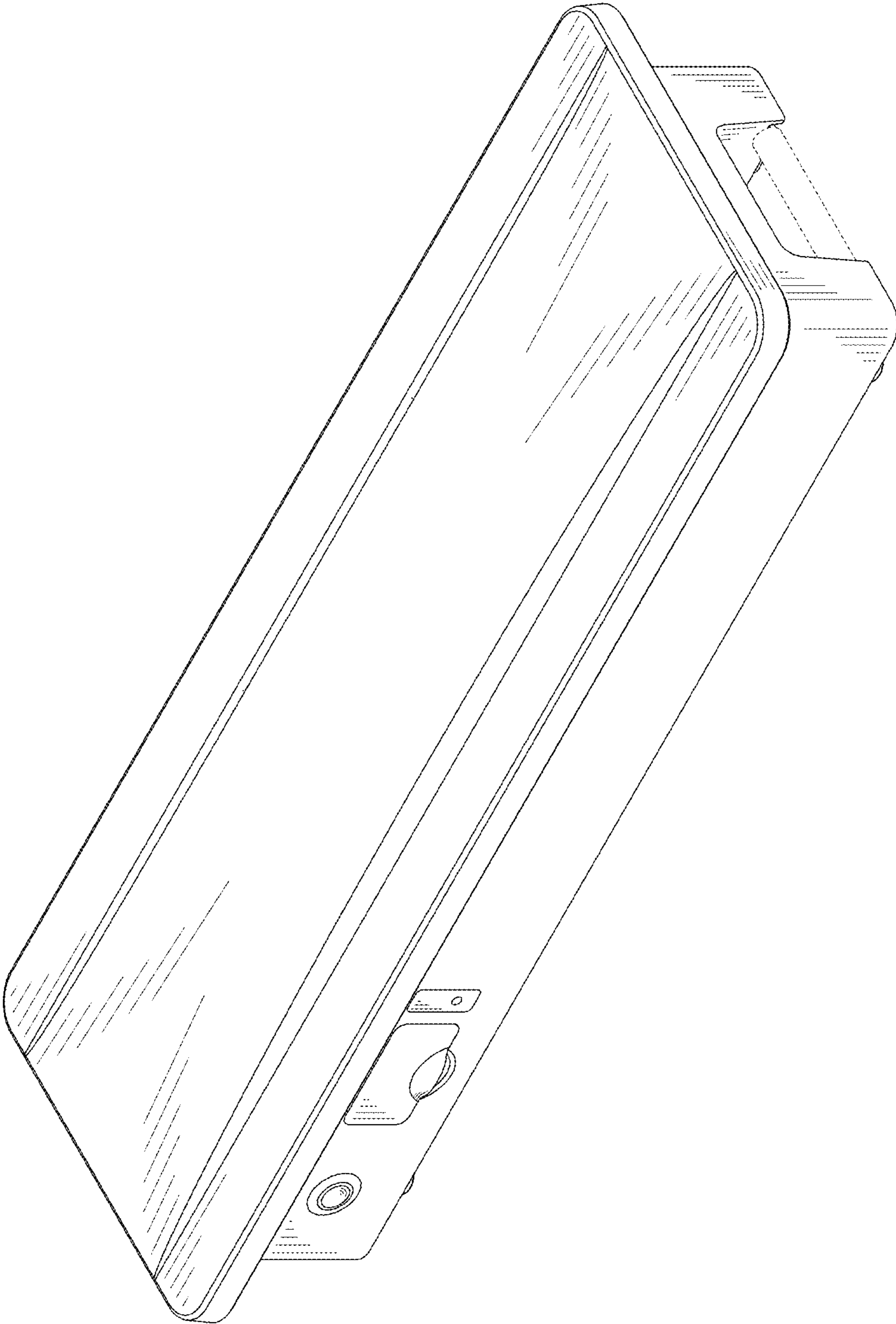


FIG. 1

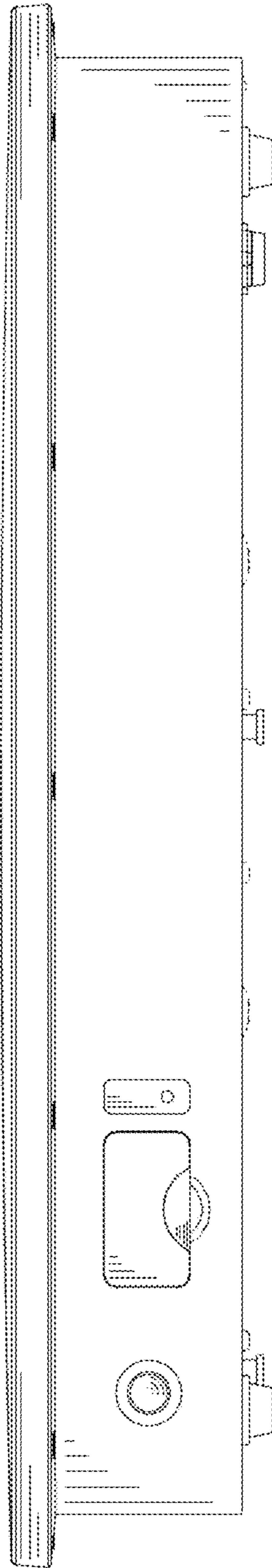


FIG. 2

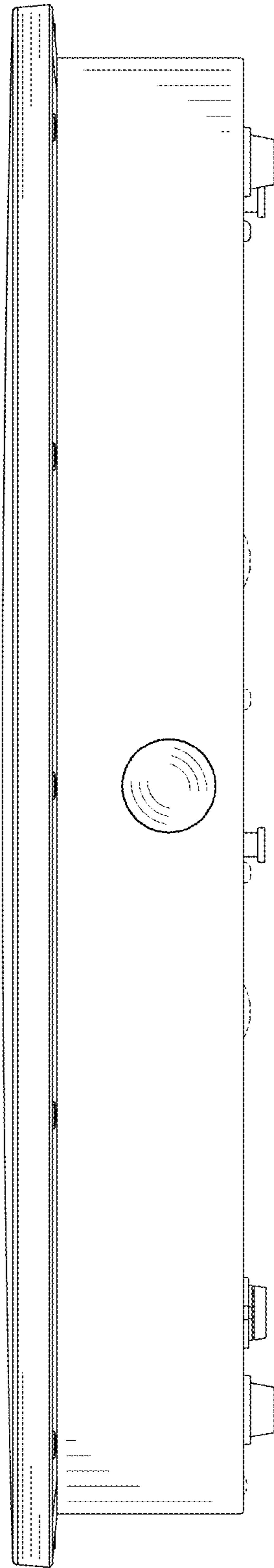


FIG. 3

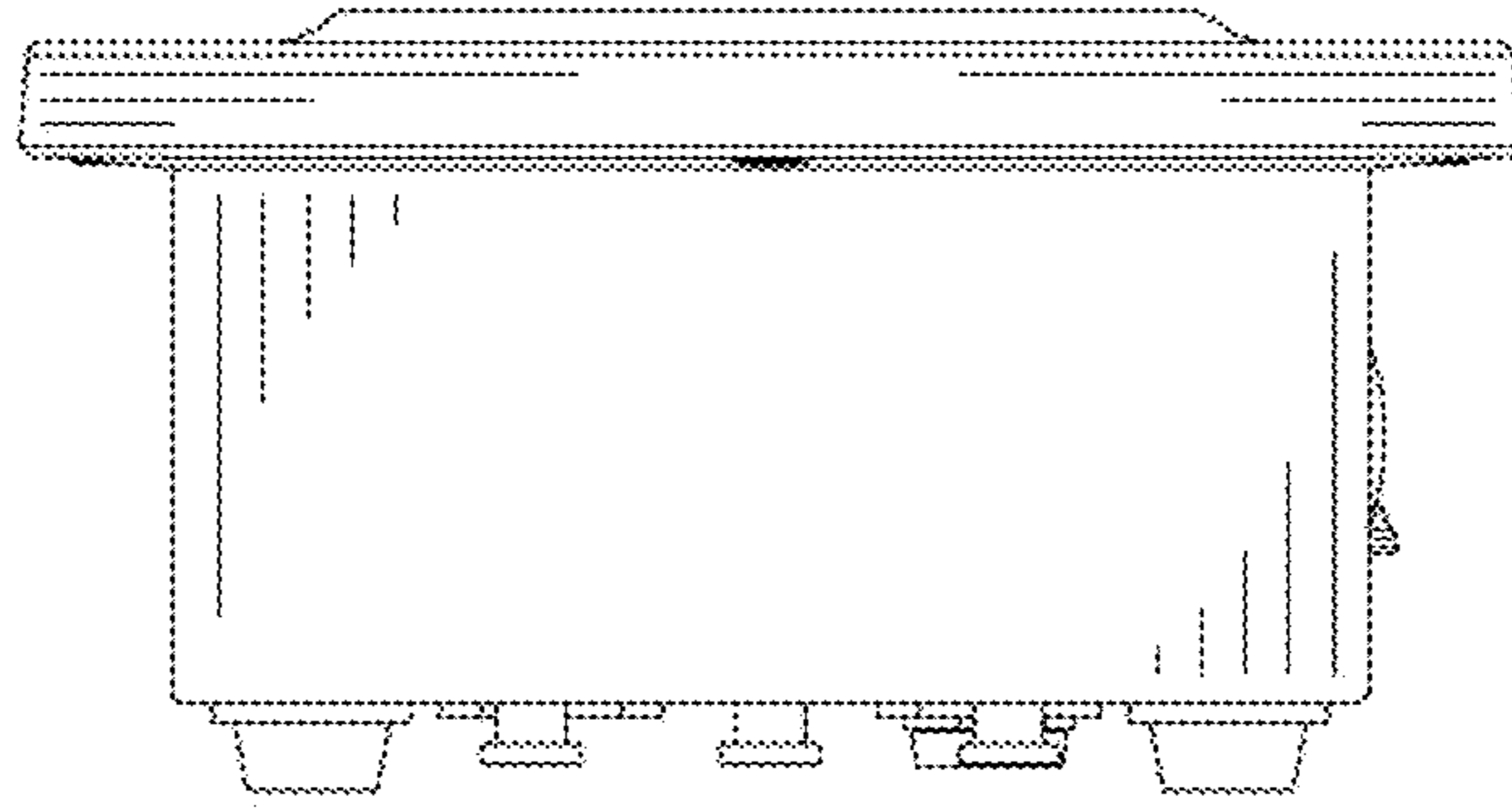


FIG. 4

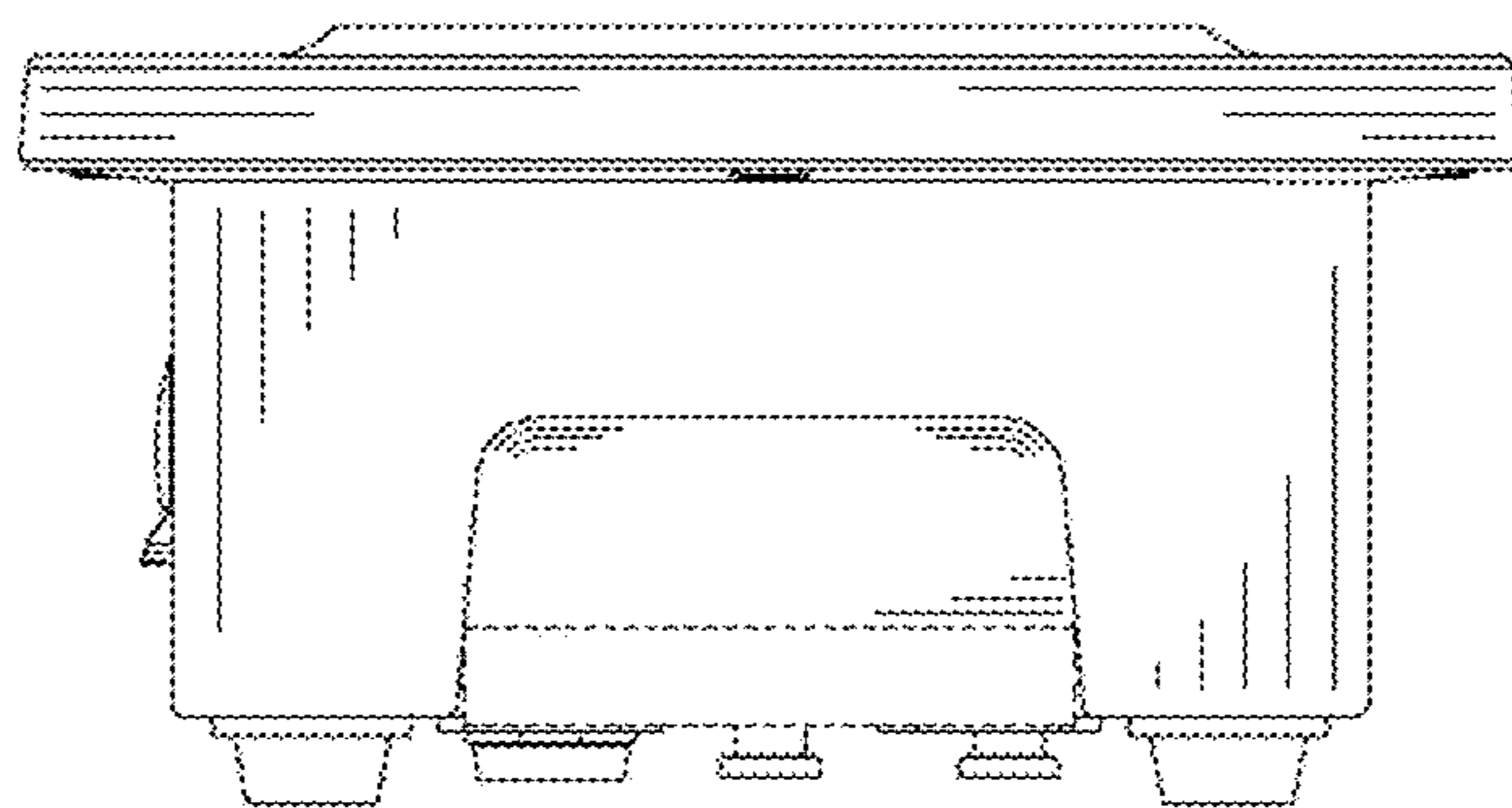


FIG. 5

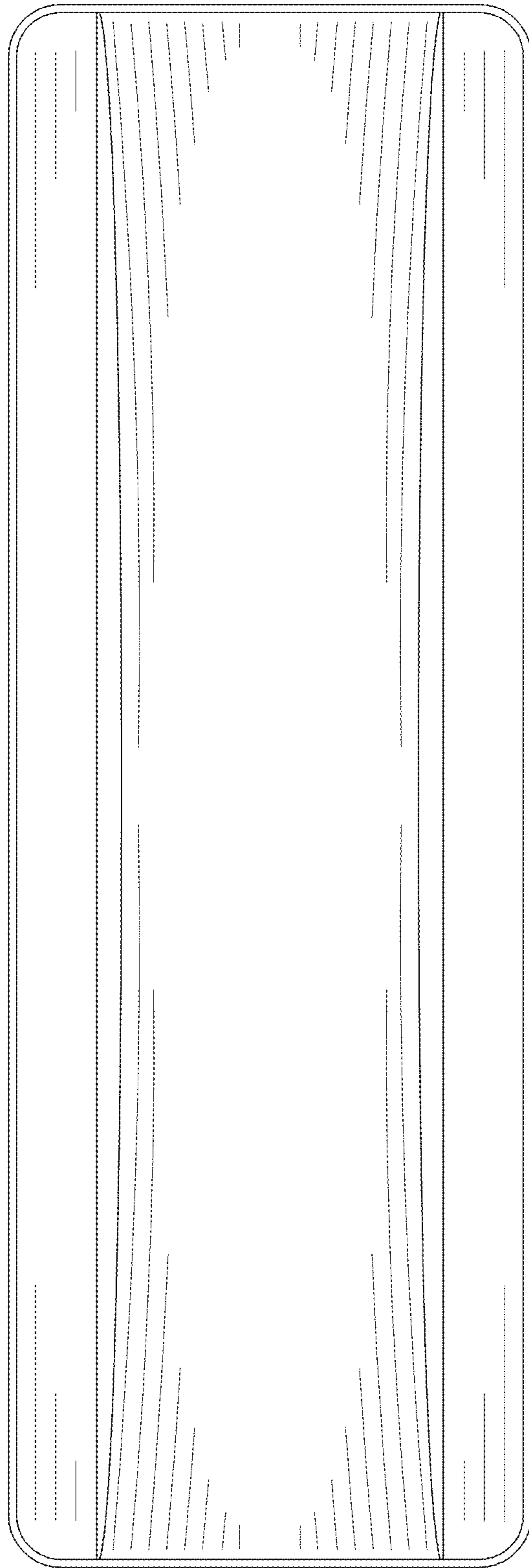


FIG. 6

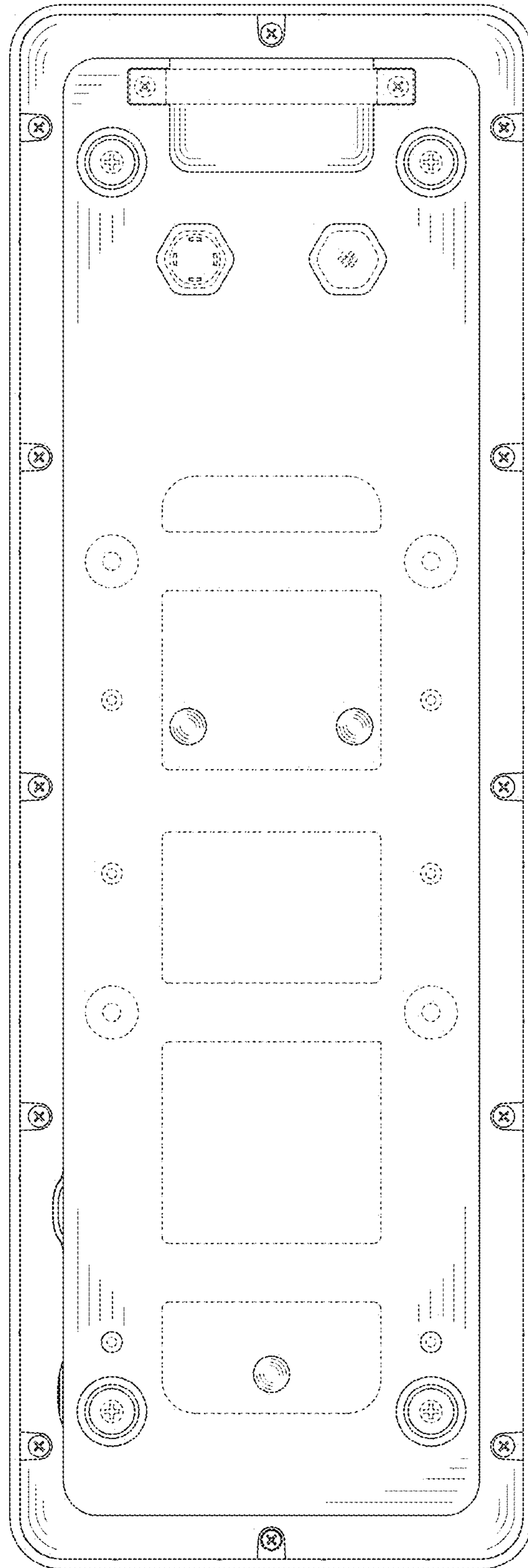


FIG. 7