



US00D981377S

(12) **United States Design Patent**
Ikeda

(10) **Patent No.:** **US D981,377 S**
(45) **Date of Patent:** **** Mar. 21, 2023**

(54) **MICROPHONE SUPPORTER**

(71) Applicant: **Audio-Technica Corporation**, Tokyo (JP)

(72) Inventor: **Tatsuya Ikeda**, Tokyo (JP)

(73) Assignee: **Audio-Technica Corporation**, Tokyo (JP)

(**) Term: **15 Years**

(21) Appl. No.: **29/784,180**

(22) Filed: **May 18, 2021**

(30) **Foreign Application Priority Data**

Nov. 27, 2020 (JP) 2020-025580

(51) **LOC (14) Cl.** **14-01**

(52) **U.S. Cl.**
USPC **D14/229**; D14/224

(58) **Field of Classification Search**
USPC D14/155–159, 160–173, 187–188,
D14/189–198, 203.1–203.8, 204–216,
D14/217–222, 223, 224–229, 257–258,
D14/496, 498–506; D6/672–673, 675.1,
D6/682

CPC H04R 1/02; H04R 1/021; H04R 1/025;
H04R 1/026; H04R 1/028; H04R 1/06;
H04R 1/105; H04R 1/323; H04R 1/403;
H04R 1/2803; H04R 1/2834

See application file for complete search history.

(56) **References Cited**

U.S. PATENT DOCUMENTS

4,890,689 A * 1/1990 Smith H04R 1/403
181/150
5,812,685 A * 9/1998 Fujita H04R 1/403
181/144
8,917,881 B2 * 12/2014 Jenq H04R 1/403
381/160

10,863,265 B2 * 12/2020 Strunk H04R 3/12
D928,747 S * 8/2021 Trewartha D14/225
2006/0233402 A1 * 10/2006 Inagaki H04R 1/403
381/182
2020/0314537 A1 * 10/2020 Strunk H04R 1/025
2020/0329306 A1 * 10/2020 Jenq H04R 1/025

FOREIGN PATENT DOCUMENTS

CN 306730946 * 8/2021
JP D1681870 * 3/2021

* cited by examiner

Primary Examiner — Messina L Smith

Assistant Examiner — Aram Kwon

(74) *Attorney, Agent, or Firm* — WCF IP

(57) **CLAIM**

The ornamental design for a microphone supporter, as shown and described.

DESCRIPTION

FIG. 1 is a perspective view of a microphone supporter, showing my new design;
FIG. 2 is a top plan view thereof;
FIG. 3 is a bottom plan view thereof;
FIG. 4 is a front view thereof;
FIG. 5 is a rear view thereof;
FIG. 6 is a left side view thereof;
FIG. 7 is a right side view thereof;
FIG. 8 is a perspective view of the microphone supporter shown in a state of use;
FIG. 9 is an exploded view of the microphone supporter; and,
FIG. 10 is a perspective view of the microphone supporter shown in another state of use.
The broken lines shown in FIGS. 1-4, 9 depict portions of the microphone supporter that form no part of the claimed design. The broken line showing of hardware and a circular cage in FIGS. 8-10 depict environmental structure that forms no part of the claimed design.

1 Claim, 10 Drawing Sheets

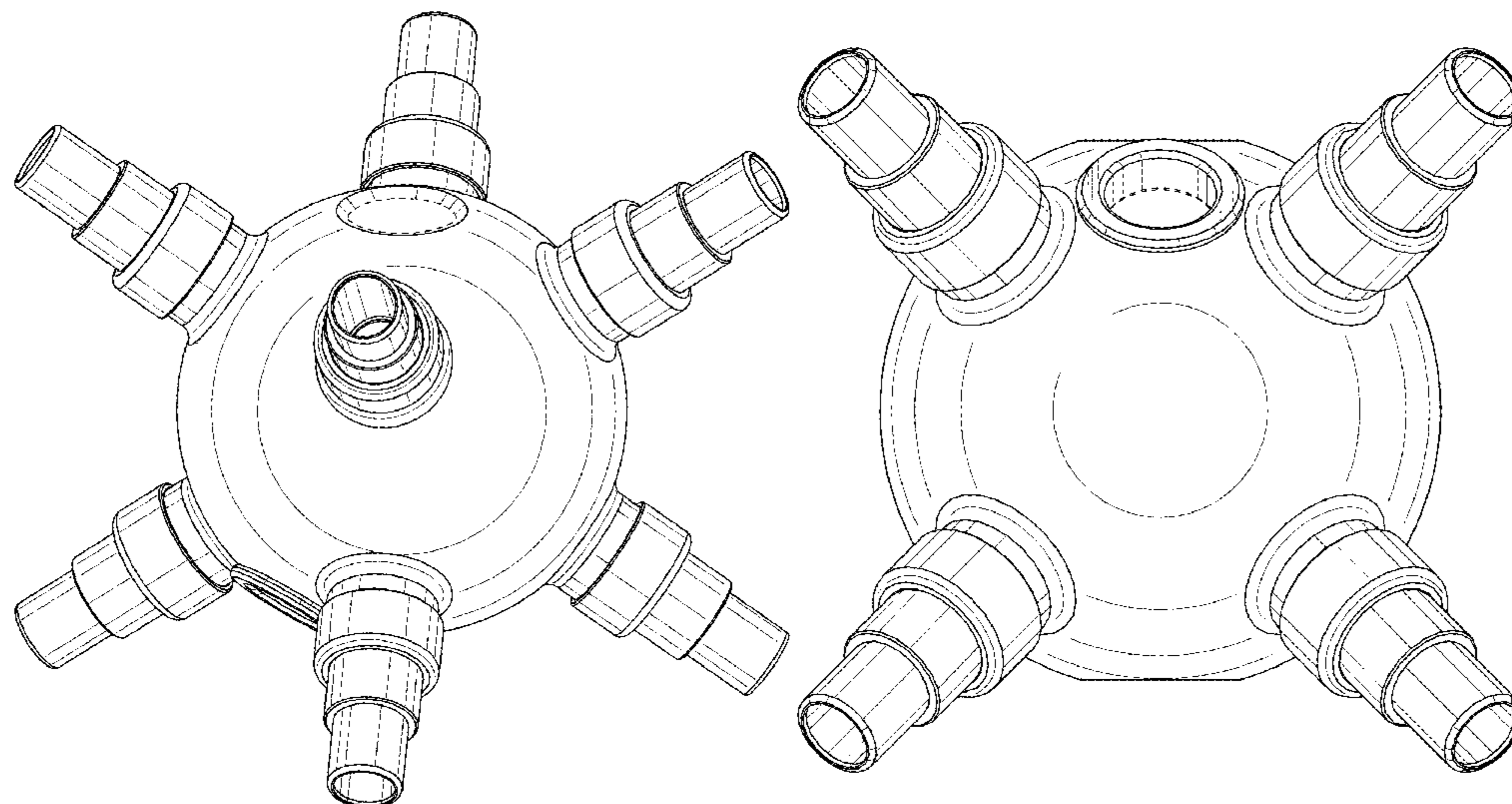


FIG. 1

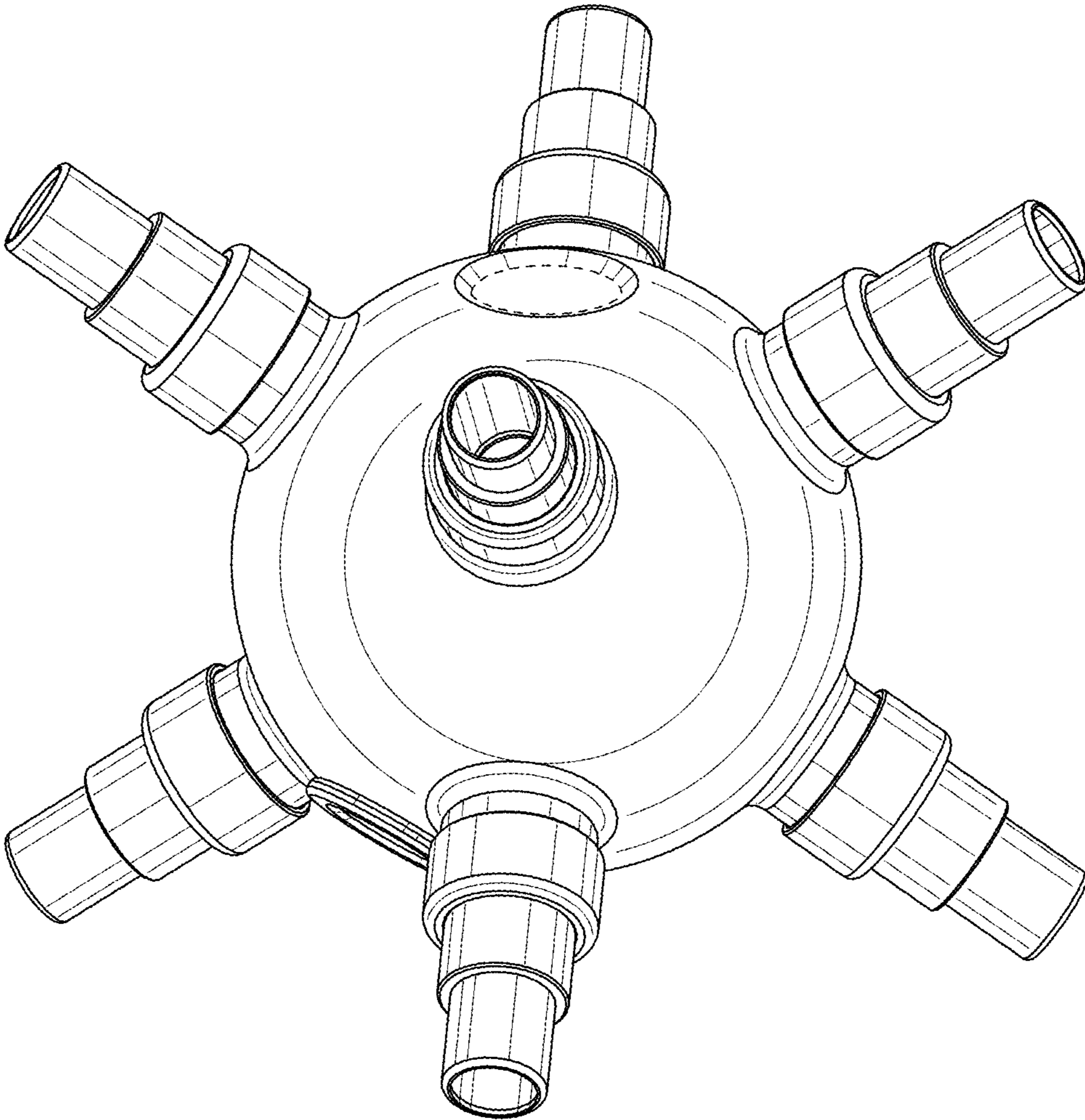


FIG. 2

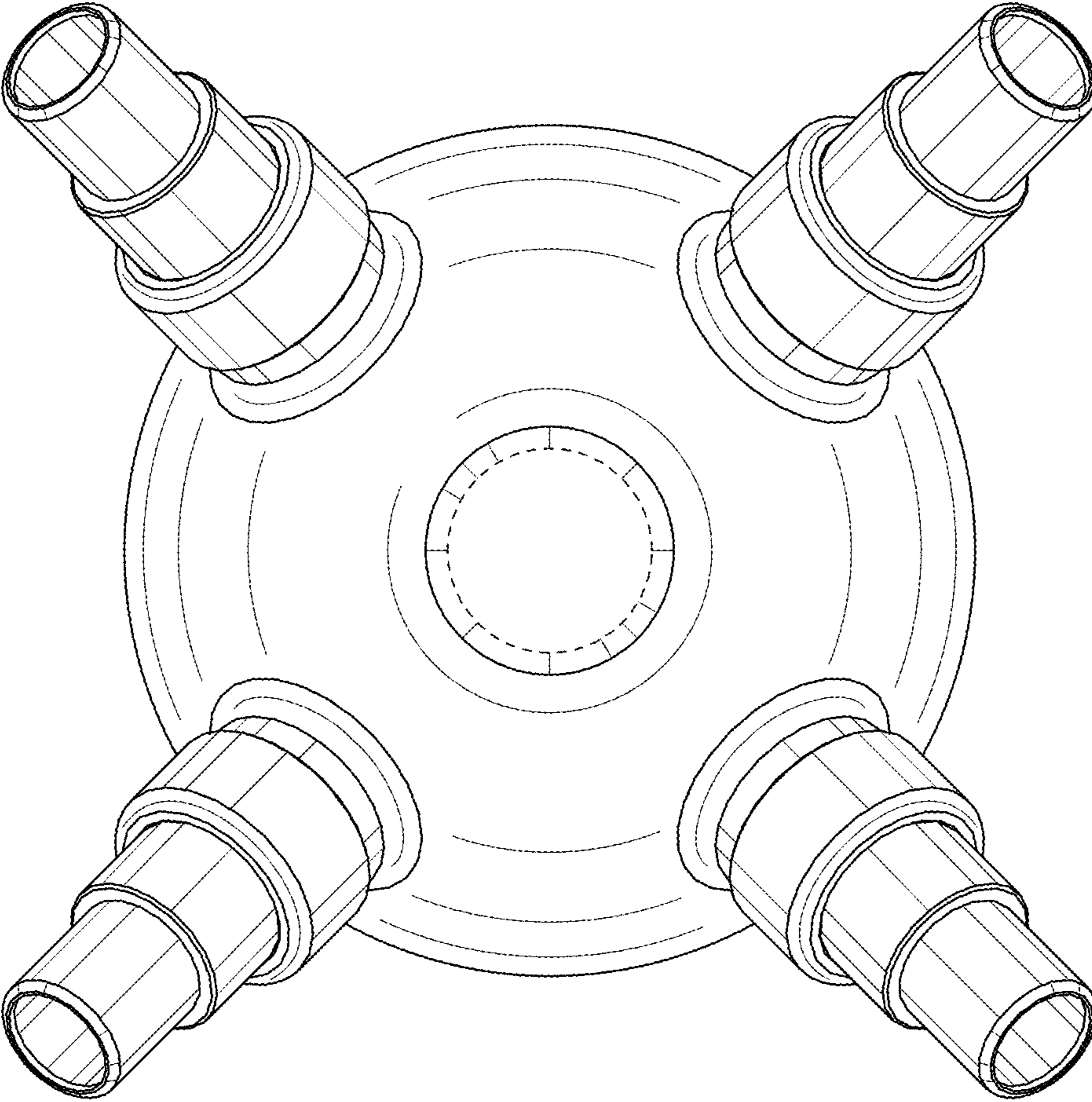


FIG. 3

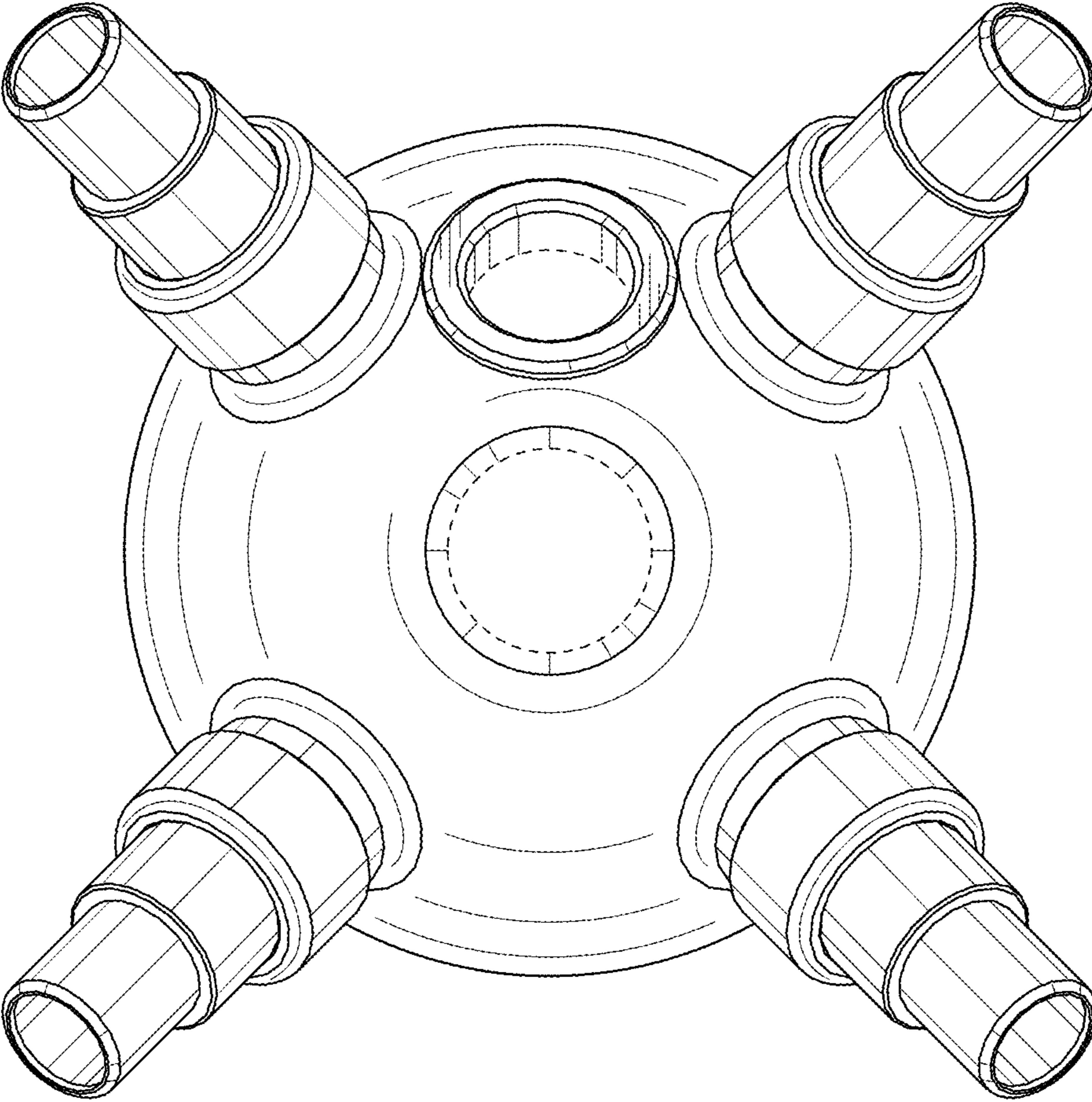


FIG. 4

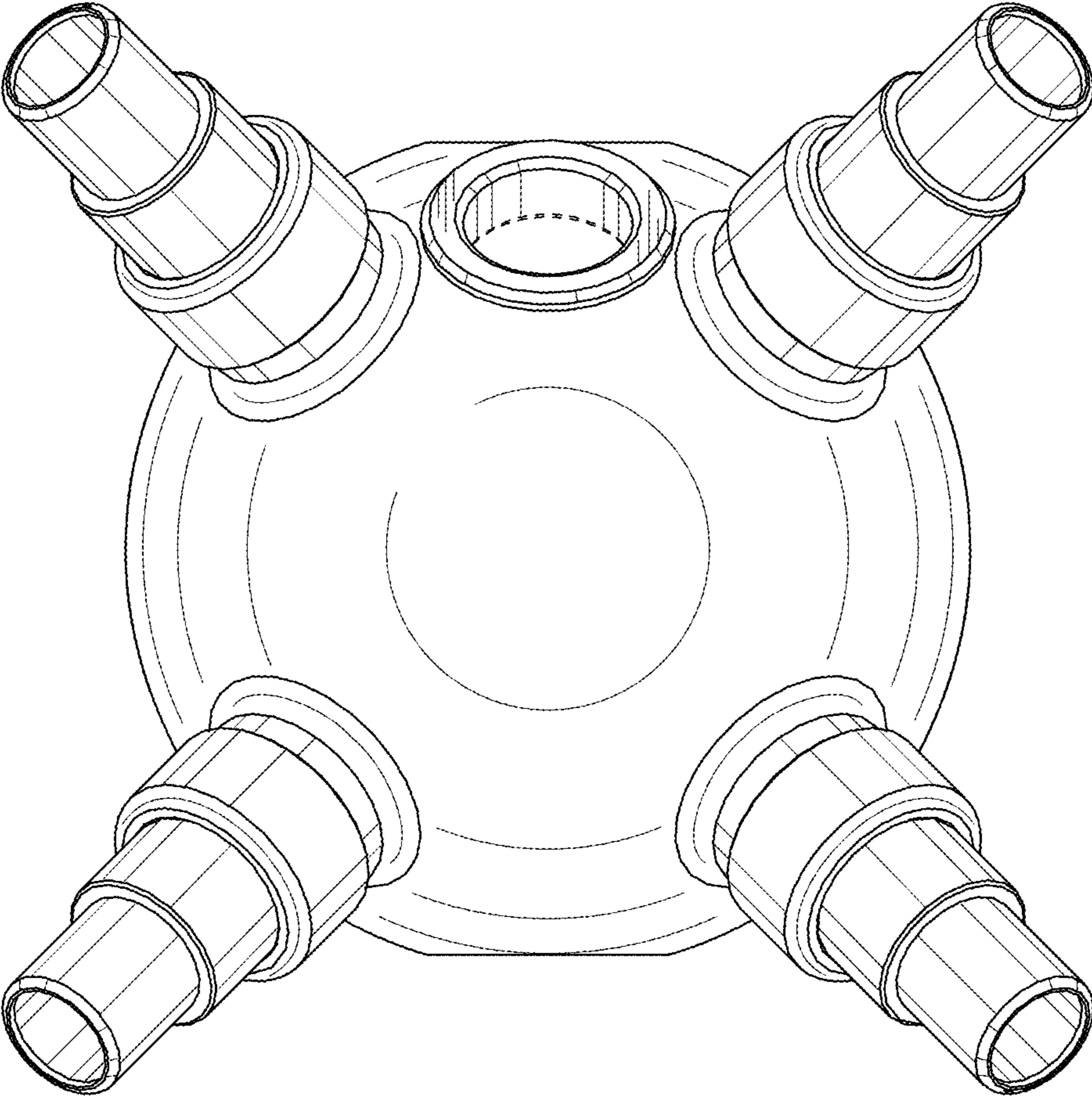


FIG. 5

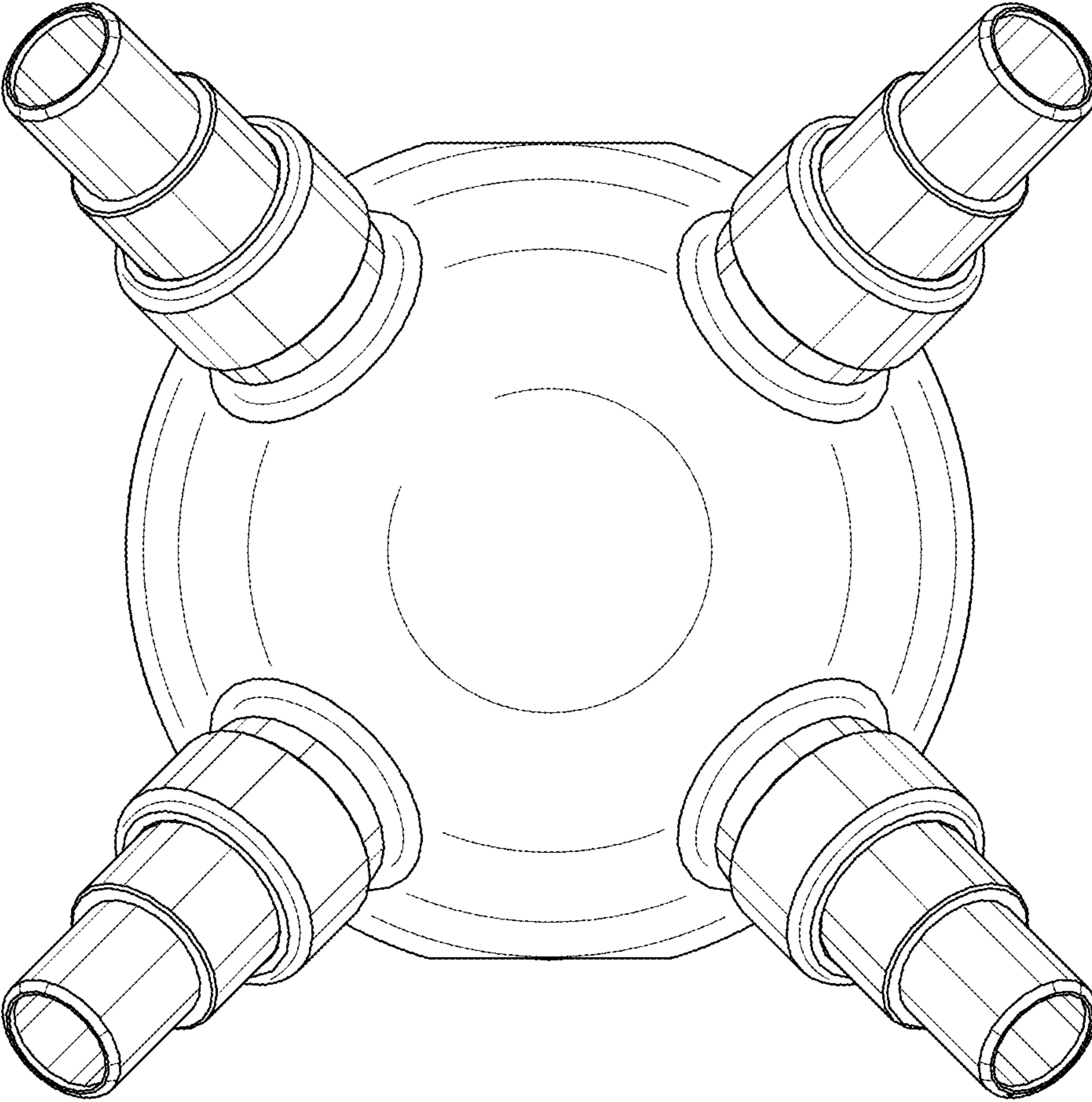


FIG. 6

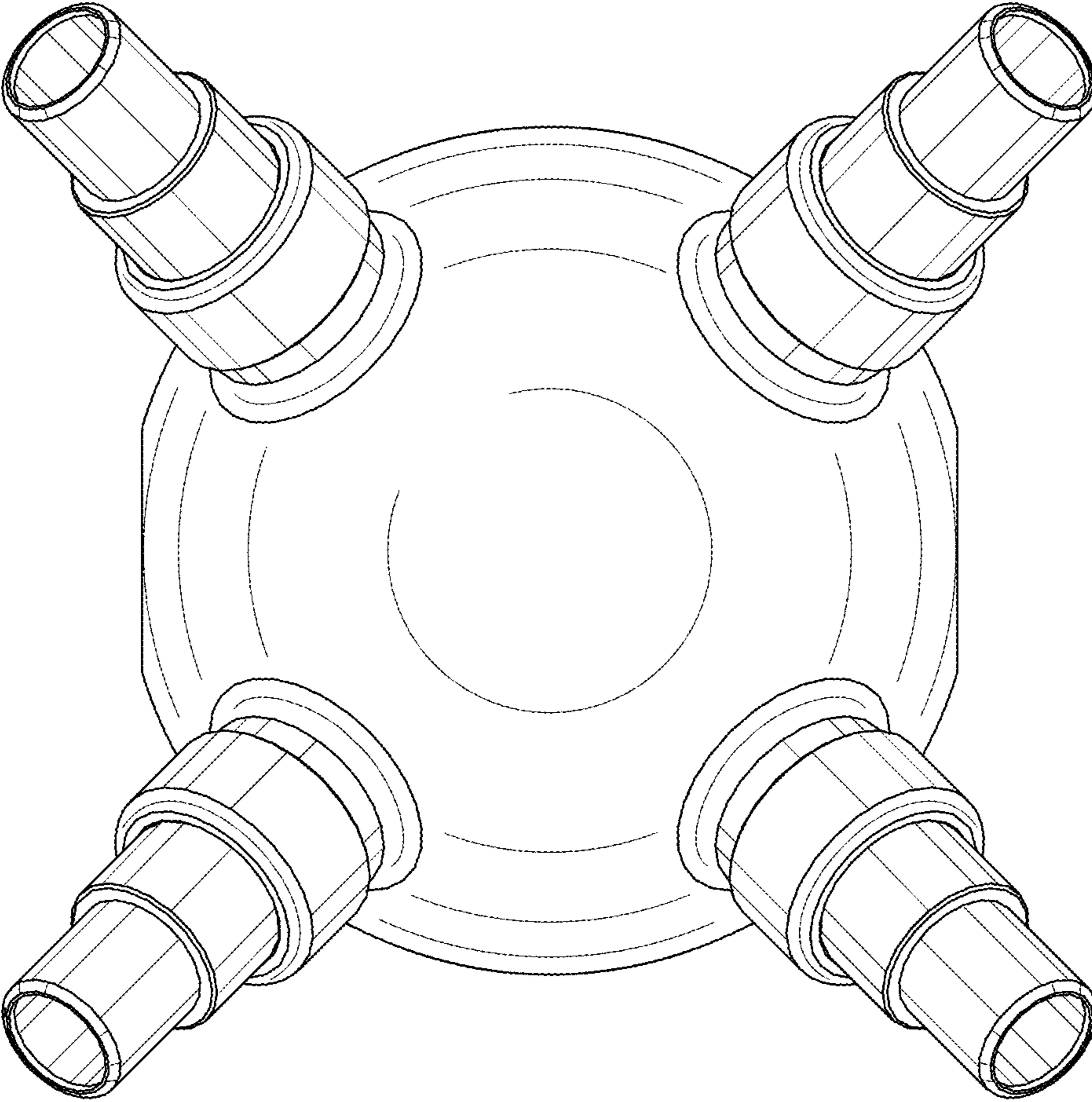


FIG. 7

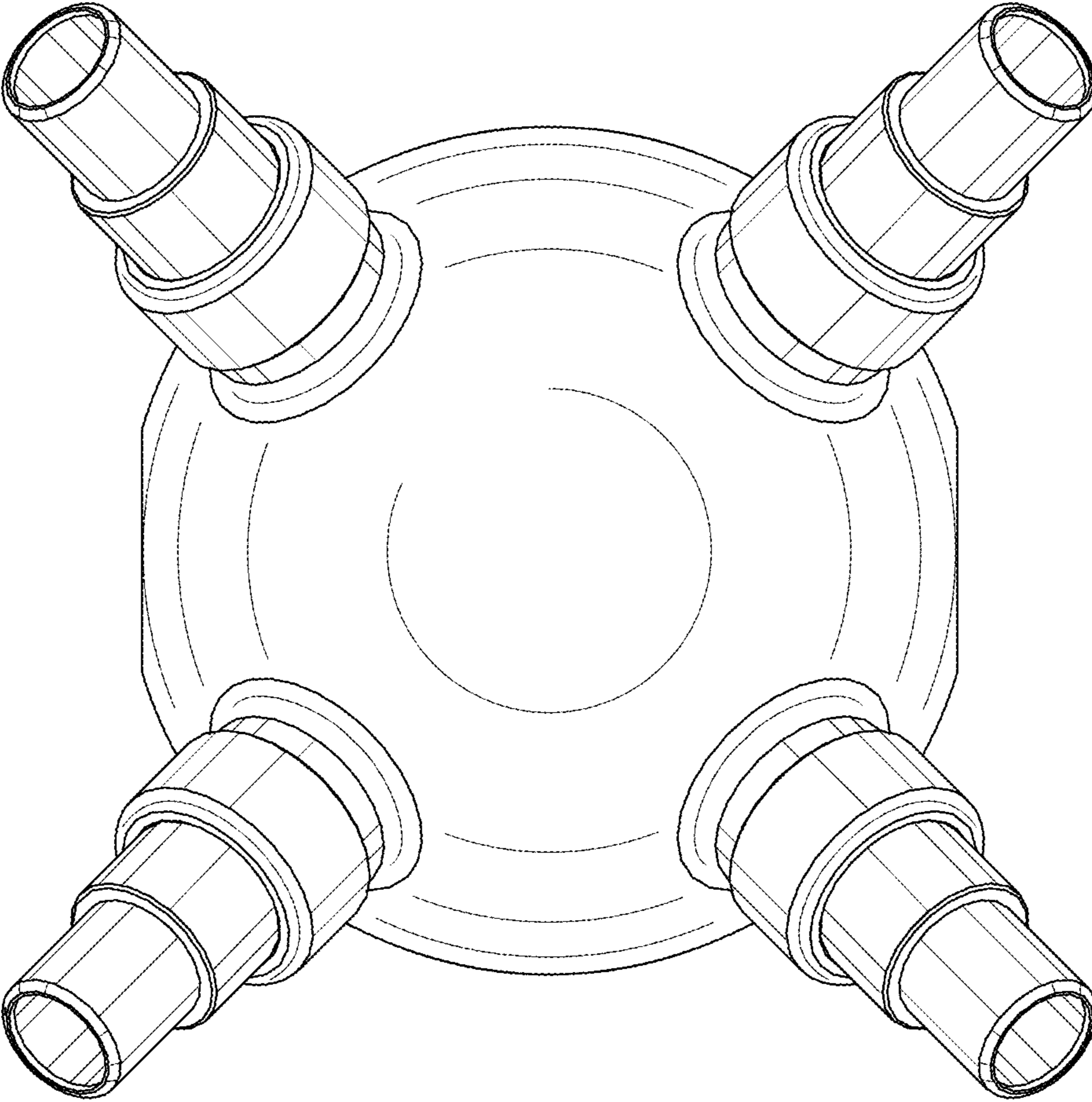


FIG. 8

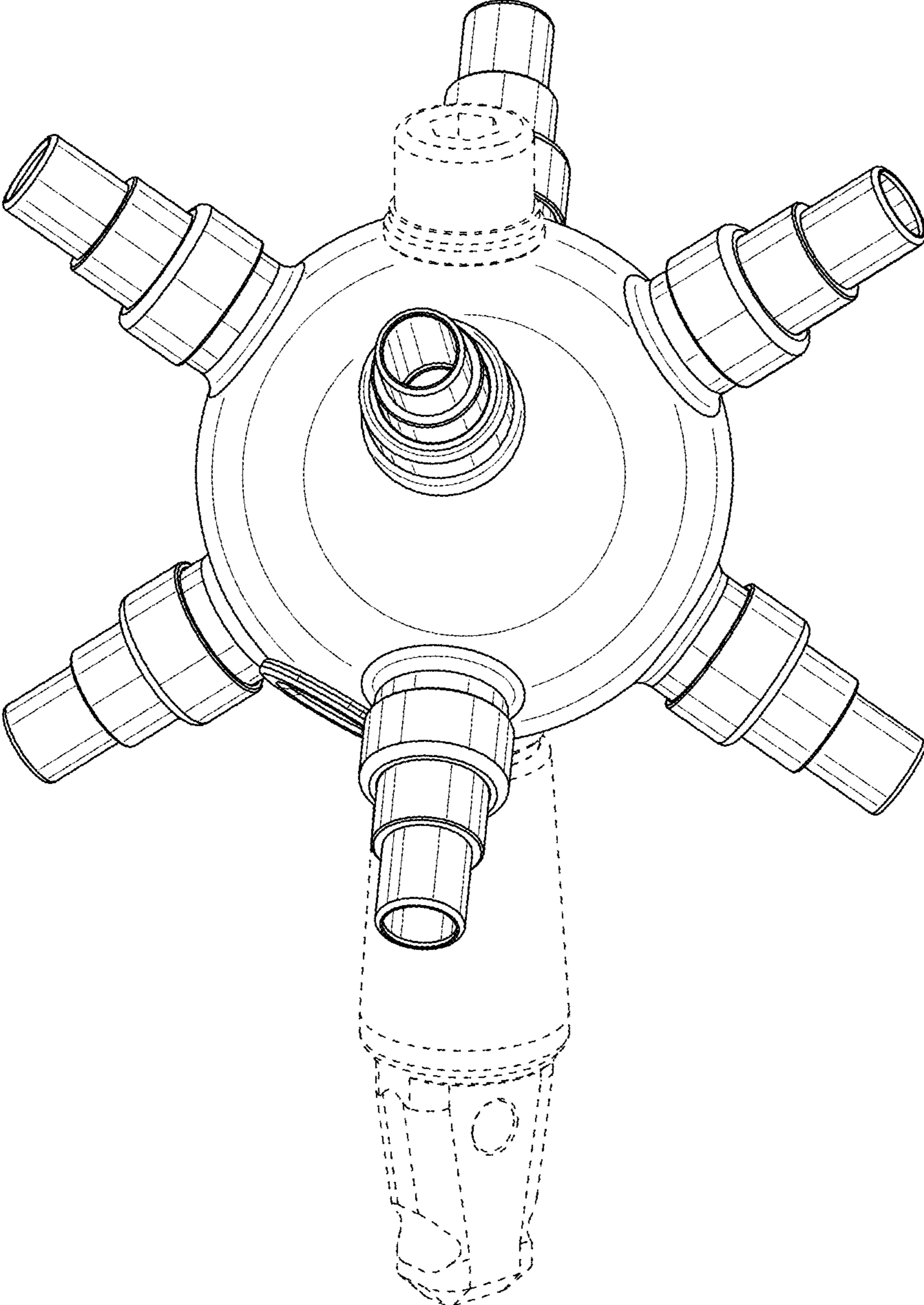


FIG. 9

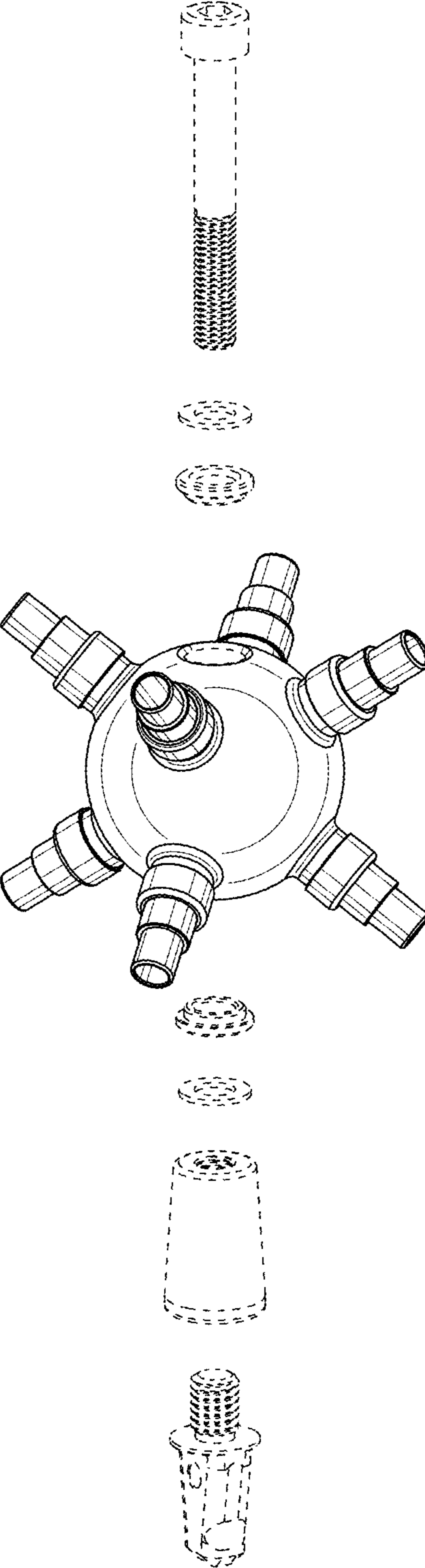


FIG. 10

