



US00D981375S

(12) **United States Design Patent**
Okita et al.

(10) **Patent No.:** **US D981,375 S**
(45) **Date of Patent:** **** Mar. 21, 2023**

(54) **MICROPHONE**

(71) Applicants: **Audio-Technica Corporation**, Tokyo (JP); **NHK Technologies, Inc.**, Tokyo (JP)

(72) Inventors: **Shioto Okita**, Kanagawa (JP); **Yusuke Sano**, Tokyo (JP); **Akifumi Yamaguchi**, Tokyo (JP); **Katsuhisa Ida**, Tokyo (JP)

(73) Assignees: **Audio-Technica Corporation**, Tokyo (JP); **NHK Technologies, Inc.**, Tokyo (JP)

(**) Term: **15 Years**

(21) Appl. No.: **29/793,091**

(22) Filed: **Apr. 30, 2021**

(30) **Foreign Application Priority Data**

Oct. 30, 2020 (JP) 2020-023512

(51) **LOC (14) Cl.** **14-01**

(52) **U.S. Cl.**
USPC **D14/225**

(58) **Field of Classification Search**
USPC D14/125–129, 155–159, 160–173,
D14/187–188, 189–198, 203.1–203.8,
(Continued)

(56) **References Cited**

U.S. PATENT DOCUMENTS

D206,753 S * 1/1967 Richardson D11/121
D389,945 S * 1/1998 Hutton D26/9
(Continued)

FOREIGN PATENT DOCUMENTS

CN 306892872 * 10/2021
JP D1683227 * 3/2021

Primary Examiner — Messina L Smith

Assistant Examiner — Aram Kwon

(74) *Attorney, Agent, or Firm* — WCF IP

(57) **CLAIM**

The ornamental design for a microphone, as shown and described.

DESCRIPTION

FIG. 1 is a front, top, right side perspective view of a microphone;

FIG. 2 is a rear, bottom, left side perspective view of the microphone;

FIG. 3 is a front elevational view of the microphone;

FIG. 4 is a rear elevational view of the microphone;

FIG. 5 is a top plan view of the microphone;

FIG. 6 is a bottom plan view of the microphone;

FIG. 7 is a right side elevational view of the microphone;

FIG. 8 is a left side elevational view of the microphone;

FIG. 9 is an enlarged cross-sectional view of the microphone taken in the direction of line 9-9 of FIG. 3;

FIG. 10 is a front, top, right side perspective view of the microphone shown in an environment of use where a frame is attached;

FIG. 11 is a rear, bottom, left side perspective view thereof;

FIG. 12 is a front elevational view thereof;

FIG. 13 is a rear elevational view thereof;

FIG. 14 is a top plan view thereof;

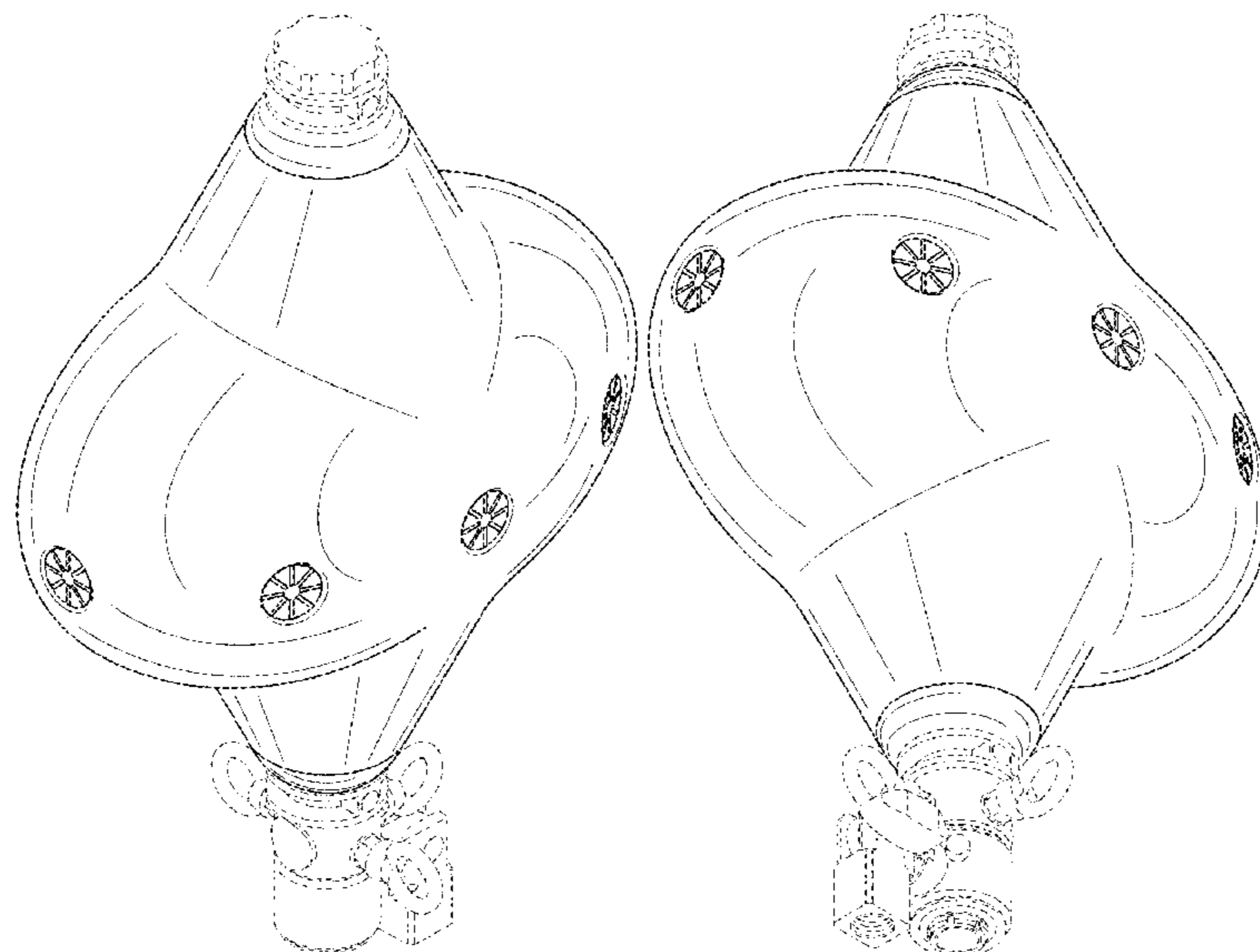
FIG. 15 is a bottom plan view thereof;

FIG. 16 is a right side elevational view thereof; and,

FIG. 17 is a left side elevational view thereof.

The evenly-dashed broken lines in the drawings depict portions of the microphone that form no part of the claimed design. The dash-dot-dot broken lines in FIGS. 10-17 depict environmental structure that forms no part of the claimed design.

1 Claim, 17 Drawing Sheets



(58) **Field of Classification Search**

USPC D14/204-216, 217-222, 223, 224-229,
D14/239, 251-253, 257-258, 335-337,
D14/371-382, 432, 439-441, 447-452,
D14/457, 492, 496, 498-506;
D6/672-673, 675.1, 682
CPC H04R 1/02; H04R 1/021; H04R 1/025;
H04R 1/026; H04R 1/028; H04R 1/06;
H04R 1/105; H04R 1/323; H04R 1/403;
H04R 1/2803; H04R 1/2834

See application file for complete search history.

(56) **References Cited**

U.S. PATENT DOCUMENTS

D543,482 S *	5/2007	Sexton	D11/121
D619,493 S *	7/2010	Chen	D11/121
D640,161 S *	6/2011	Chen	D11/121
D769,758 S *	10/2016	Feng	D10/118
D775,103 S *	12/2016	Elder	D14/204
2022/0141582 A1 *	5/2022	Okita	H04R 1/326 381/92

* cited by examiner

FIG. 1

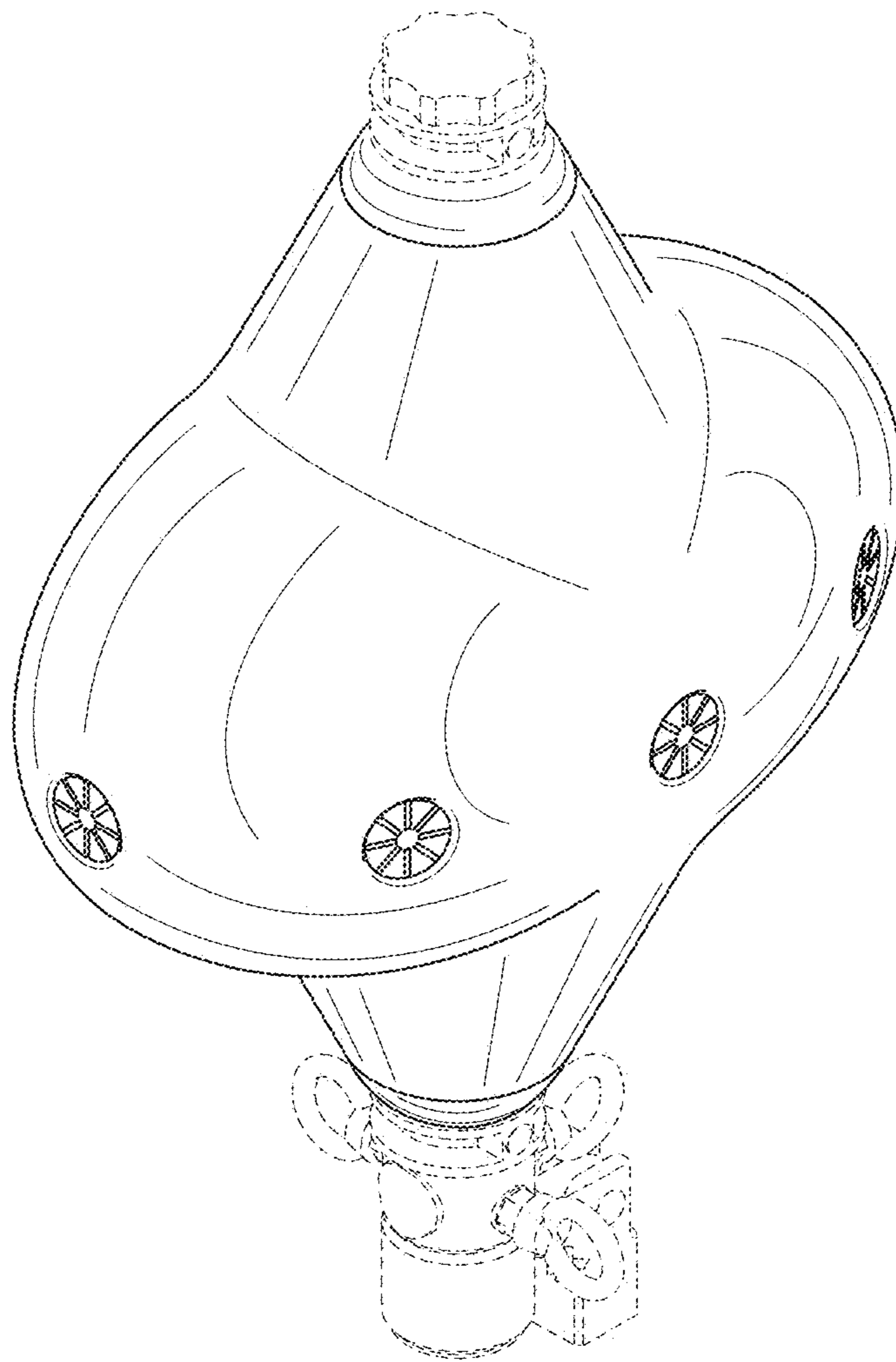


FIG. 2

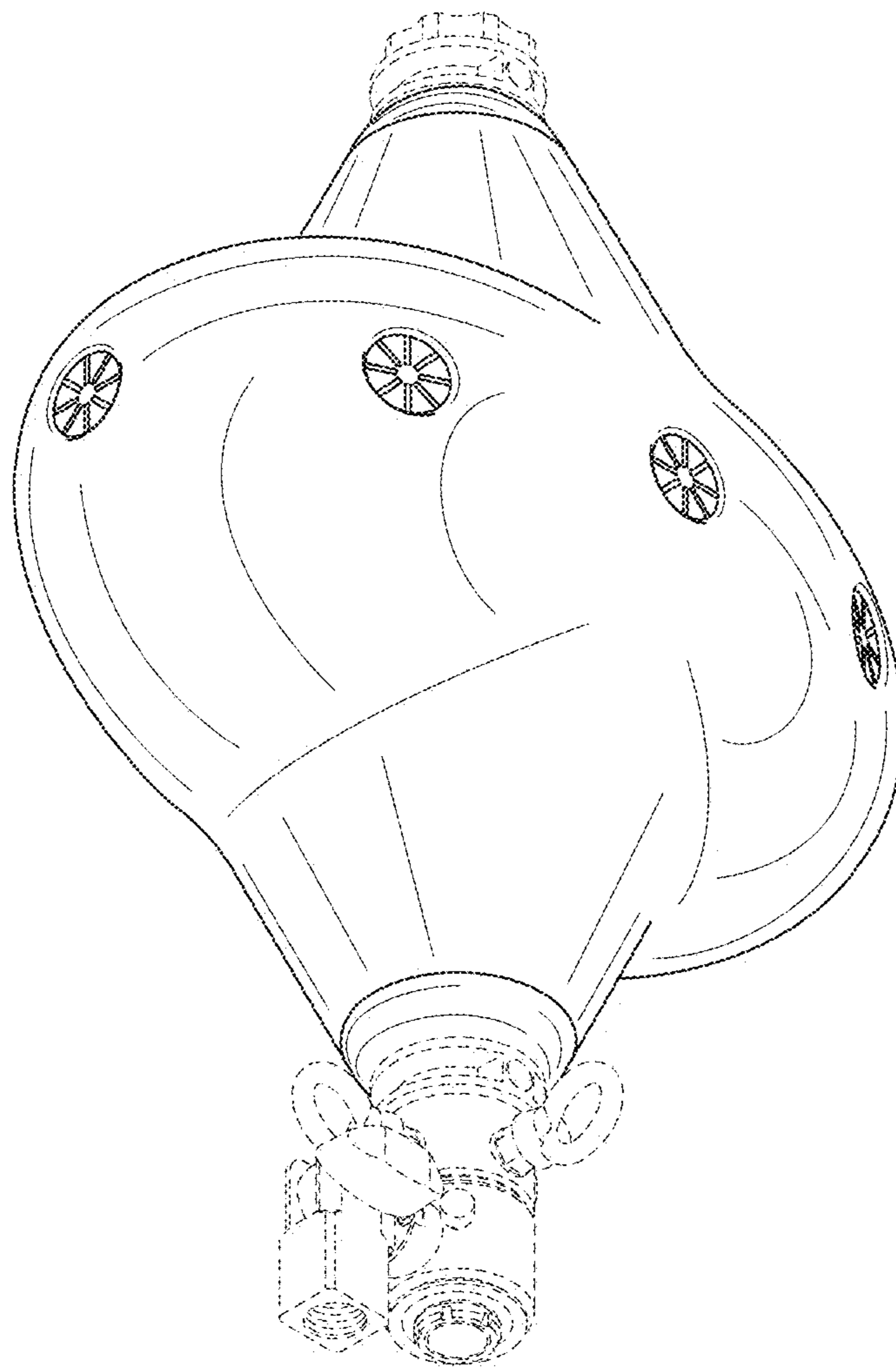


FIG. 3

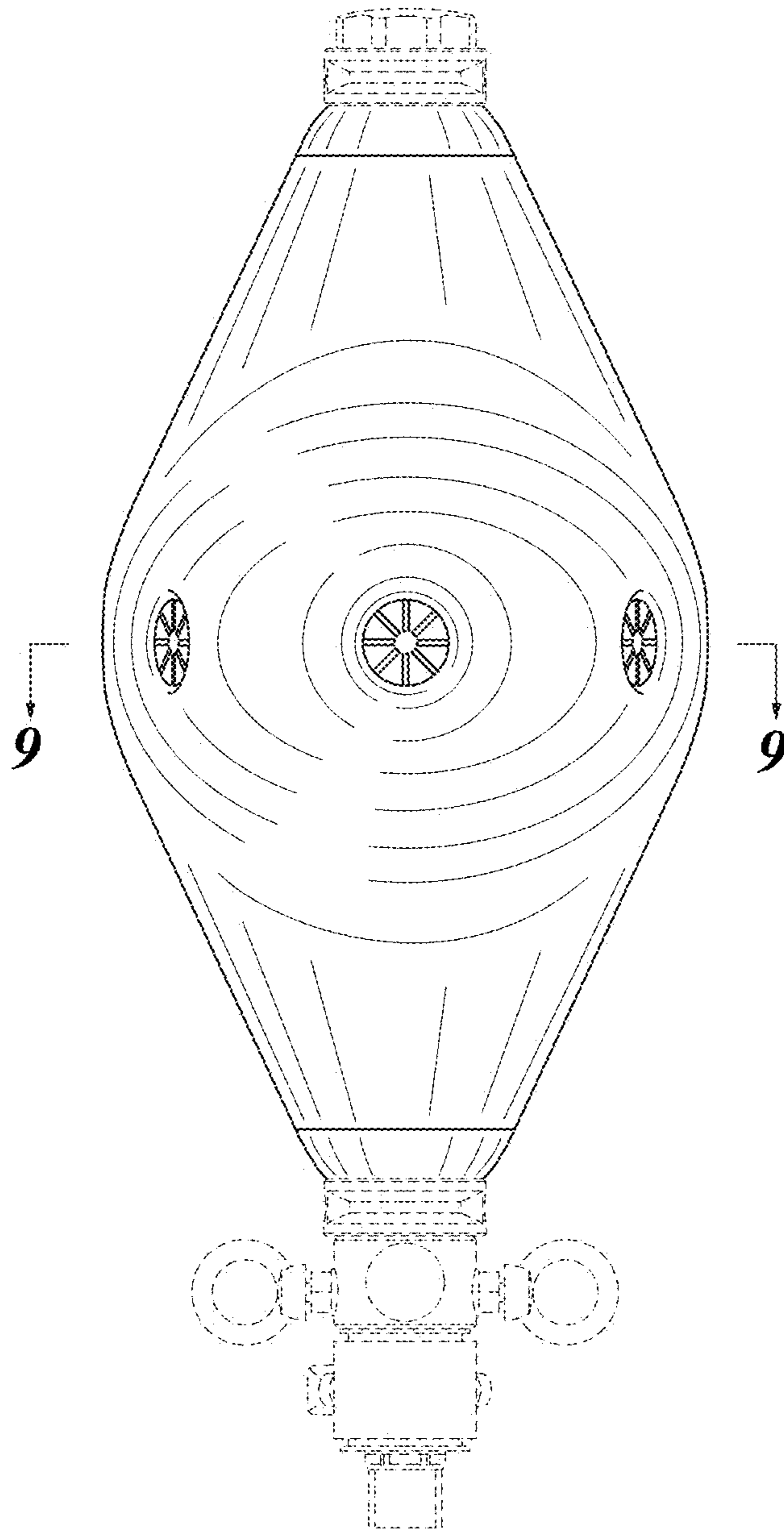


FIG. 4

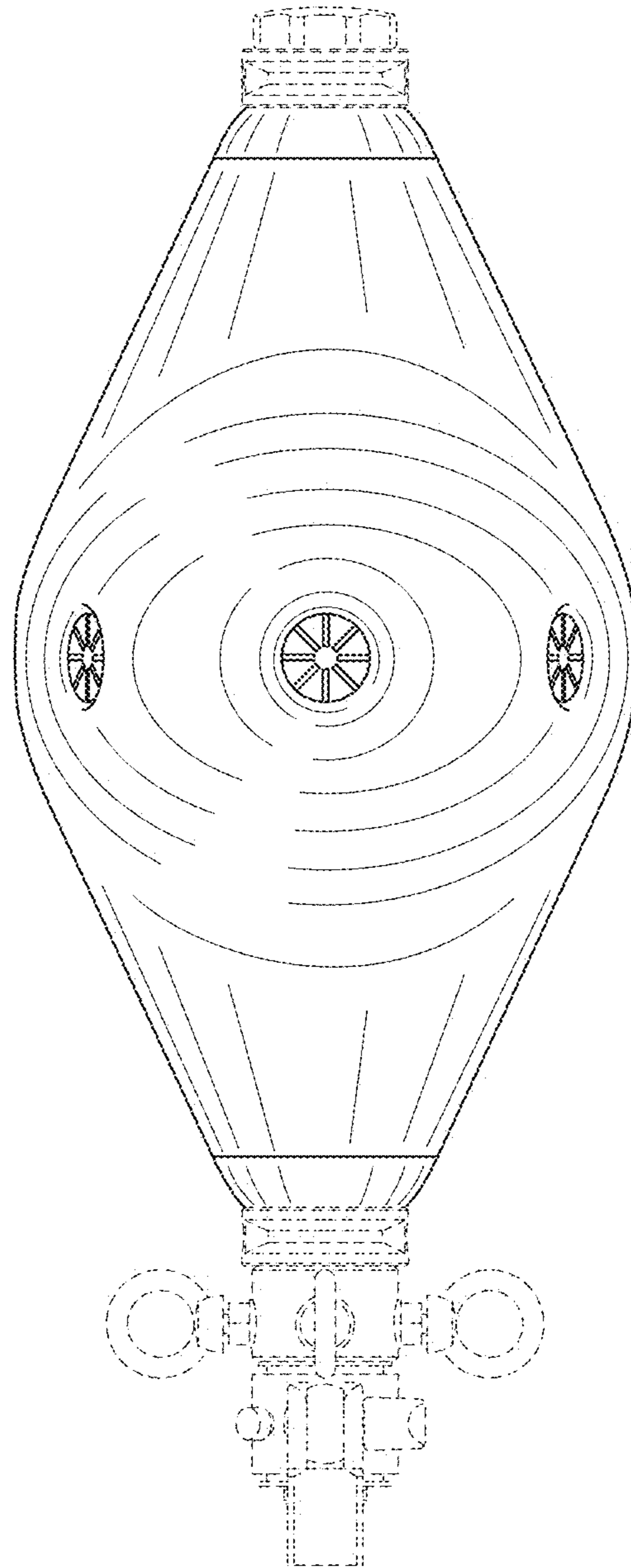


FIG. 5

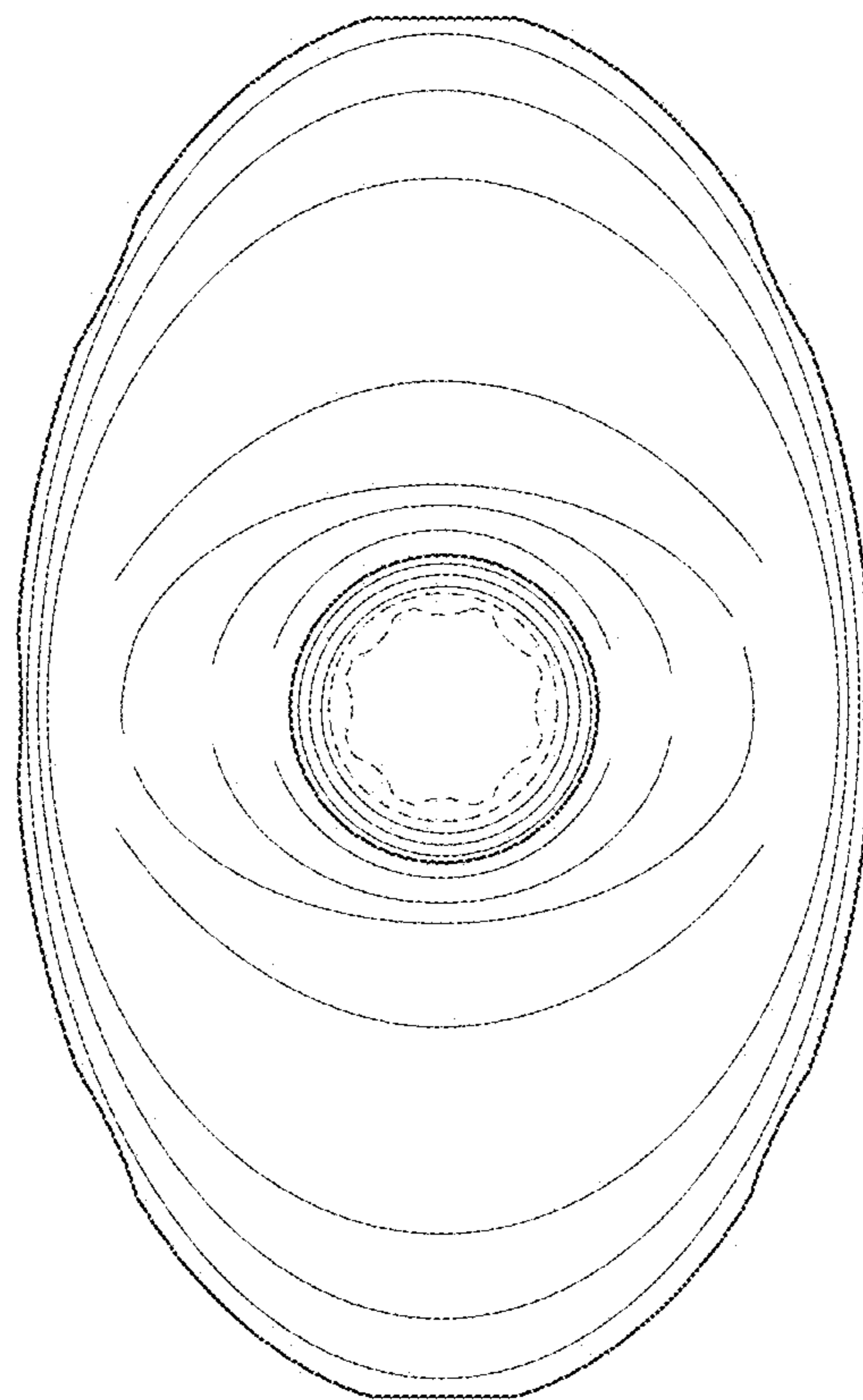


FIG. 6

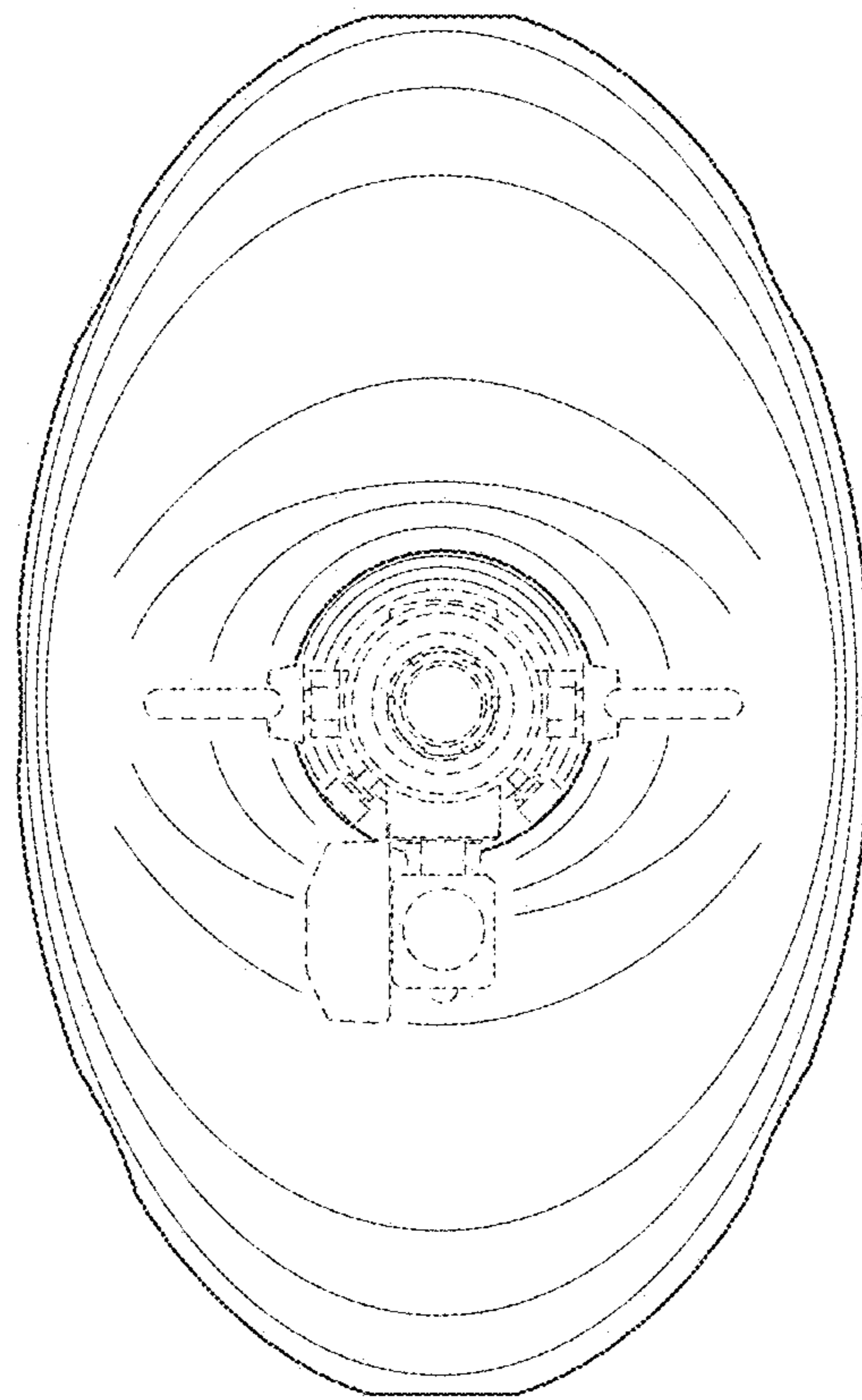


FIG. 7

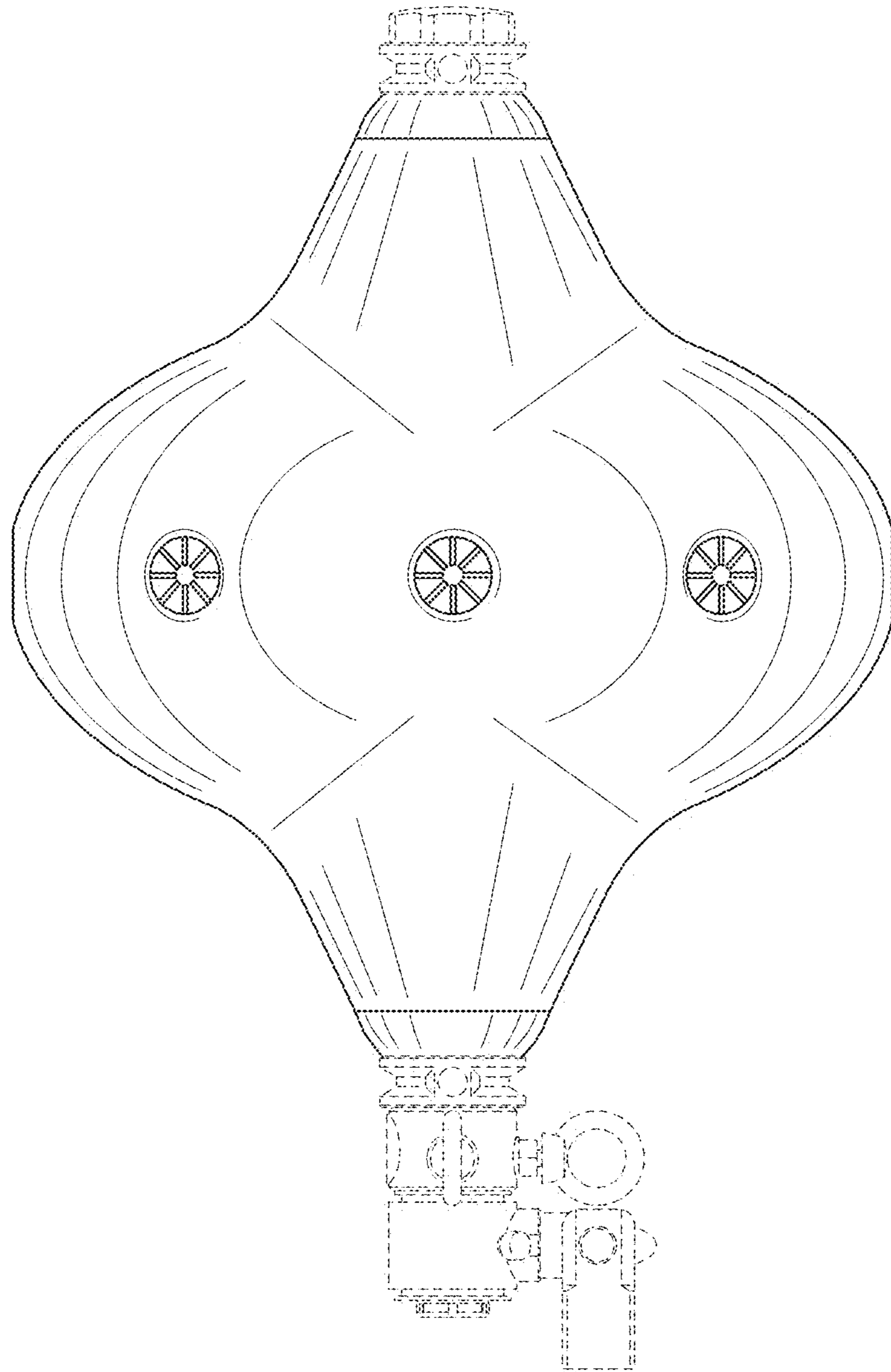


FIG. 8

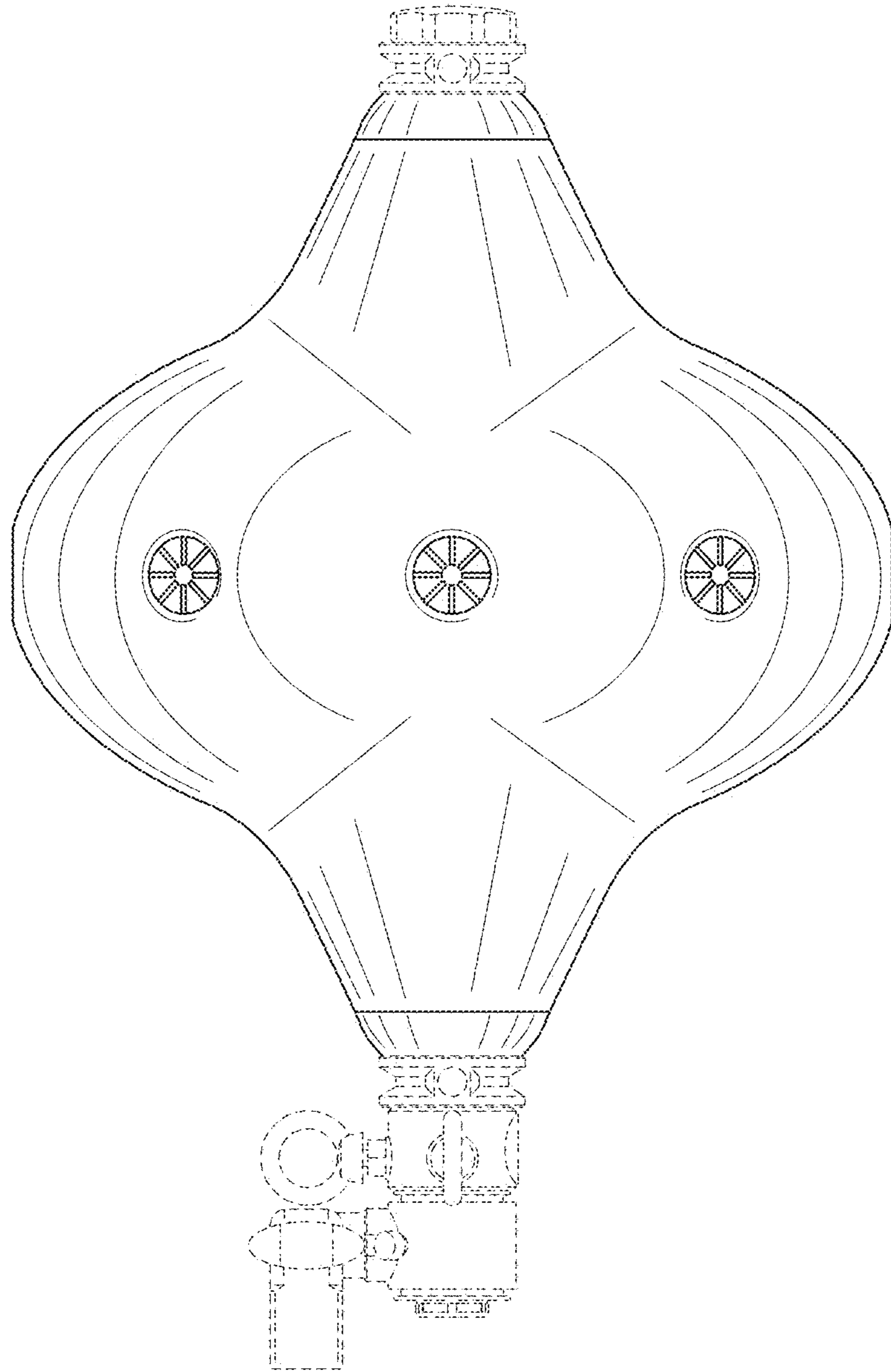


FIG. 9

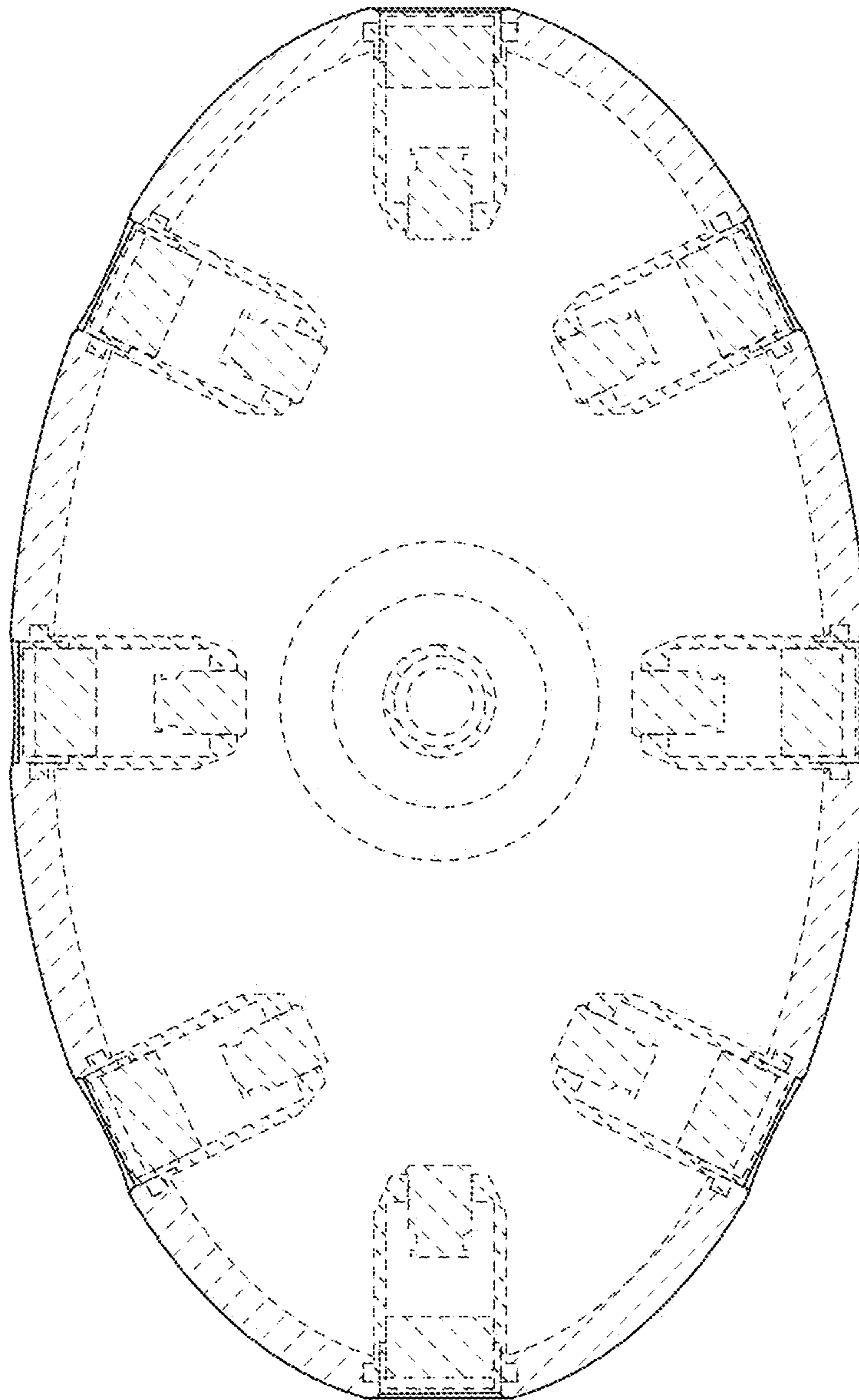


FIG. 10

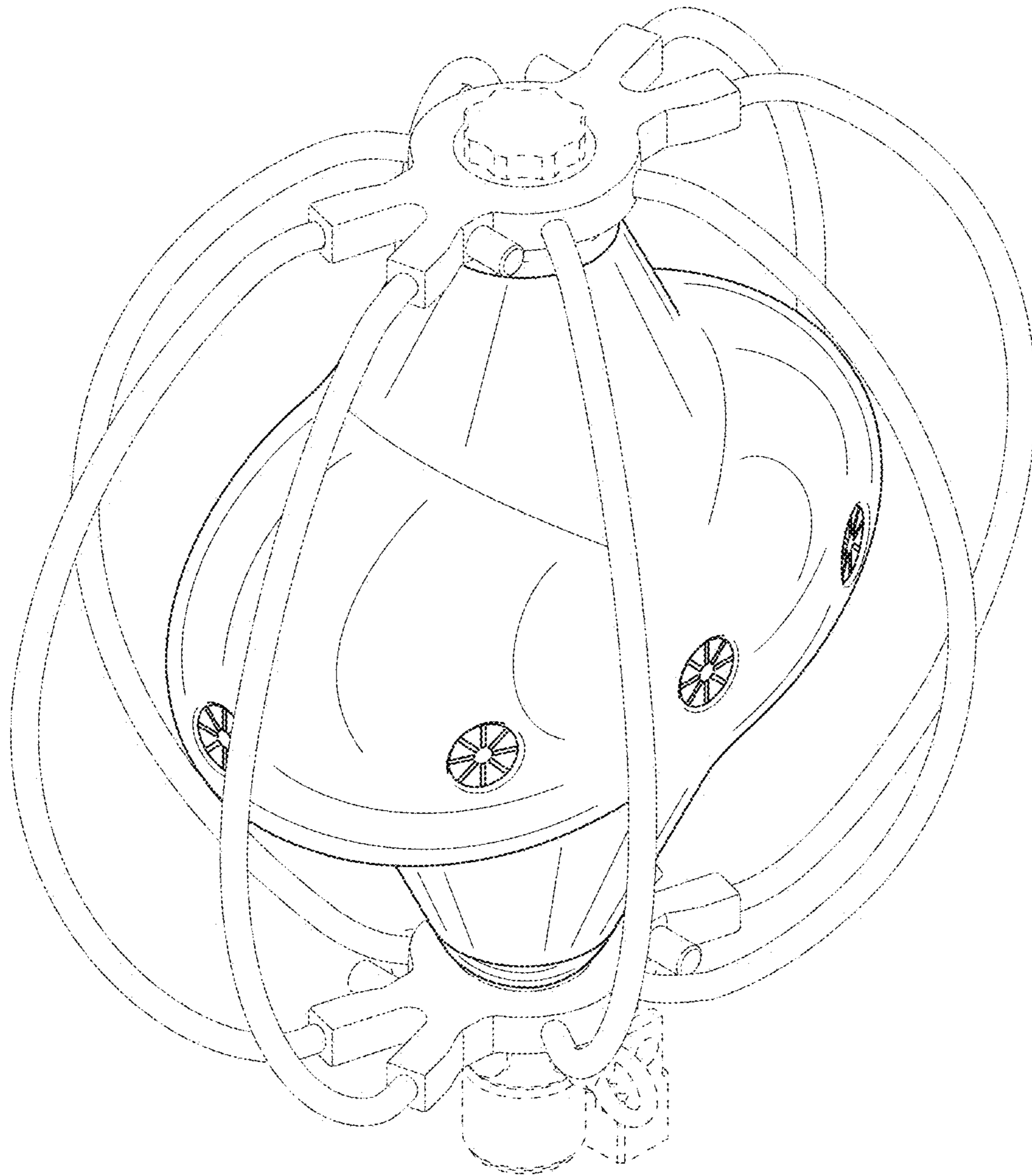


FIG. 11

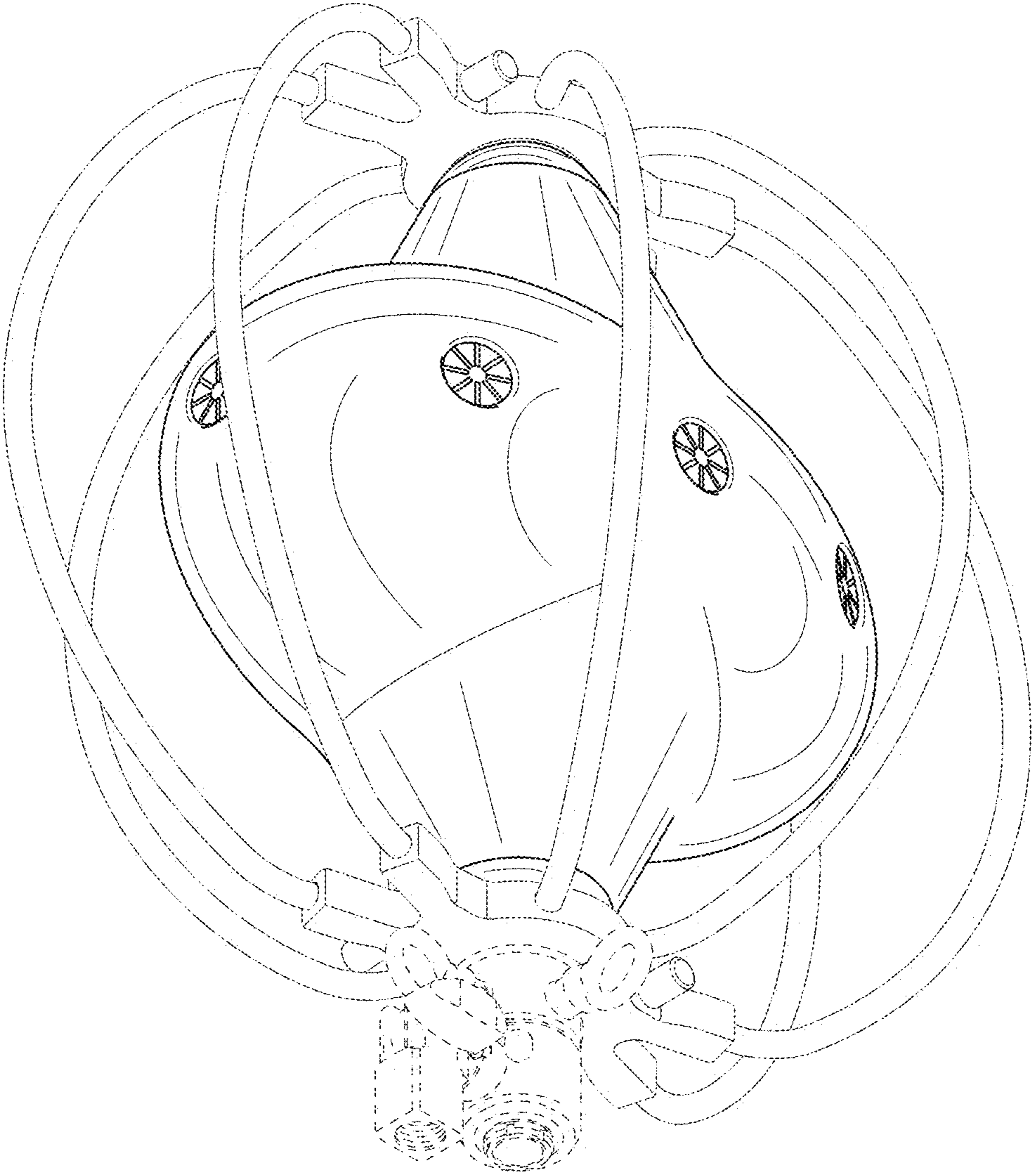


FIG. 12

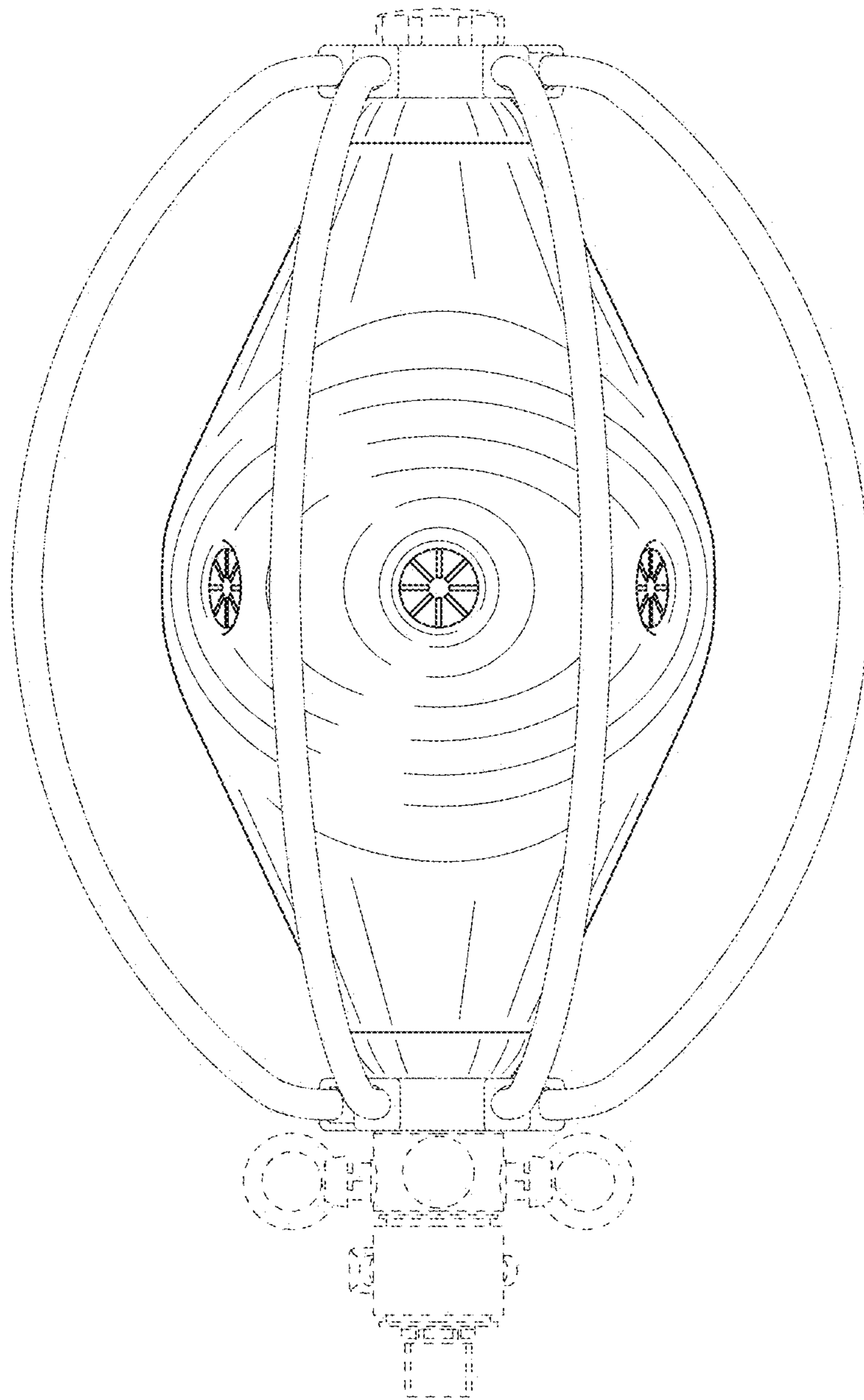


FIG. 13

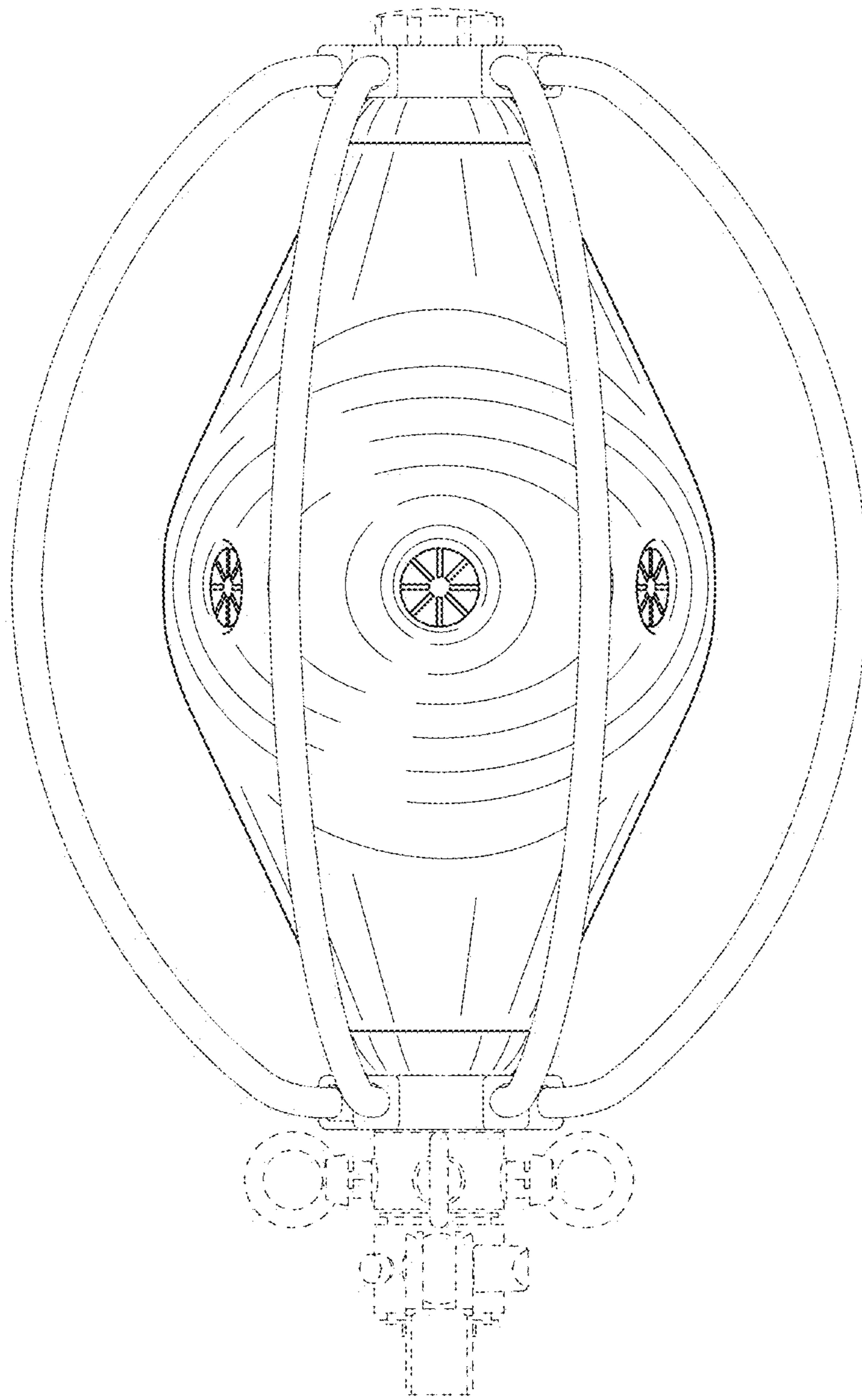


FIG. 14

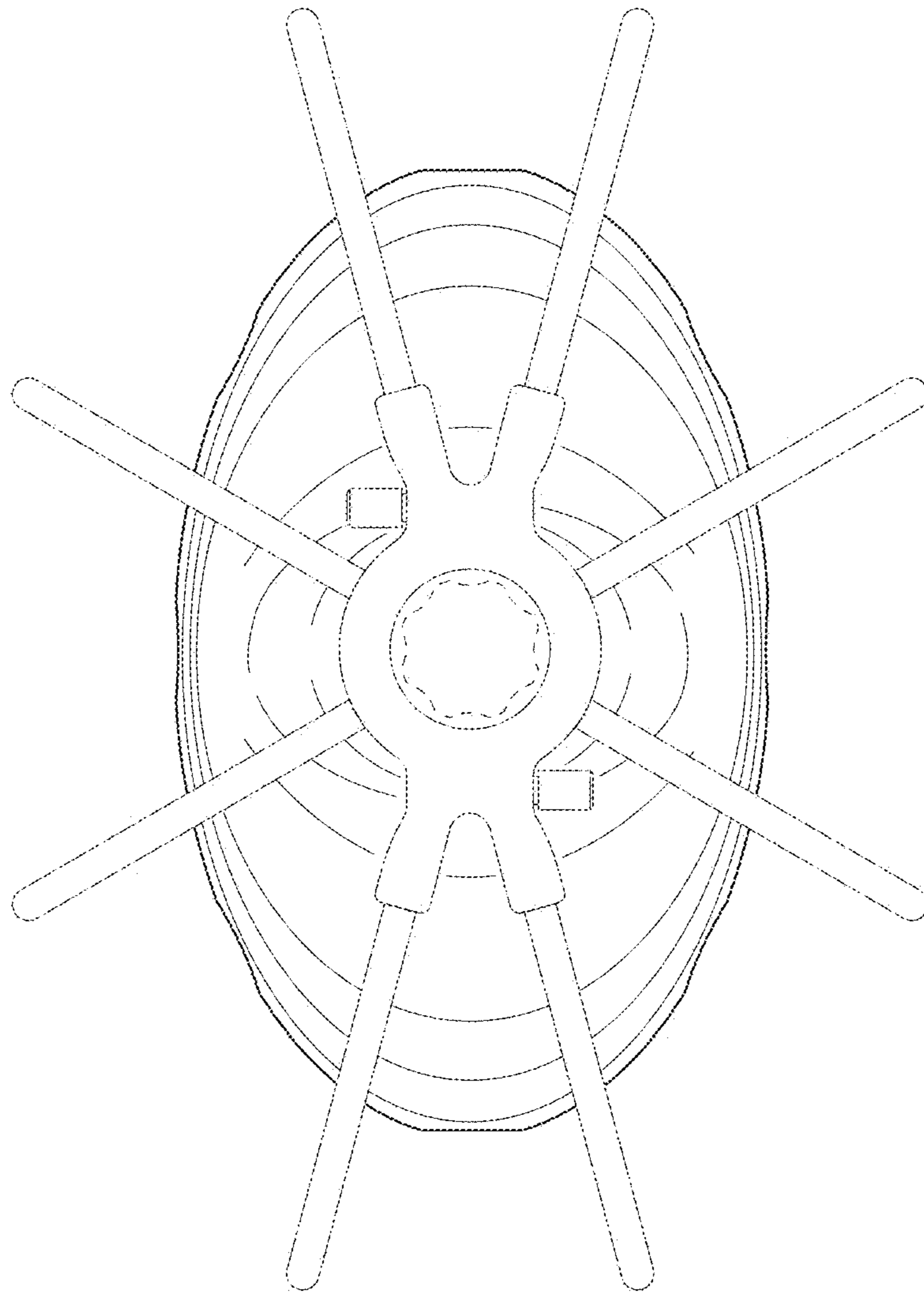


FIG. 15

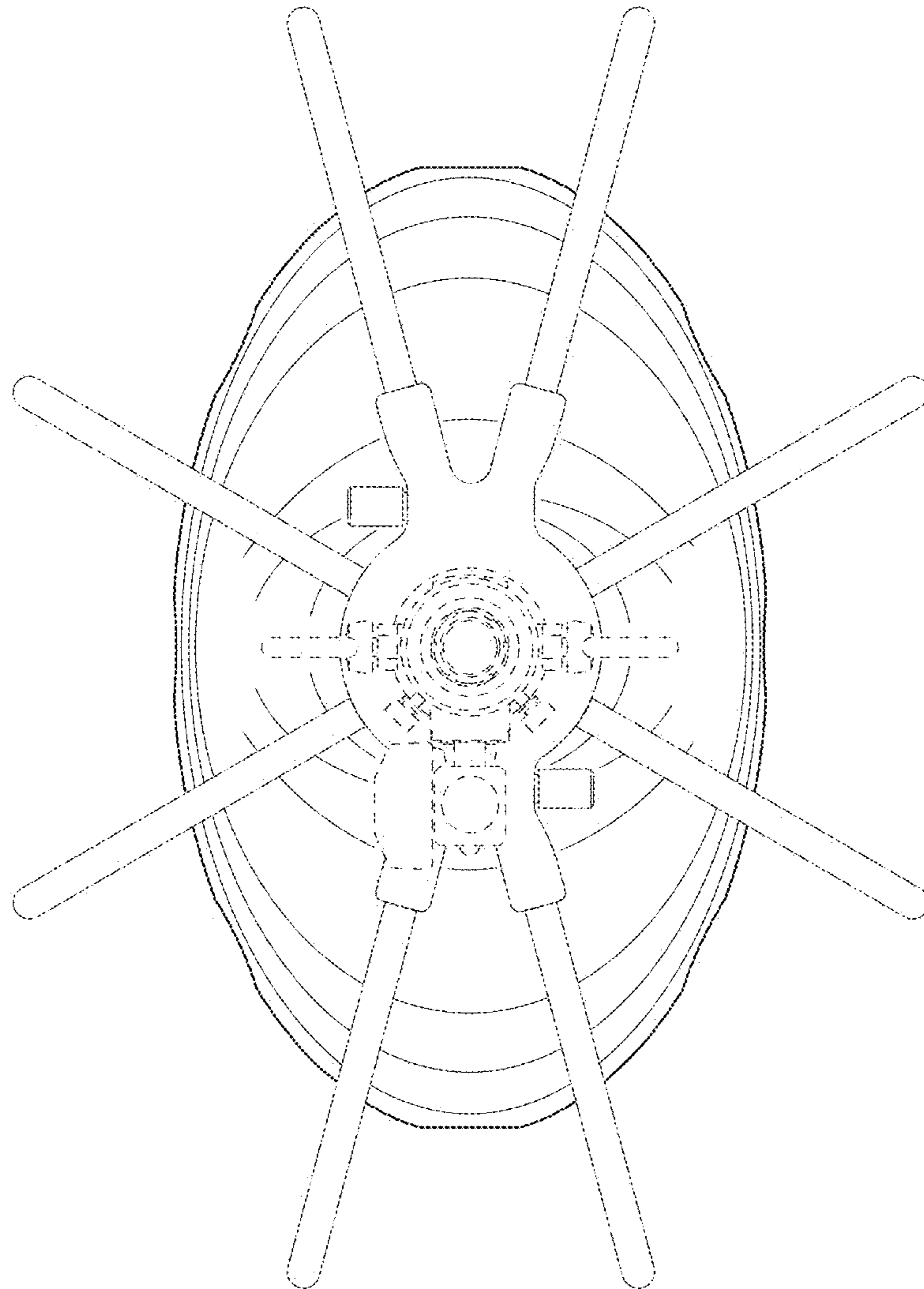


FIG. 16

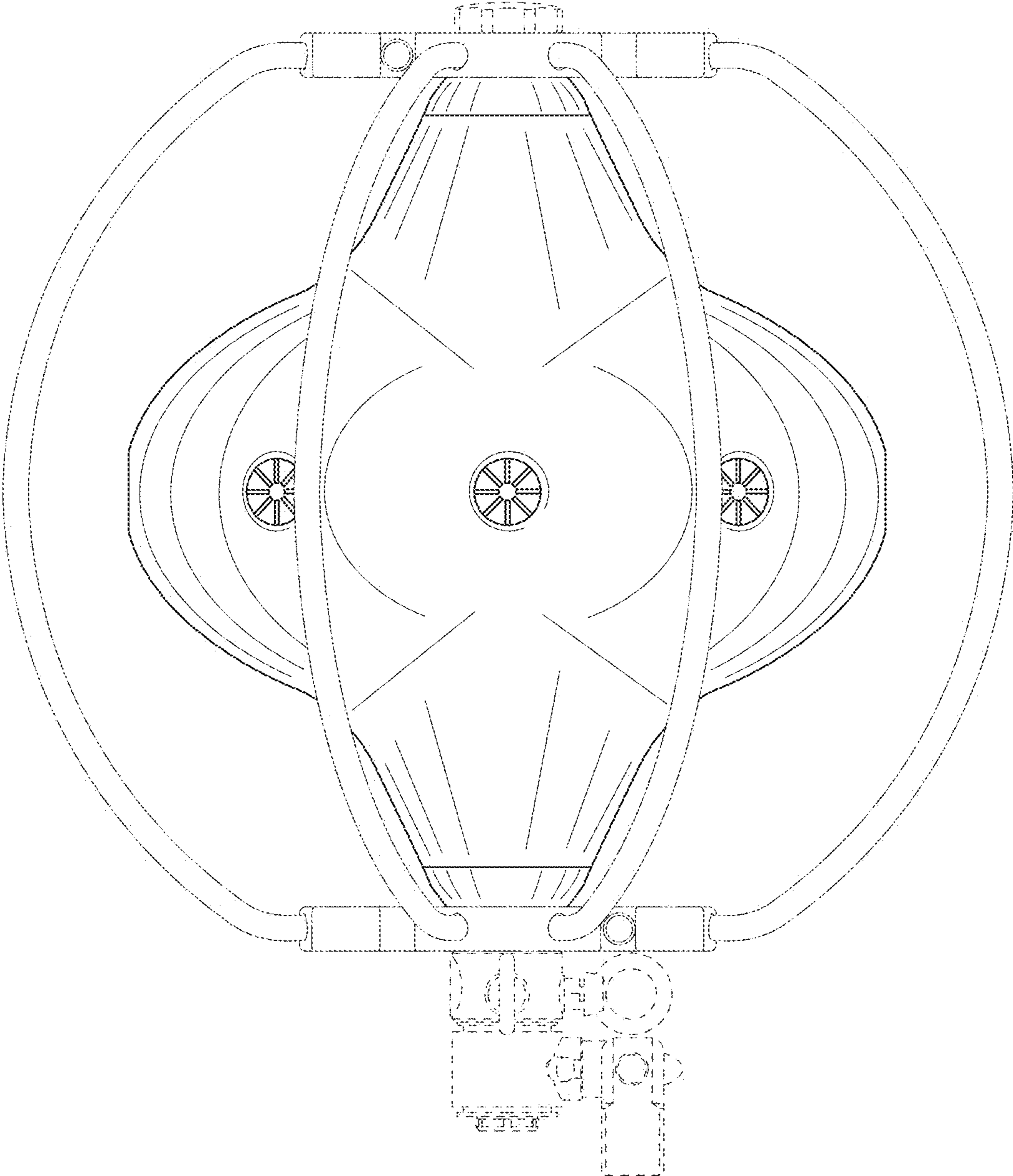


FIG. 17

