



US00D981374S

(12) **United States Design Patent**  
**Rath et al.**

(10) **Patent No.: US D981,374 S**  
(45) **Date of Patent: \*\* \*Mar. 21, 2023**

(54) **BASE STATION FOR WIRELESS TELEPHONE**

(71) Applicant: **GN AUDIO A/S**, Ballerup (DK)

(72) Inventors: **Klaus Rath**, Ballerup (DK); **Michael Sorensen**, Ballerup (DK); **Mads Heje Fuglsang**, Ballerup (DK)

(73) Assignee: **GN AUDIO A/S**, Ballerup (DK)

(\*) Notice: This patent is subject to a terminal disclaimer.

(\*\*) Term: **15 Years**

(21) Appl. No.: **29/662,807**

(22) Filed: **Sep. 8, 2018**

(30) **Foreign Application Priority Data**

Mar. 9, 2018 (EM) ..... 004749026-0001  
Mar. 9, 2018 (EM) ..... 004749026-0002

(Continued)

(51) **LOC (14) Cl.** ..... **14-01**

(52) **U.S. Cl.**  
USPC ..... **D14/224**; D14/251

(58) **Field of Classification Search**  
USPC ..... D14/250–254, 224, 224.1, 238.1, 432,  
D14/434, 447, 451, 452, 483, 149;  
D13/107, 108, 110, 184  
(Continued)

(56) **References Cited**

**U.S. PATENT DOCUMENTS**

D482,674 S \* 11/2003 Rath ..... D14/206  
D486,492 S \* 2/2004 Sheu ..... D14/434  
(Continued)

**FOREIGN PATENT DOCUMENTS**

EM 004375285-0001 \* 10/2017  
EM 004375285-0002 \* 10/2017

(Continued)

**OTHER PUBLICATIONS**

“Unboxing the Jabra Evolve 75 with Danny Hayasaka,” Jabra Evolve 75 headphone stand pictured therein [online]. Posted on May 3, 2017. [Retrieved from the Internet May 4, 2021.] <URL: <https://www.youtube.com/watch?v=yz3K3eUX6cU&t=2s>>.\*

*Primary Examiner* — Rebekah A Caruso

(74) *Attorney, Agent, or Firm* — Hamre, Schumann, Mueller & Larson, P.C.

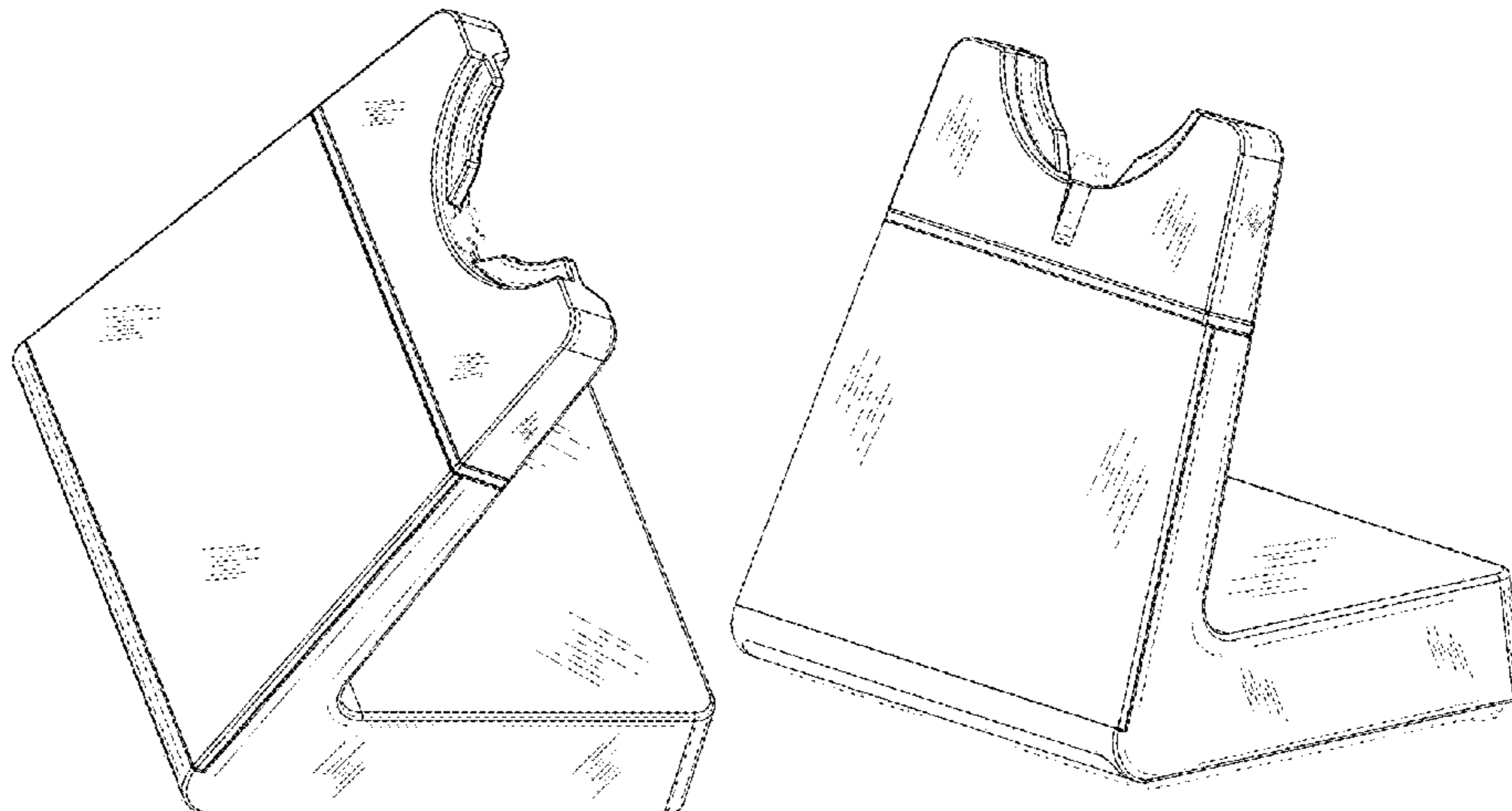
(57) **CLAIM**

The ornamental design for a base station for wireless telephone, as shown and described.

**DESCRIPTION**

FIG. 1 is a front view of a first embodiment of the base station for wireless telephone.  
FIG. 2 is a top view of FIG. 1 thereof.  
FIG. 3 is a bottom view of FIG. 1 thereof.  
FIG. 4 is a left side view of FIG. 1 thereof.  
FIG. 5 is a right side view of FIG. 1 thereof.  
FIG. 6 is a back view of FIG. 1 thereof.  
FIG. 7 is a front perspective view of FIG. 1 thereof.  
FIG. 8 is a back perspective view of FIG. 1 thereof.  
FIG. 9 is a front view of a second embodiment of the base station for wireless telephone.  
FIG. 10 is a top view of FIG. 9 thereof.  
FIG. 11 is a bottom view of FIG. 9 thereof.  
FIG. 12 is a left side view of FIG. 9 thereof.  
FIG. 13 is a right side view of FIG. 9 thereof.  
FIG. 14 is a back view of FIG. 9 thereof.  
FIG. 15 is a rear perspective view of FIG. 9 thereof; and, FIG. 16 is a front perspective view of FIG. 9 thereof.  
The broken lines immediately adjacent the shaded areas represent the bounds of the claimed design while all other

(Continued)



broken lines are directed to environment and are for illustrative purposes only; the broken lines form no part of the claimed design.

**1 Claim, 16 Drawing Sheets**

(30) **Foreign Application Priority Data**

Mar. 9, 2018 (EM) ..... 004749026-0003  
 Mar. 9, 2018 (EM) ..... 004749026-0004  
 Mar. 9, 2018 (EM) ..... 004749026-0005  
 Mar. 9, 2018 (EM) ..... 004749026-0006  
 Mar. 9, 2018 (EM) ..... 004749026-0007  
 Mar. 9, 2018 (EM) ..... 004749026-0008  
 Mar. 9, 2018 (EM) ..... 004749026-0009  
 Mar. 9, 2018 (EM) ..... 004749026-0010

(58) **Field of Classification Search**

CPC ..... B60R 11/00; B60R 11/02; B60R 11/0241;  
 B60R 11/0252; B60R 2011/0003; B60R  
 2011/0005; B60R 2011/0008; H04M  
 1/04; H04M 1/72502; H04B 1/3877;  
 F16M 11/02; F16M 11/041

See application file for complete search history.

(56)

**References Cited**

U.S. PATENT DOCUMENTS

D602,008	S	*	10/2009	Bentley	.....	D14/205
D606,545	S	*	12/2009	Salmon	.....	D13/108
D662,089	S	*	6/2012	Gougherty	.....	D14/224
D669,888	S	*	10/2012	Gougherty	.....	D14/224
D765,623	S	*	9/2016	Yang	.....	D14/224
D767,508	S	*	9/2016	Dimberg	.....	D13/168
D788,076	S	*	5/2017	Swendseid	.....	D14/217
D795,202	S	*	8/2017	Dimberg	.....	D13/168
D834,562	S	*	11/2018	Davids	.....	D14/224
D870,038	S	*	12/2019	Zeng	.....	D13/108
D881,022	S	*	4/2020	Long	.....	D10/2
D918,183	S	*	5/2021	Kelley	.....	D14/224
D923,565	S	*	6/2021	Zeng	.....	D13/108
D926,773	S	*	8/2021	Solomon	.....	D14/447

FOREIGN PATENT DOCUMENTS

EM	004375285-0003	*	10/2017
EM	004375285-0004	*	10/2017
EM	004375285-0005	*	10/2017

\* cited by examiner

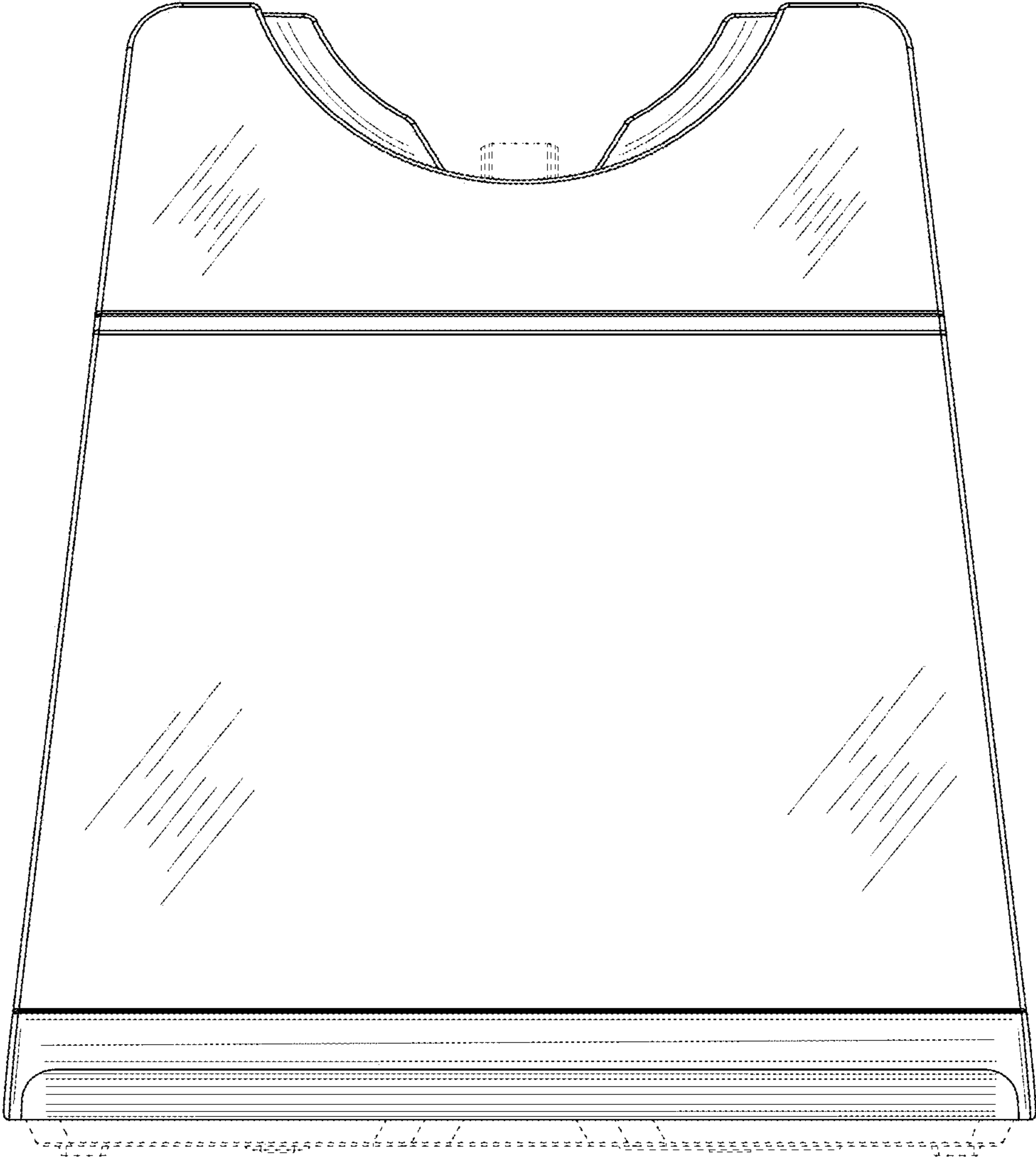


FIG. 1

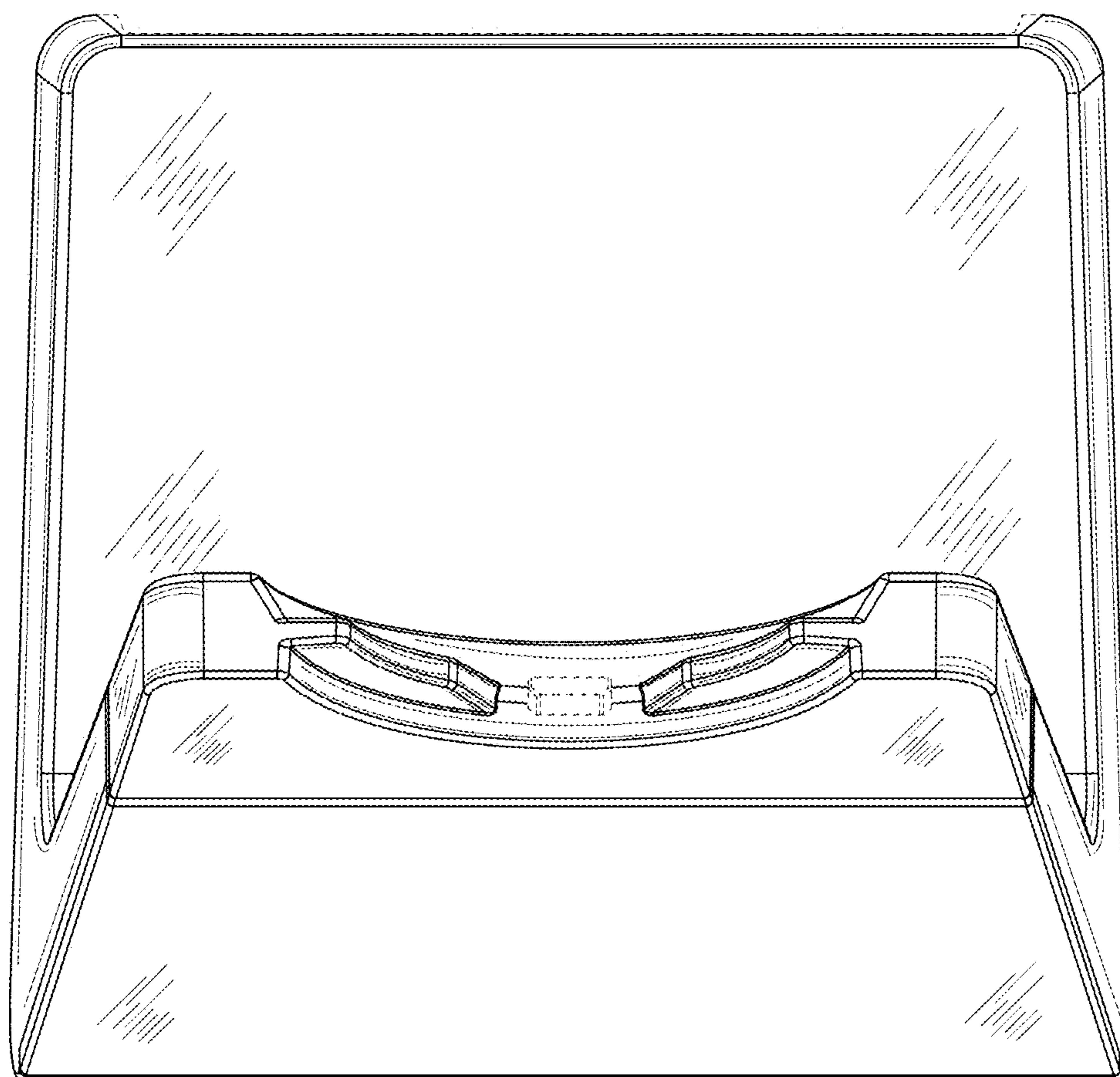


FIG. 2

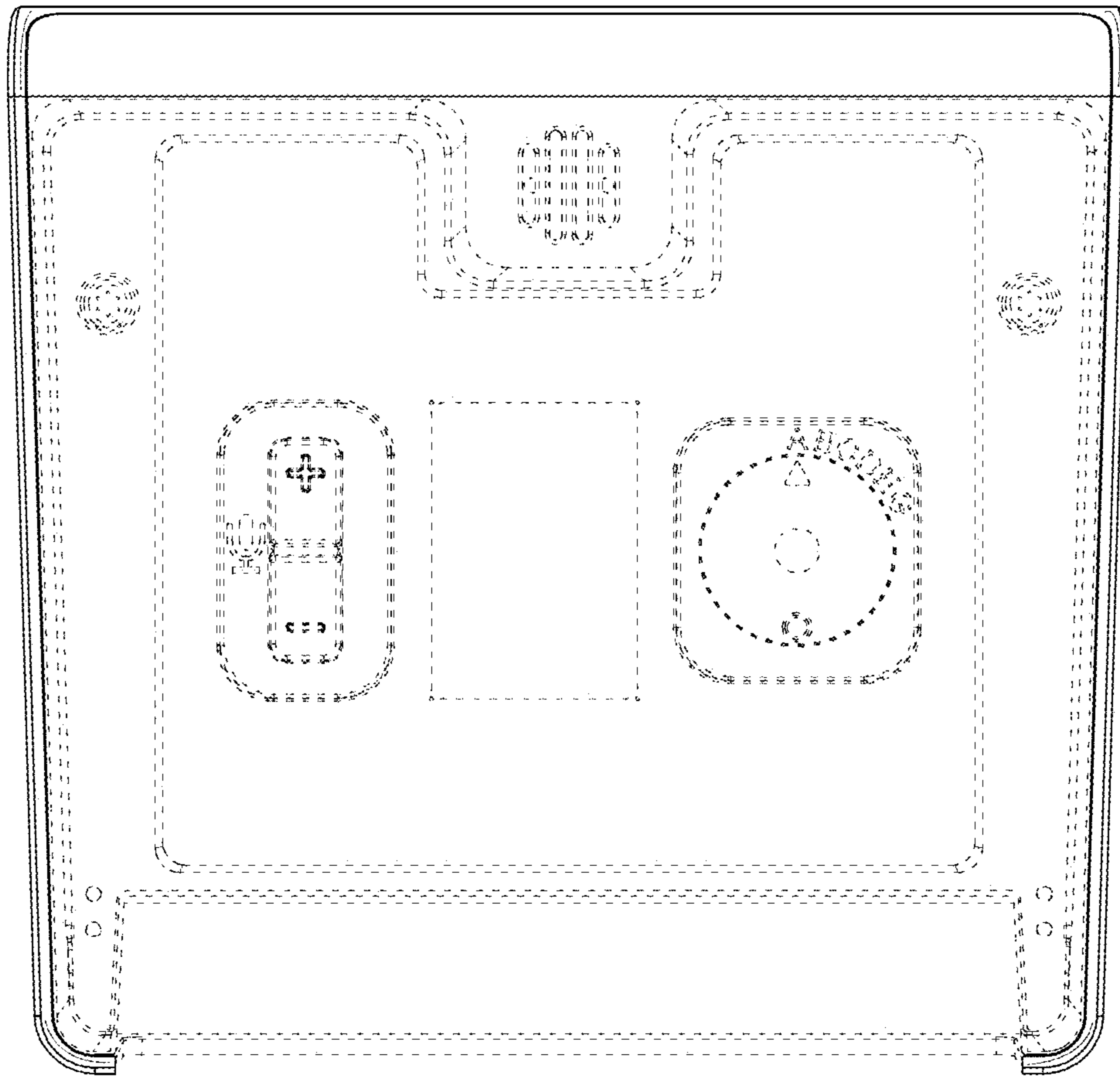


FIG. 3

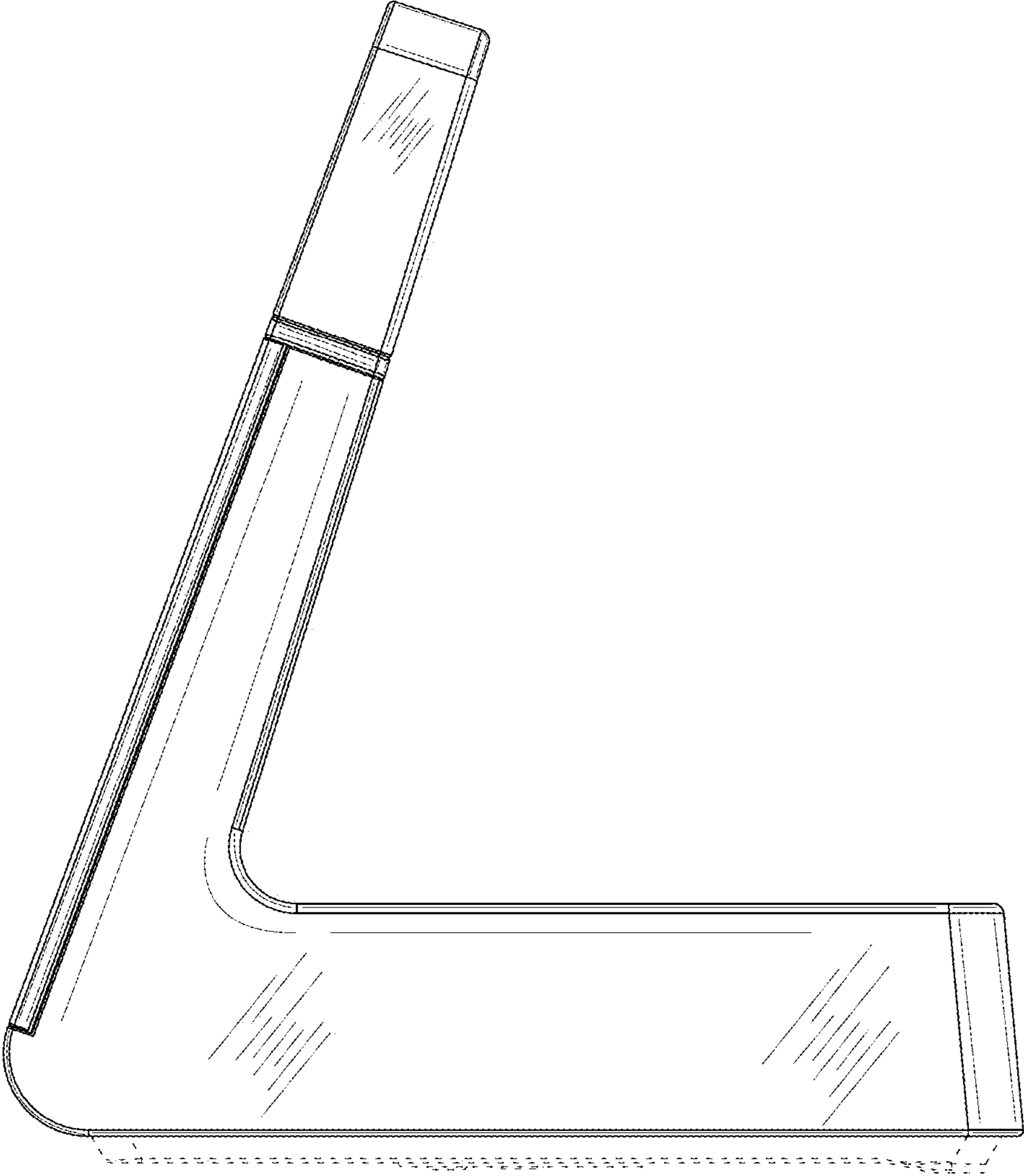


FIG. 4

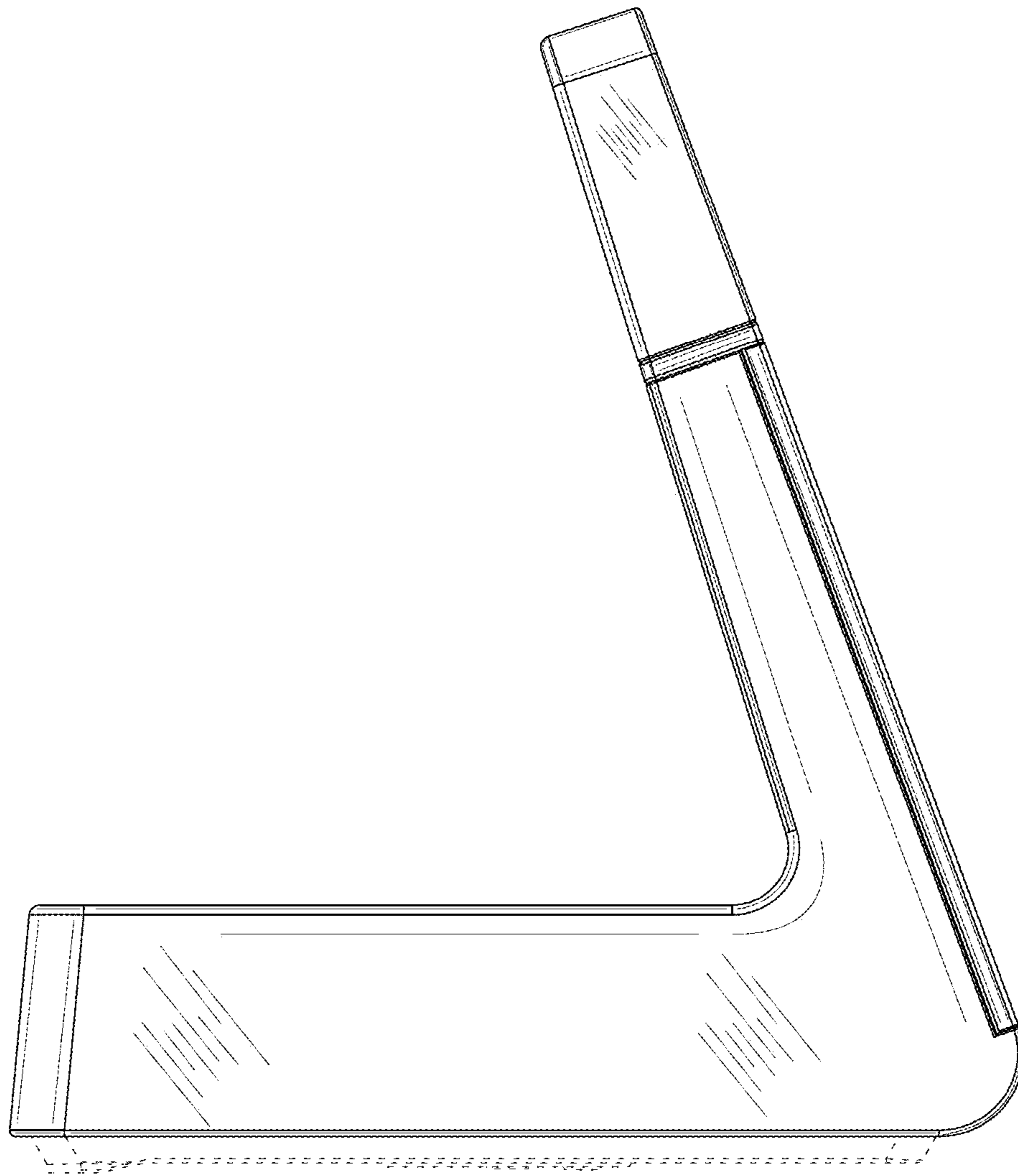


FIG. 5

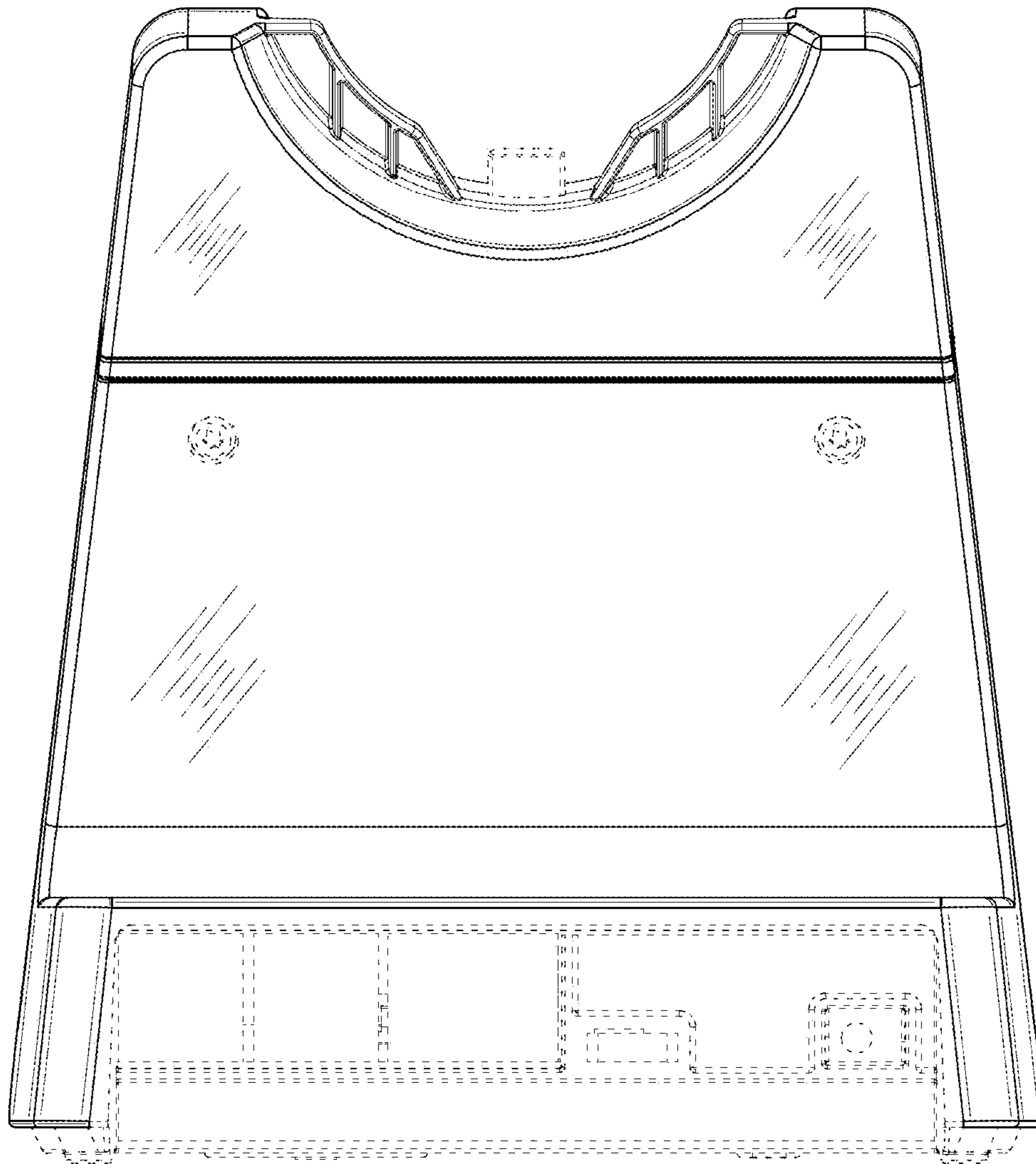


FIG. 6



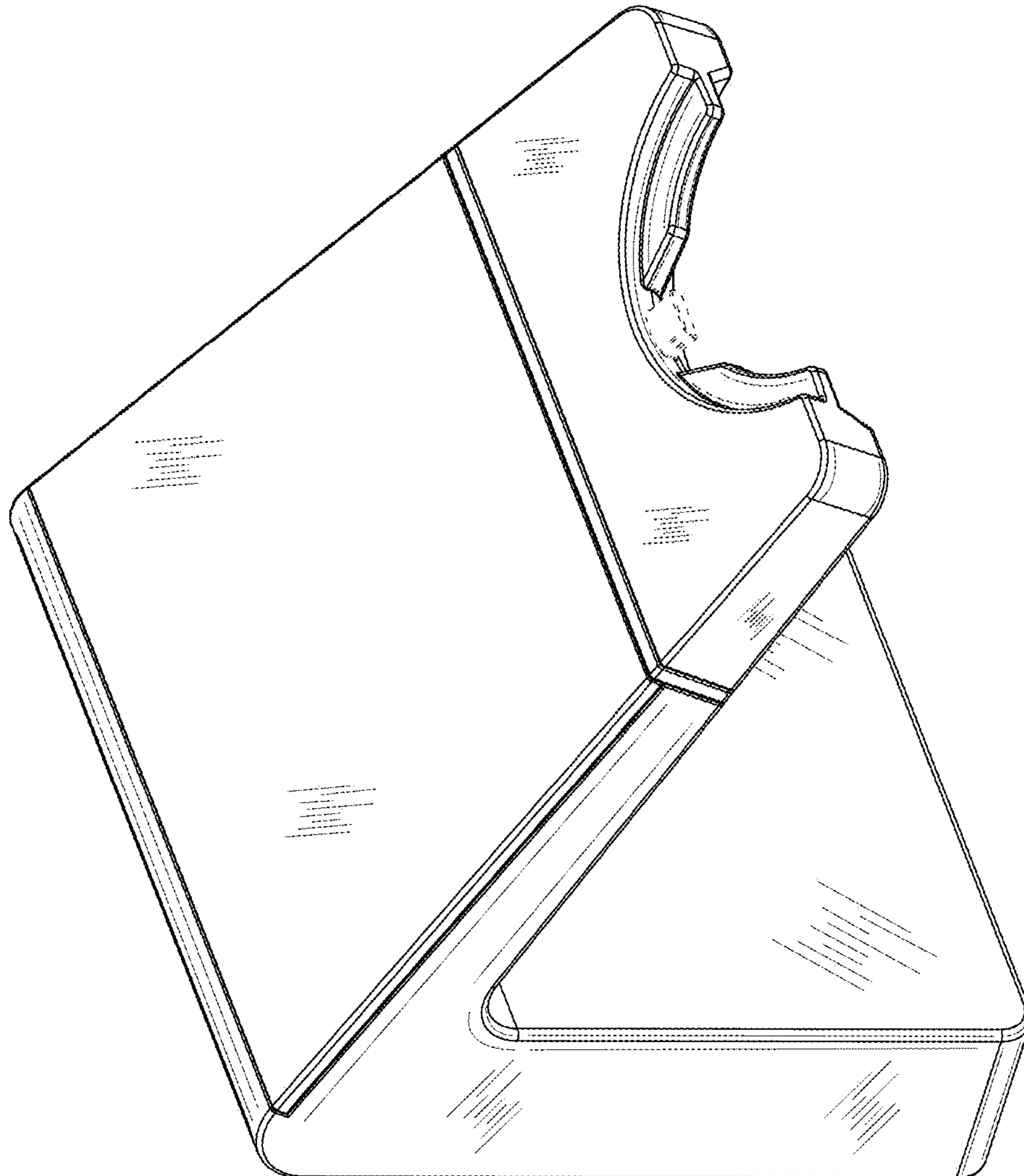


FIG. 7

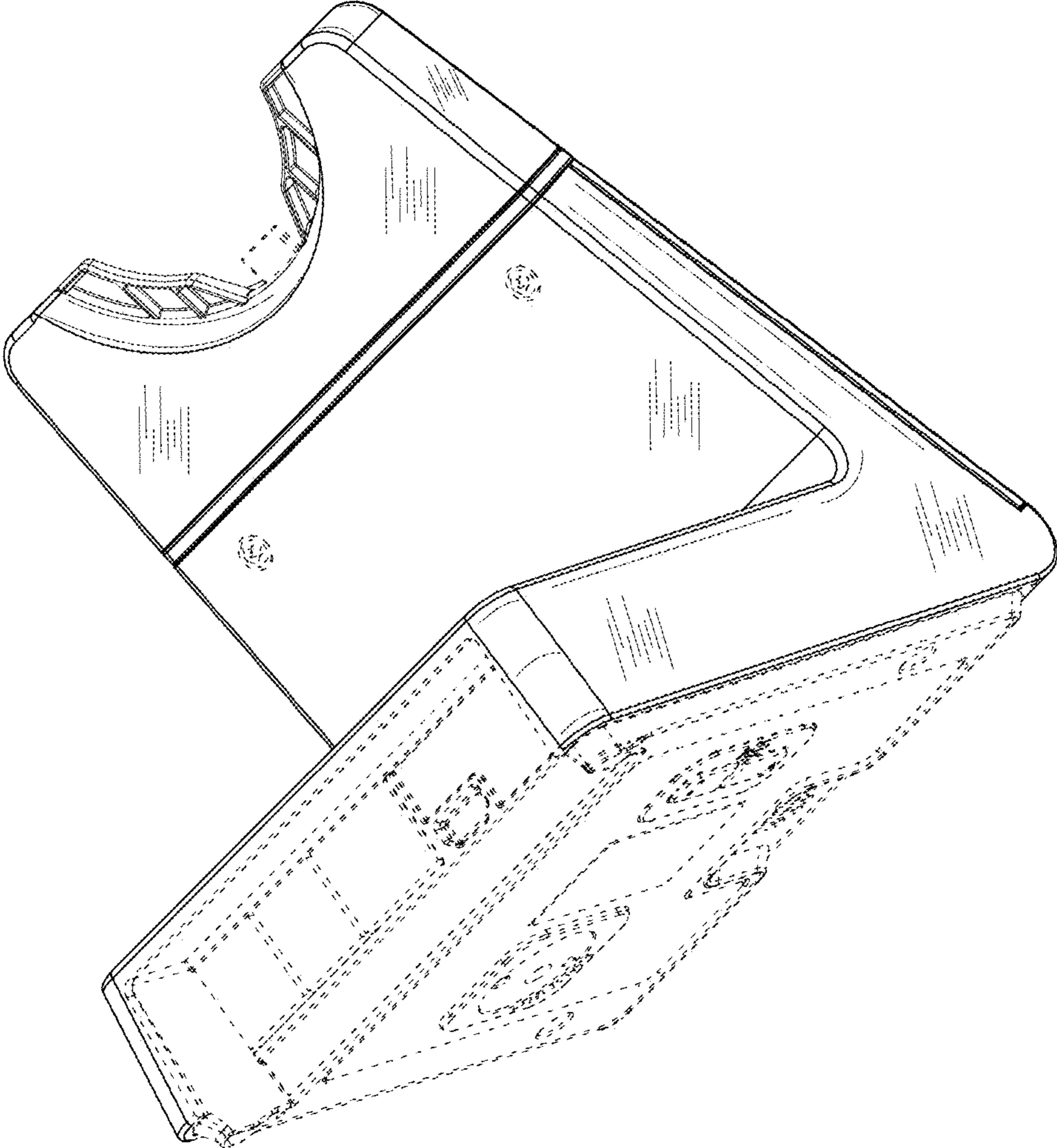


FIG. 8

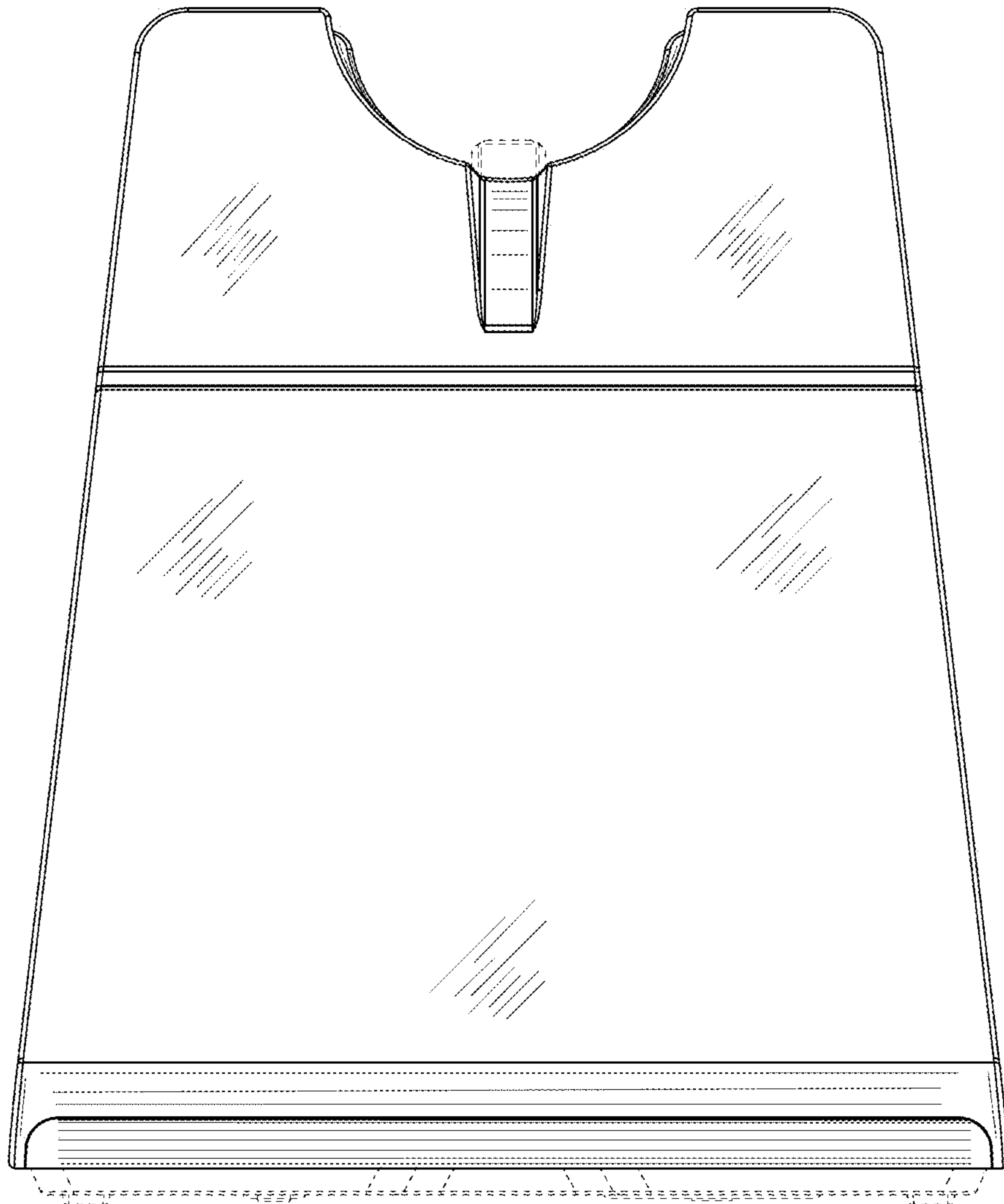


FIG. 9

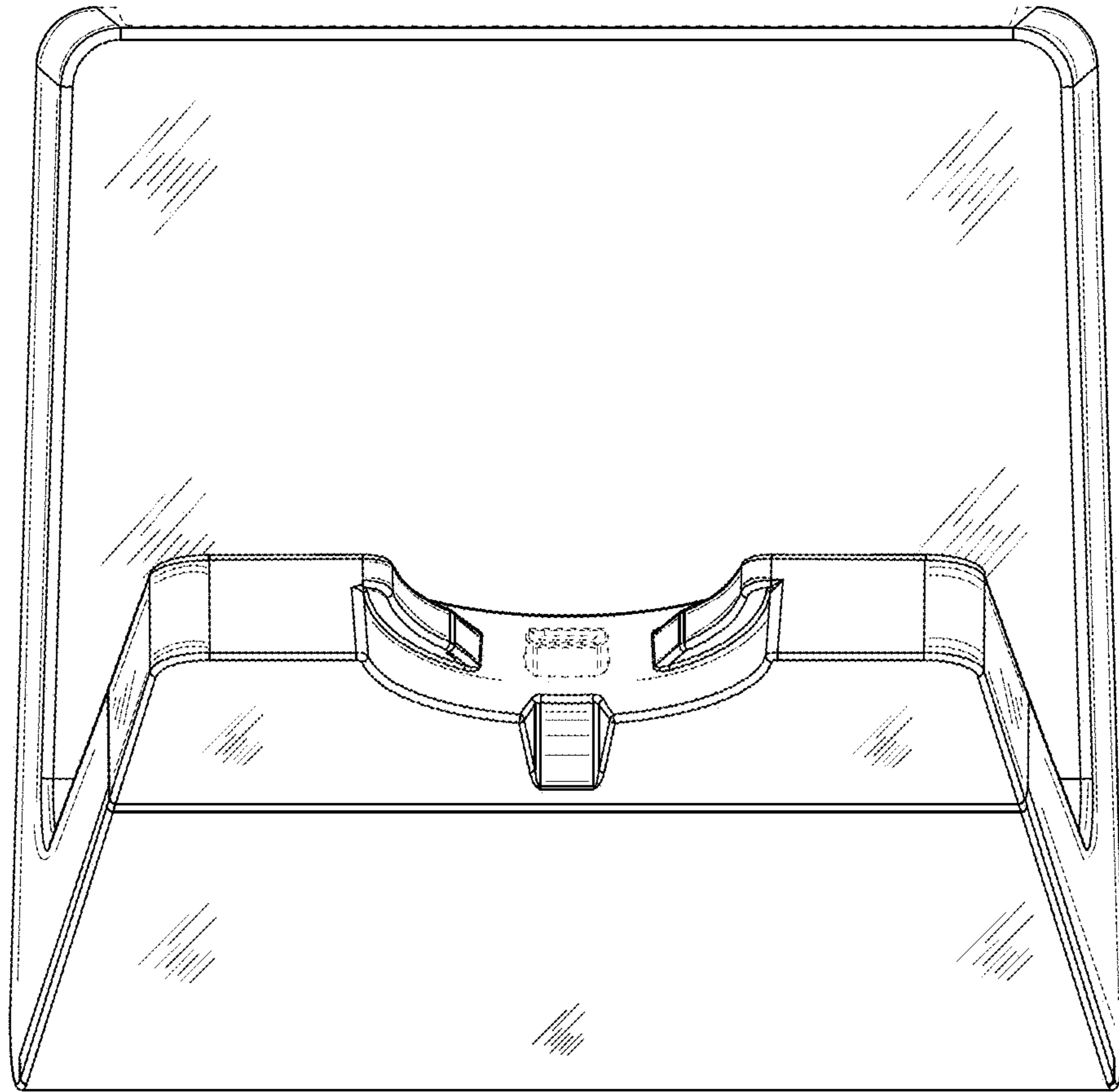


FIG. 10

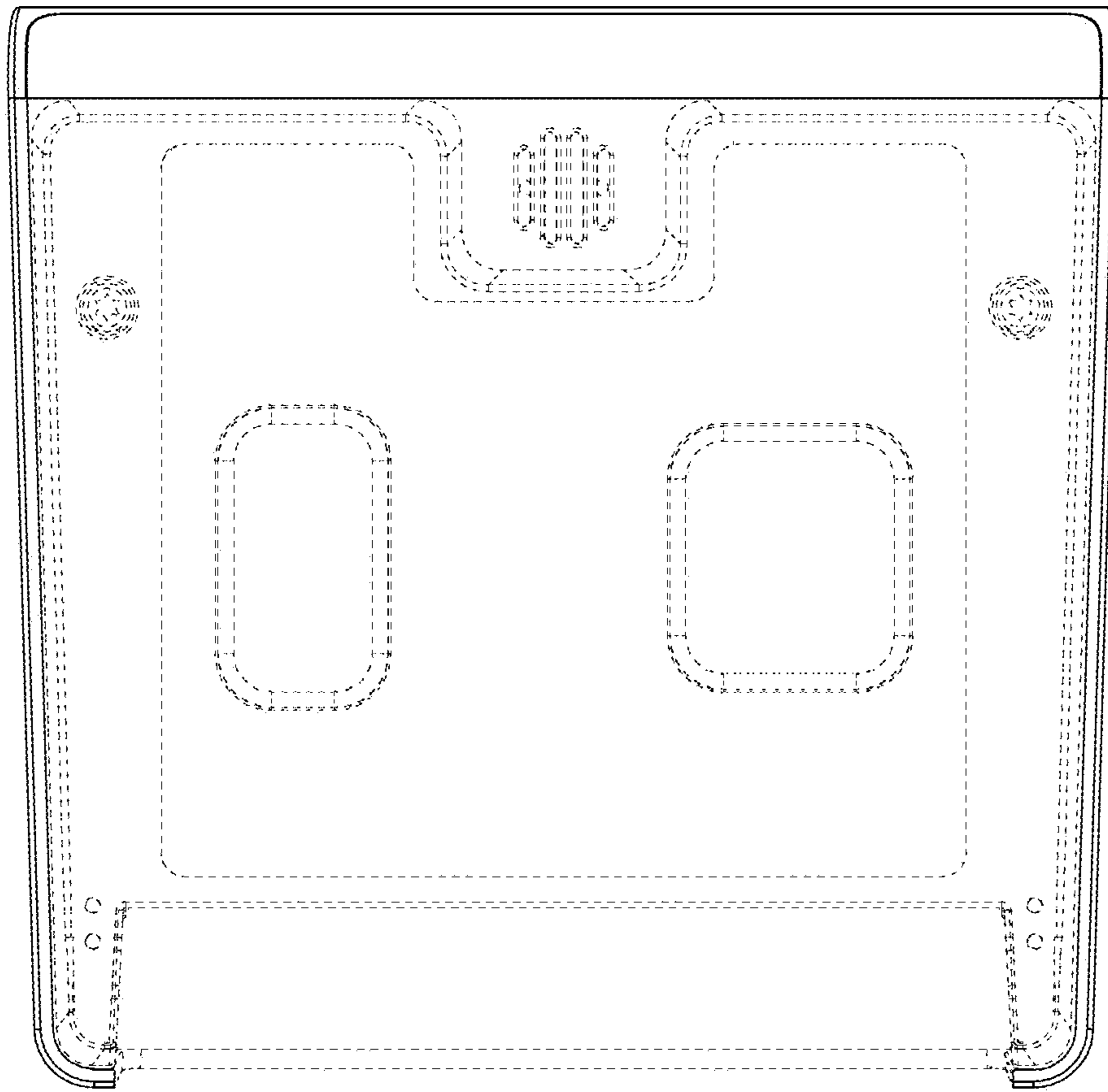


FIG. 11

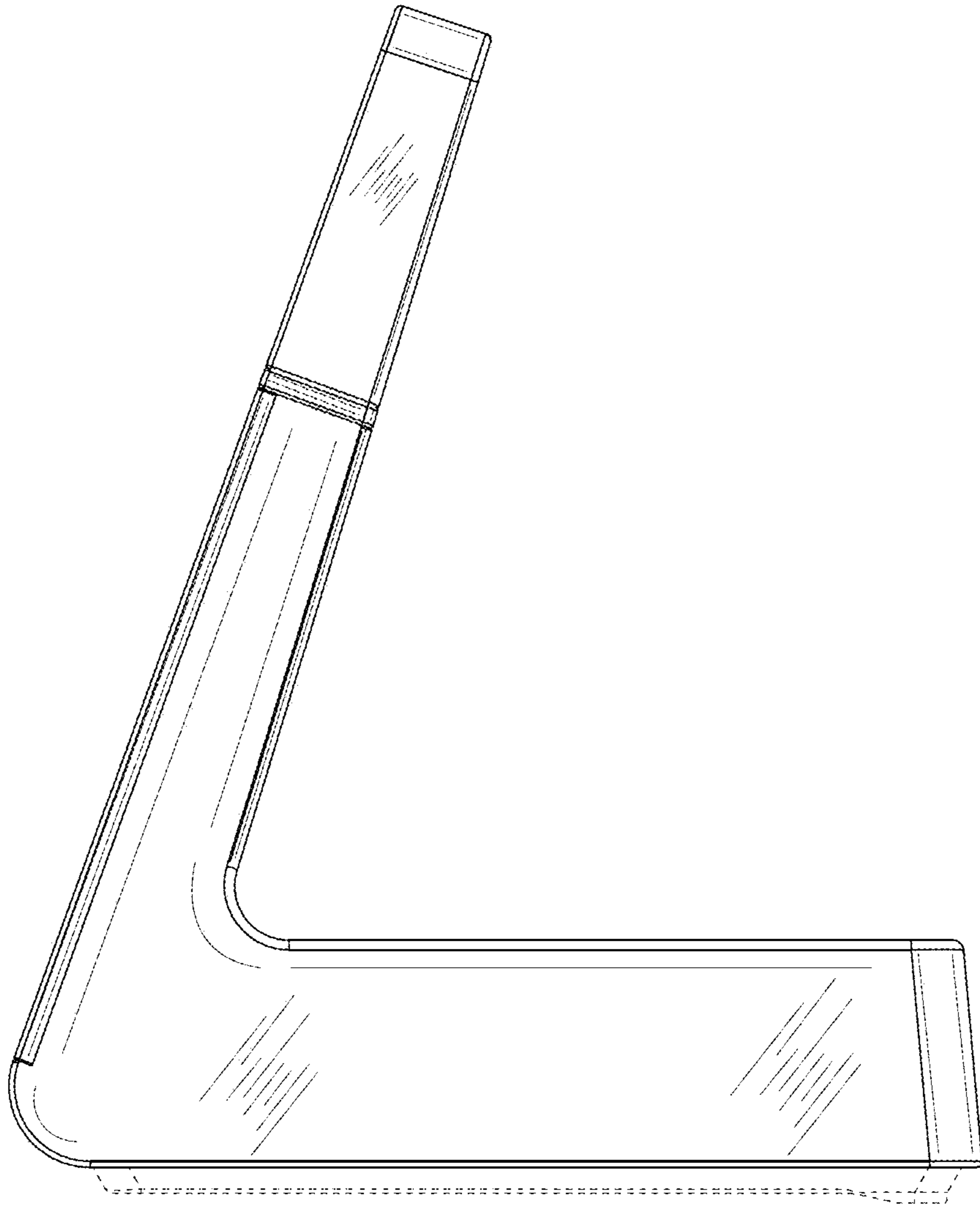


FIG. 12

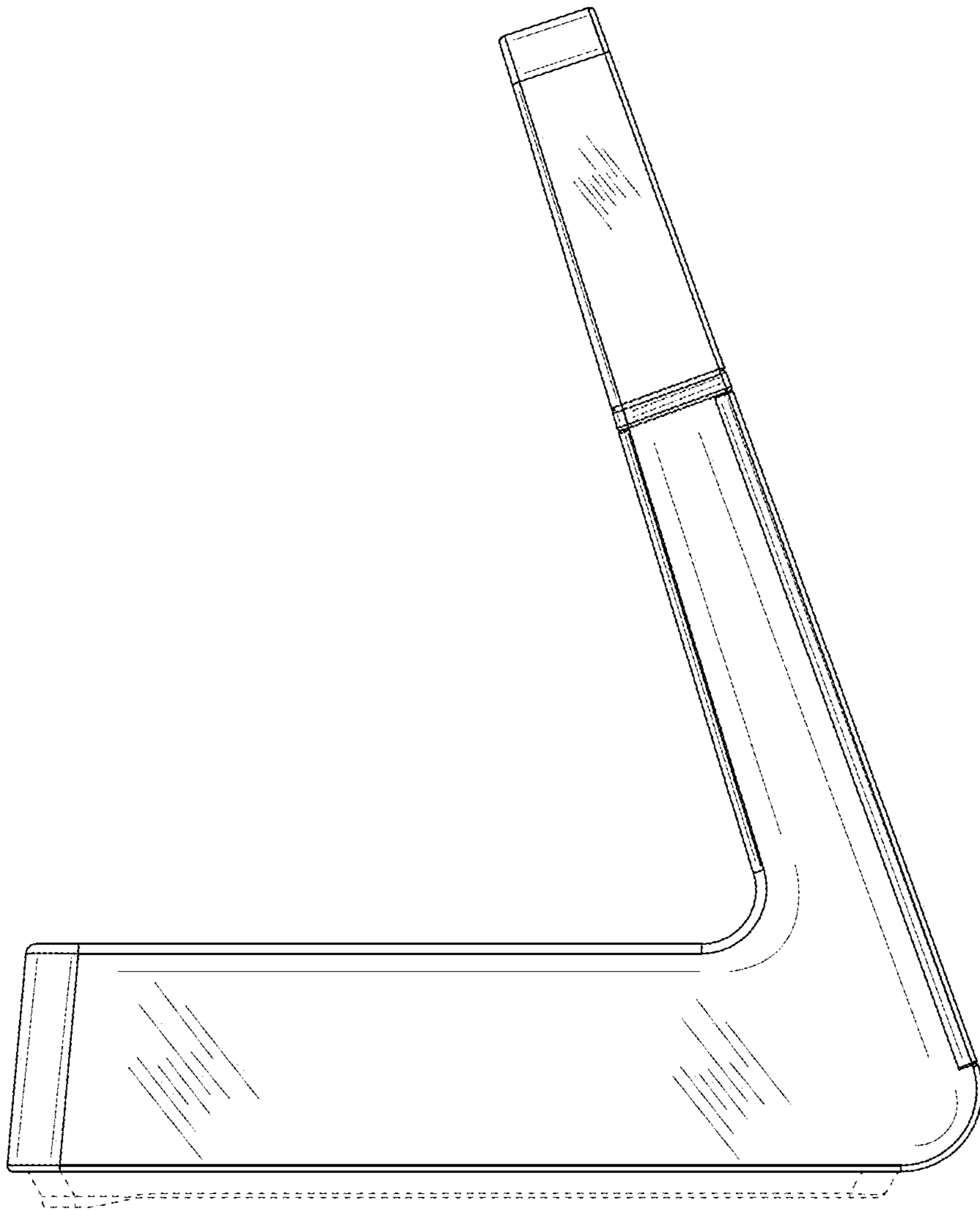


FIG. 13

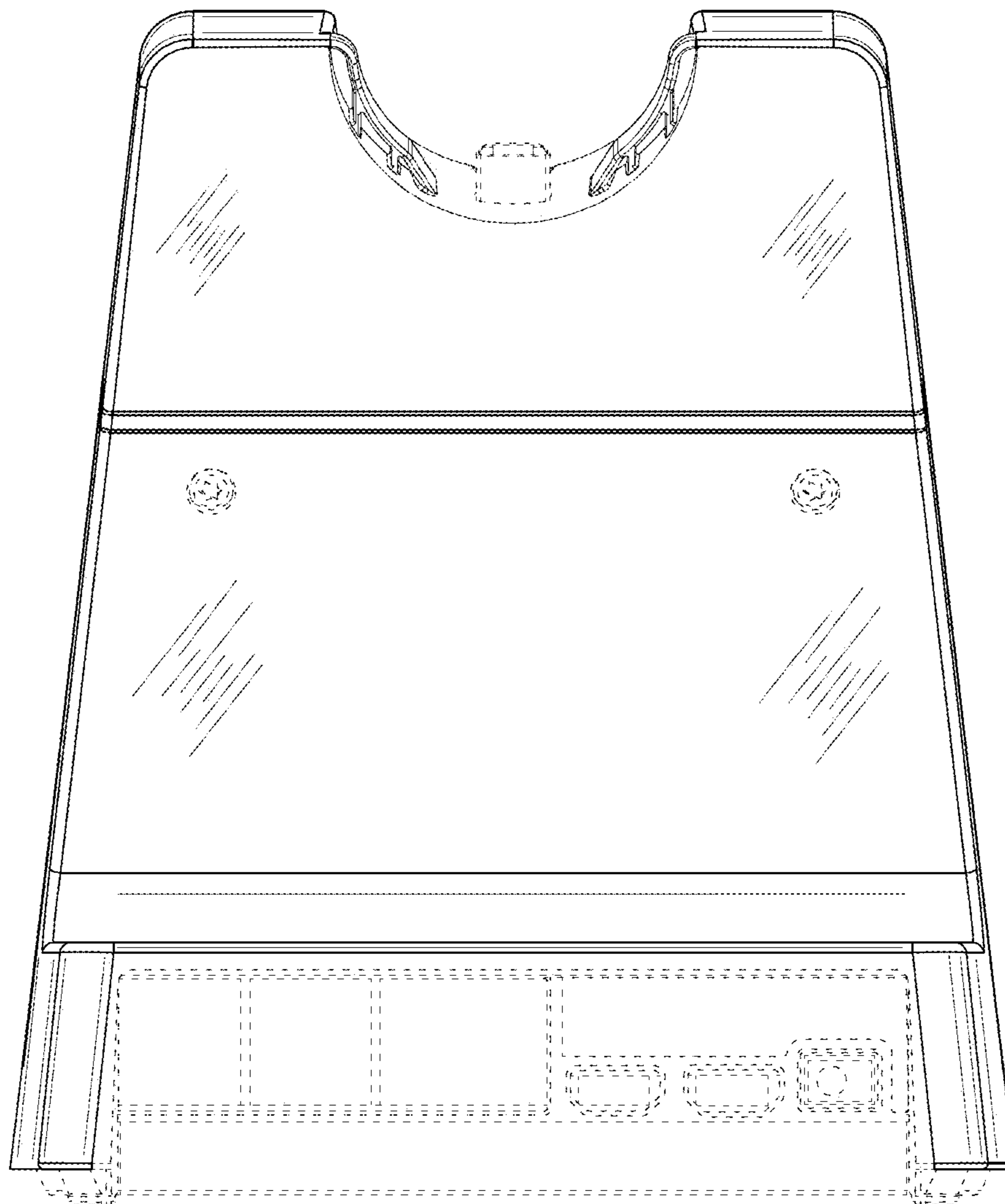


FIG. 14



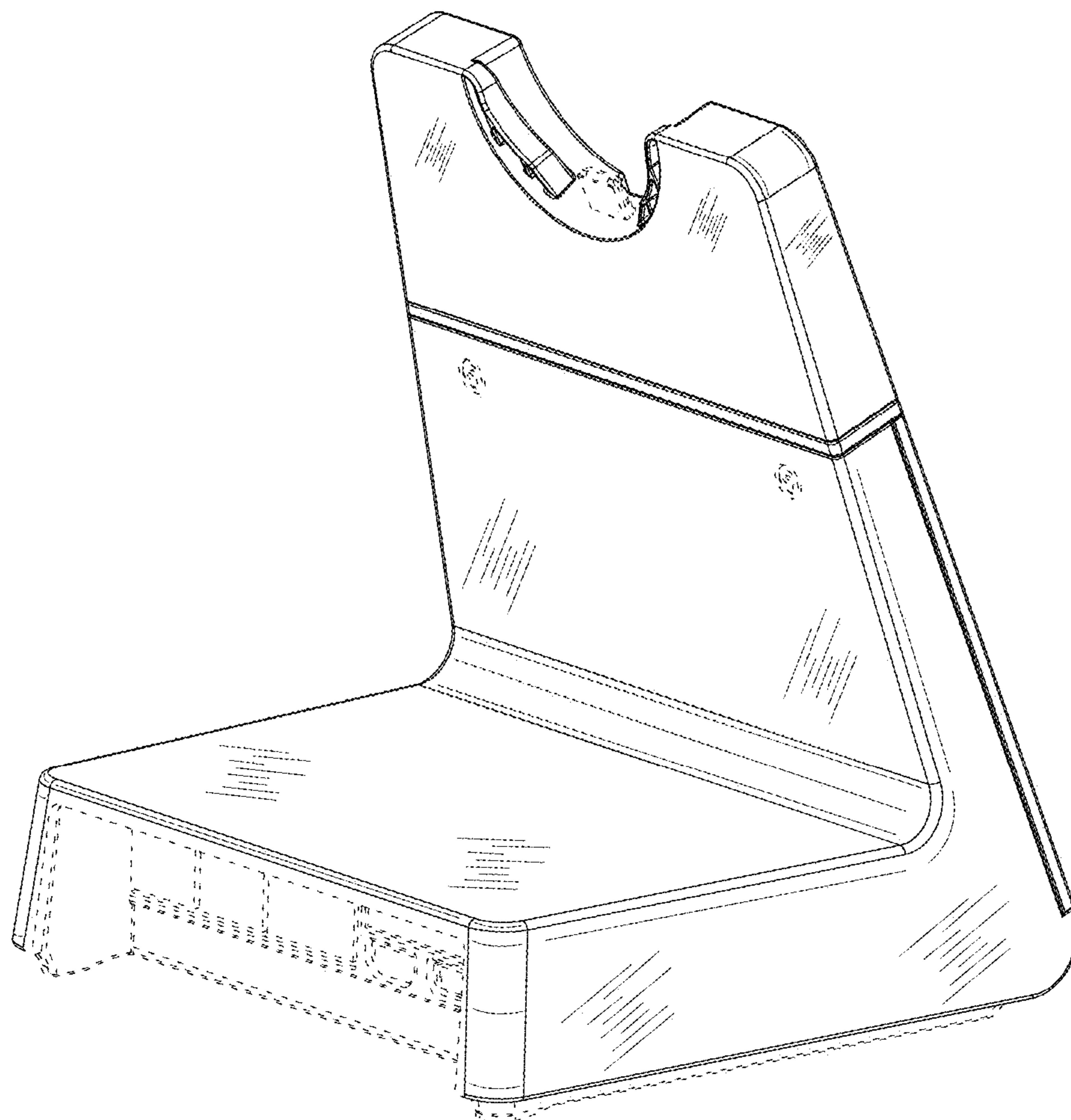


FIG. 15

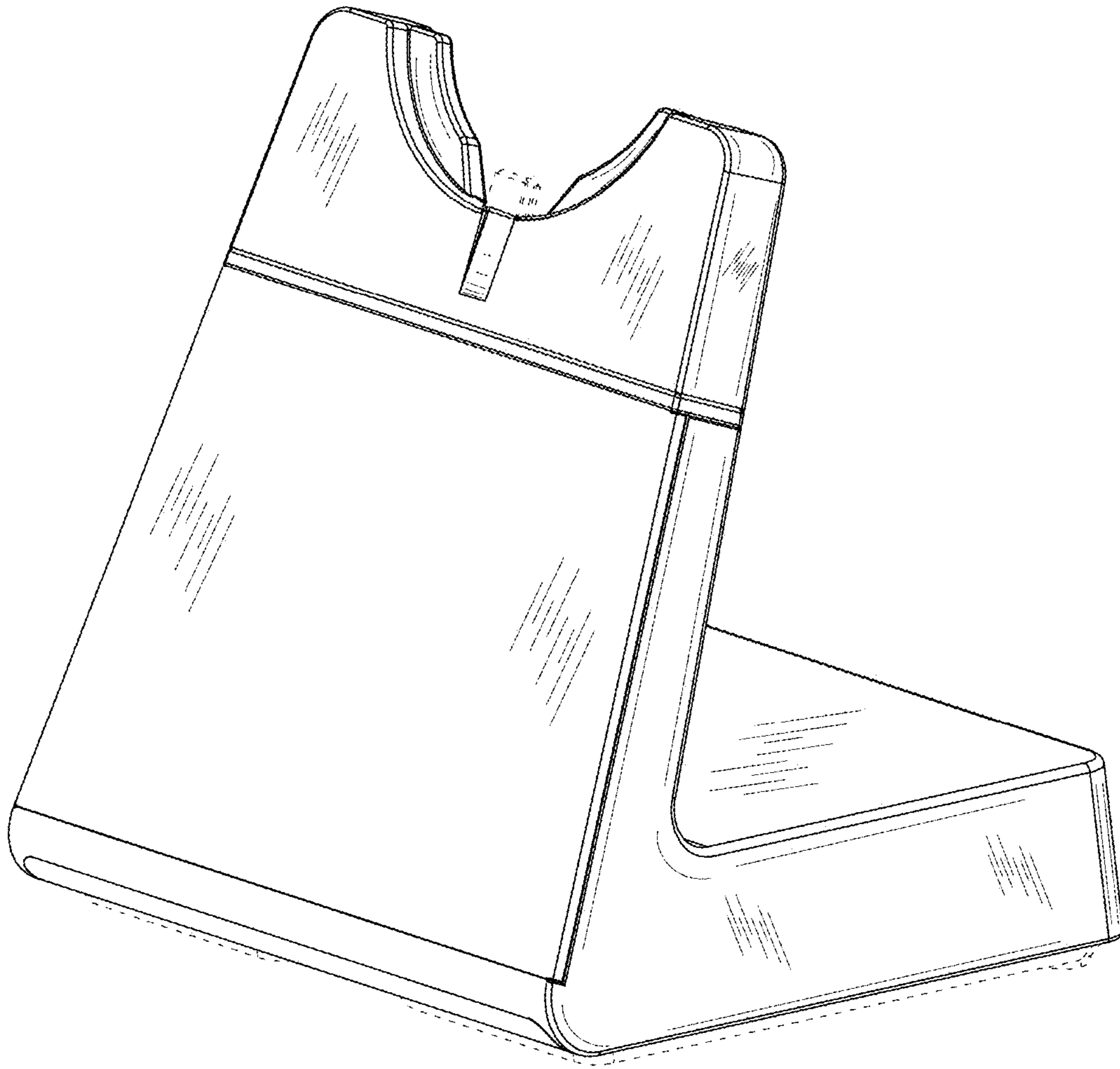


FIG. 16