



US00D981373S

(12) **United States Design Patent**
Jiang et al.

(10) **Patent No.:** **US D981,373 S**
(45) **Date of Patent:** **** Mar. 21, 2023**

- (54) **EARPHONE**
- (71) Applicant: **ONEPLUS TECHNOLOGY (SHENZHEN) CO., LTD.**, Guangdong (CN)
- (72) Inventors: **Xinyi Jiang**, Guangdong (CN); **Haoran Liu**, Guangdong (CN); **Huijian Ai**, Guangdong (CN)
- (73) Assignee: **ONEPLUS TECHNOLOGY (SHENZHEN) CO., LTD.**, Guangdong (CN)

D806,388 S *	1/2018	Akana	D3/294
D818,268 S *	5/2018	Akana	D3/294
D820,810 S *	6/2018	Levine	D14/205
D829,193 S *	9/2018	Cai	D14/223
D830,345 S *	10/2018	Cai	D14/223
D847,794 S *	5/2019	Guo	D14/223
D847,795 S *	5/2019	Kim	D14/223
D848,980 S *	5/2019	Kim	D14/223
D848,982 S *	5/2019	Kim	D14/223
D848,983 S *	5/2019	Kim	D14/223
D861,647 S *	10/2019	Chen	D14/223
D864,169 S *	10/2019	Min	D14/223
D869,445 S *	12/2019	Hu	D14/223
D872,711 S *	1/2020	Hu	D14/223
D877,722 S *	3/2020	Yang	D14/223

(Continued)

- (**) Term: **15 Years**
- (21) Appl. No.: **29/778,076**
- (22) Filed: **Apr. 9, 2021**

(30) **Foreign Application Priority Data**

Oct. 12, 2020 (CN) 202030605169.6

- (51) **LOC (14) Cl.** **14-01**
- (52) **U.S. Cl.**
USPC **D14/223**
- (58) **Field of Classification Search**
USPC D14/223; D24/174; 128/864-866;
381/380-381
CPC H04R 1/10; H04R 25/00; H04R 25/02;
H04R 1/1066; H04R 1/1016; H04R
5/033; H04R 5/0335; H04R 1/1091
See application file for complete search history.

(56) **References Cited**

U.S. PATENT DOCUMENTS

9,042,583 B2 *	5/2015	Buyens	H04R 25/50 381/316
D801,314 S *	10/2017	Akana	D14/223
D803,184 S *	11/2017	Loh Jun Kern	D14/223
D804,806 S *	12/2017	Stueckemann	D3/203.2

FOREIGN PATENT DOCUMENTS

CN	306261634	*	1/2021
CN	306620371	*	6/2021
EM	008442628-0001	*	2/2021

Primary Examiner — Paula Allen Greene

(74) *Attorney, Agent, or Firm* — Hodgson Russ LLP

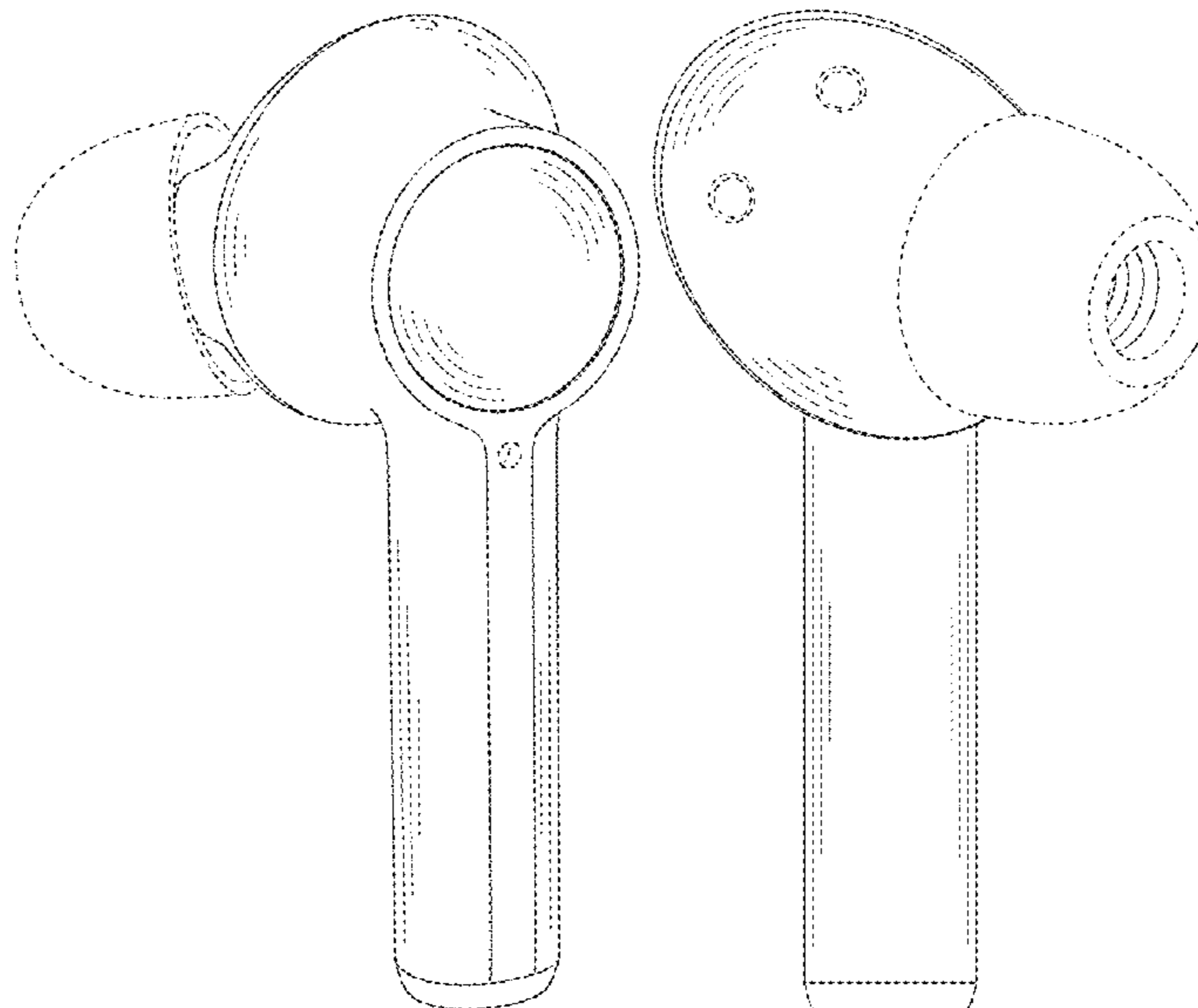
(57) **CLAIM**

The ornamental design for an earphone, as shown and described.

DESCRIPTION

FIG. 1 is a front perspective view of an earphone, showing our new design;
 FIG. 2 is a front perspective view thereof;
 FIG. 3 is a front elevation view thereof;
 FIG. 4 is a rear elevation view thereof;
 FIG. 5 is a left side elevation view thereof;
 FIG. 6 is a right side elevation view thereof;
 FIG. 7 is a top plan elevation view thereof; and,
 FIG. 8 is a bottom plan elevation view thereof.
 The broken (dashed) lines show portions of the earphone that form no part of the claimed design.

1 Claim, 8 Drawing Sheets



(56)

References Cited

U.S. PATENT DOCUMENTS

D878,045 S * 3/2020 Akana D3/274
 D881,572 S * 4/2020 Wang D3/294
 D890,724 S * 7/2020 Li D14/223
 D903,639 S * 12/2020 Yang D14/223
 D905,018 S * 12/2020 Zhu D14/223
 D907,008 S * 1/2021 Yao D14/223
 D910,600 S * 2/2021 Zhang D14/223
 D911,315 S * 2/2021 Hutchison D14/223
 D912,011 S * 3/2021 Zhao H04R 1/1041
 D14/205
 D914,647 S * 3/2021 Yang D14/223
 D914,648 S * 3/2021 Zhou D14/223
 D916,683 S * 4/2021 Yao D14/223
 D920,293 S * 5/2021 Chen D14/223
 D921,615 S * 6/2021 Wu D14/223
 D924,209 S * 7/2021 Wu D14/223
 D940,691 S * 1/2022 Zhang D14/223

D944,197 S * 2/2022 Li D14/223
 D953,300 S * 5/2022 Li D14/223
 D957,366 S * 7/2022 Hachiri D14/223
 D958,116 S * 7/2022 Yao D14/223
 D961,508 S * 8/2022 Zhang D14/223
 D962,202 S * 8/2022 Zhang D14/223
 D967,066 S * 10/2022 Cai D14/223
 D967,067 S * 10/2022 Cai D14/223
 2011/0103637 A1* 5/2011 Yuen H04R 1/1041
 381/380
 2012/0237074 A1* 9/2012 Aase H04R 1/1058
 29/858
 2012/0275635 A1* 11/2012 Chen H04R 1/1075
 381/380
 2015/0382100 A1* 12/2015 Azmi H04R 1/1016
 381/380
 2017/0026738 A1* 1/2017 Tang H04R 1/1091
 2017/0164087 A1* 6/2017 Kurtz H04R 1/1016
 2020/0382856 A1* 12/2020 Liu H04R 1/2826

* cited by examiner

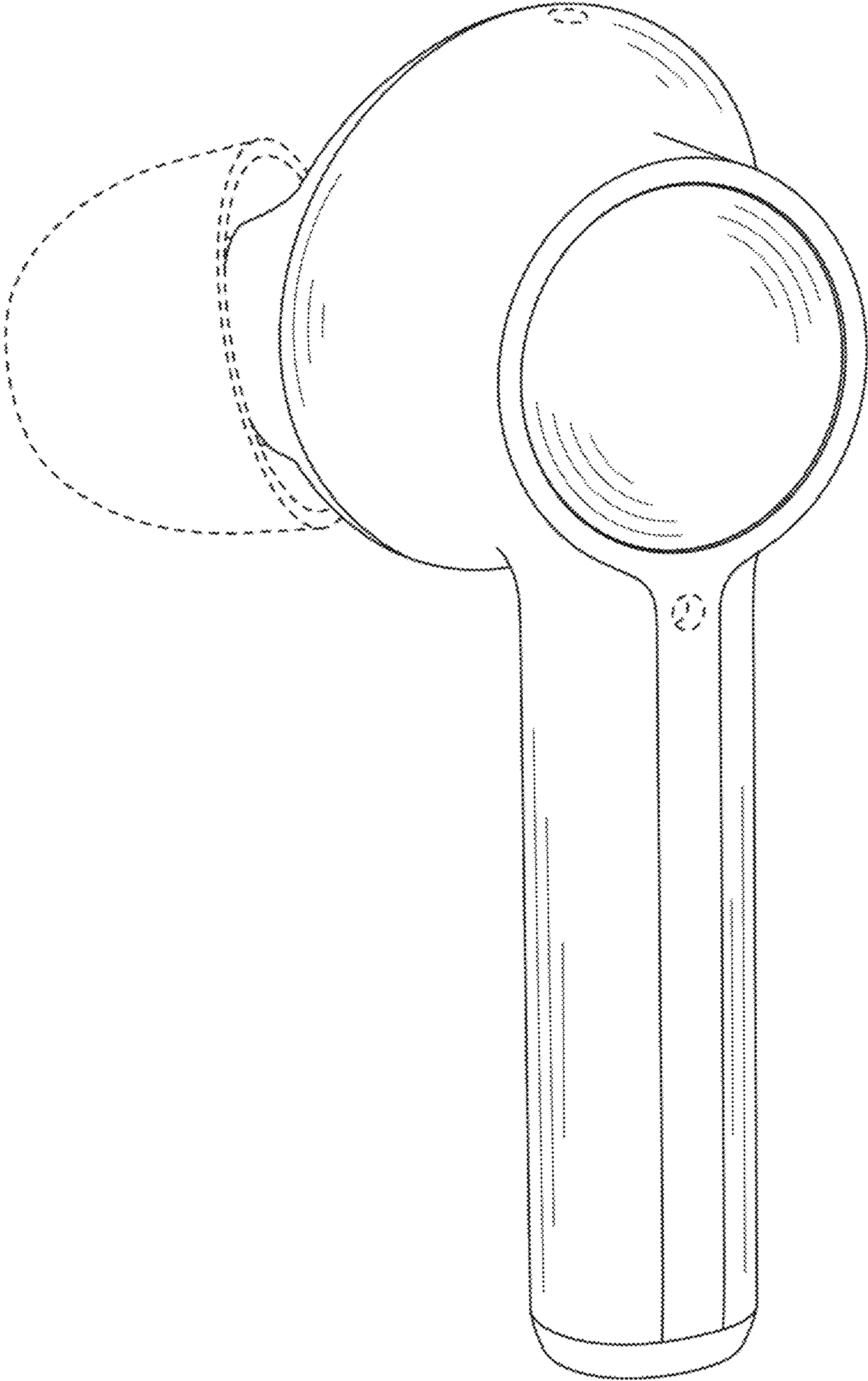


FIG. 1

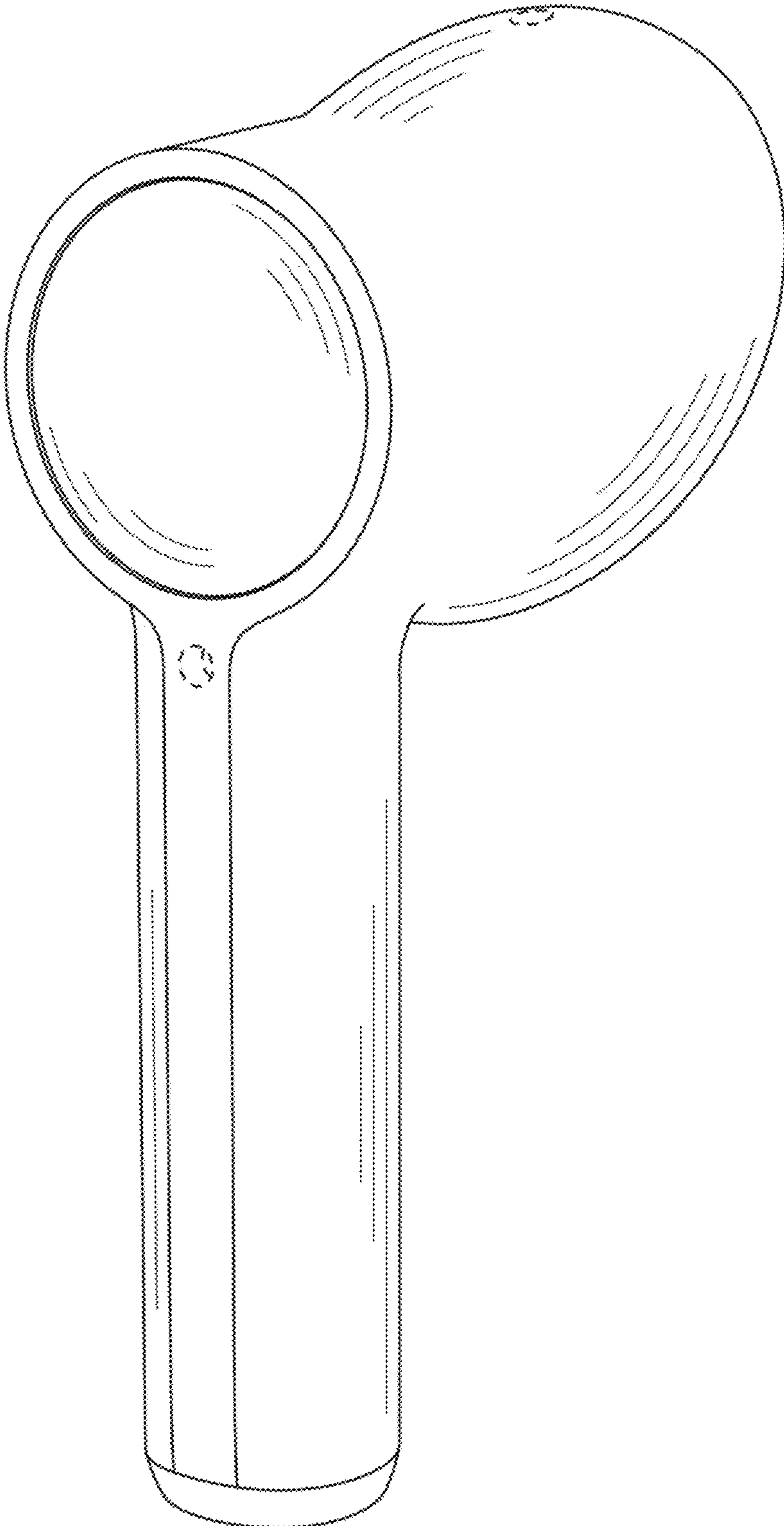


FIG. 2

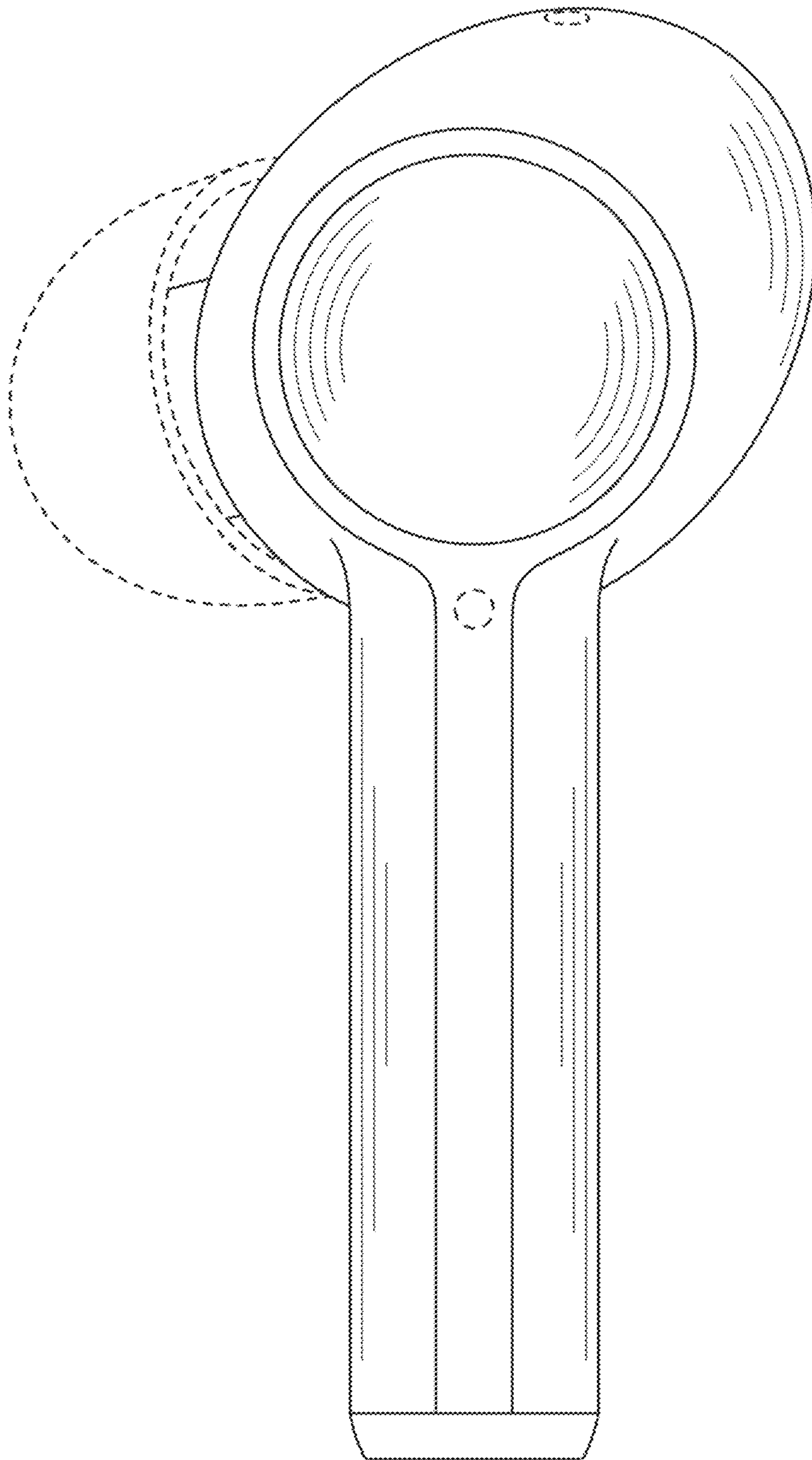


FIG. 3

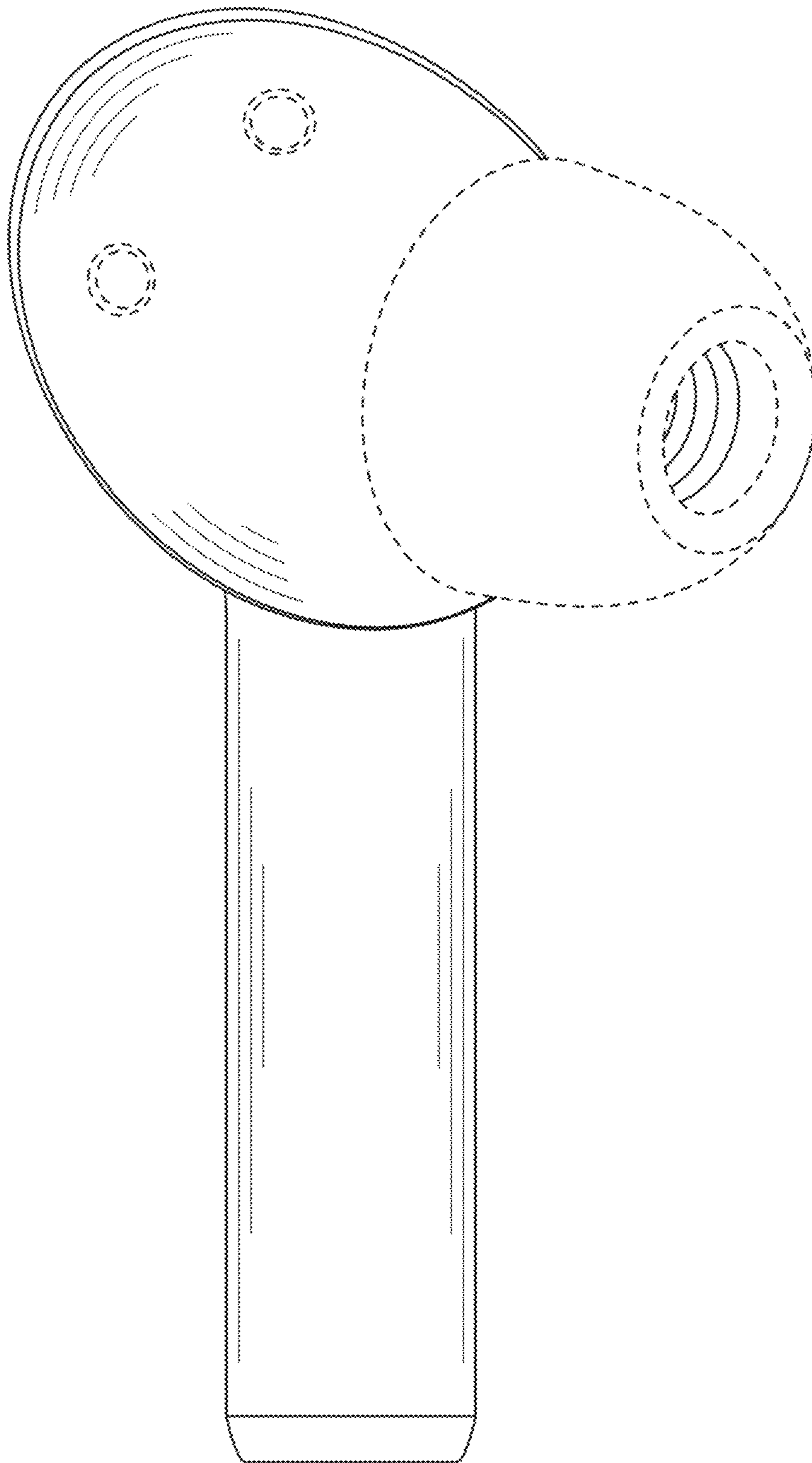


FIG. 4

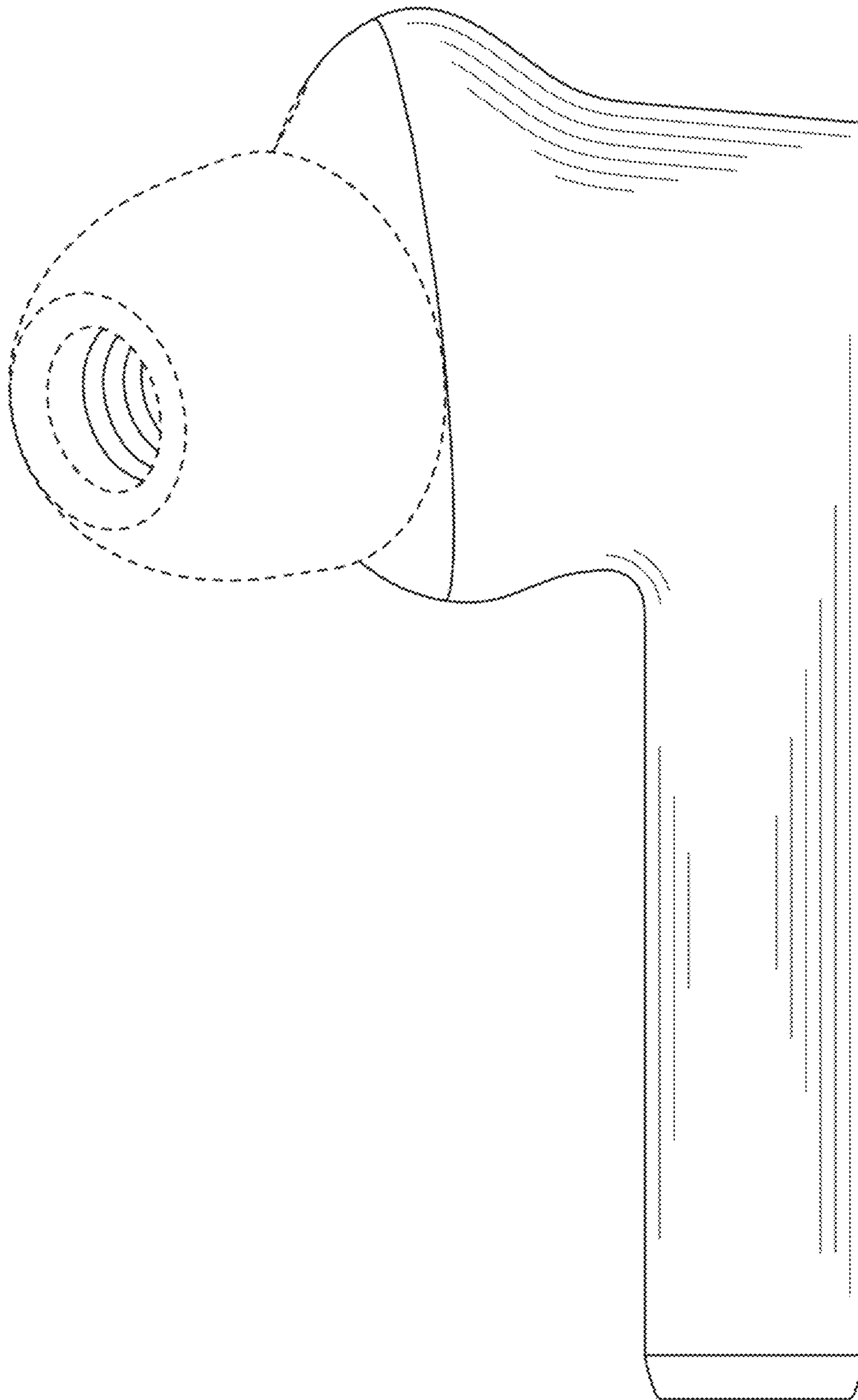


FIG. 5

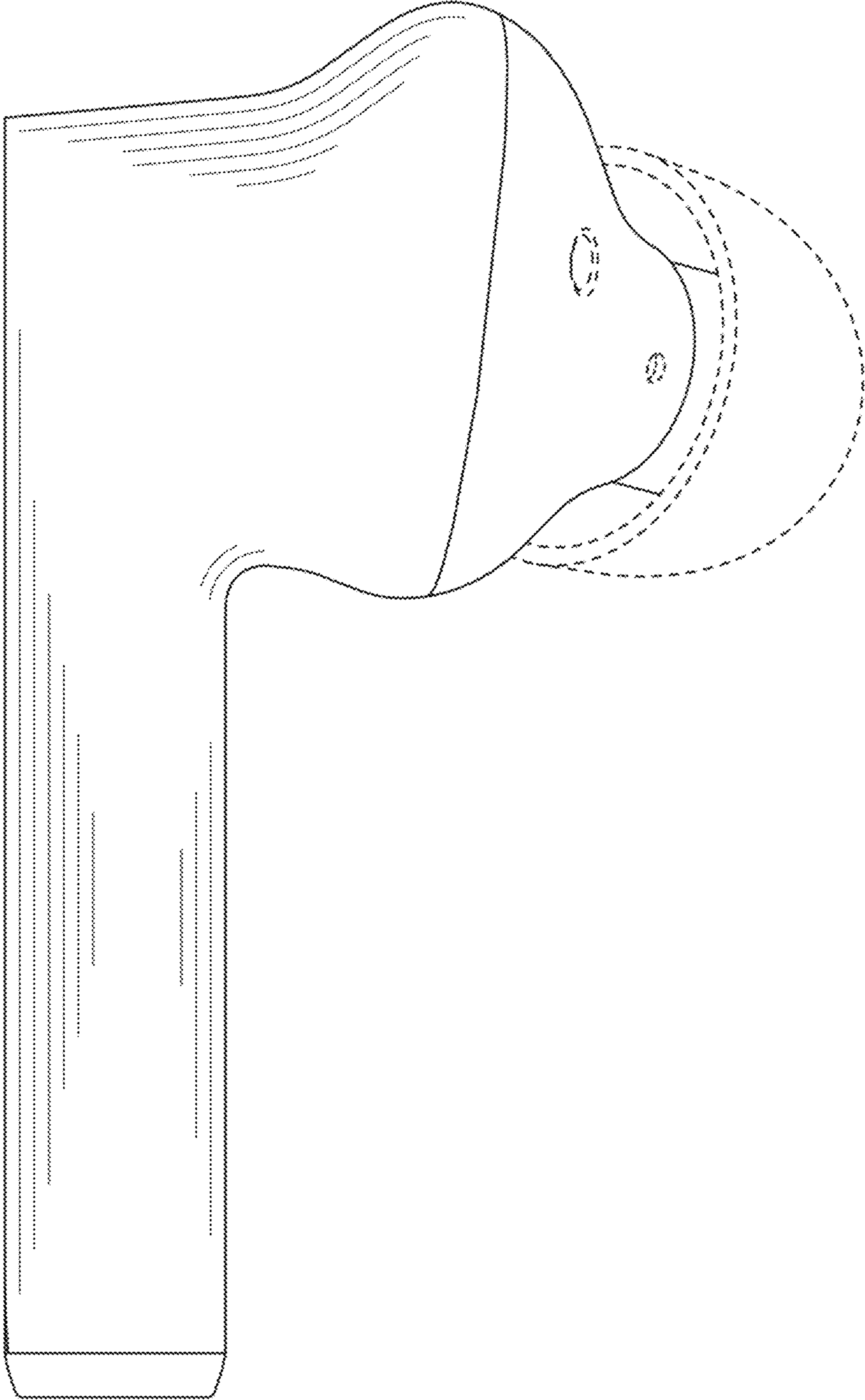


FIG. 6

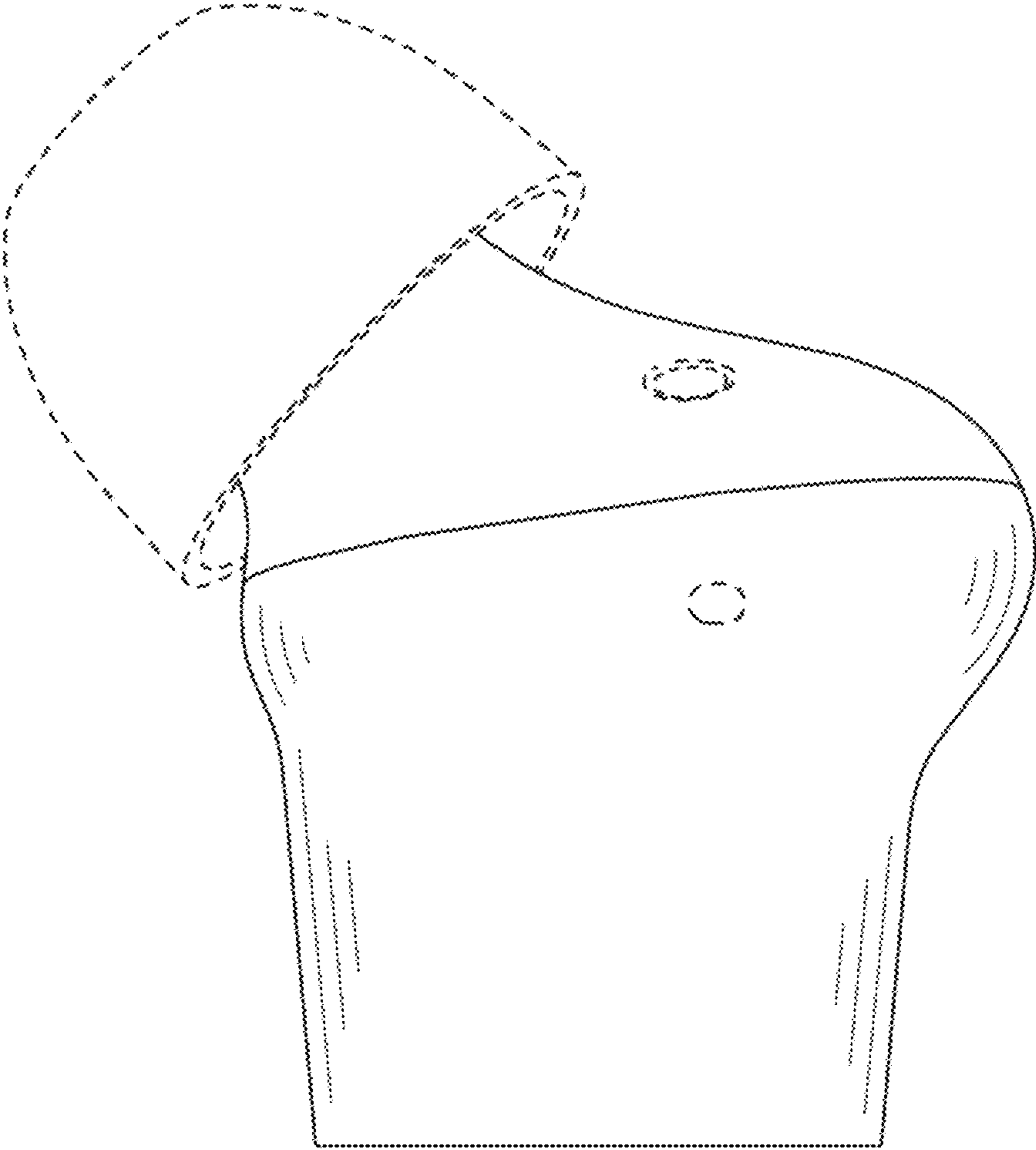


FIG. 7

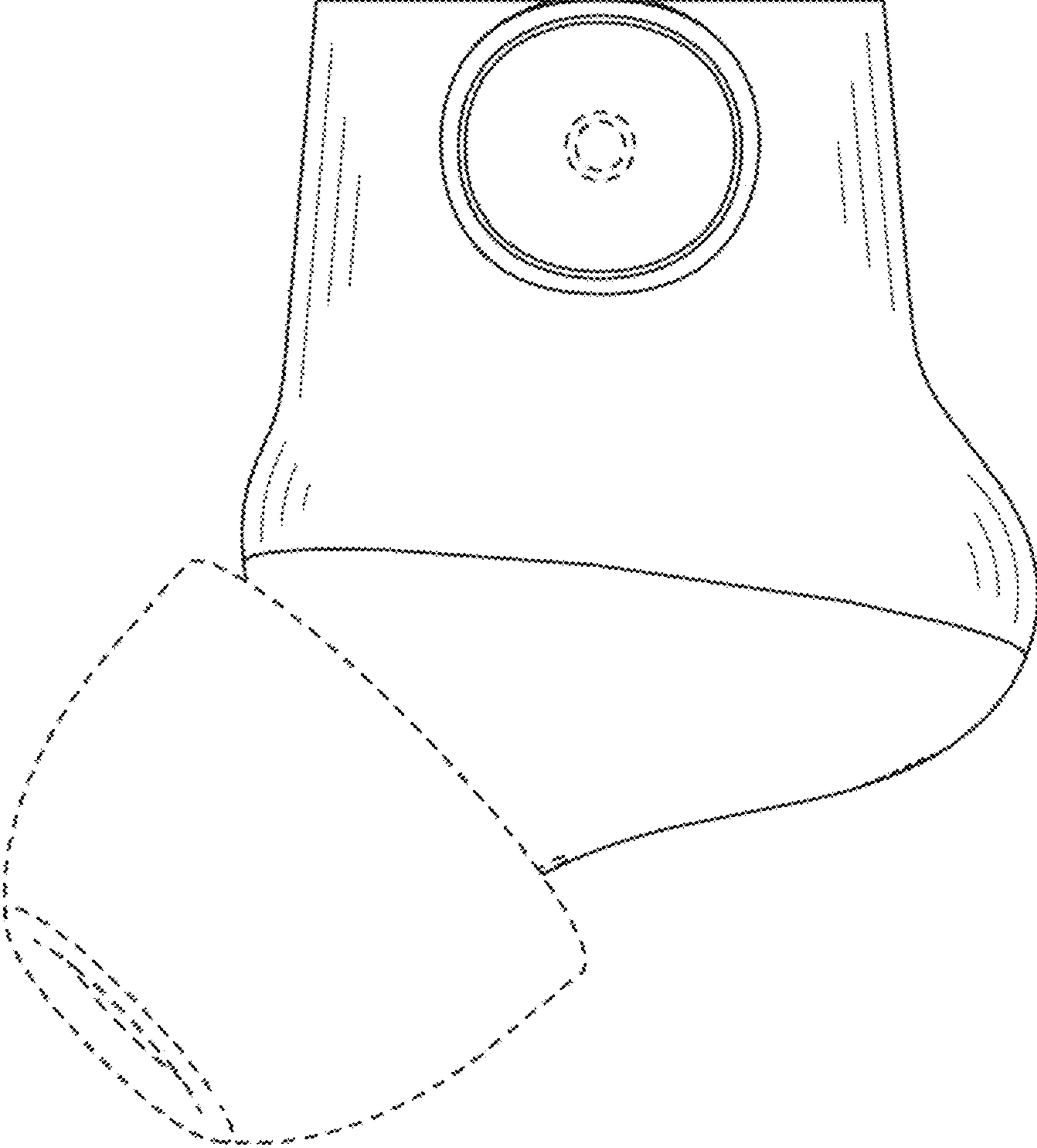


FIG. 8