



US00D981372S

(12) **United States Design Patent**  
**Nieman**

(10) **Patent No.:** **US D981,372 S**  
(45) **Date of Patent:** **\*\* Mar. 21, 2023**

(54) **EARPHONE HOLDER**  
(71) Applicant: **TUOLC SECURE THE BAG FUND, INC.**, San Ramon, CA (US)  
(72) Inventor: **Zachary Nieman**, San Ramon, CA (US)

2,644,212 A \* 7/1953 Markowitz ..... B43K 23/001  
24/11 R  
2,719,691 A \* 10/1955 Vance ..... B60R 1/04  
248/214  
2,746,346 A \* 5/1956 Gaire ..... G01B 3/02  
235/70 B  
2,888,775 A \* 6/1959 Thoeming ..... A47B 91/04  
248/188.9

(\*\*) Term: **15 Years**

(Continued)

(21) Appl. No.: **29/770,095**

**FOREIGN PATENT DOCUMENTS**

(22) Filed: **Feb. 9, 2021**

CN 307337594 \* 5/2022

(51) **LOC (14) Cl.** ..... **14-01**

*Primary Examiner* — Paula Allen Greene

(52) **U.S. Cl.**  
USPC ..... **D14/223**; D14/217

(74) *Attorney, Agent, or Firm* — Michael Petrin; ATBP  
PC

(58) **Field of Classification Search**  
USPC ... D14/217, 205, 248, 142, 240, 203.5, 344,  
D14/341, 427, 426, 453, 432, 260.1;  
D13/156; D8/354, 382, 383, 395, 396,  
D8/394; D9/434; D16/130, 135, 136;  
248/188.9, 73, 74.2; D21/439, 440;  
297/171; D25/113, 131, 118; 36/136,  
36/156; 63/3; 24/11 R, 12, 30.5 R, 523;  
174/138 F  
CPC ..... H04R 25/00; H04R 1/10; H04R 1/1033;  
A45C 13/02; A47B 91/00; A47B 91/06;  
F16M 11/08; B60R 11/00  
See application file for complete search history.

(57) **CLAIM**

I claim the ornamental design for an earphone holder, as shown and described.

(56) **References Cited**

**U.S. PATENT DOCUMENTS**

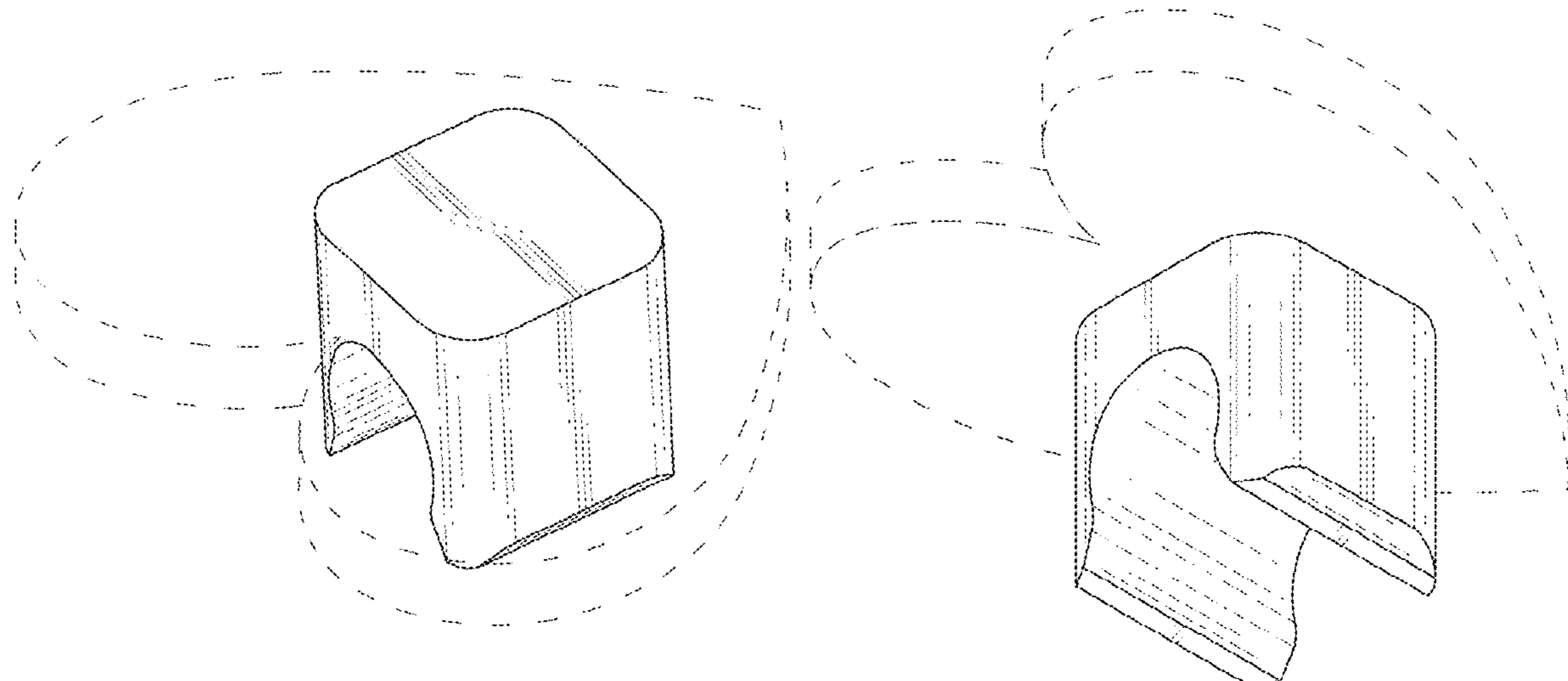
1,474,660 A \* 11/1923 White ..... E04G 11/46  
249/212  
1,784,716 A \* 12/1930 West ..... F24C 5/18  
248/300  
1,808,920 A \* 6/1931 Forstner ..... A44C 5/025  
63/3  
2,166,916 A \* 7/1939 Lombard ..... F16B 5/0685  
248/222.12  
2,533,539 A \* 12/1950 Vivian ..... B65D 5/069  
24/561

**DESCRIPTION**

FIG. 1 is a front perspective view of an earphone holder, showing my new design;  
FIG. 2 is a back perspective view thereof;  
FIG. 3 is a top side view thereof;  
FIG. 4 is a bottom side view thereof;  
FIG. 5 is a right side view thereof;  
FIG. 6 is a left side view thereof;  
FIG. 7 is a front side view thereof;  
FIG. 8 is a back side view thereof; and  
FIG. 9 is a front perspective view thereof;  
FIG. 10 is a back perspective view thereof;  
FIG. 11 is a top side view thereof;  
FIG. 12 is a bottom side view thereof;  
FIG. 13 is a right side view thereof;  
FIG. 14 is a left side view thereof;  
FIG. 15 is a front side view thereof; and,  
FIG. 16 is a back side view thereof.

The broken lines depict portions of the earphone holder in FIGS. 1 through 8 that form no part of the claimed design.

**1 Claim, 10 Drawing Sheets**



(56)

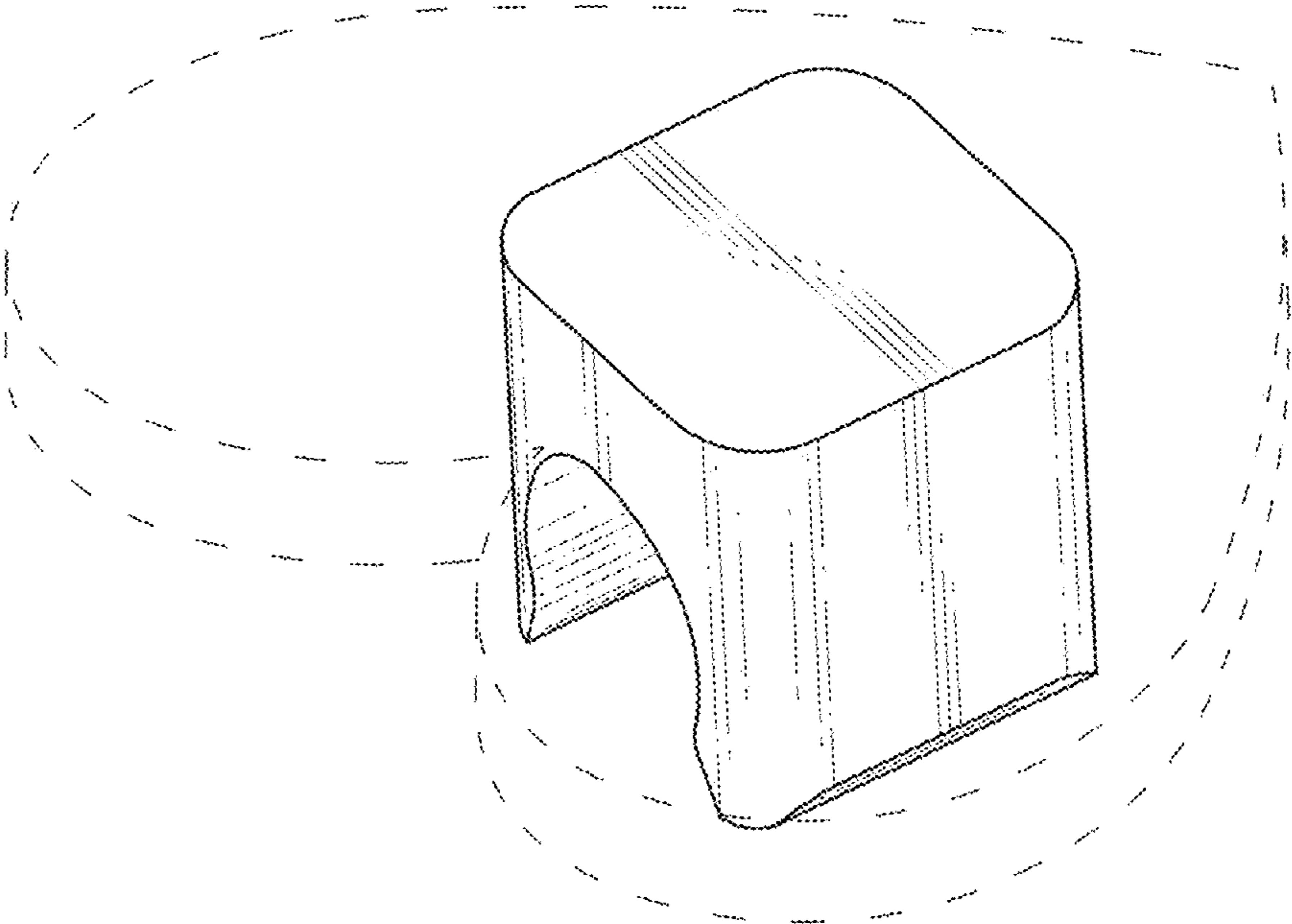
References Cited

U.S. PATENT DOCUMENTS

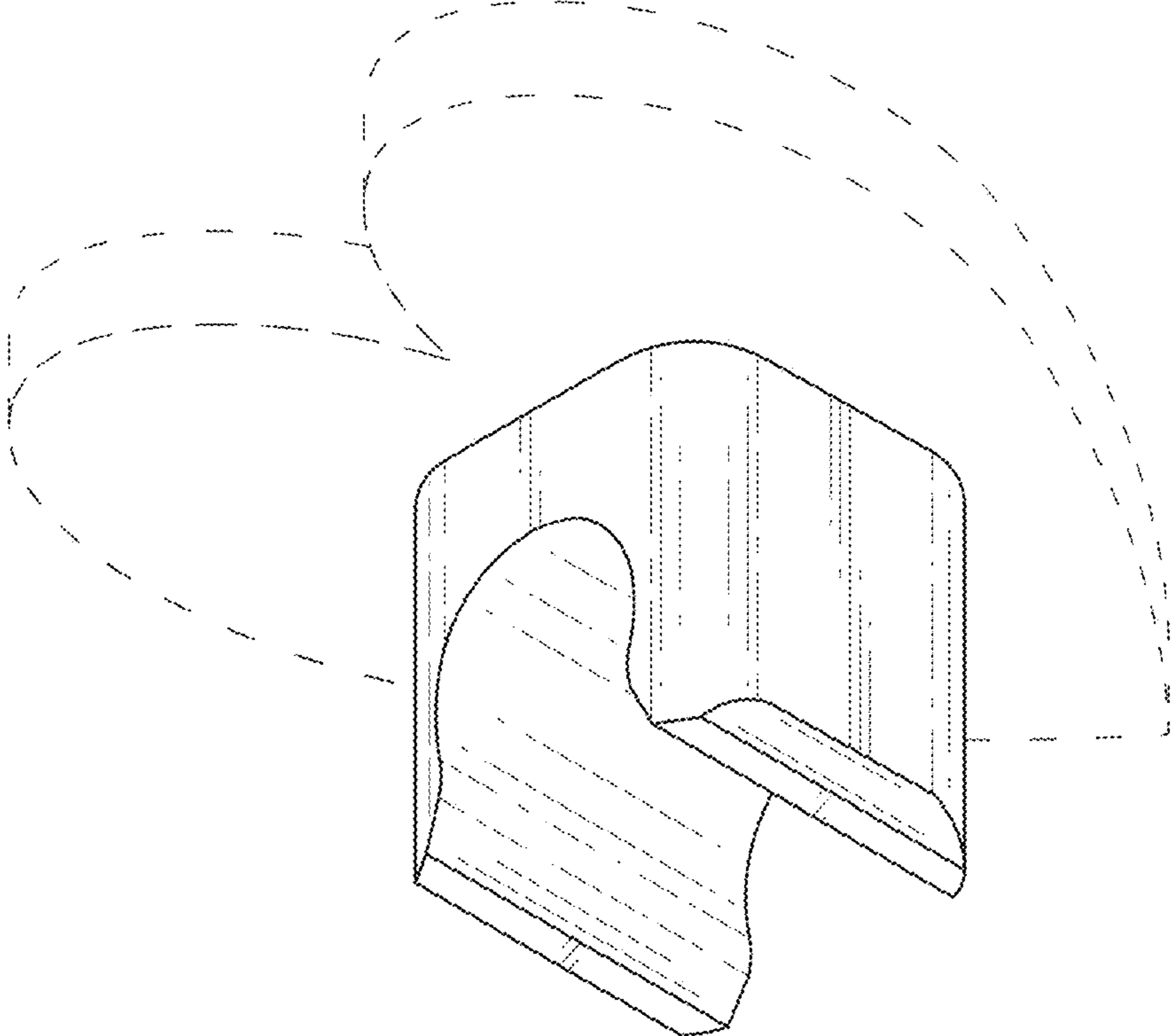
3,045,310 A \* 7/1962 Velinsky ..... A47C 21/022  
24/72.5  
3,254,362 A \* 6/1966 Rasor ..... A47B 91/06  
248/188.8  
3,257,499 A \* 6/1966 Broske ..... H01R 4/5083  
24/456  
3,286,963 A \* 11/1966 Bergman ..... F16L 3/10  
24/457  
D207,670 S \* 5/1967 Gilbert ..... D8/395  
3,612,475 A \* 10/1971 Dinger ..... A61B 17/122  
251/9  
3,654,405 A \* 4/1972 Hanson ..... H04M 1/0297  
379/455  
3,806,170 A \* 4/1974 Seckerson ..... E05C 19/066  
292/19  
3,839,690 A \* 10/1974 Kobler ..... H01H 50/44  
335/278  
D236,031 S \* 7/1975 Mo ..... D16/136  
4,115,940 A \* 9/1978 Phillips ..... A47G 25/1435  
40/322  
4,821,532 A \* 4/1989 Jaques ..... A44C 5/025  
63/3  
D302,608 S \* 8/1989 LaPierre ..... D2/893  
D308,818 S \* 6/1990 Powrzasnas ..... D8/396  
D309,253 S \* 7/1990 Doebler ..... D8/373  
5,109,576 A \* 5/1992 Teekell ..... B65D 33/1675  
24/30.5 R  
5,378,401 A \* 1/1995 Derham ..... C23F 11/188  
252/387  
5,407,109 A \* 4/1995 Zuckerman ..... A47G 25/1435  
40/322  
D358,830 S \* 5/1995 Dor ..... D16/136  
5,463,855 A \* 11/1995 Johnson ..... A01D 67/00  
D8/395  
5,820,095 A \* 10/1998 Stone ..... B43K 23/002  
D19/83  
D425,353 S \* 5/2000 Foy ..... D24/134  
6,854,610 B2 \* 2/2005 Adams ..... A47G 25/0614  
248/339  
D513,972 S \* 1/2006 Goldberg ..... D8/383  
D532,679 S \* 11/2006 Ignagni ..... D8/354  
7,251,864 B2 \* 8/2007 Chang ..... B65D 33/2587  
24/30.5 R  
D557,259 S \* 12/2007 Hirsch ..... D14/217  
D590,371 S \* 4/2009 Leinvuo ..... D14/205

D592,303 S \* 5/2009 Chesnin ..... D24/128  
7,600,300 B2 \* 10/2009 Russell ..... B65D 33/2558  
24/30.5 R  
D618,668 S \* 6/2010 Dunlap ..... D14/223  
D633,477 S \* 3/2011 Lorenzo ..... D14/238.1  
D634,315 S \* 3/2011 Nousiainen ..... D14/253  
D641,609 S \* 7/2011 Yagame ..... D8/354  
D654,052 S \* 2/2012 Lee ..... D14/205  
D662,086 S \* 6/2012 Komiyama ..... D14/223  
D664,124 S \* 7/2012 Smith ..... D14/223  
D671,407 S \* 11/2012 Fay ..... D9/434  
D691,032 S \* 10/2013 Chen ..... D8/396  
D696,259 S \* 12/2013 Howarth ..... D14/447  
D699,097 S \* 2/2014 Chung ..... D8/354  
D710,340 S \* 8/2014 Wengreen ..... D14/238.1  
D721,074 S \* 1/2015 Harris ..... D14/253  
D723,042 S \* 2/2015 Lee ..... D14/447  
D733,115 S \* 6/2015 Aspinall ..... D14/253  
D746,807 S \* 1/2016 McGarry ..... D14/253  
D748,615 S \* 2/2016 Lee ..... D14/251  
D749,597 S \* 2/2016 Wengreen ..... D14/447  
D753,643 S \* 4/2016 Kim ..... D14/253  
D767,532 S \* 9/2016 Jen ..... D14/205  
D769,859 S \* 10/2016 Herbst ..... D14/253  
D784,118 S \* 4/2017 Reddy ..... D8/356  
D784,978 S \* 4/2017 Hobbs ..... D14/253  
D790,528 S \* 6/2017 Lindloff ..... D14/253  
D796,607 S \* 9/2017 Gaffney ..... D21/754  
D797,834 S \* 9/2017 Kayano ..... D16/136  
D808,255 S \* 1/2018 Pittman ..... D8/396  
D816,477 S \* 5/2018 Kim ..... D8/396  
9,975,497 B2 \* 5/2018 Kim ..... F16M 11/041  
D833,645 S \* 11/2018 Mohamed ..... D25/113  
D862,419 S \* 10/2019 Eshelman ..... D14/217  
D893,760 S \* 8/2020 Bott ..... D25/113  
D908,788 S \* 1/2021 Leewe ..... D14/217  
2002/0090104 A1 \* 7/2002 Ma ..... H04R 1/1091  
381/370  
2008/0054126 A1 \* 3/2008 Wang ..... F16L 3/13  
248/65  
2008/0060110 A1 \* 3/2008 Schmelzer ..... A44B 1/32  
2/69  
2010/0124349 A1 \* 5/2010 Bass ..... H04R 1/10  
381/379  
2013/0047820 A1 \* 2/2013 Chambers ..... G01D 13/02  
84/453  
2016/0269818 A1 \* 9/2016 Mackay ..... H04R 1/1033

\* cited by examiner

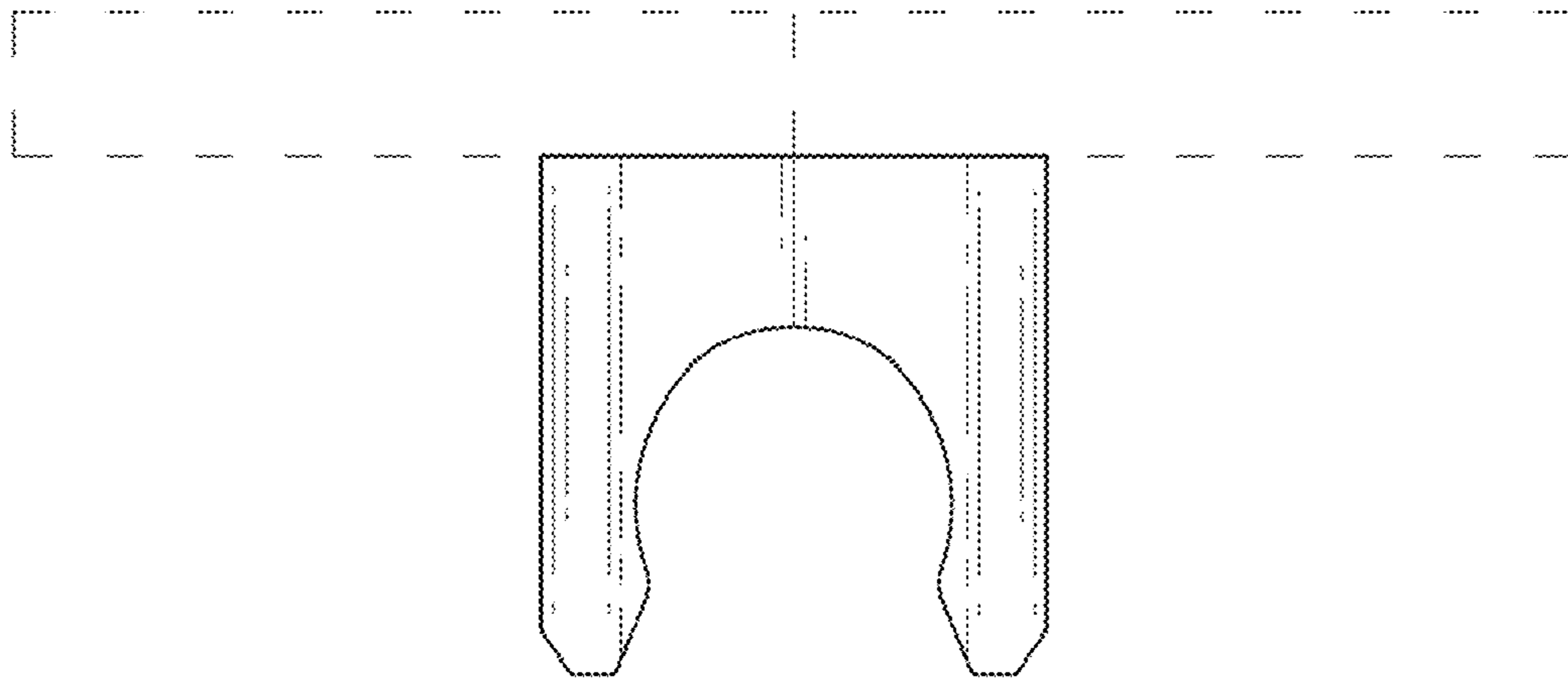


**FIG. 1**

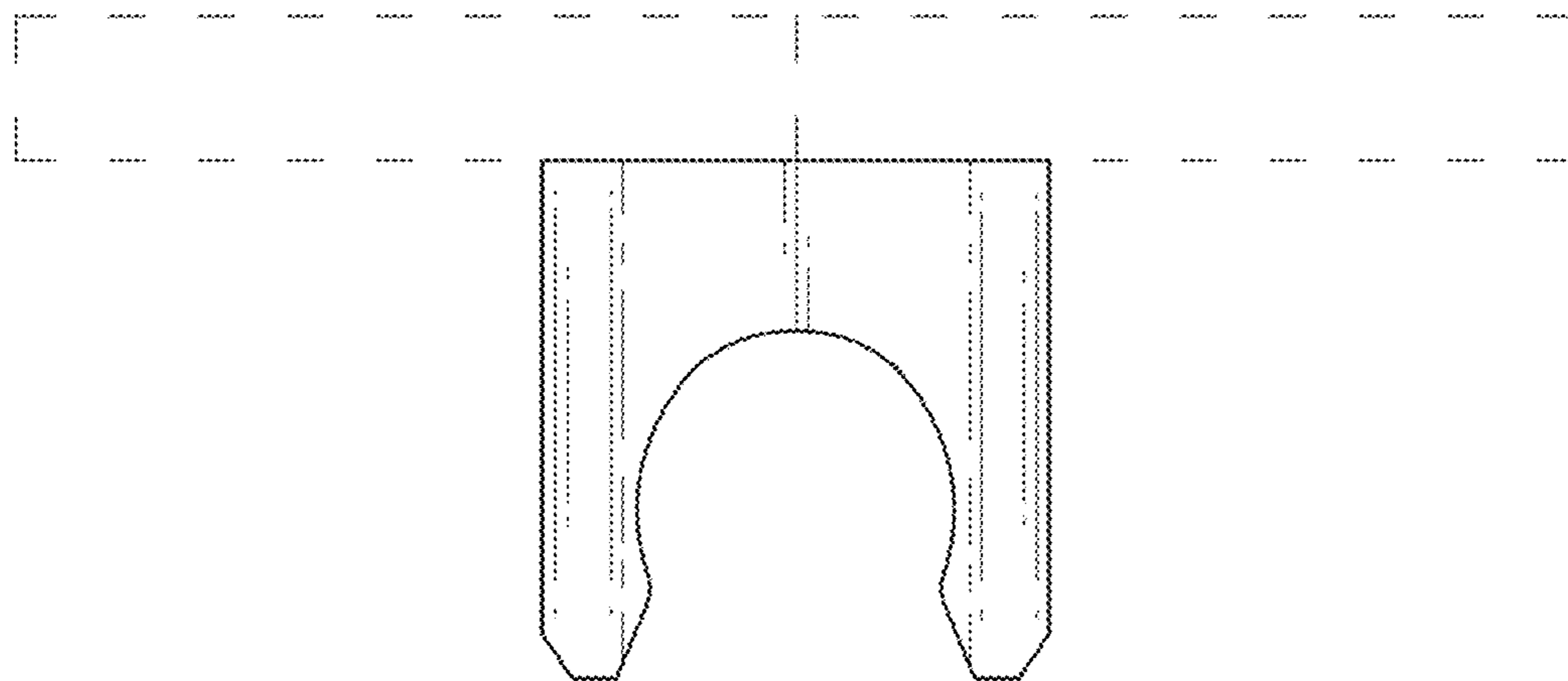


**FIG. 2**

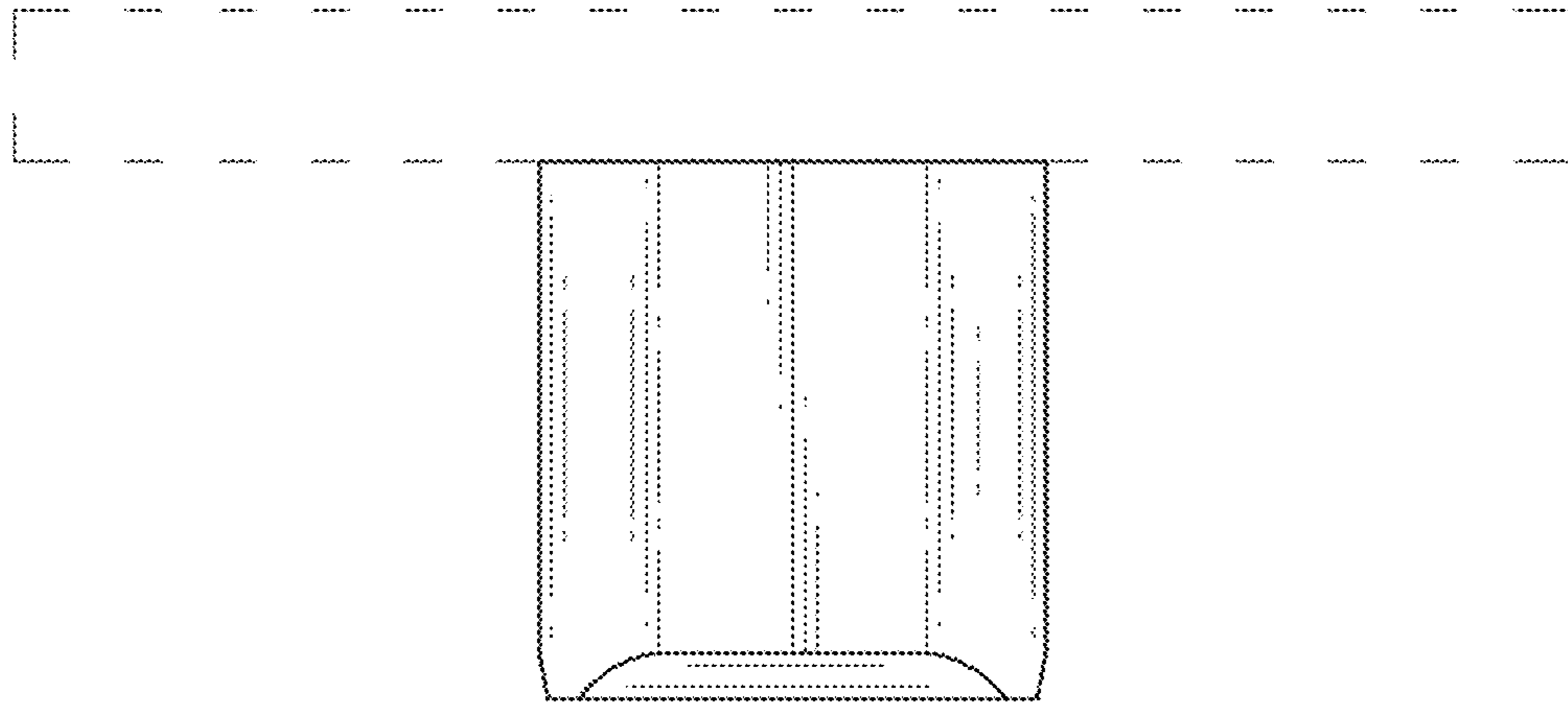




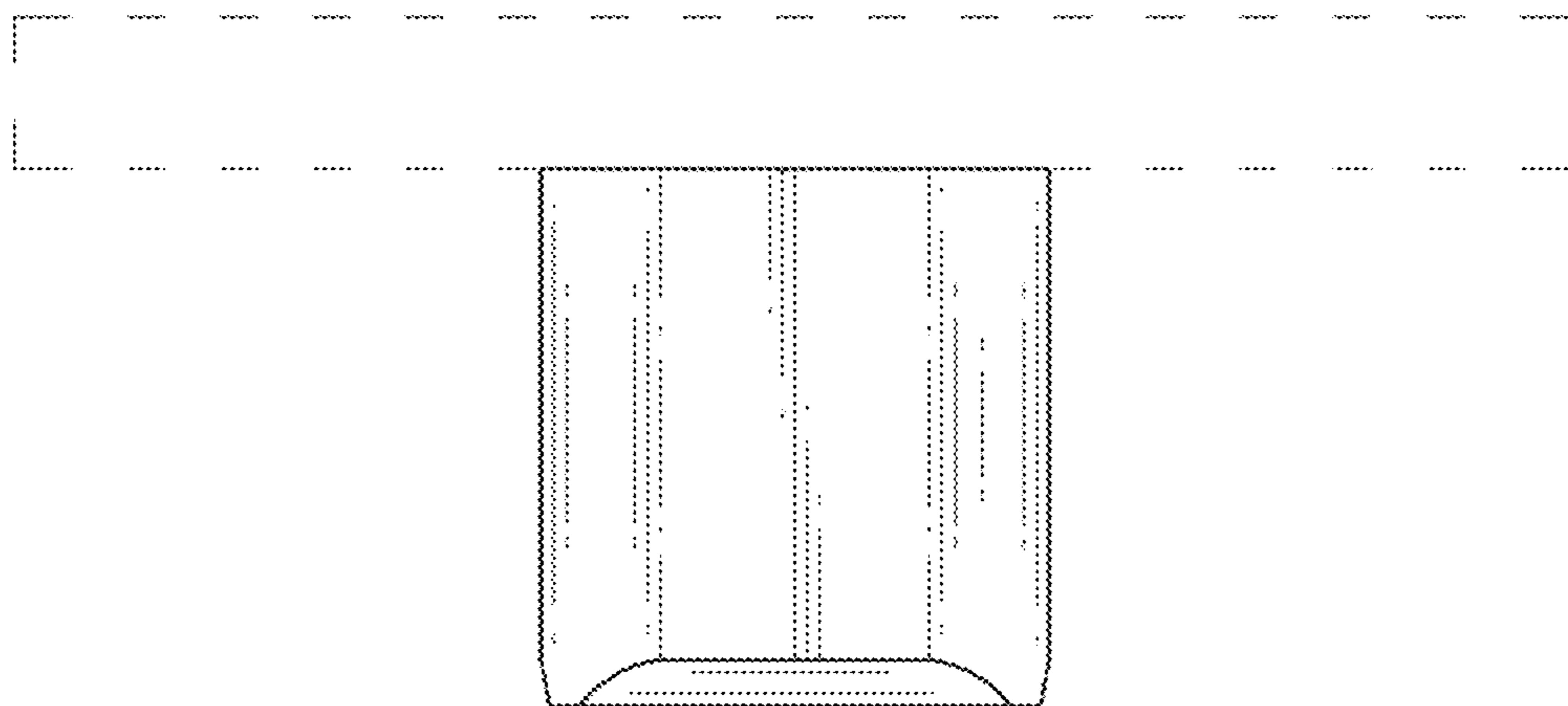
**FIG. 3**



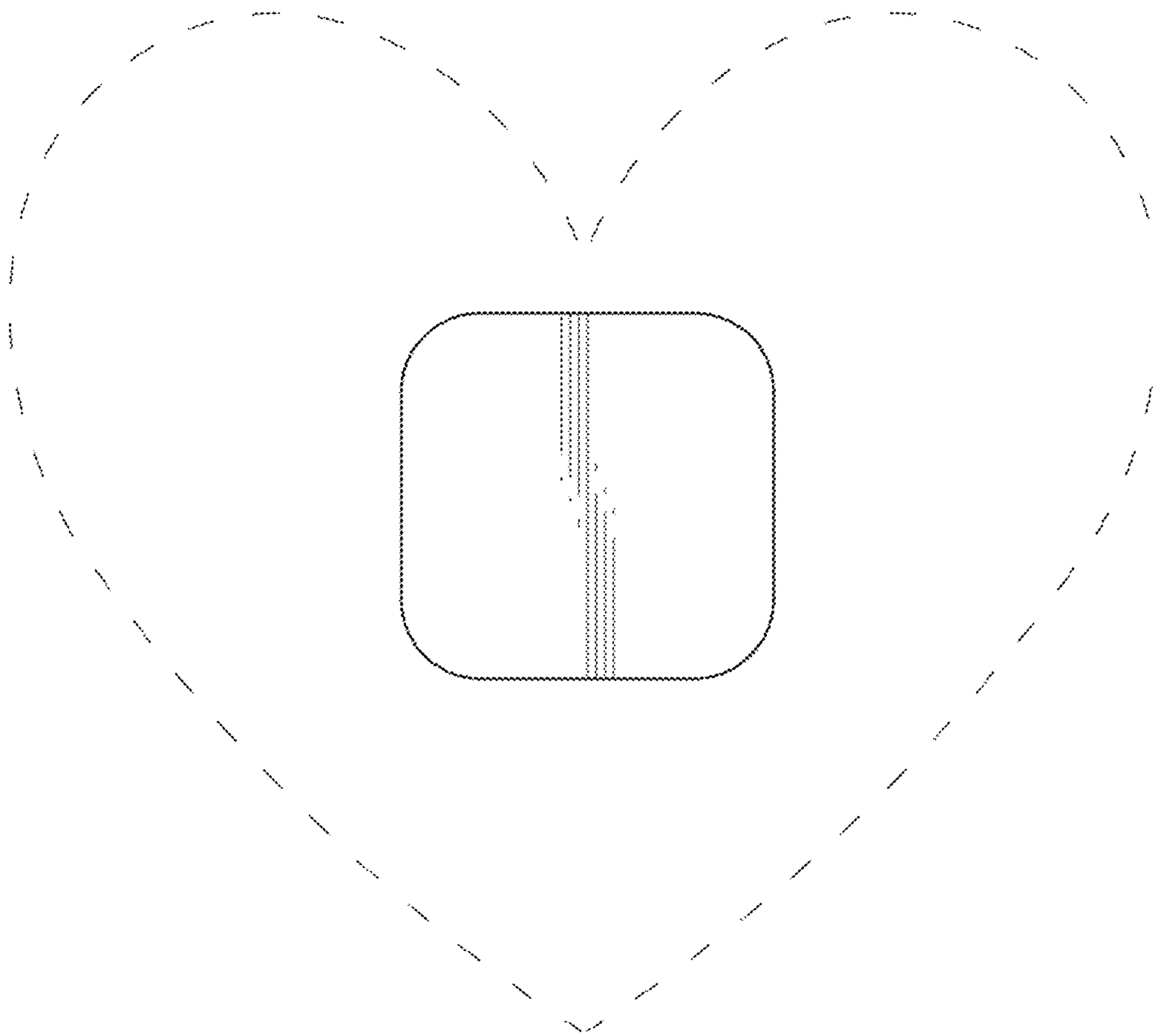
**FIG. 4**



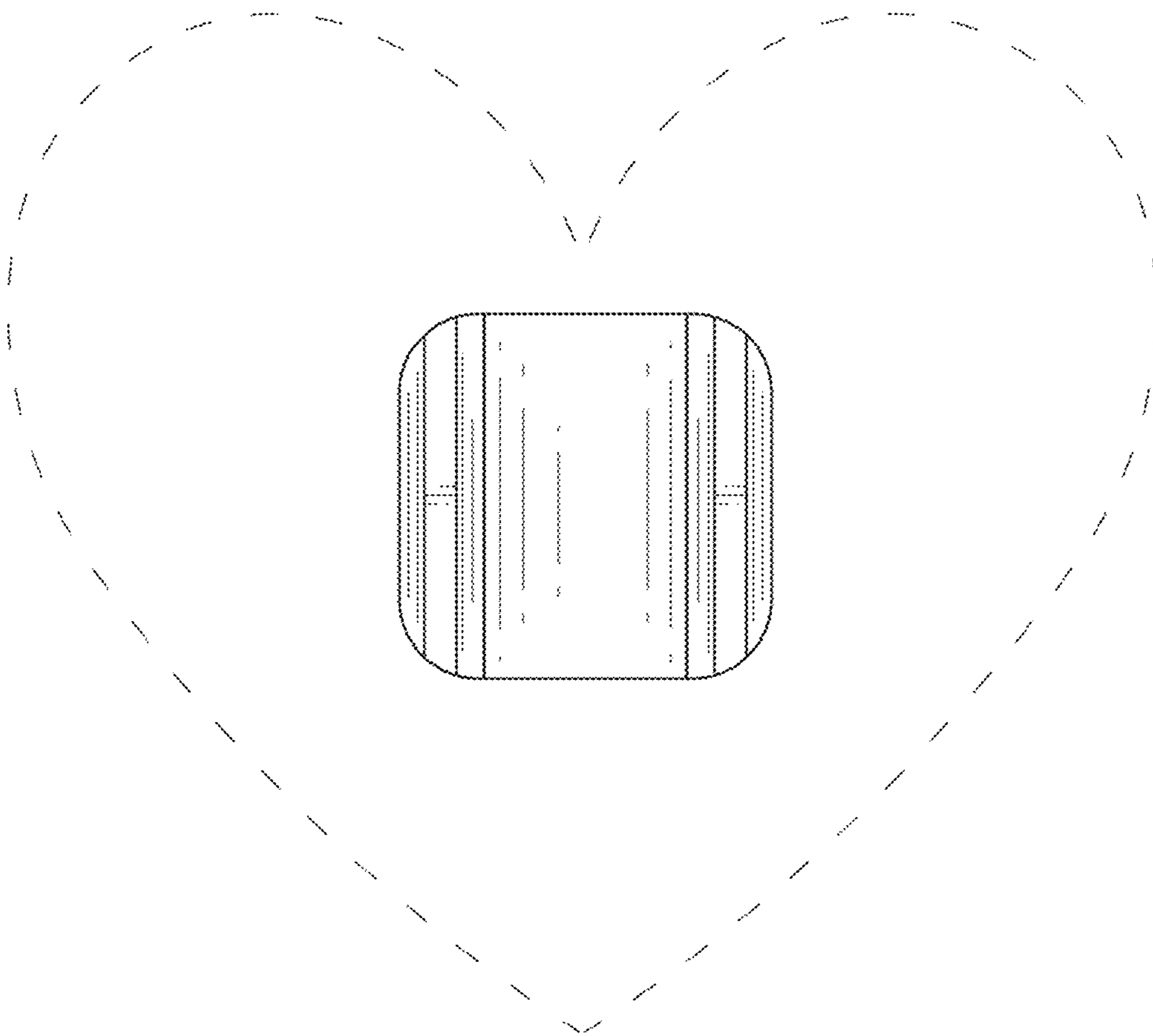
**FIG. 5**



**FIG. 6**

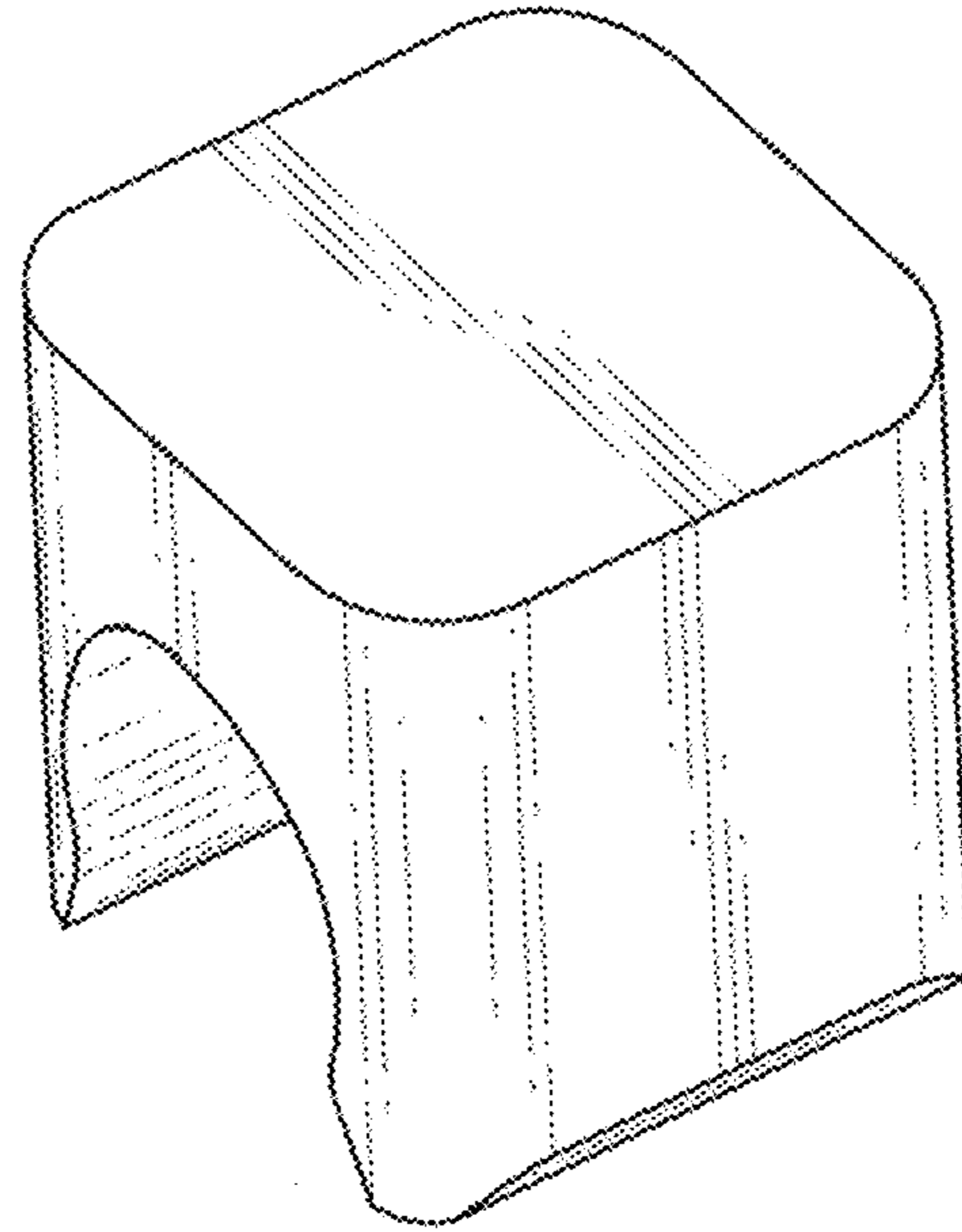


**FIG. 7**

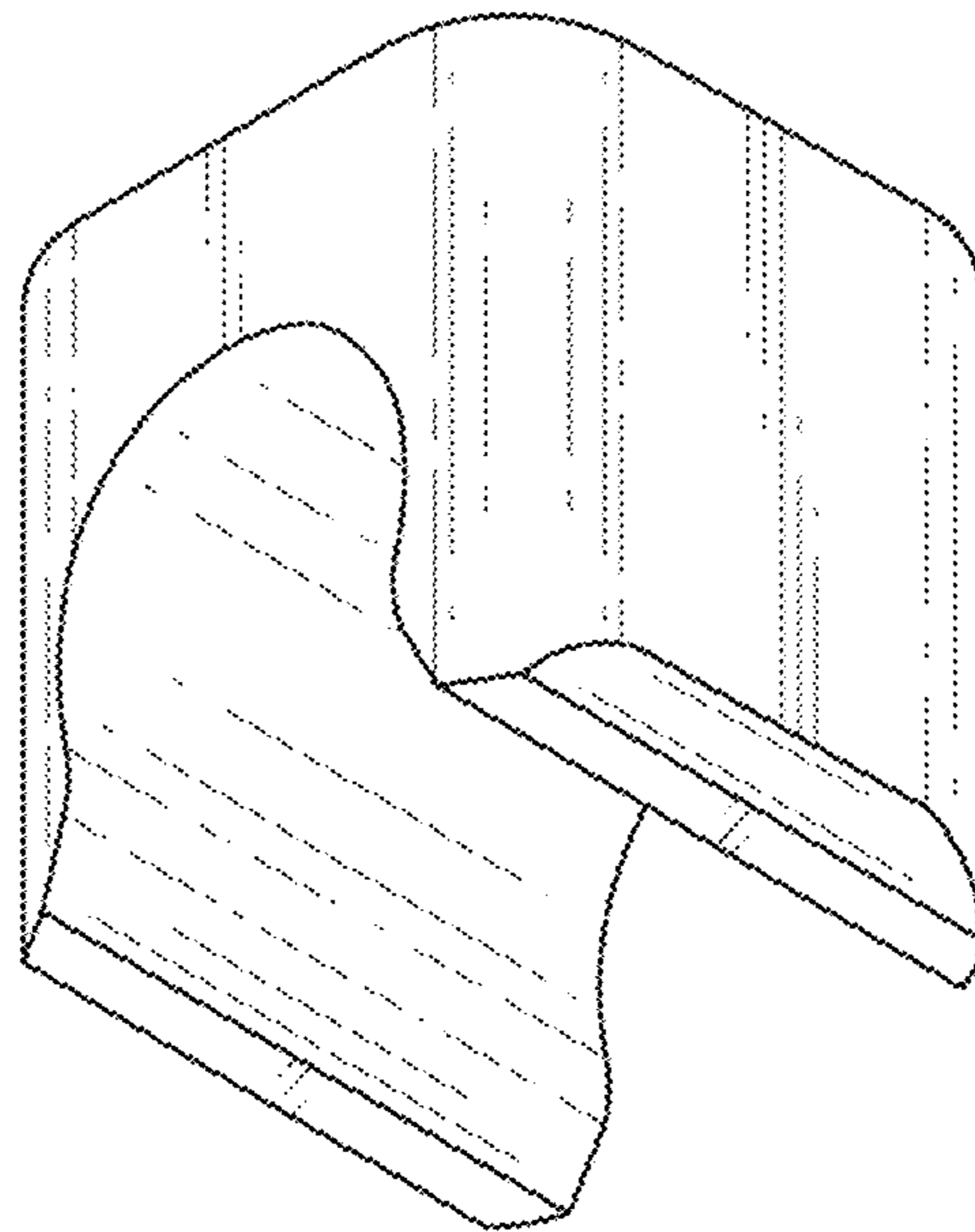


**FIG. 8**

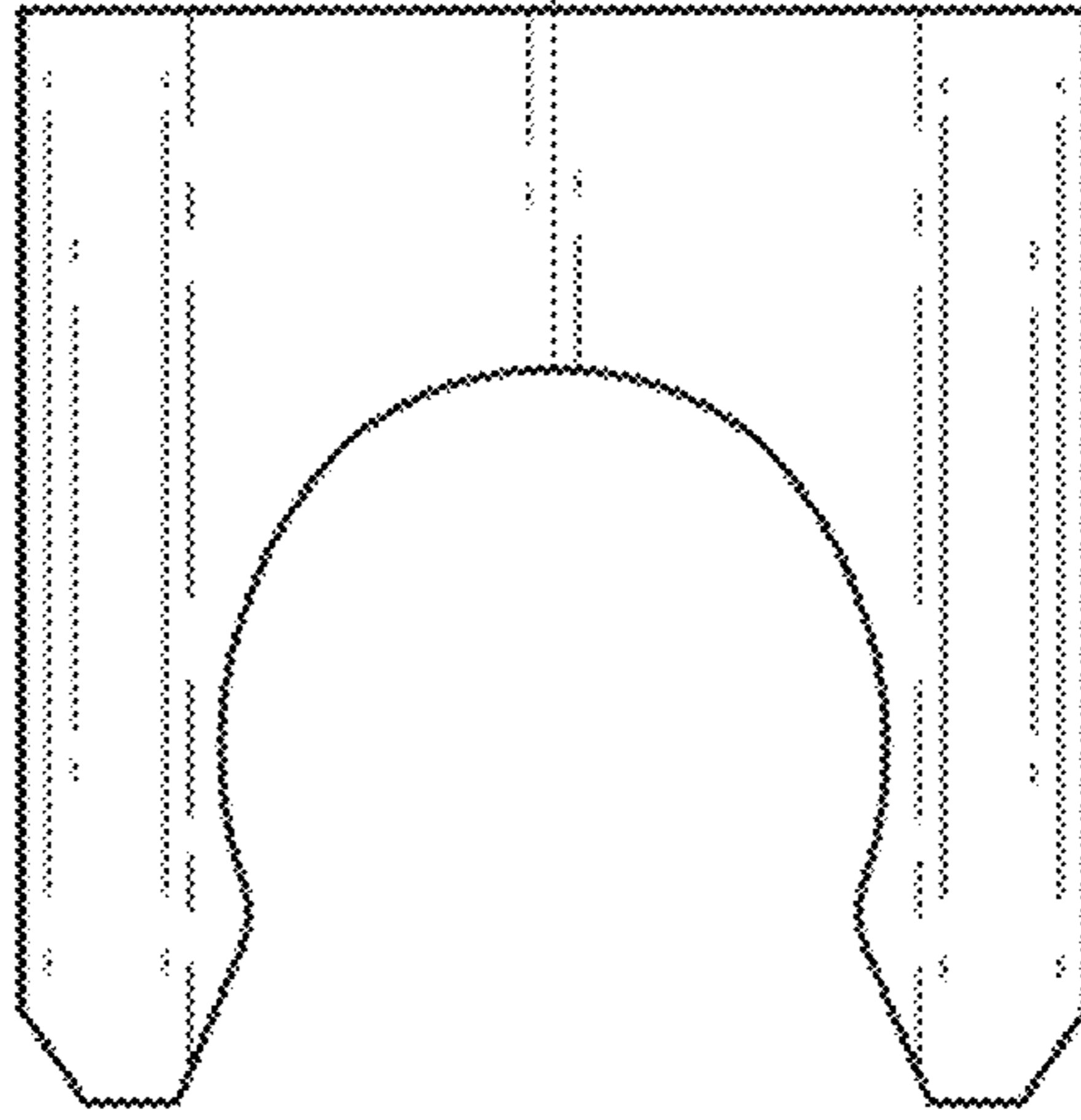




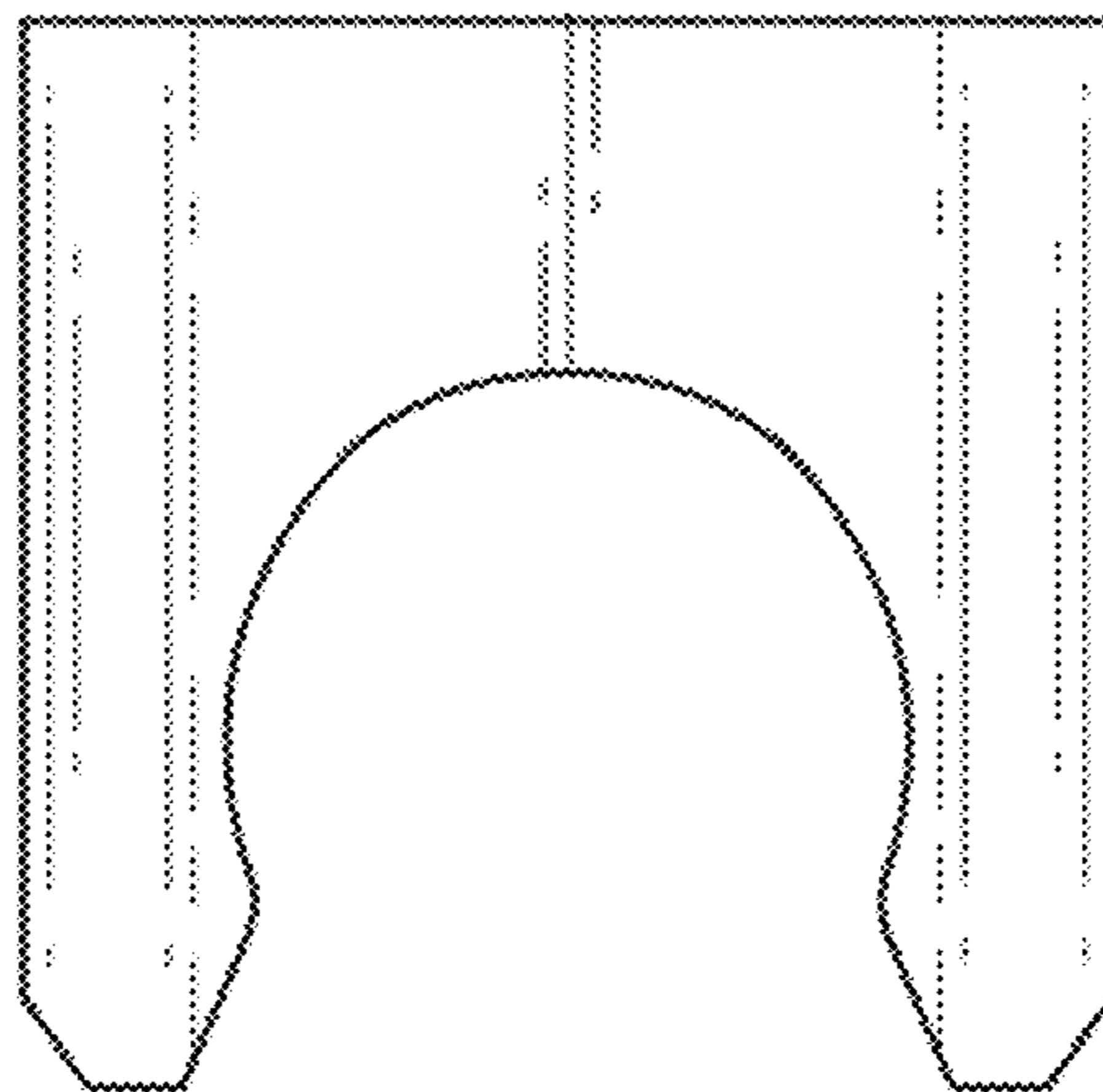
**FIG. 9**



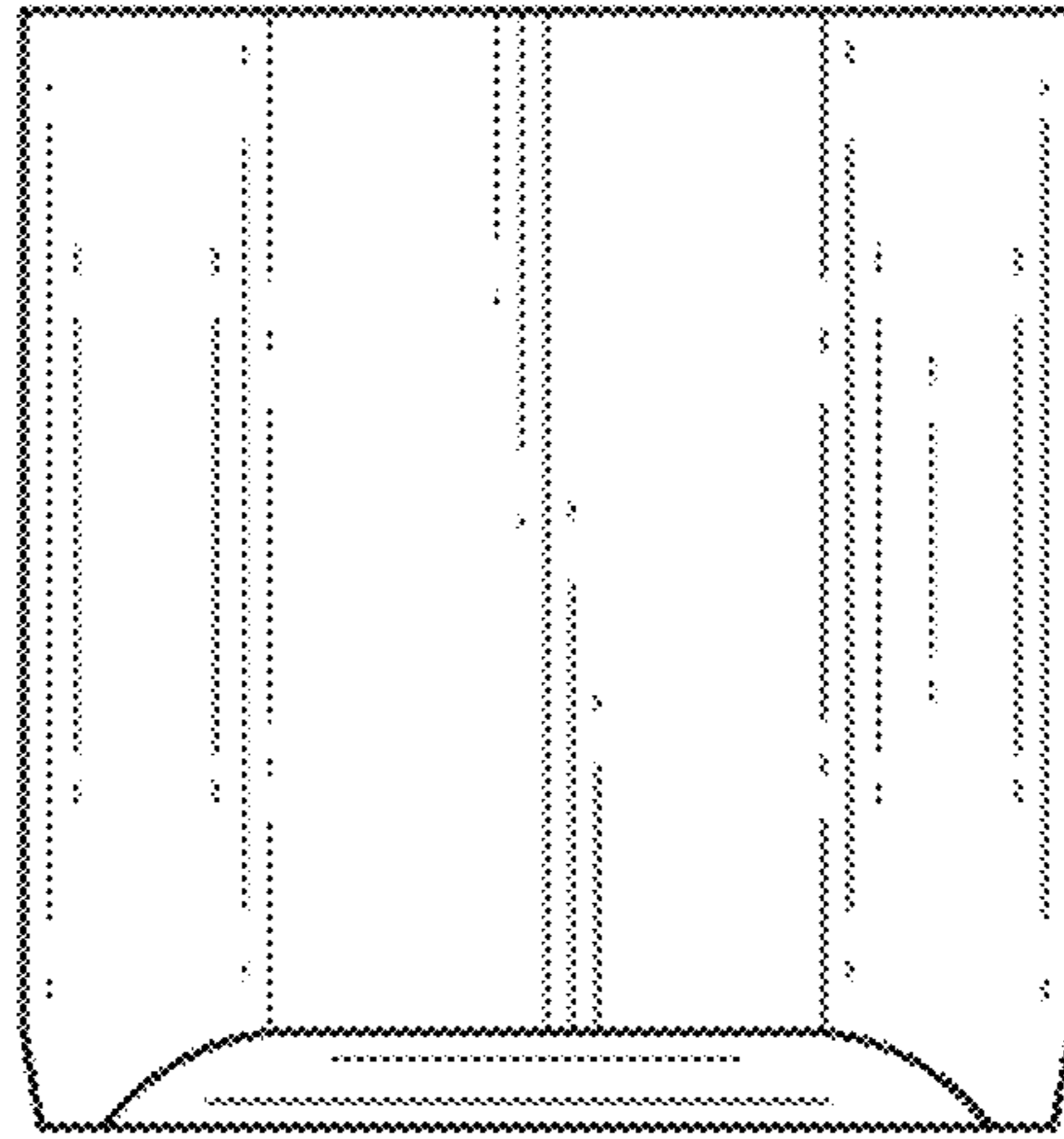
**FIG. 10**



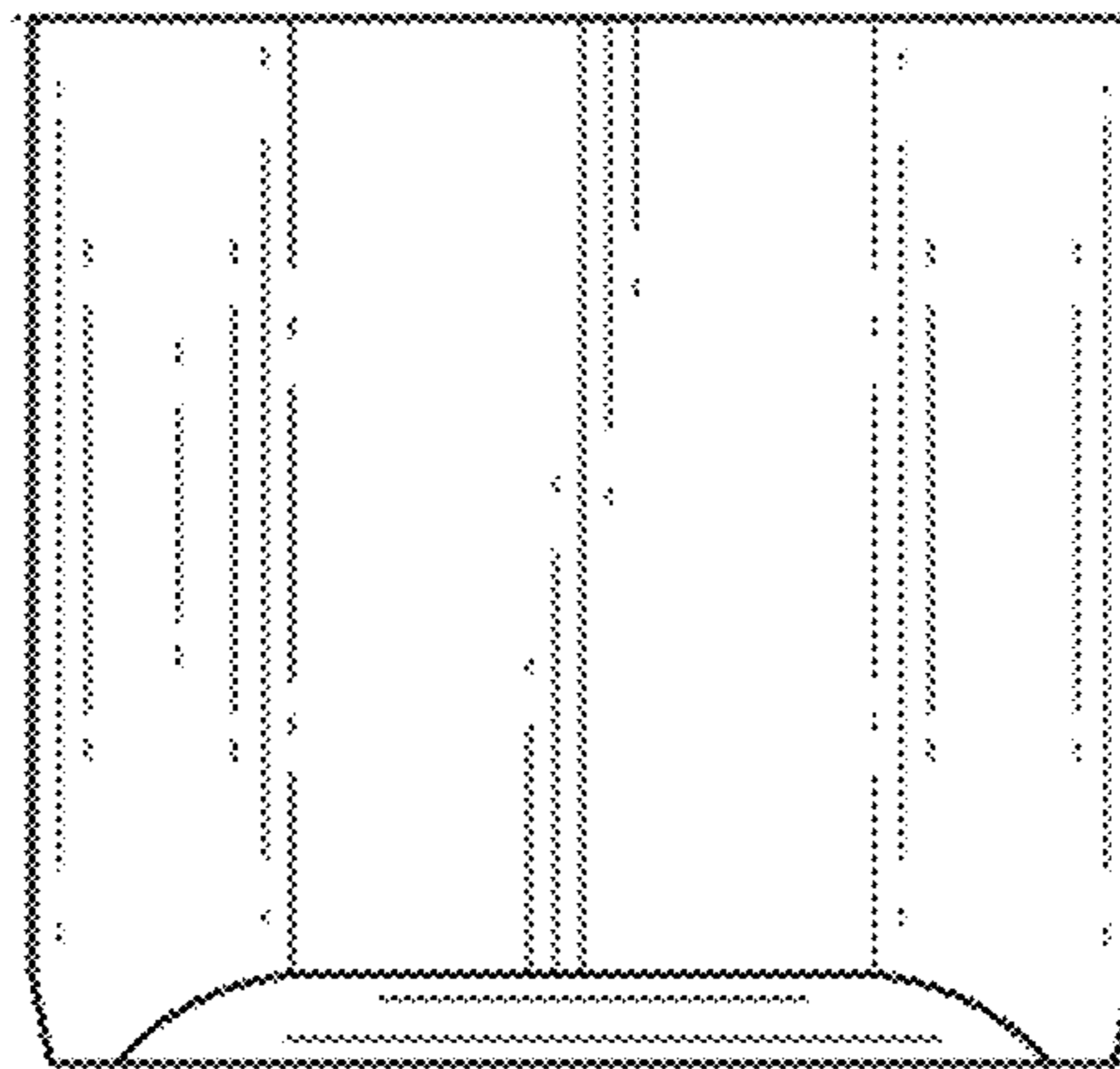
**FIG. 11**



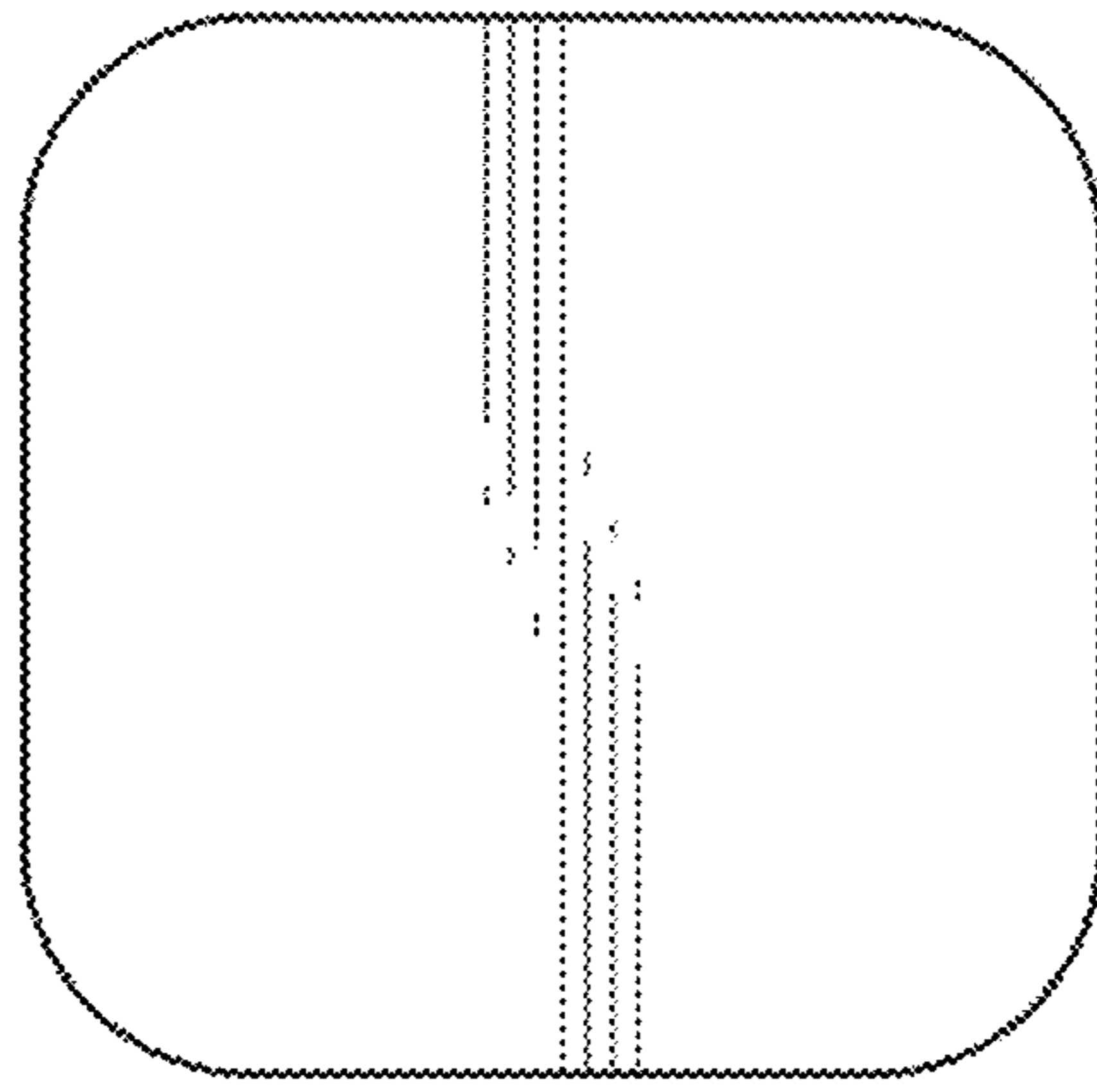
**FIG. 12**



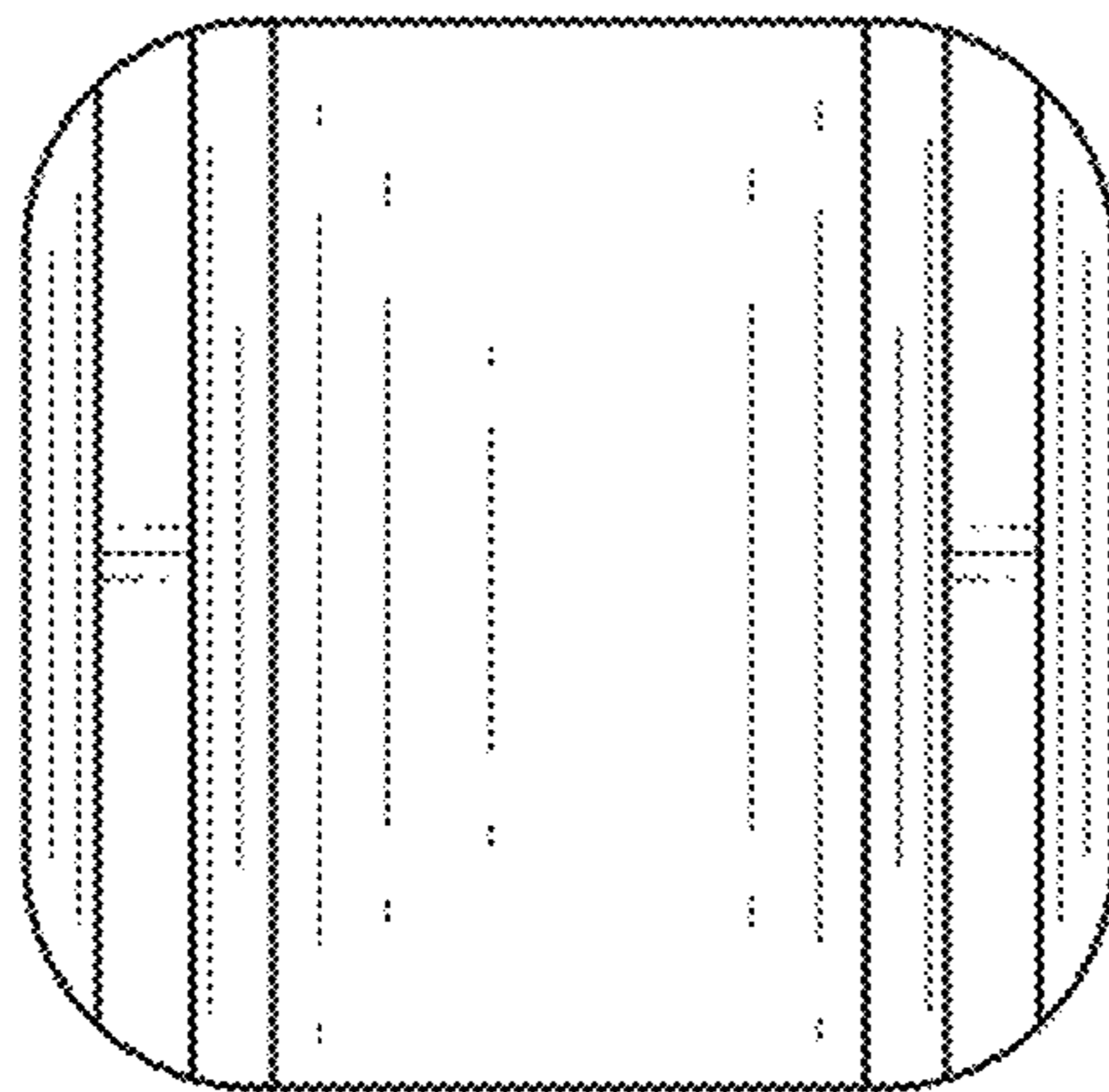
**FIG. 13**



**FIG. 14**



**FIG. 15**



**FIG. 16**