



US00D981370S

(12) **United States Design Patent** (10) **Patent No.:** **US D981,370 S**  
**Zheng et al.** (45) **Date of Patent:** **\*\* Mar. 21, 2023**

(54) **REMOTE CONTROLLER**  
(71) Applicant: **Shenzhen Bolong Technology Co. Ltd.**, Shenzhen (CN)  
(72) Inventors: **Huazhu Zheng**, Shenzhen (CN);  
**Caijian Zheng**, Shenzhen (CN);  
**Wenzhen Ouyang**, Shenzhen (CN)  
(\*\*) Term: **15 Years**  
(21) Appl. No.: **29/824,585**  
(22) Filed: **Jan. 26, 2022**  
(51) **LOC (14) Cl.** ..... **14-03**  
(52) **U.S. Cl.**  
USPC ..... **D14/218**  
(58) **Field of Classification Search**  
USPC ... D14/203.3, 217, 218, 204, 205, 206, 174,  
D14/380, 388, 396; D10/49, 50;  
D13/168, 164; D21/405, 566, 333;  
D16/237, 250  
CPC .. H04N 7/00; H04N 21/00; G06F 3/01; G06F  
3/016; G06F 3/017; G06F 3/02; G08C  
17/00; H03J 9/00; H05K 5/0017  
See application file for complete search history.

D828,336 S \* 9/2018 Matvienko ..... D14/218  
D837,747 S \* 1/2019 Lee et al.  
D848,977 S \* 5/2019 Pang ..... D14/218  
D856,978 S \* 8/2019 Lu ..... D14/218  
D872,710 S \* 1/2020 Tu ..... D14/218  
D934,816 S \* 11/2021 Chen ..... D13/168  
D942,968 S \* 2/2022 Maier ..... D14/218  
D943,550 S \* 2/2022 Maier ..... D14/218  
D945,984 S \* 3/2022 Huang ..... D14/218  
D945,985 S \* 3/2022 Zheng ..... D14/218  
D949,129 S \* 4/2022 Biddle ..... D14/218  
D953,298 S \* 5/2022 Zheng ..... D14/218

(Continued)

OTHER PUBLICATIONS

Onn 100010682 Projector 1080p LCD Projector, www.ebay.com,  
Aug. 11, 2020. <https://www.ebay.com/p/24039158110> (Year: 2020).\*

(Continued)

*Primary Examiner* — Llorellys Martinez  
*Assistant Examiner* — Kwabena A. Ankobiah  
(74) *Attorney, Agent, or Firm* — Rumit Ranjit Kanakia

(57) **CLAIM**

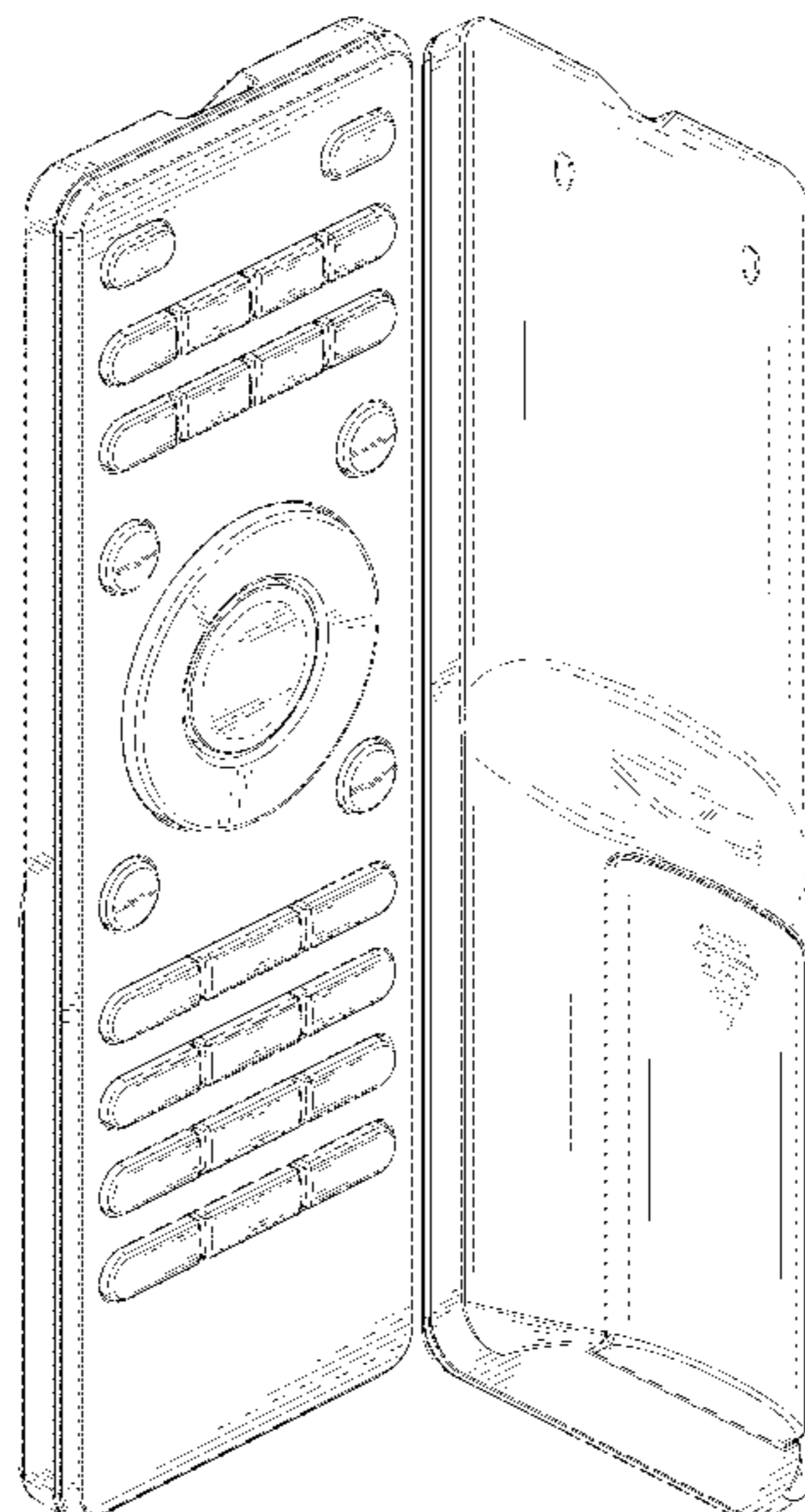
The ornamental design for a remote controller, as shown and described.

**DESCRIPTION**

FIG. 1 is a first perspective view of a remote controller showing our new design;  
FIG. 2 is a second perspective view thereof;  
FIG. 3 is a front view thereof;  
FIG. 4 is a back view thereof;  
FIG. 5 is a left side view thereof;  
FIG. 6 is a right side view thereof;  
FIG. 7 is a top view thereof; and,  
FIG. 8 is a bottom view thereof.  
The broken lines shown in the drawings depict portions of the remote controller that form no part of the claimed design.

**1 Claim, 8 Drawing Sheets**

(56) **References Cited**  
U.S. PATENT DOCUMENTS  
D630,188 S \* 1/2011 Daniels ..... D14/218  
D652,820 S \* 1/2012 Peh ..... D14/218  
D714,738 S \* 10/2014 Hu ..... D13/168  
D714,761 S \* 10/2014 O'Neil ..... D14/218  
D714,762 S \* 10/2014 O'Neil ..... D14/218  
D730,874 S \* 6/2015 McManigal ..... D14/218  
D735,166 S \* 7/2015 Hansen ..... D14/218  
D735,167 S \* 7/2015 Buch ..... D14/218  
D782,447 S 3/2017 Lim et al.  
D797,059 S \* 9/2017 Gong ..... D13/168  
D803,815 S \* 11/2017 Maier ..... D14/218  
D816,066 S 4/2018 Lee et al.



(56)

**References Cited**

U.S. PATENT DOCUMENTS

D965,560 S \* 10/2022 Akana ..... D14/218  
D971,180 S \* 11/2022 Zhu ..... D14/218  
D971,181 S \* 11/2022 Huang ..... D14/218  
D971,885 S \* 12/2022 Zhang ..... D14/218

OTHER PUBLICATIONS

Star Night Light Projector, [www.amazon.com](http://www.amazon.com), Aug. 17, 2021. <https://www.amazon.com/Projector-Version-Bluetooth-Christmas-Decoration/dp/B09CSYB2K6?th=1> (Year: 2021).\*

Review of the Onn 720p HD Projector, [www.turbofuture.com](http://www.turbofuture.com), Sep. 22, 2021. <https://turbofuture.com/home-theater-audio/Review-of-the-Onn-720p-HD-Projector#gid=ci028e106e60002755&pid=review-of-the-onn-720p-hd-projector> (Year: 2021).\*

Sale White Noise LED Night Light Nebula Cloud Galaxy Projector Bluetooth Ambiance Lamp Bedroom Decor Ocean Wave Sleep Lamp D30, [www.aliexpress.com](http://www.aliexpress.com), accessed on Aug. 23, 2022. <https://www.aliexpress.com/item/3256802096481366.html>? (Year: 2022).\*

\* cited by examiner

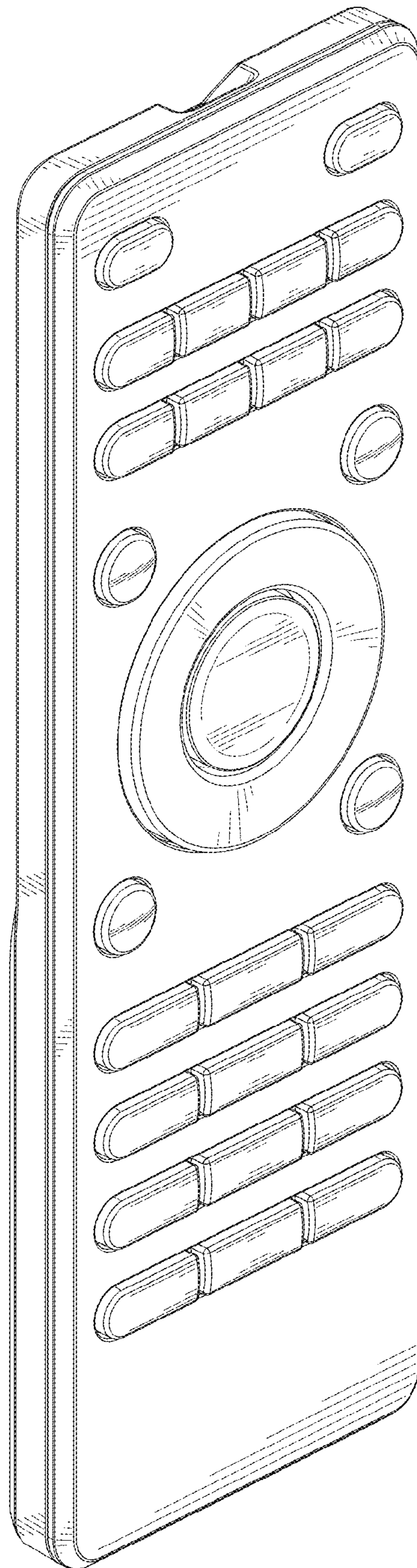


FIG. 1

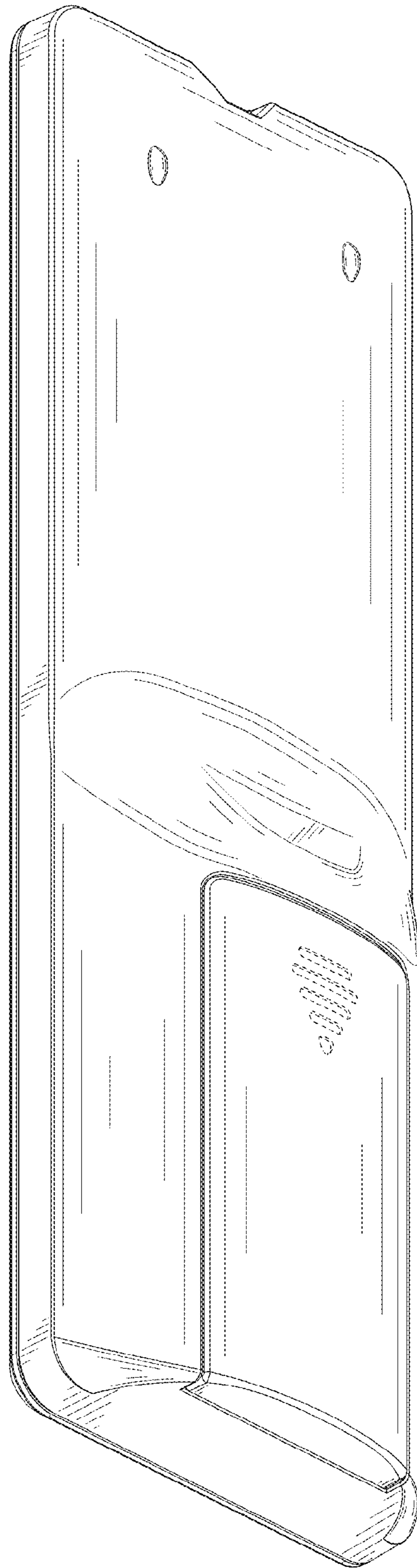


FIG. 2

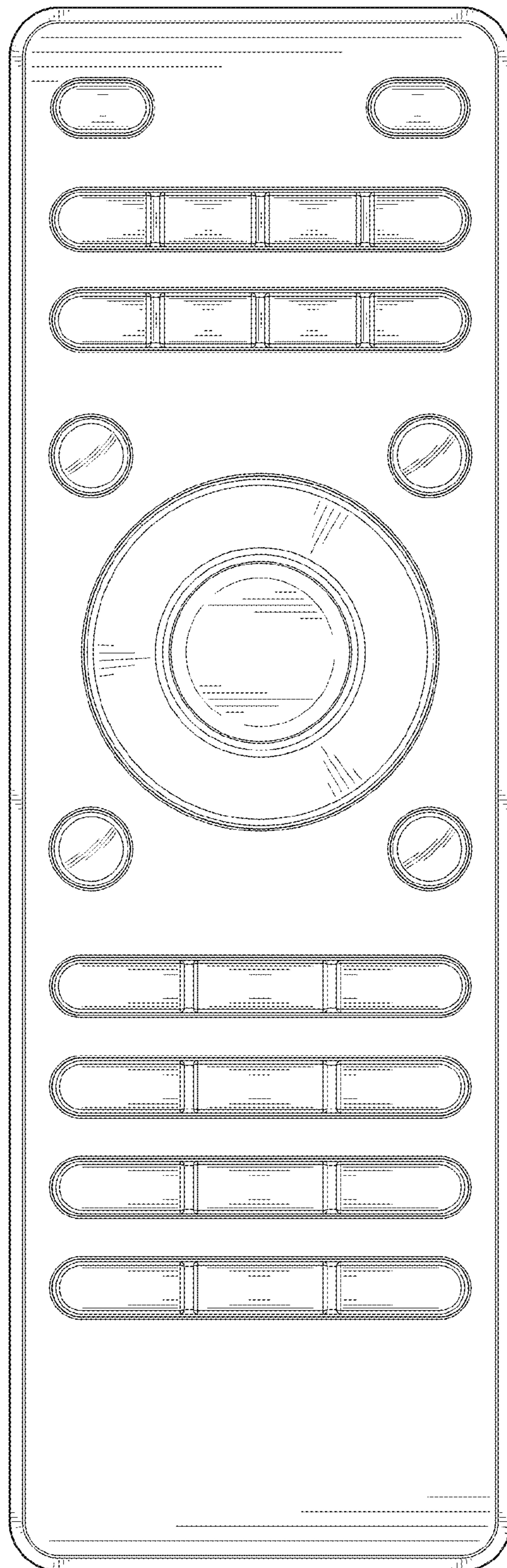


FIG. 3

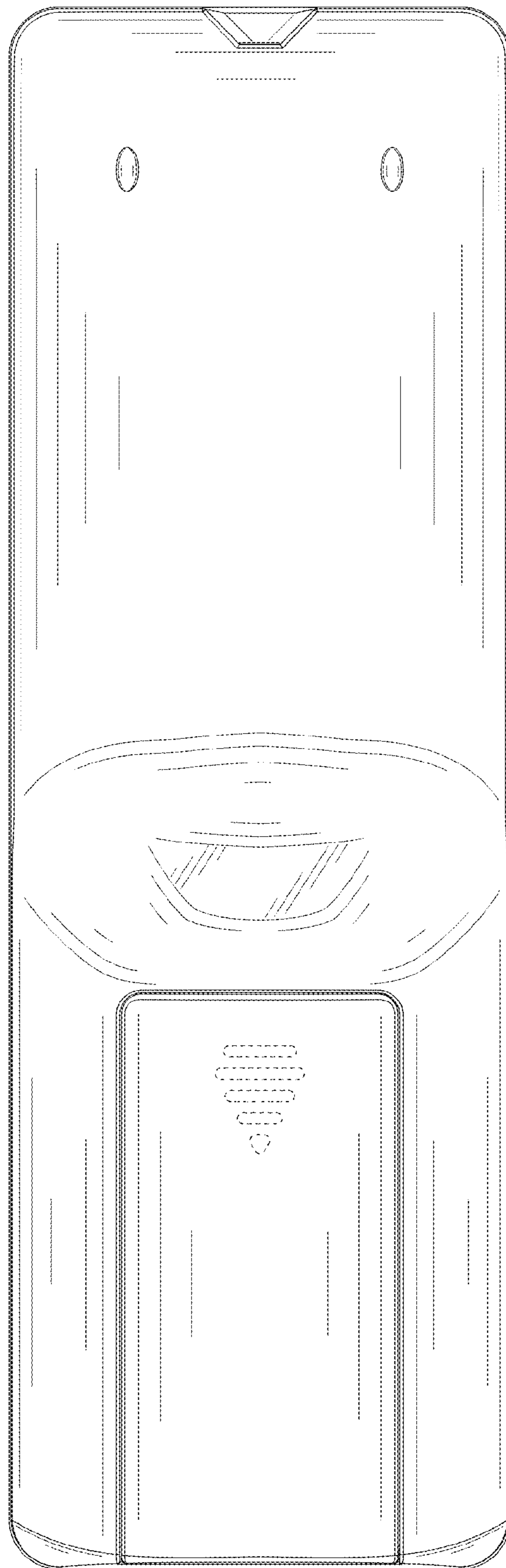


FIG. 4

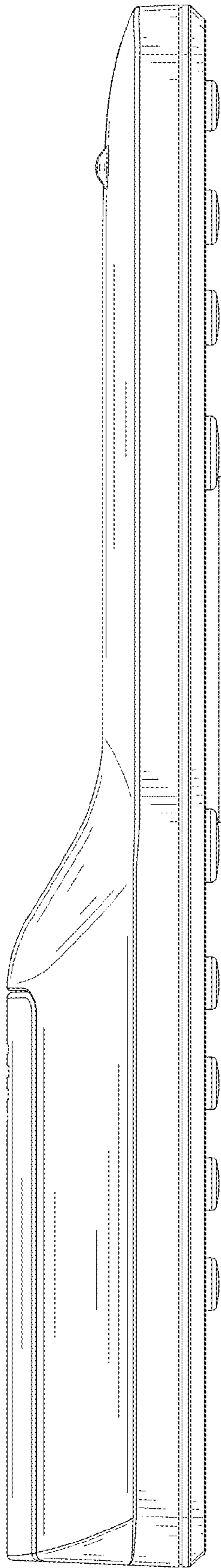


FIG. 5

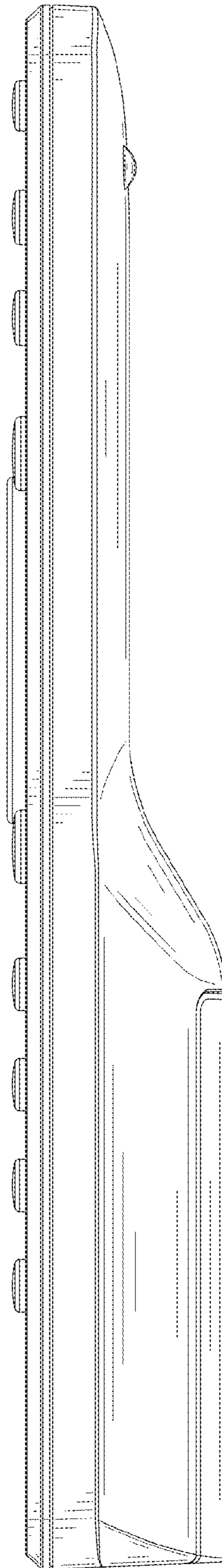


FIG. 6



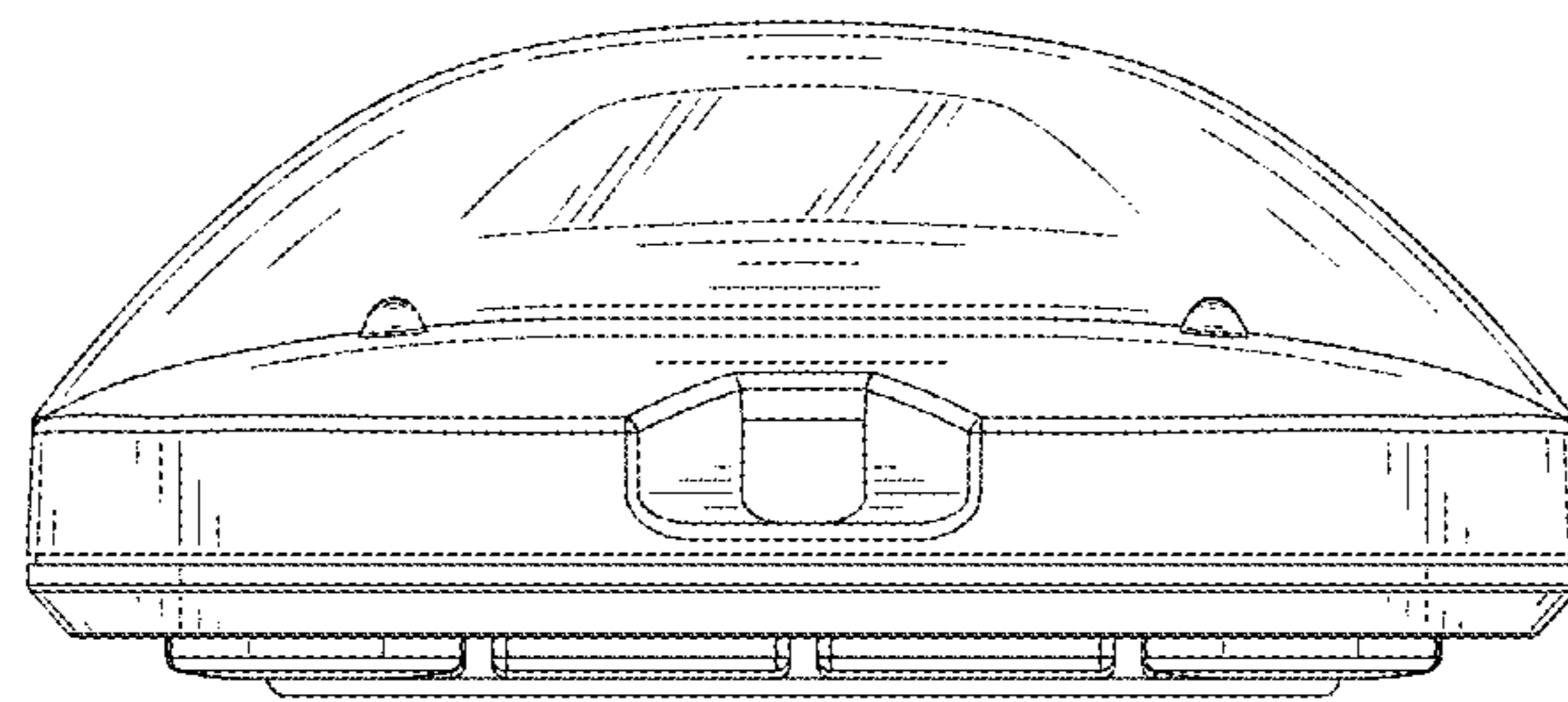


FIG. 7

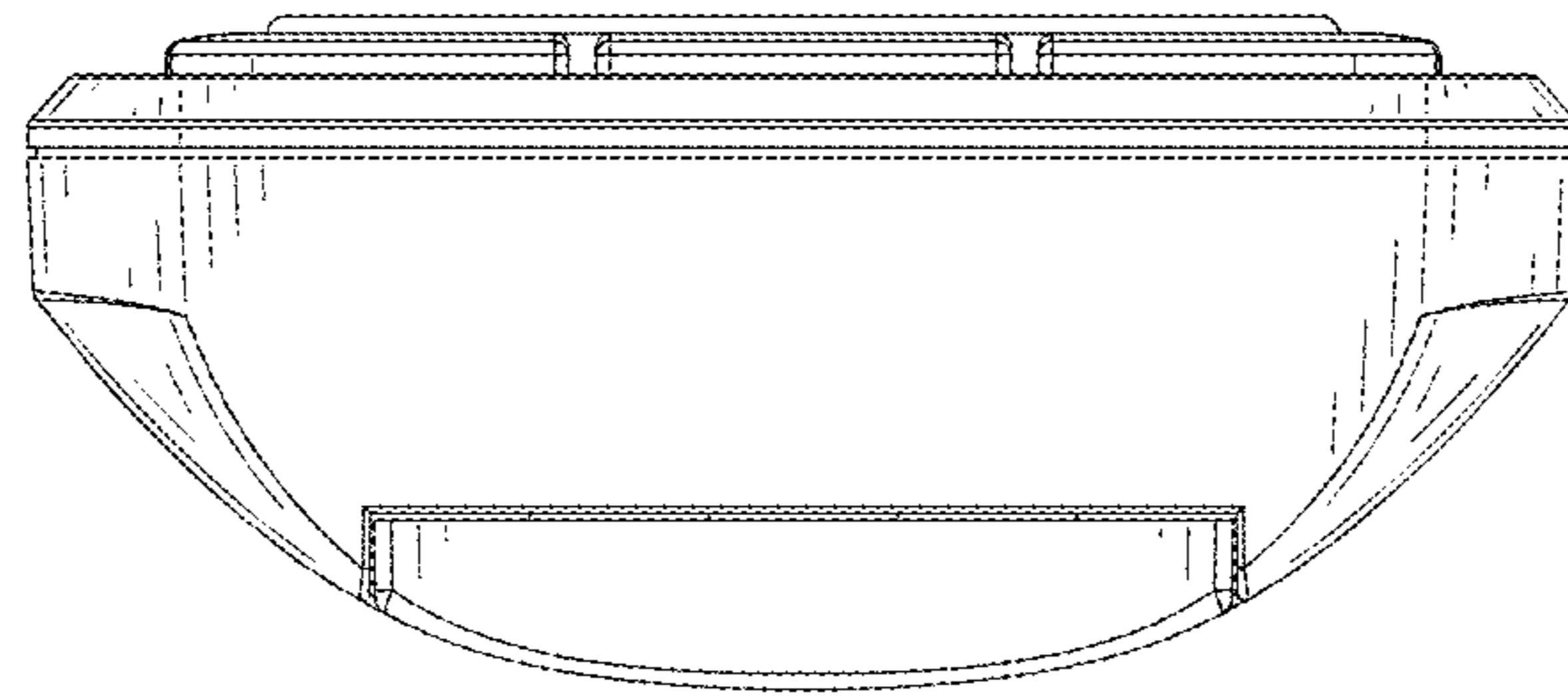


FIG. 8