



US00D981368S

(12) **United States Design Patent**
Zhao

(10) **Patent No.:** **US D981,368 S**
(45) **Date of Patent:** **** Mar. 21, 2023**

(54) **WIRELESS ALARM CLOCK SPEAKER**

(71) Applicant: **Shenzhen Kenuo Digital Technology Co., Ltd., Shenzhen (CN)**

(72) Inventor: **Weiqin Zhao, Shenzhen (CN)**

(**) Term: **15 Years**

(21) Appl. No.: **29/847,188**

(22) Filed: **Jul. 22, 2022**

(51) **LOC (14) Cl.** **14-01**

(52) **U.S. Cl.**
USPC **D14/214**

(58) **Field of Classification Search**
USPC D10/15, 104.1, 106.1; D14/195, 204,
D14/215, 210, 214, 168, 170, 225, 188,
D14/356, 203.3, 211, 171, 209.1, 496;
D23/364
CPC H04R 1/02; H04R 1/026; H04R 9/06
See application file for complete search history.

(56) **References Cited**

U.S. PATENT DOCUMENTS

D568,312 S *	5/2008	Wang	D14/356
D581,899 S	12/2008	Skurdal		
D594,845 S	6/2009	Skurdal		
D617,305 S	6/2010	Chen		
D619,116 S	7/2010	Skurdal		
D619,118 S	7/2010	Joseph		
D620,922 S	8/2010	Skurdal		

D636,373 S	4/2011	Miu		
D655,686 S	3/2012	Miu		
D727,876 S	4/2015	Breines		
D730,314 S *	5/2015	Chapman	D14/204
D753,185 S *	4/2016	Ryu	D14/496
D773,431 S	12/2016	Holzer		
D819,597 S *	6/2018	Hu	D14/214
D940,083 S *	1/2022	Bi	D14/218

* cited by examiner

Primary Examiner — Khawaja Anwar

Assistant Examiner — Megan Tiana Rakos

(74) *Attorney, Agent, or Firm* — Rumit Ranjit Kanakia

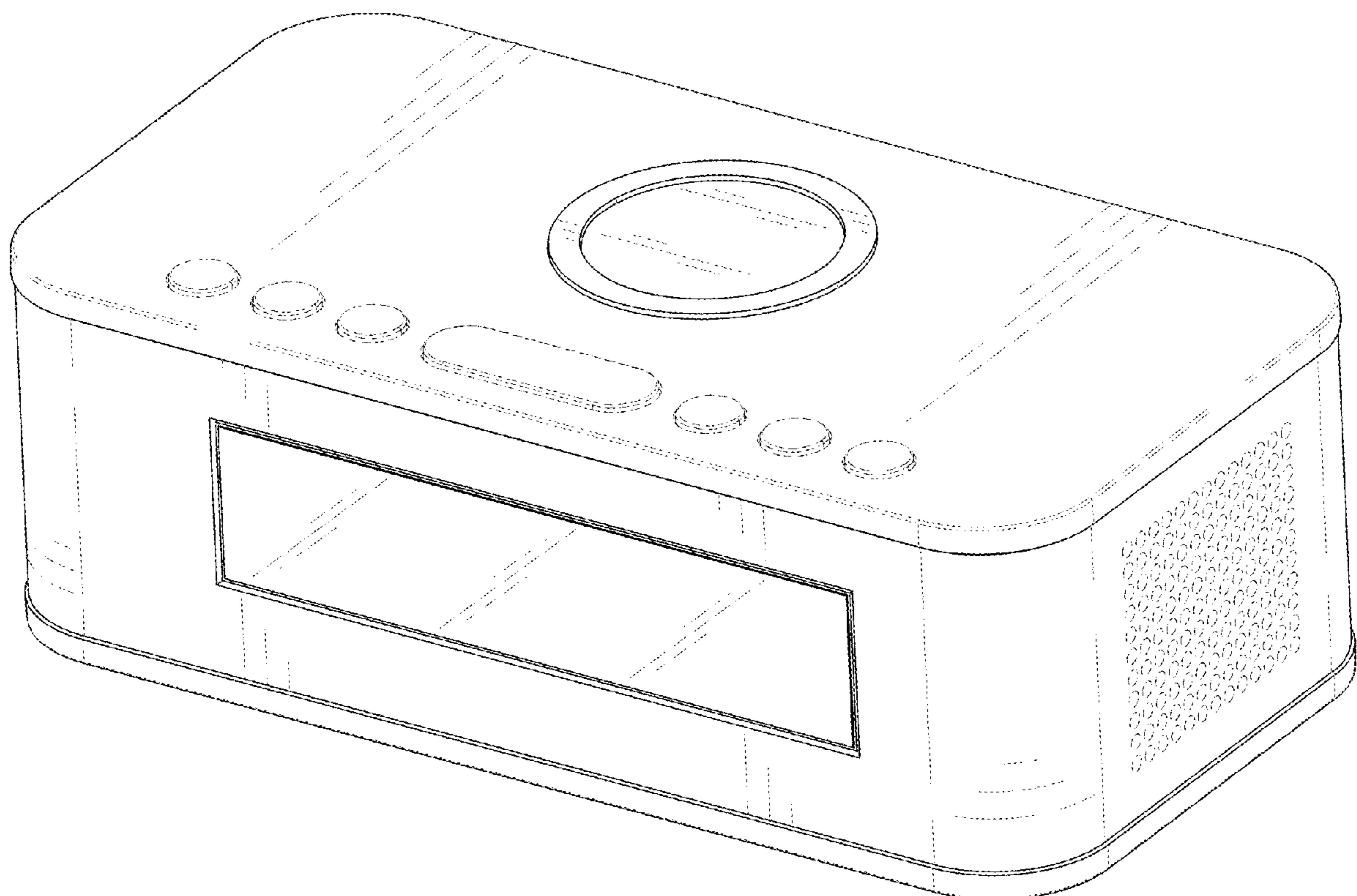
(57) **CLAIM**

The ornamental design for a wireless alarm clock speaker, as shown and described.

DESCRIPTION

FIG. 1 is a perspective view of a wireless alarm clock speaker showing my new design;
FIG. 2 is another perspective view thereof;
FIG. 3 is a front elevational view thereof;
FIG. 4 is a rear elevational view thereof;
FIG. 5 is a left side view thereof, the right side view being a mirror image of FIG. 5;
FIG. 6 is a top plan view thereof; and,
FIG. 7 is a bottom plan view thereof.
The broken lines in the figures are for the purpose of illustrating portions of the wireless alarm clock speaker, that form no part of the claimed design.

1 Claim, 7 Drawing Sheets



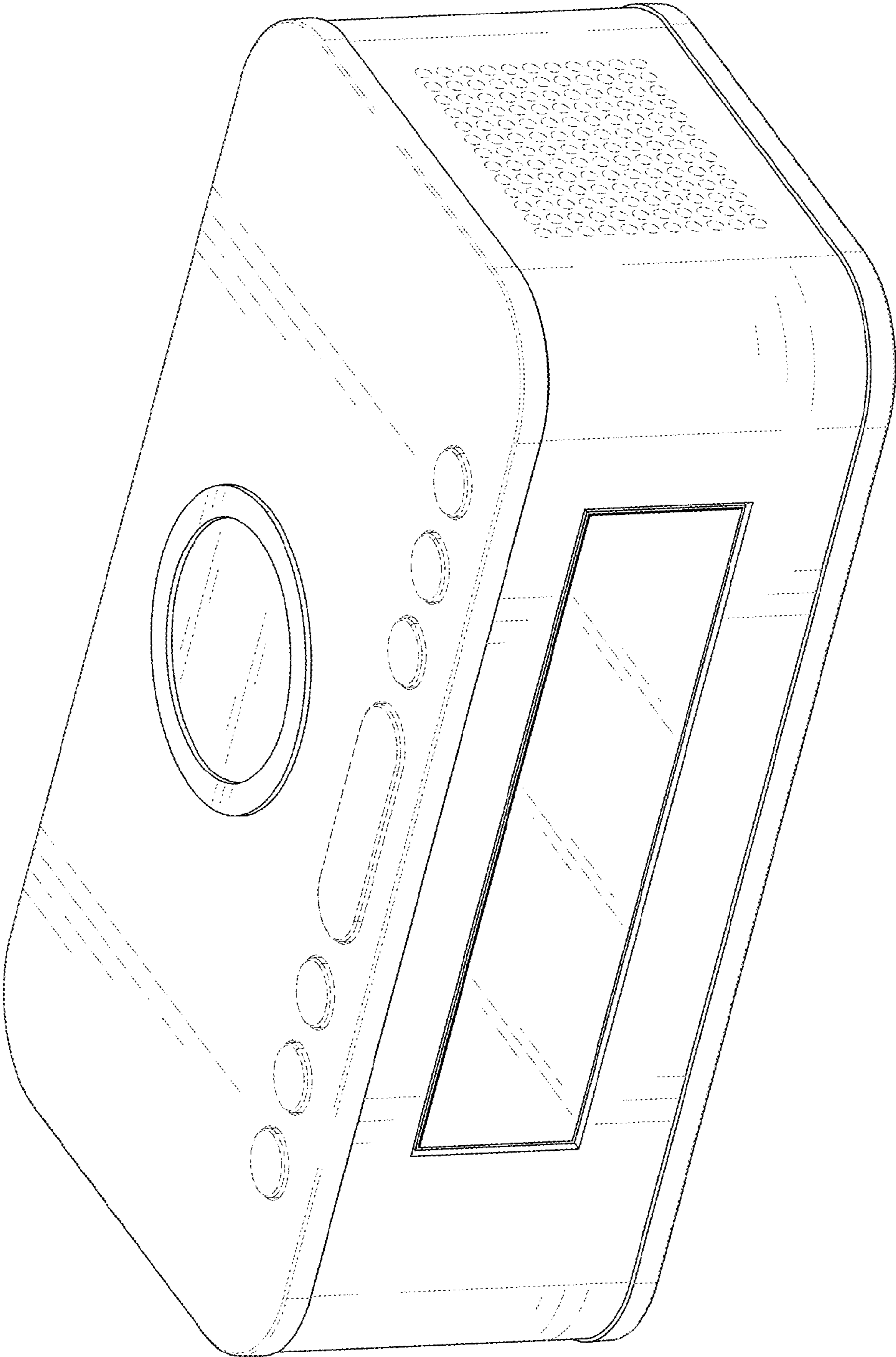


FIG. 1

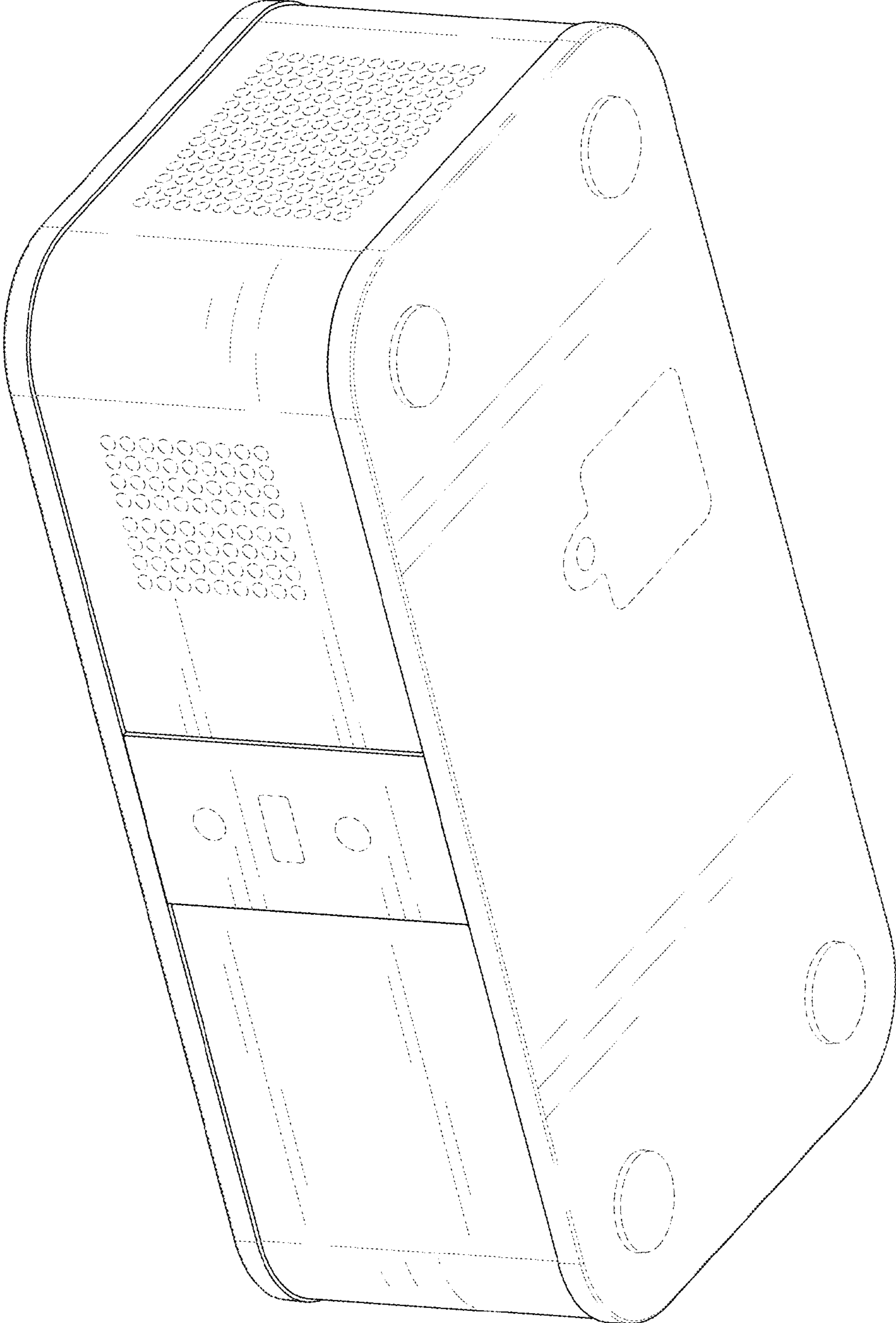


FIG. 2

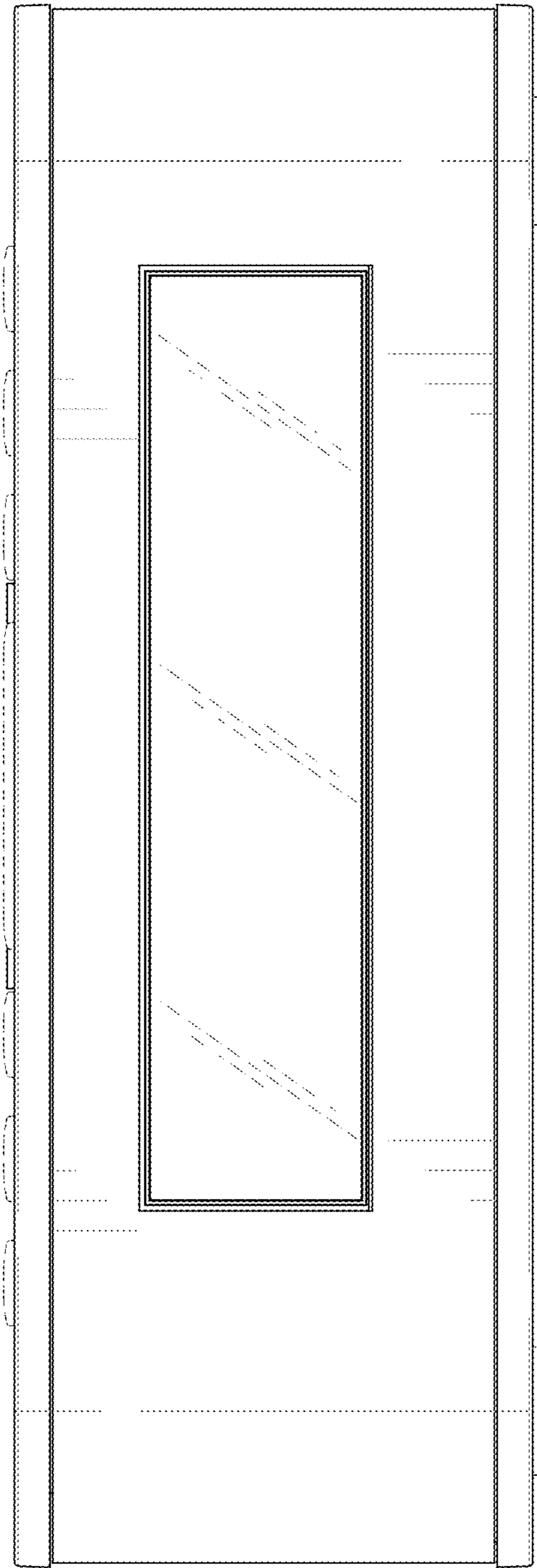


FIG. 3

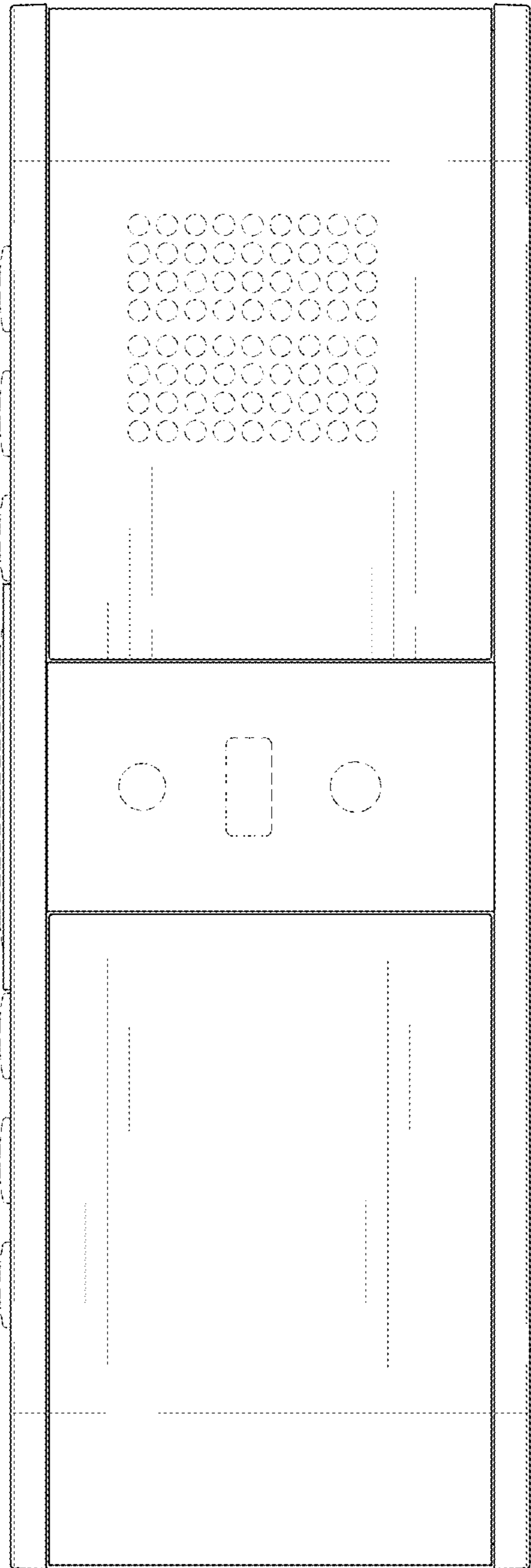


FIG. 4

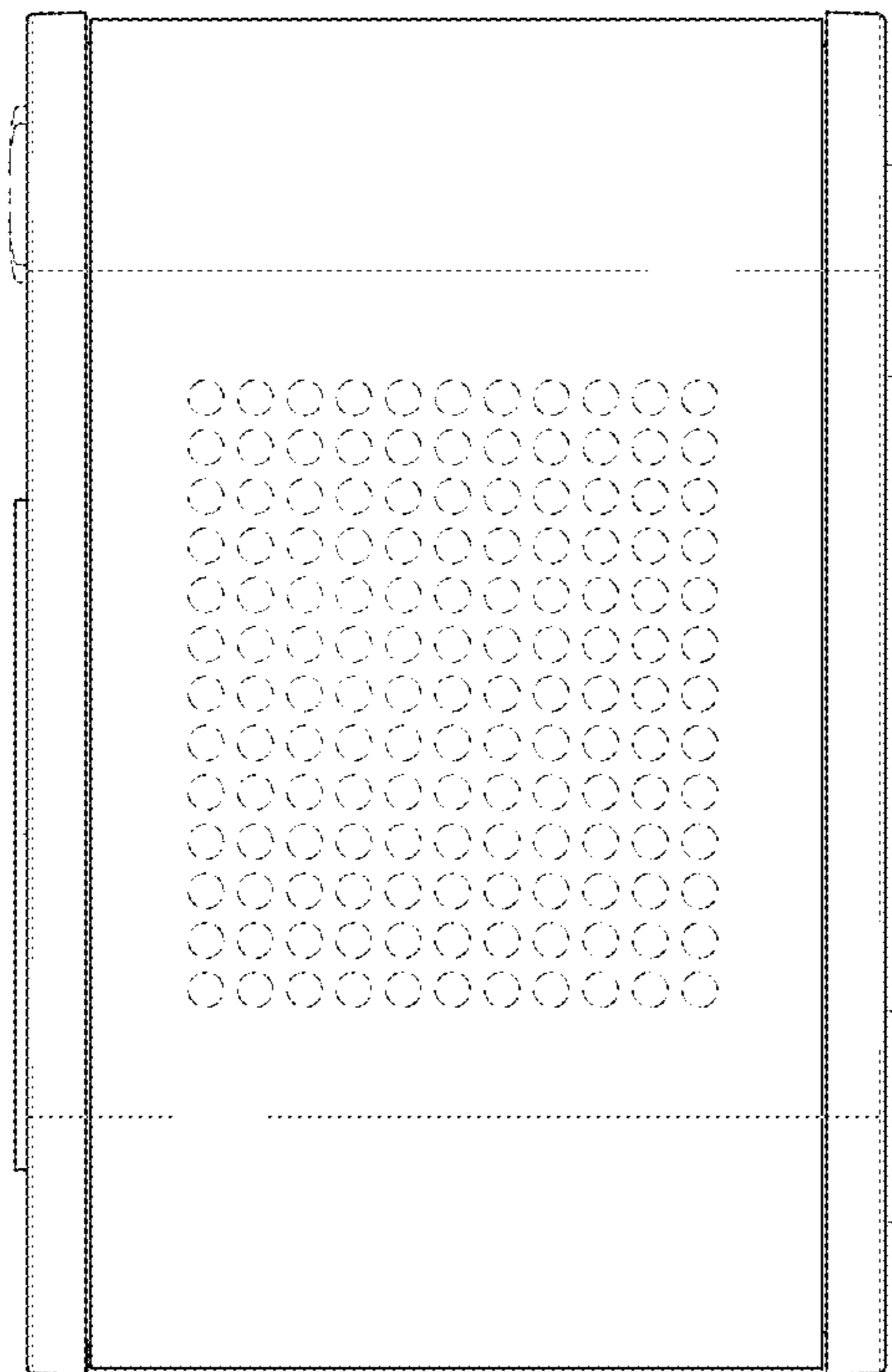


FIG. 5

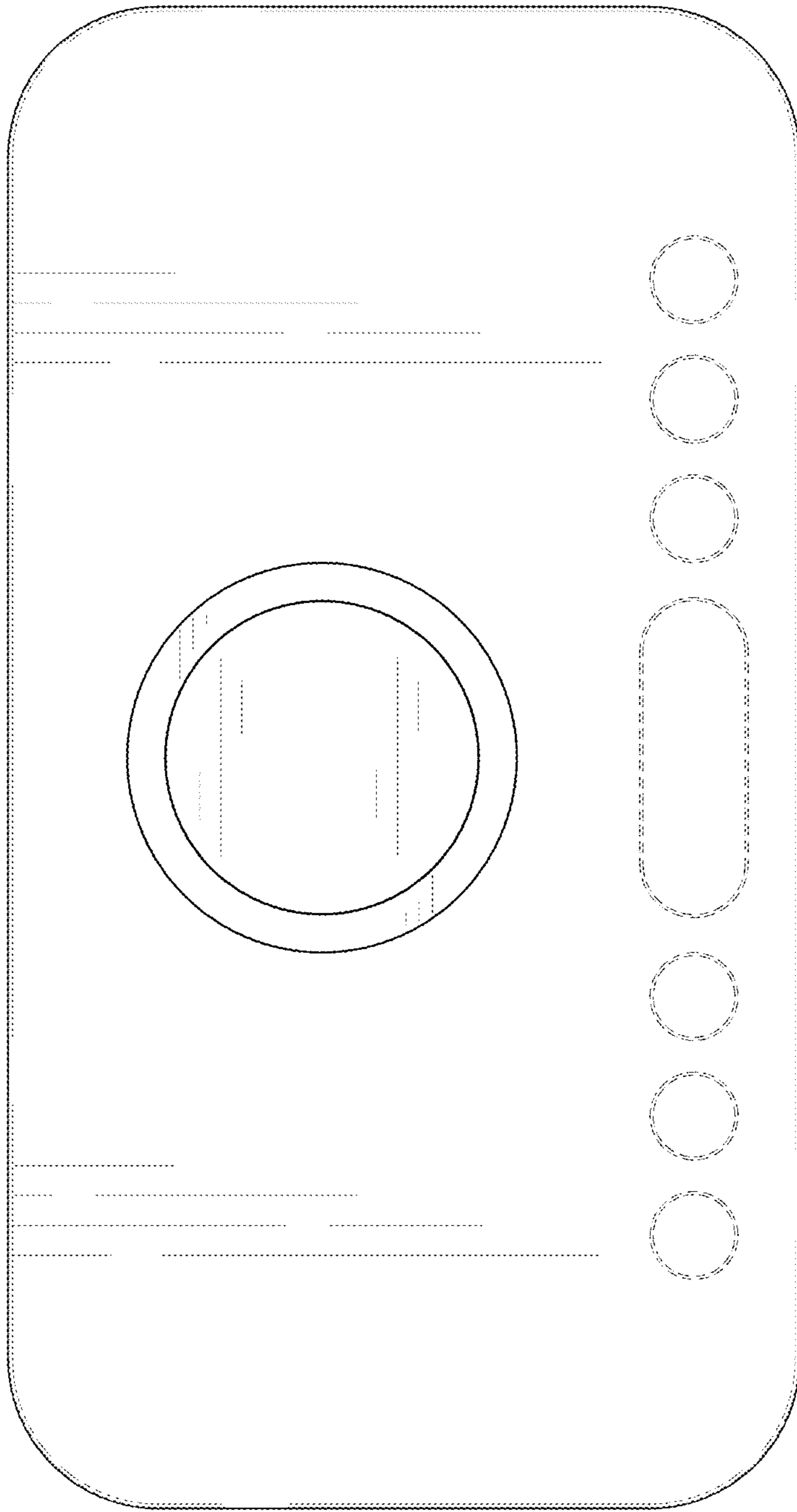


FIG. 6

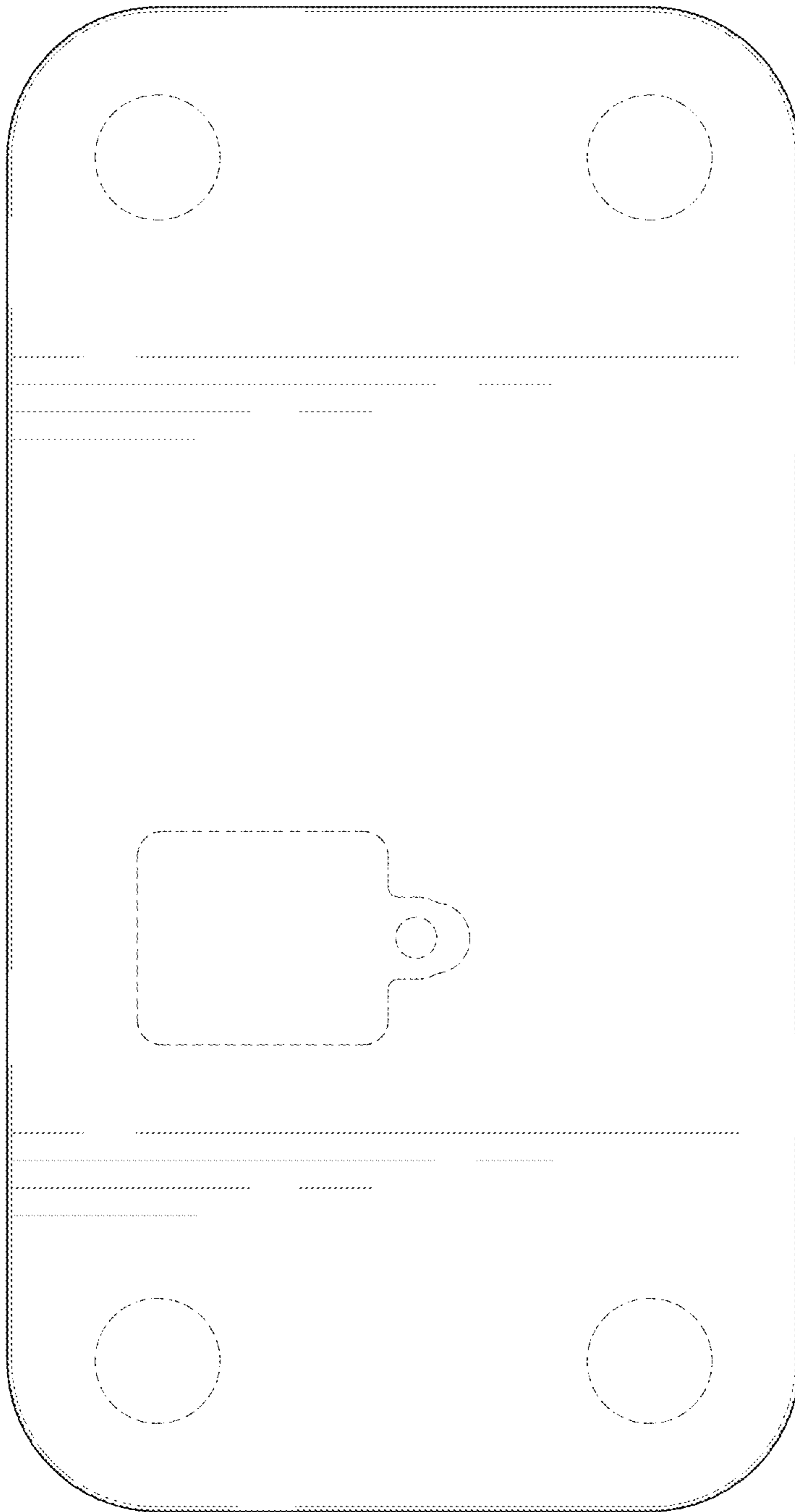


FIG. 7