



US00D981366S

(12) **United States Design Patent**  
**Yu**

(10) **Patent No.:** **US D981,366 S**  
(45) **Date of Patent:** **\*\* Mar. 21, 2023**

(54) **DINOSAUR KID HEADPHONE**

(71) Applicant: **Xiaopei Yu**, Hunan (CN)

(72) Inventor: **Xiaopei Yu**, Hunan (CN)

(\*\*) Term: **15 Years**

(21) Appl. No.: **29/868,546**

(22) Filed: **Dec. 6, 2022**

(51) **LOC (14) Cl.** ..... **14-01**

(52) **U.S. Cl.**  
USPC ..... **D14/205**; D14/207

(58) **Field of Classification Search**  
USPC ..... D14/205, 207; D28/41; 132/273, 275;  
D2/869; D29/112; D11/16-17, 79;  
D21/615; 446/130; 273/DIG. 17;  
381/380-381; 362/103-104; 2/209  
CPC ..... H04R 25/00; H04R 25/02; H04R 1/1066;  
H04R 1/1016; H04R 5/033; H04R  
5/0335; F21V 21/08; A61F 11/14; A45D  
8/12

See application file for complete search history.

(56) **References Cited**

**U.S. PATENT DOCUMENTS**

- 2,728,084 A \* 12/1955 Long ..... A42B 1/16  
2/195.7
- 2,866,204 A \* 12/1958 Mayer ..... A42B 1/16  
2/200.1
- 3,031,681 A \* 5/1962 Hoefflich ..... A42B 1/16  
D2/869
- D349,345 S \* 8/1994 Abrams ..... D21/615
- D360,927 S \* 8/1995 VanDeusen ..... D21/615
- D435,477 S \* 12/2000 Kavalek ..... D11/90
- D440,742 S \* 4/2001 Mitchell ..... D2/869
- 6,357,052 B1 \* 3/2002 Fleming ..... A42B 1/004  
2/244
- D537,984 S \* 3/2007 Steudle ..... D28/41
- 7,473,004 B1 \* 1/2009 Tsai ..... A44C 15/006  
362/104
- D611,200 S \* 3/2010 Packard ..... D29/122

- D636,560 S \* 4/2011 Kelly ..... D2/874
- D668,633 S \* 10/2012 Enquist ..... D14/205
- D671,263 S \* 11/2012 Weigl, Jr. .... D28/41
- D674,969 S \* 1/2013 Ratner ..... D29/102
- D674,970 S \* 1/2013 Ratner ..... D29/102
- D700,590 S \* 3/2014 Heath ..... D14/205
- D722,590 S \* 2/2015 Lu ..... D14/205
- D733,090 S \* 6/2015 Petersen ..... D14/205
- D758,991 S \* 6/2016 Petersen ..... D14/205
- D763,226 S \* 8/2016 Petersen ..... D14/205

(Continued)

**FOREIGN PATENT DOCUMENTS**

- CN 303207491 \* 5/2015
- CN 305568006 \* 1/2020
- EM 008783831-0001 \* 12/2021

**OTHER PUBLICATIONS**

Simjar Dinosaur Kids Headphones with Microphone for School, Volume Limiter 85/94dB, Over-Ear Girls Boys Headphones for Kids with Foldable Wired Headphones for iPad/Travel/Tablet (Green) [https://www.amazon.com/SIMJAR-Dinosaur-Headphones-Microphone-Over-Ear/dp/B0BKT5F2Z8/ref=sf\\_1\\_2\\_sspa?crd=13Q6VU55HYGUX&key](https://www.amazon.com/SIMJAR-Dinosaur-Headphones-Microphone-Over-Ear/dp/B0BKT5F2Z8/ref=sf_1_2_sspa?crd=13Q6VU55HYGUX&key) (Year: 2022).\*

*Primary Examiner* — Paula Allen Greene

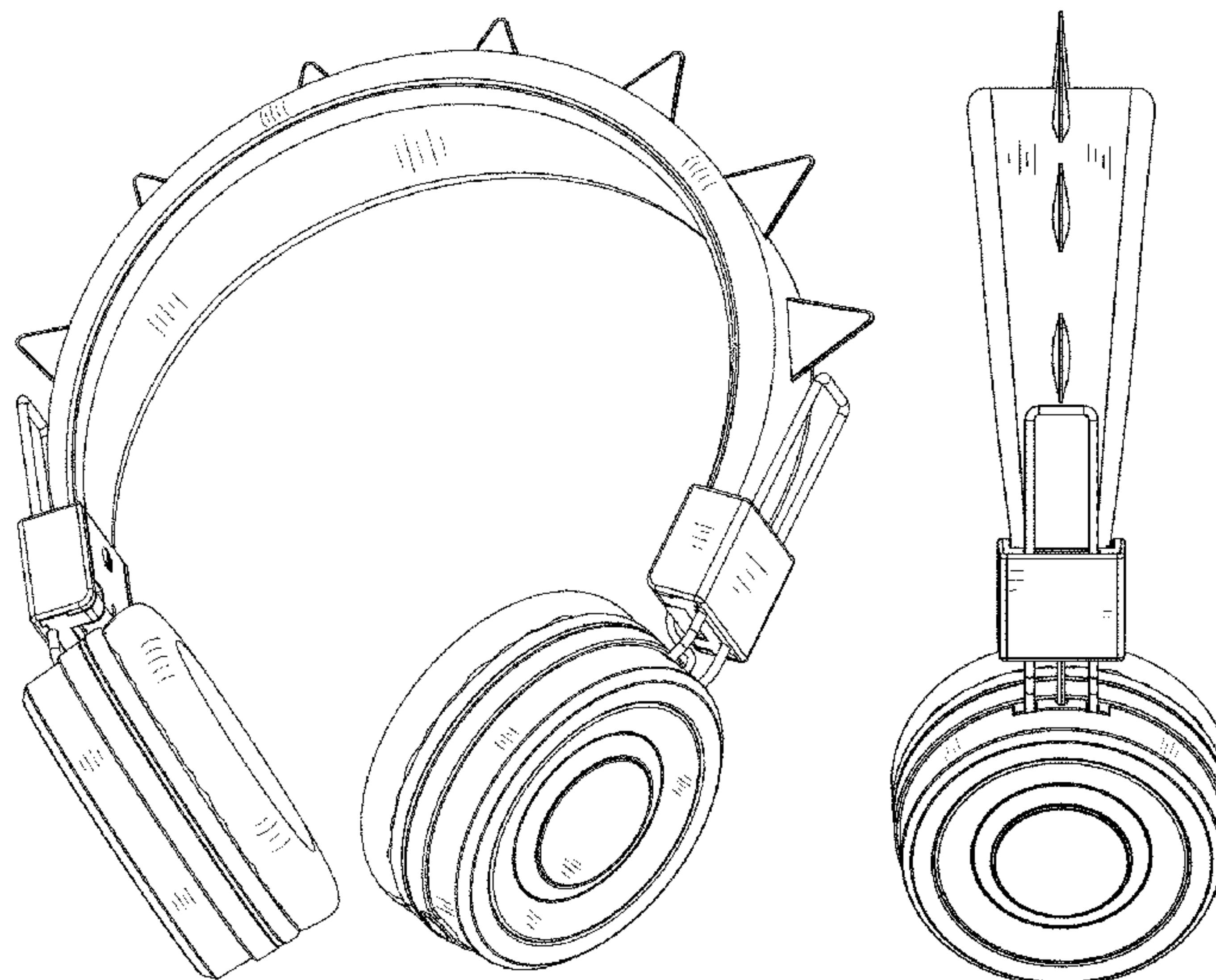
(57) **CLAIM**

The ornamental design for a dinosaur kid headphone, as shown and described.

**DESCRIPTION**

FIG. 1 is a front, right side perspective view of a dinosaur kid headphone, showing my new design; FIG. 2 is a front elevational view thereof; FIG. 3 is a back devotional view thereof; FIG. 4 is a left side elevational view thereof; FIG. 5 is a right side elevational view thereof; FIG. 6 is a top plan view thereof; and, FIG. 7 is a bottom plan view thereof.

**1 Claim, 7 Drawing Sheets**



(56)

References Cited

U.S. PATENT DOCUMENTS

D780,156	S	*	2/2017	Petersen	.....	D14/205
D790,504	S	*	6/2017	Tam	.....	D14/205
D795,218	S	*	8/2017	Ohmachi	.....	D14/205
D796,478	S	*	9/2017	Minn	.....	D14/205
D830,330	S	*	10/2018	Petersen	.....	D14/205
D837,763	S	*	1/2019	Suzuki	.....	D14/205
D842,270	S	*	3/2019	Chen	.....	D14/205
D849,712	S	*	5/2019	Billaudet	.....	D14/205
D857,652	S	*	8/2019	Wang	.....	D14/205
D864,896	S	*	10/2019	Zhang	.....	D14/205
D870,064	S	*	12/2019	Petersen	.....	D14/205
D874,430	S	*	2/2020	Liu	.....	D14/205
D886,078	S	*	6/2020	He	.....	D14/206
D896,782	S	*	9/2020	Li	.....	D14/206
D897,638	S	*	10/2020	Hsu	.....	D2/871
D944,768	S		3/2022	He		
D947,153	S		3/2022	He		
D951,906	S	*	5/2022	Li	.....	D14/207
D954,021	S	*	6/2022	He	.....	D14/205
D975,674	S	*	1/2023	Li	.....	D14/207
2002/0170568	A1	*	11/2002	Tsai	.....	A45D 8/36 132/275
2002/0170588	A1	*	11/2002	Seo	.....	E04H 15/58 135/124
2013/0271964	A1	*	10/2013	Rife	.....	A45C 15/06 362/104
2014/0268682	A1	*	9/2014	Brady	.....	F21V 33/004 362/105

\* cited by examiner



FIG. 1



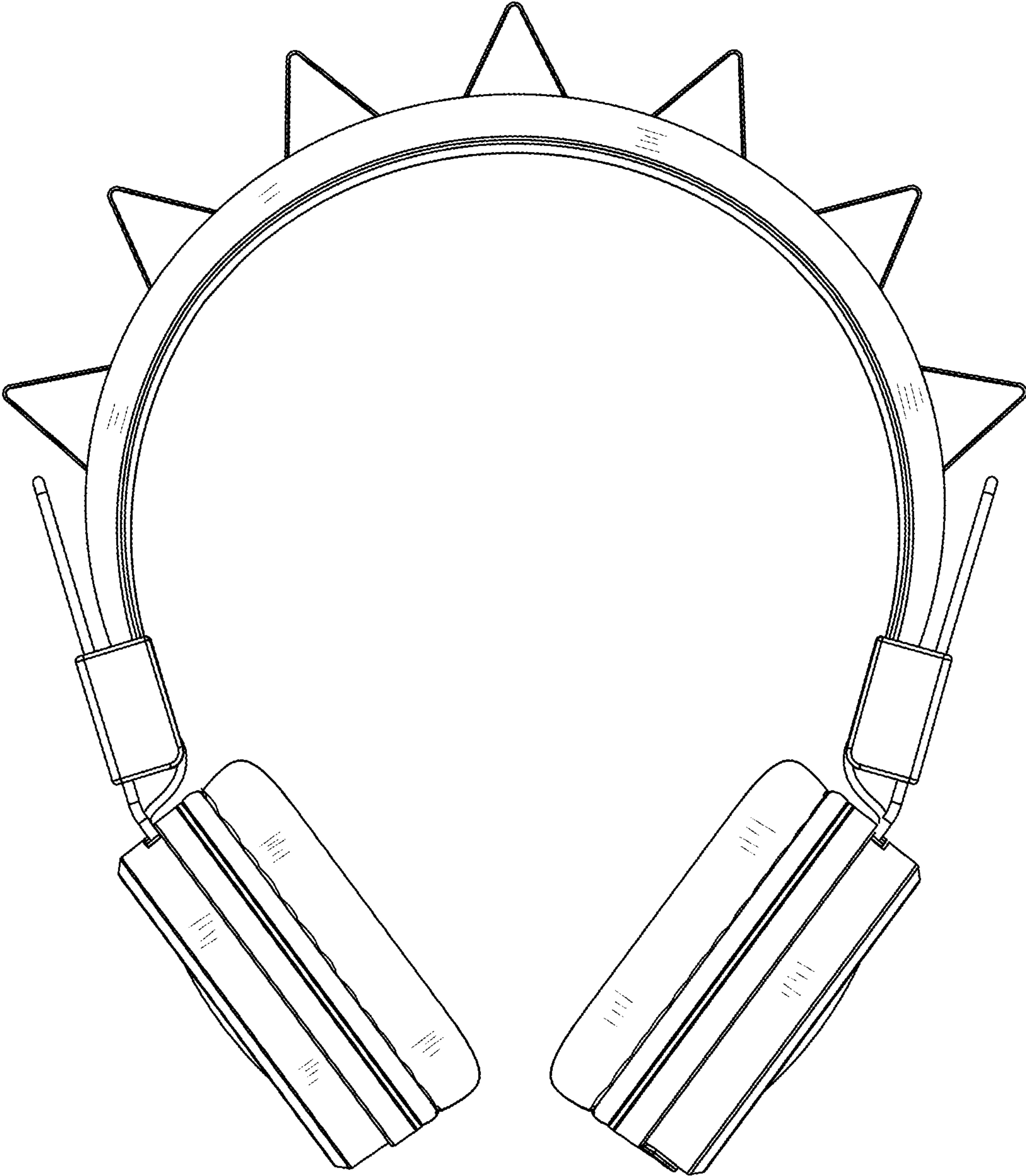


FIG.2

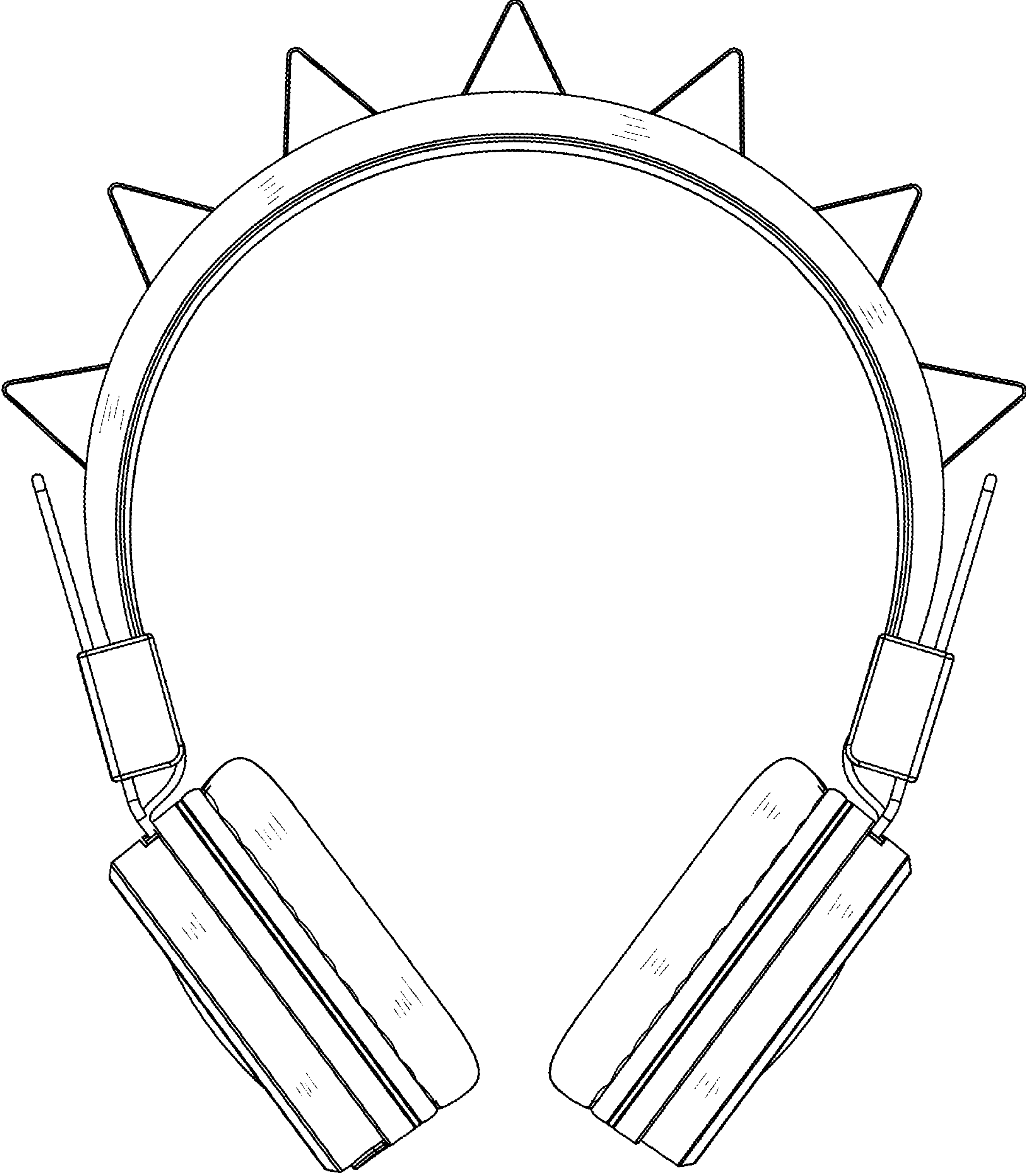


FIG.3

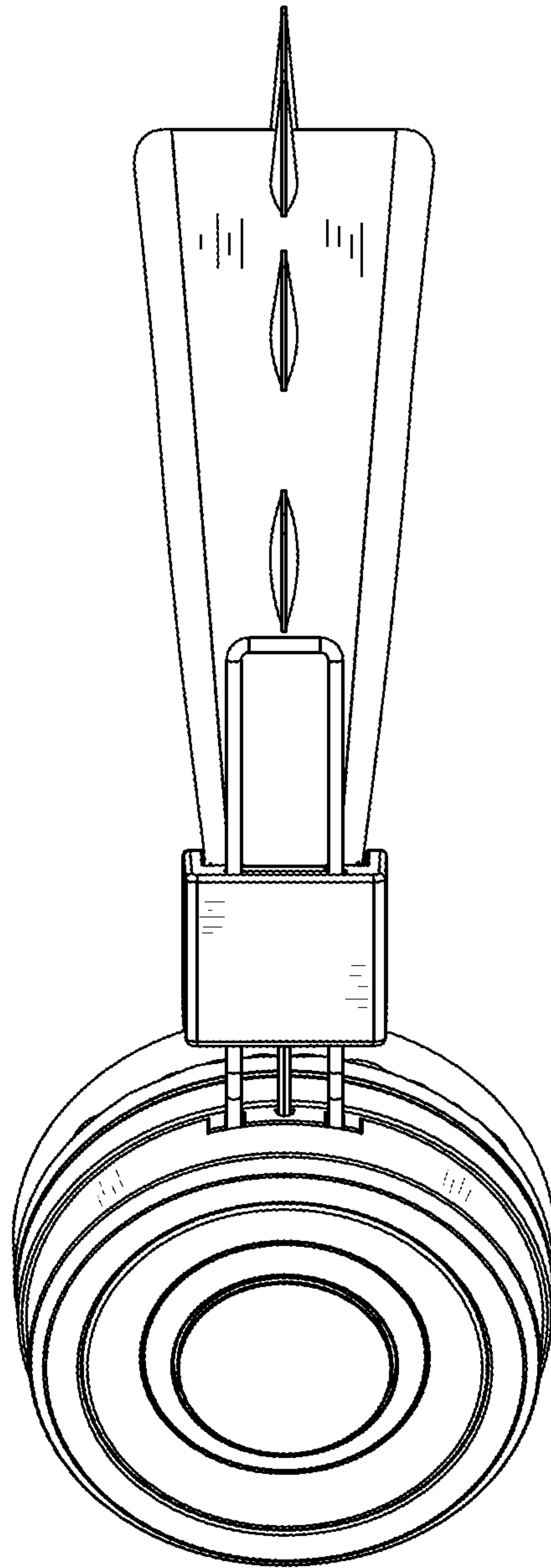


FIG.4

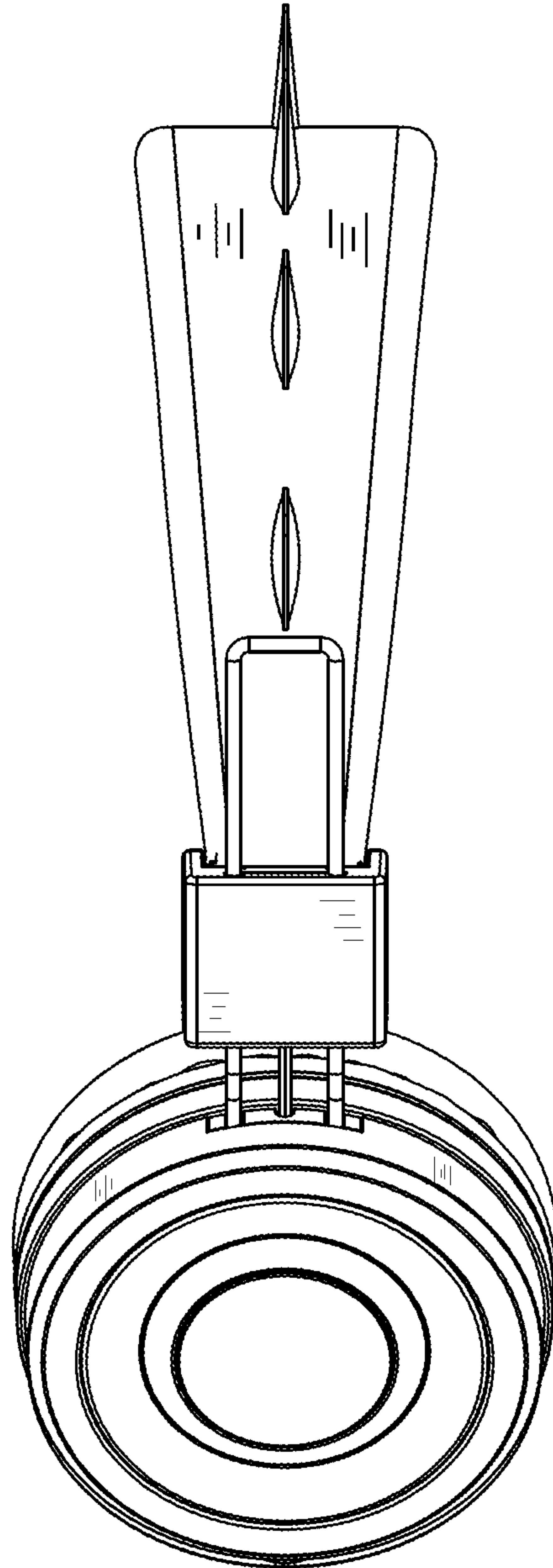


FIG.5

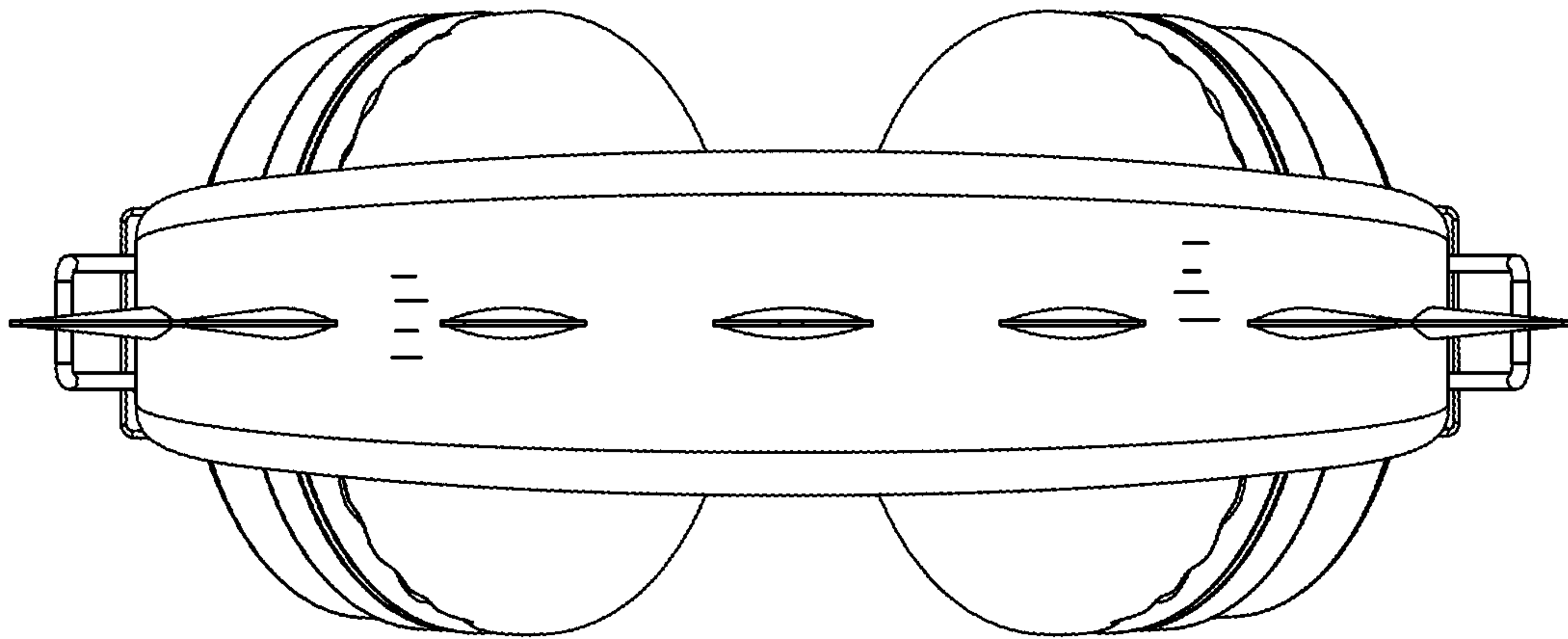


FIG.6



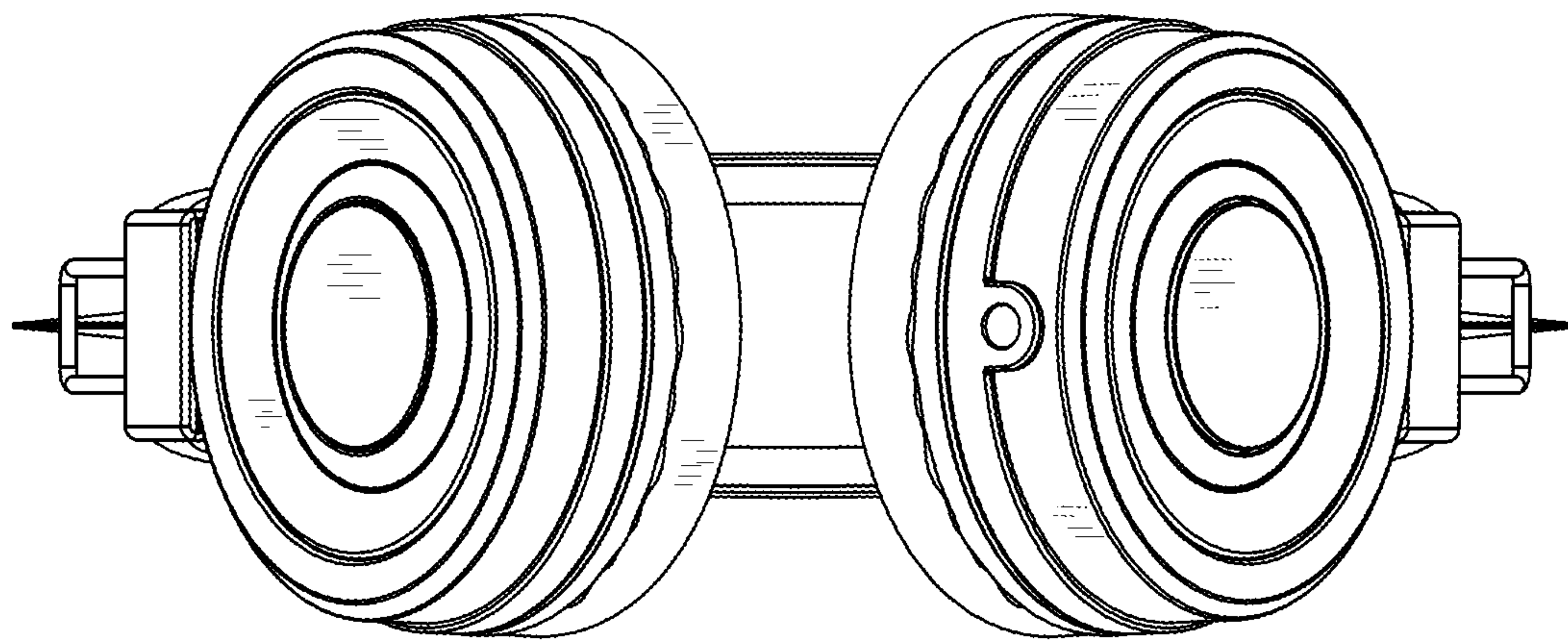


FIG.7