



US00D981365S

(12) **United States Design Patent**
Rois

(10) **Patent No.:** **US D981,365 S**
(45) **Date of Patent:** **** Mar. 21, 2023**

(54) **AUDIO HEADPHONES**

(71) Applicant: **Stephen John Rois**, St. Louis, MO
(US)

(72) Inventor: **Stephen John Rois**, St. Louis, MO
(US)

(**) Term: **15 Years**

(21) Appl. No.: **29/841,828**

(22) Filed: **Jun. 8, 2022**

Related U.S. Application Data

(62) Division of application No. 29/828,629, filed on Feb. 28, 2022, now Pat. No. Des. 960,125, which is a division of application No. 29/807,530, filed on Sep. 13, 2021, now Pat. No. Des. 945,981, which is a division of application No. 29/721,807, filed on Jan. 23, 2020, now Pat. No. Des. 933,041.

(51) **LOC (14) Cl.** **14-01**

(52) **U.S. Cl.**
USPC **D14/205**

(58) **Field of Classification Search**
USPC D14/205, 206; D29/112; 2/209;
381/380-381, 374, 378
CPC H04R 25/00; H04R 1/1066; H04R 1/1016;
H04R 1/10; H04R 5/033; H04R 5/035;
H04R 1/105; H04R 1/1083; H04R 1/1041
See application file for complete search history.

(56) **References Cited**

U.S. PATENT DOCUMENTS

3,073,410 A	1/1963	Gongoll
3,141,221 A	7/1964	Fauls, Jr.
3,220,505 A	11/1965	Hargrave
D215,375 S	9/1969	Doggert
D227,742 S	7/1973	Logsdon
4,133,053 A	1/1979	Lundin
4,385,209 A	5/1983	Greason
4,523,661 A	6/1985	Scalzo

D300,528 S	4/1989	Drane
4,856,118 A	8/1989	Sapiejewski
4,905,322 A	3/1990	Aileo
5,018,599 A	5/1991	Dohi
5,020,163 A	6/1991	Aileo
5,068,923 A	12/1991	Sjoqvist
5,144,678 A	9/1992	Lenz

(Continued)

FOREIGN PATENT DOCUMENTS

EM 0080233450002 6/2020

OTHER PUBLICATIONS

U.S. Appl. No. 29/721,807, filed Jan. 23, 2020.
U.S. Appl. No. 29/828,629, filed Feb. 28, 2022.
U.S. Appl. No. 29/807,530, filed Sep. 13, 2021.

Primary Examiner — Paula Allen Greene
(74) *Attorney, Agent, or Firm* — Harness, Dickey & Pierce, P.L.C.; Anthony G. Fussner

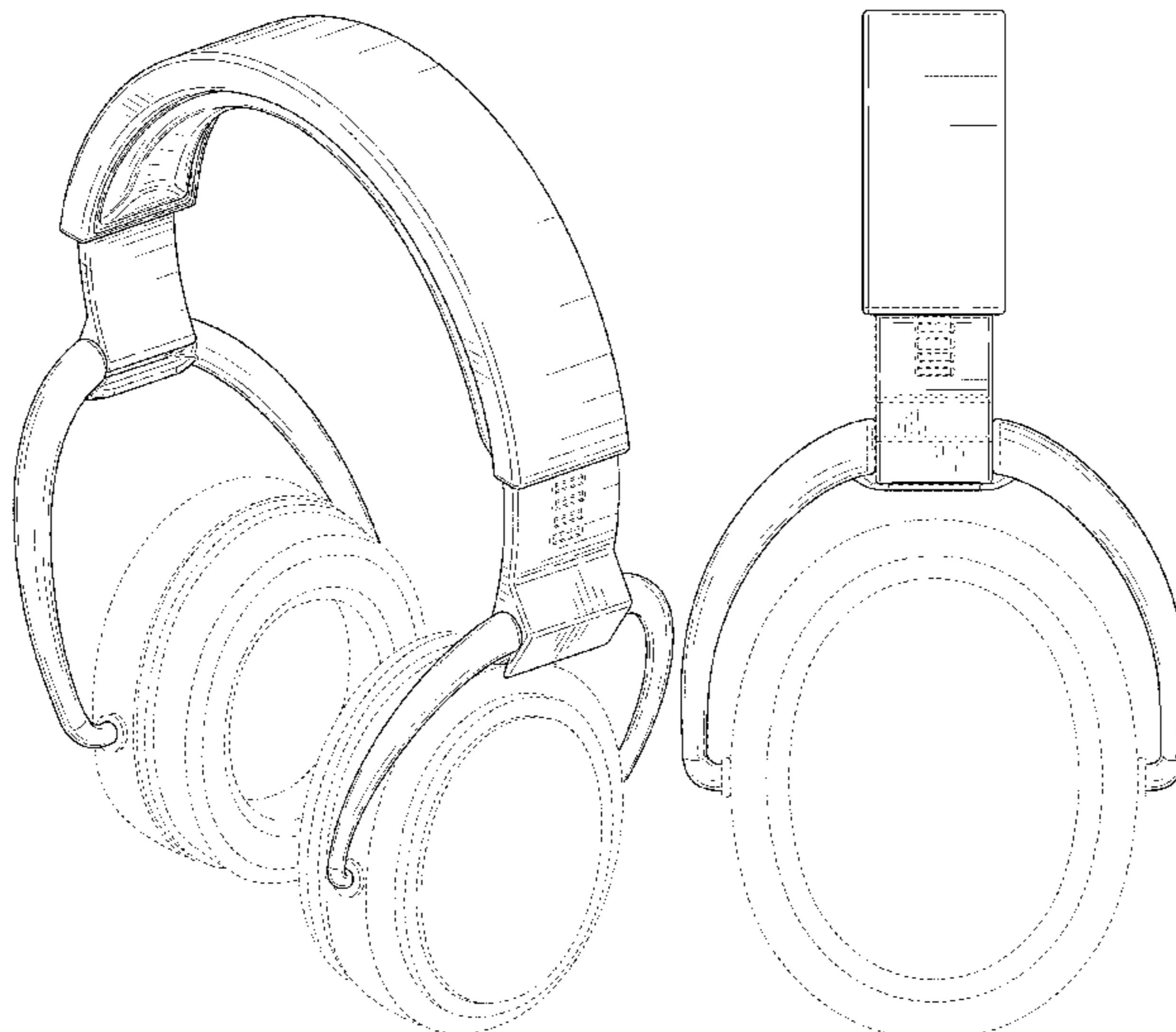
(57) **CLAIM**

The ornamental design for audio headphones, as shown and described.

DESCRIPTION

FIG. 1 is a perspective view of audio headphones, showing my new design;
FIG. 2 is a perspective view thereof;
FIG. 3 is a perspective view thereof;
FIG. 4 is a perspective view thereof;
FIG. 5 is a front view thereof;
FIG. 6 is a back view thereof;
FIG. 7 is a right side view thereof;
FIG. 8 is a left side view thereof;
FIG. 9 is a top view thereof; and,
FIG. 10 is a bottom view thereof.
In the drawings, the broken lines depict portions of the audio headphones that form no part of the claimed design.

1 Claim, 10 Drawing Sheets



(56)

References Cited

U.S. PATENT DOCUMENTS

5,500,958 A 3/1996 Falco
 D374,658 S 10/1996 Bever et al.
 D375,584 S 11/1996 Westerdal
 5,666,702 A 9/1997 Ming-Chieh
 D385,665 S 10/1997 Westerdal
 5,812,680 A 9/1998 Glendon
 D407,985 S 4/1999 Pimentel
 D409,114 S * 5/1999 Bortner D11/216
 5,996,123 A 12/1999 Leight
 D463,784 S 10/2002 Taylor
 D464,469 S 10/2002 Dix
 D465,616 S 11/2002 Nilsson
 6,856,690 B1 2/2005 Skulley
 D505,411 S 5/2005 Sakai
 D512,417 S 12/2005 Hirakawa
 D541,485 S 4/2007 Birgersson
 D544,650 S 6/2007 Westerdal
 D549,217 S 8/2007 Viduya
 7,356,362 B2 4/2008 Chang et al.
 7,388,960 B2 6/2008 Kuo
 D573,581 S 7/2008 Gondo
 D581,394 S 11/2008 Lee
 D588,098 S 3/2009 Kurihara
 D603,370 S 11/2009 Suzuki
 D605,629 S 12/2009 Suwalski
 D616,419 S 5/2010 Suwalski
 7,853,034 B1 12/2010 Gresko
 D634,732 S 3/2011 Kondo
 D639,775 S 6/2011 Horibe
 D639,776 S 6/2011 Arimoto
 D642,554 S * 8/2011 Schaal D14/205
 D648,706 S 11/2011 Gresko et al.
 D649,956 S 12/2011 Gresko et al.
 D651,764 S 1/2012 Gresko et al.
 D657,776 S 4/2012 Lee
 D663,286 S * 7/2012 Morisawa D14/205
 8,358,799 B1 1/2013 Gresko et al.
 D708,163 S * 7/2014 Ishikura D14/205
 8,767,996 B1 7/2014 Lin
 D713,384 S 9/2014 McNamara
 D734,297 S 7/2015 Sasaki
 D735,419 S 7/2015 Rose

D737,799 S 9/2015 Carr
 D739,842 S 9/2015 Birger
 D741,290 S * 10/2015 Schaal D14/205
 D741,550 S 10/2015 Edwardsson
 9,167,340 B2 10/2015 Rois et al.
 D768,110 S 10/2016 Suzuki
 9,490,593 B2 11/2016 Rois
 D776,081 S 1/2017 Willman
 D791,101 S * 7/2017 Petersén D14/205
 D793,646 S 8/2017 Bacallao
 D794,603 S * 8/2017 Riggs D14/205
 D794,646 S 8/2017 Pelster
 D795,218 S 8/2017 Ohmachi
 D814,457 S 4/2018 Willis
 D815,065 S 4/2018 Willis
 D821,353 S 6/2018 Ohmachi
 10,187,716 B1 1/2019 England
 D846,526 S 4/2019 Spencer
 D859,353 S 9/2019 Wagner
 D859,354 S 9/2019 Xia
 D869,437 S * 12/2019 Hu D14/205
 D879,065 S * 3/2020 Chan D14/205
 D881,475 S 4/2020 Xu
 D900,057 S 10/2020 Shan
 D902,456 S 11/2020 Nordmann
 D902,496 S 11/2020 Bui
 D907,003 S * 1/2021 Liu D14/205
 D909,991 S 2/2021 Nakayama
 D925,489 S 7/2021 Brunner
 D933,041 S 10/2021 Rois
 D938,934 S 12/2021 Tsubone
 D945,981 S 3/2022 Rois
 D960,125 S 8/2022 Rois
 2005/0220318 A1 10/2005 Han
 2007/0041604 A1 2/2007 Yang
 2010/0310093 A1 * 12/2010 Semcken H04R 1/1058
 381/104
 2012/0140973 A1 6/2012 Olodort
 2014/0112519 A1 4/2014 Chen
 2014/0205129 A1 7/2014 Blair
 2017/0230746 A1 8/2017 Silvestri
 2019/0373353 A1 12/2019 Yuen
 2020/0030151 A1 1/2020 Hemberg

* cited by examiner

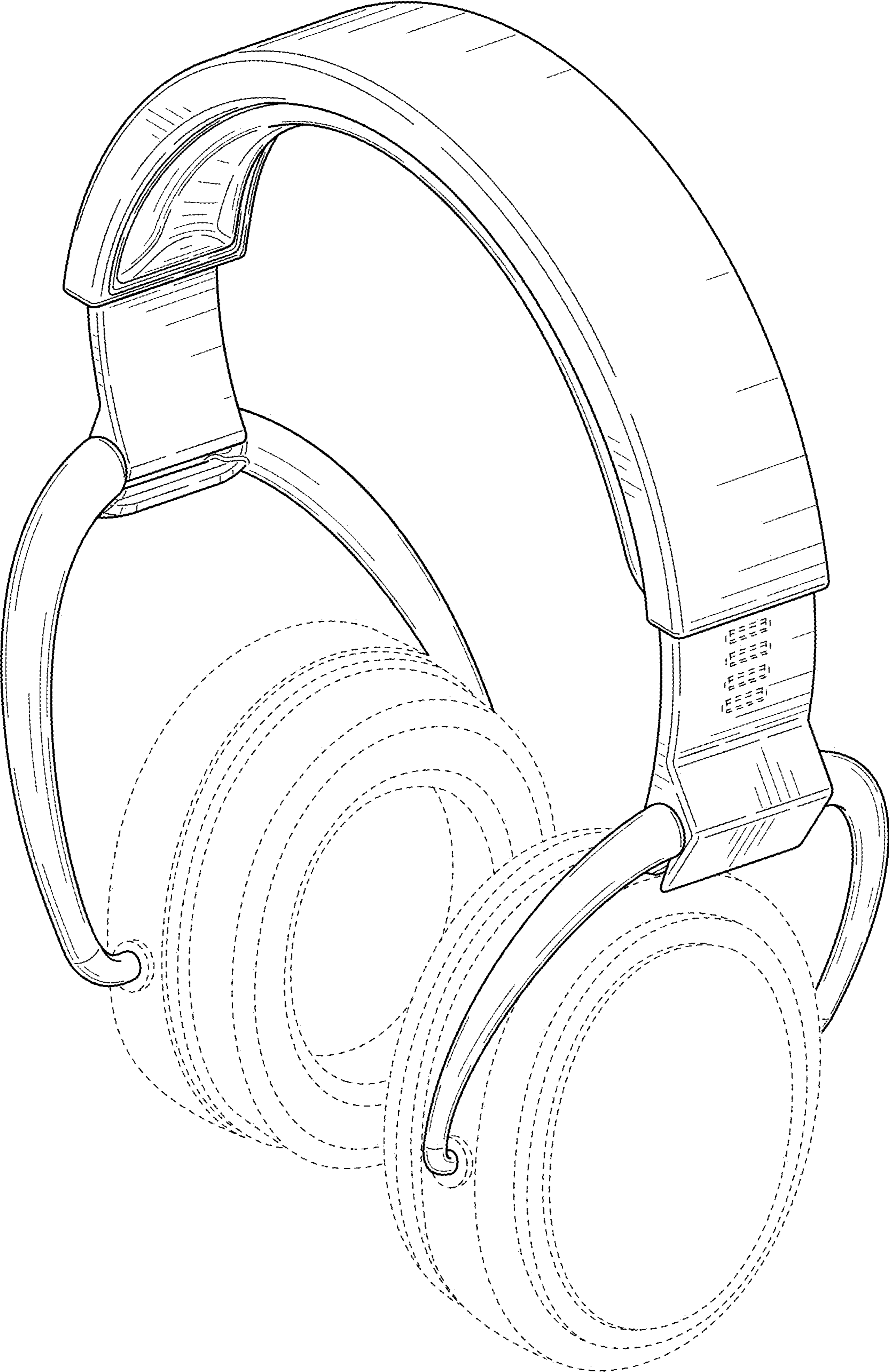


FIG. 1

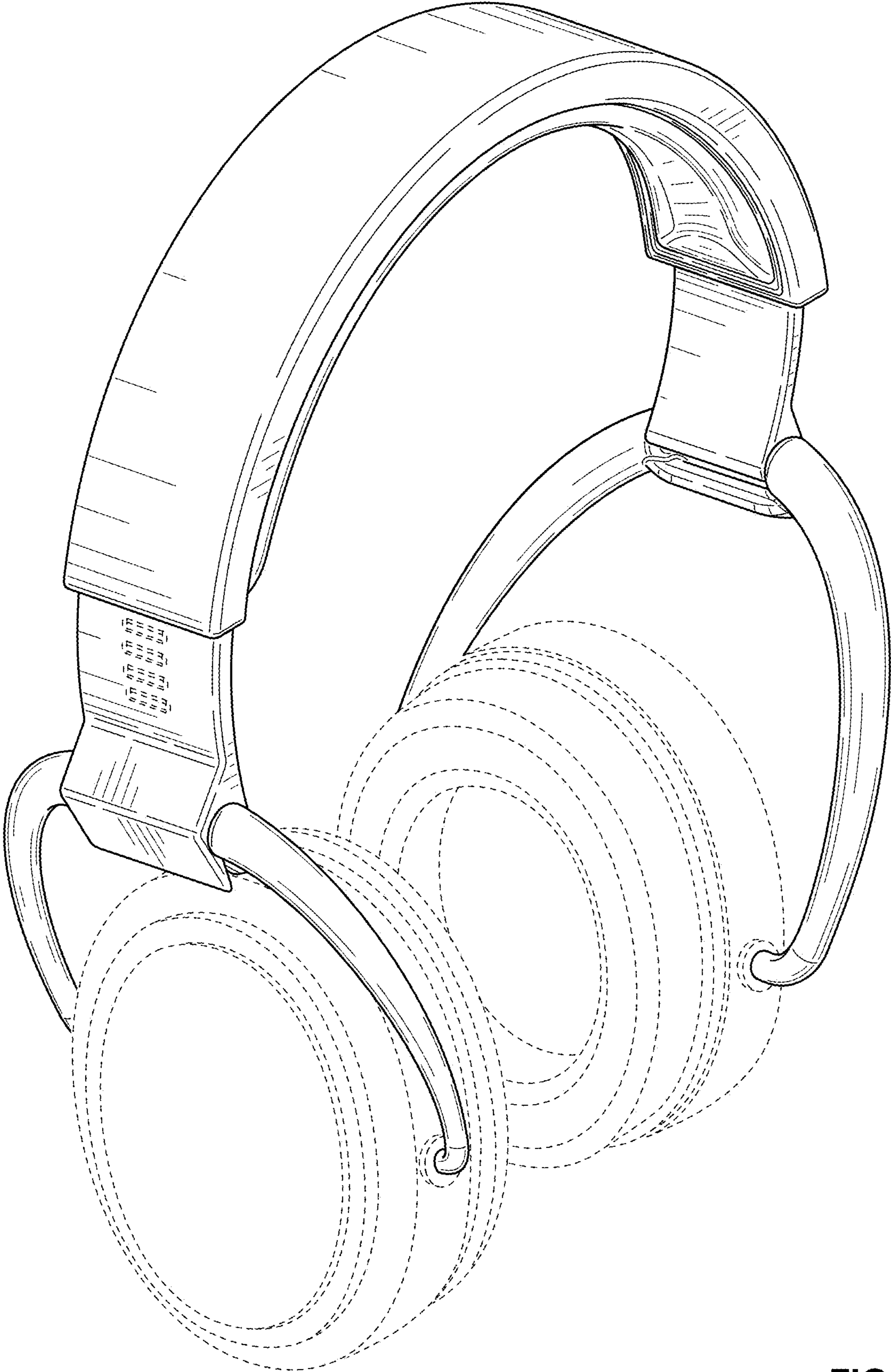


FIG. 2

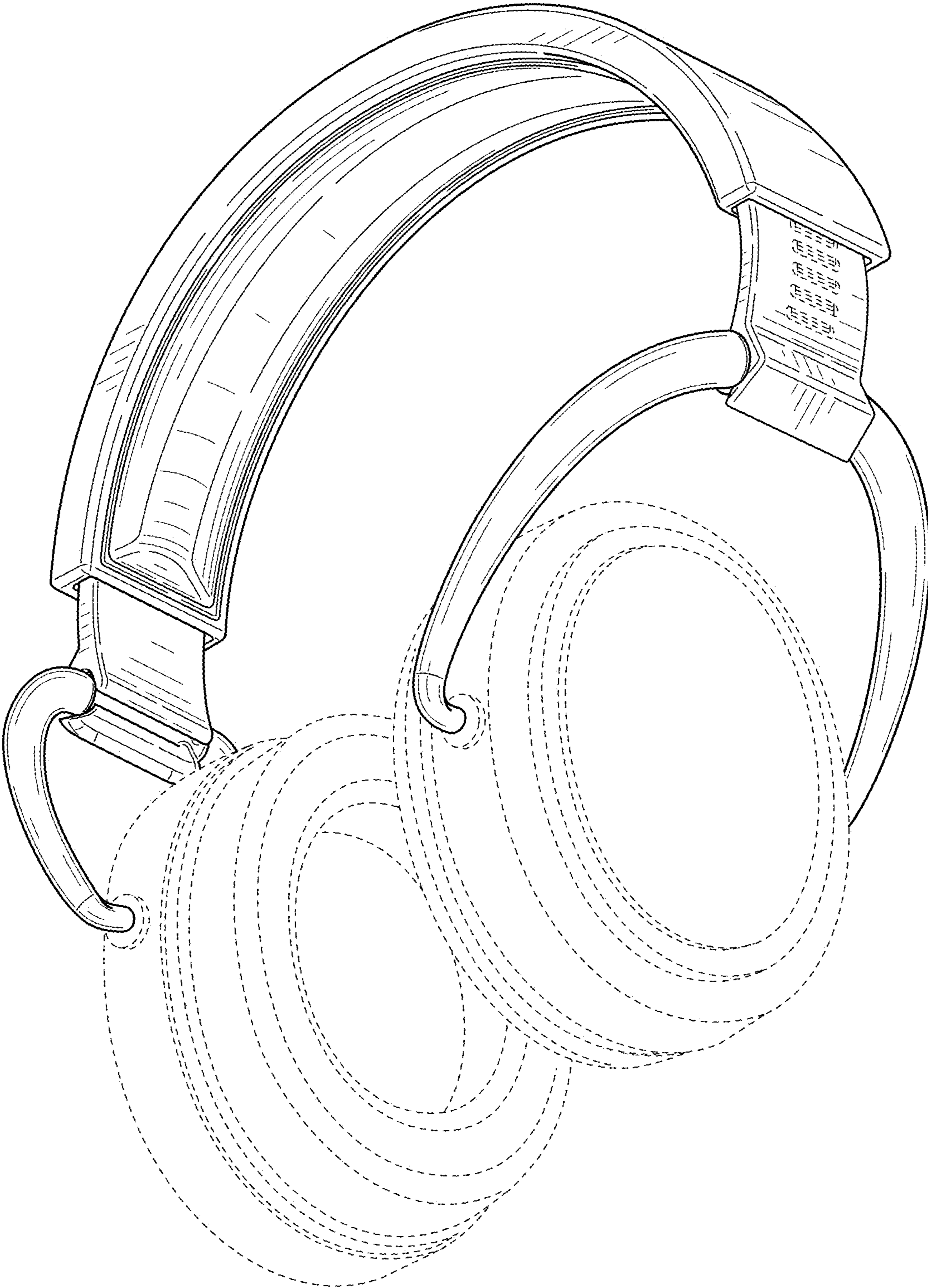


FIG. 3

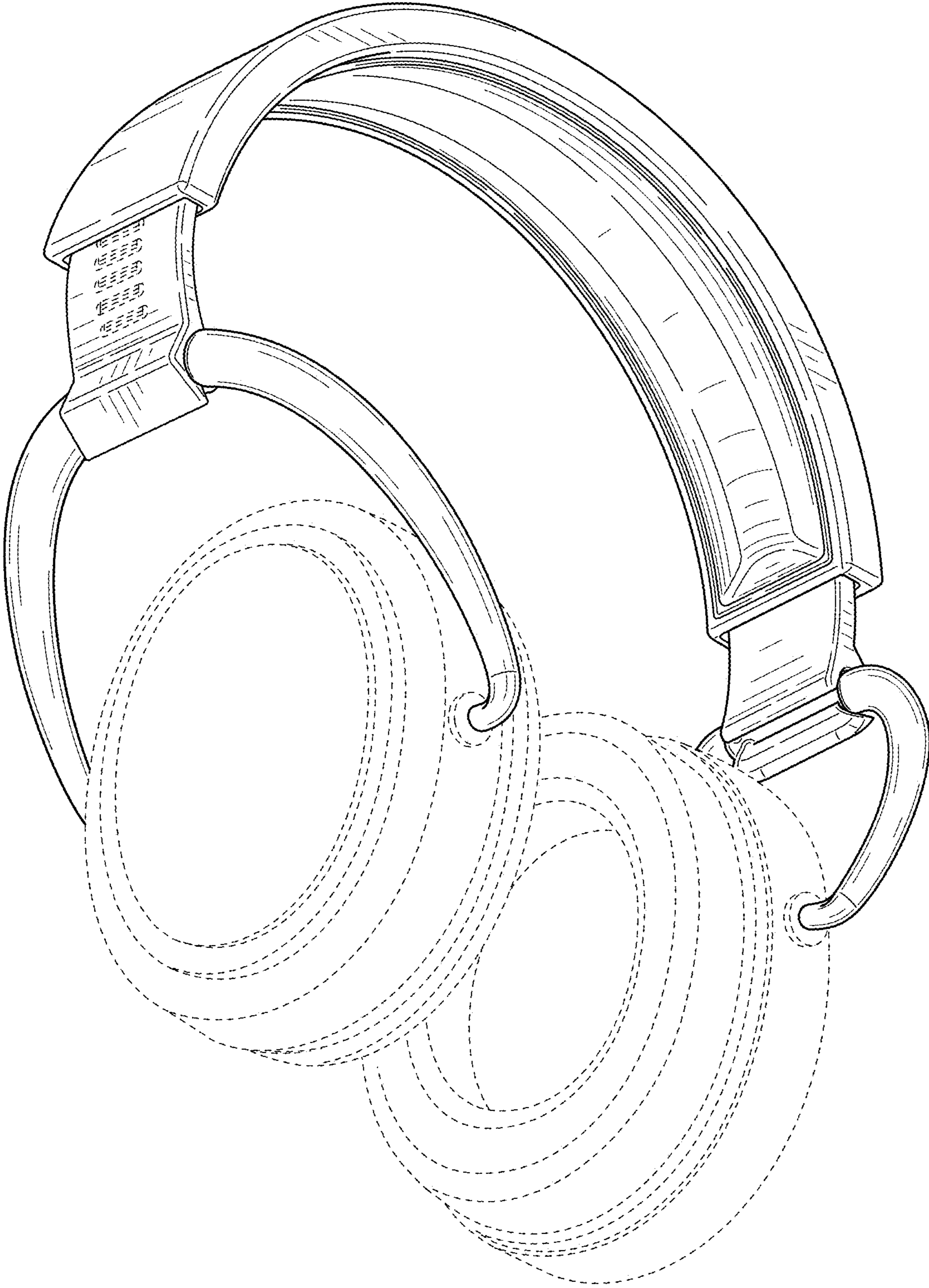


FIG. 4

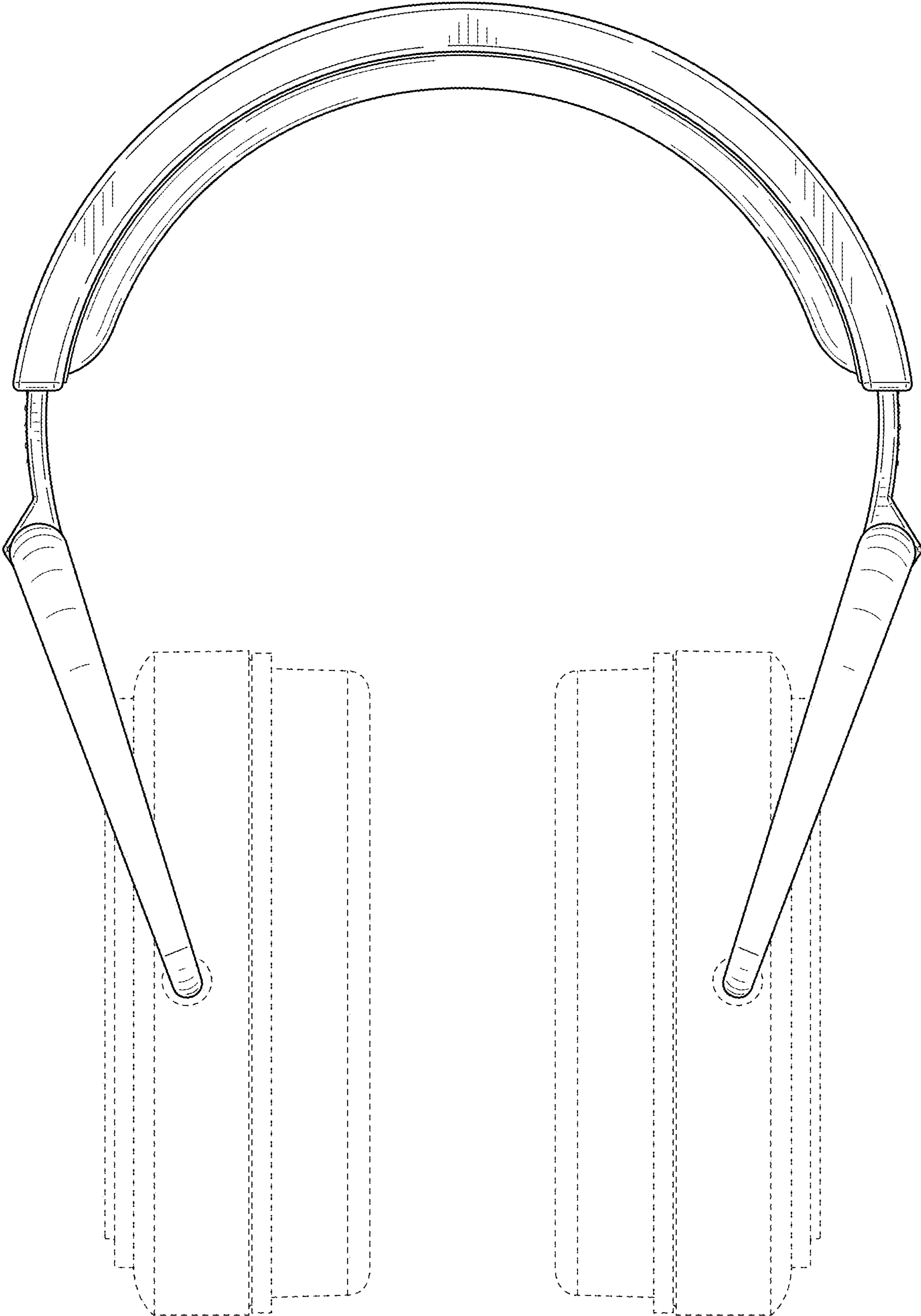


FIG. 5

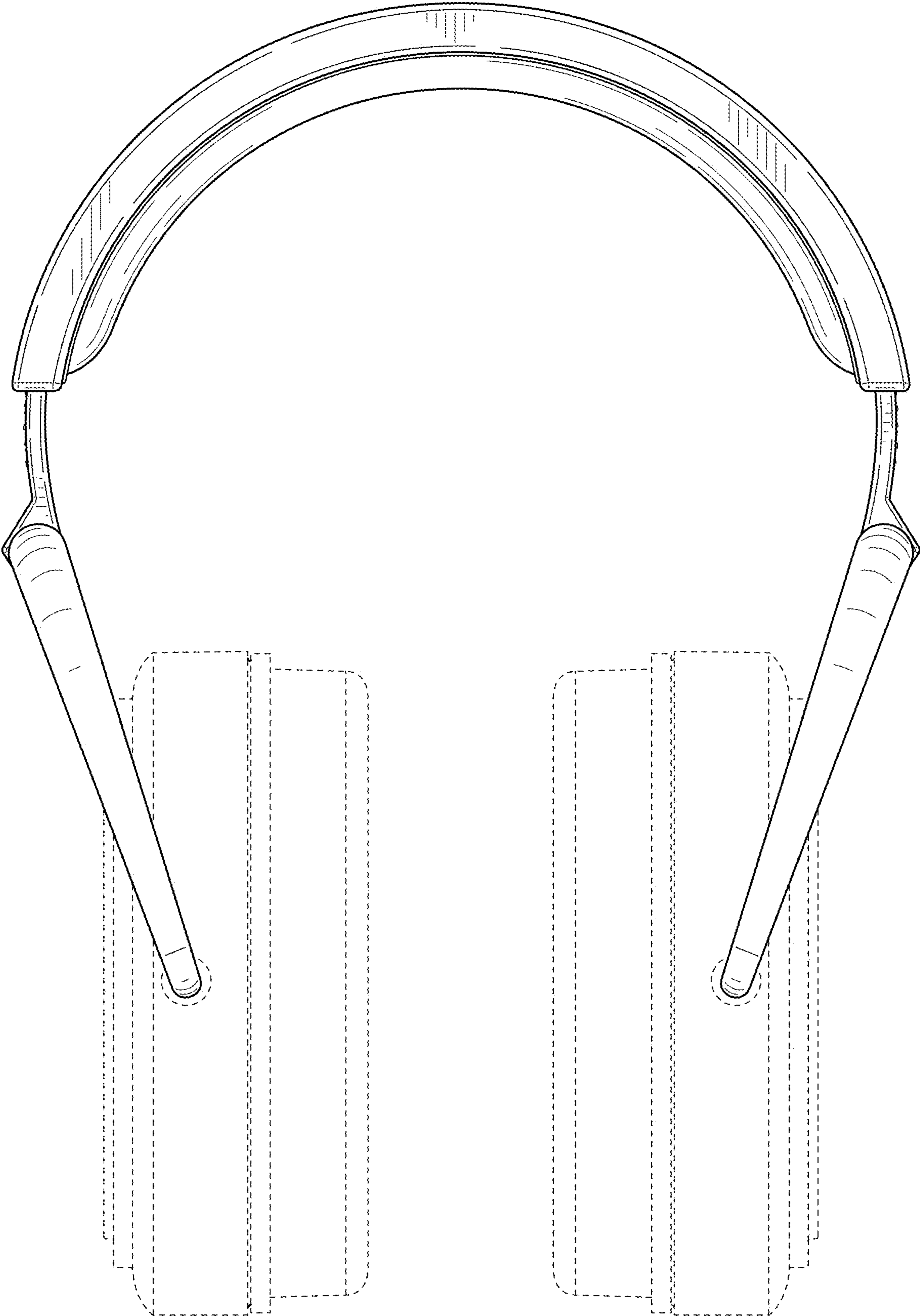


FIG. 6

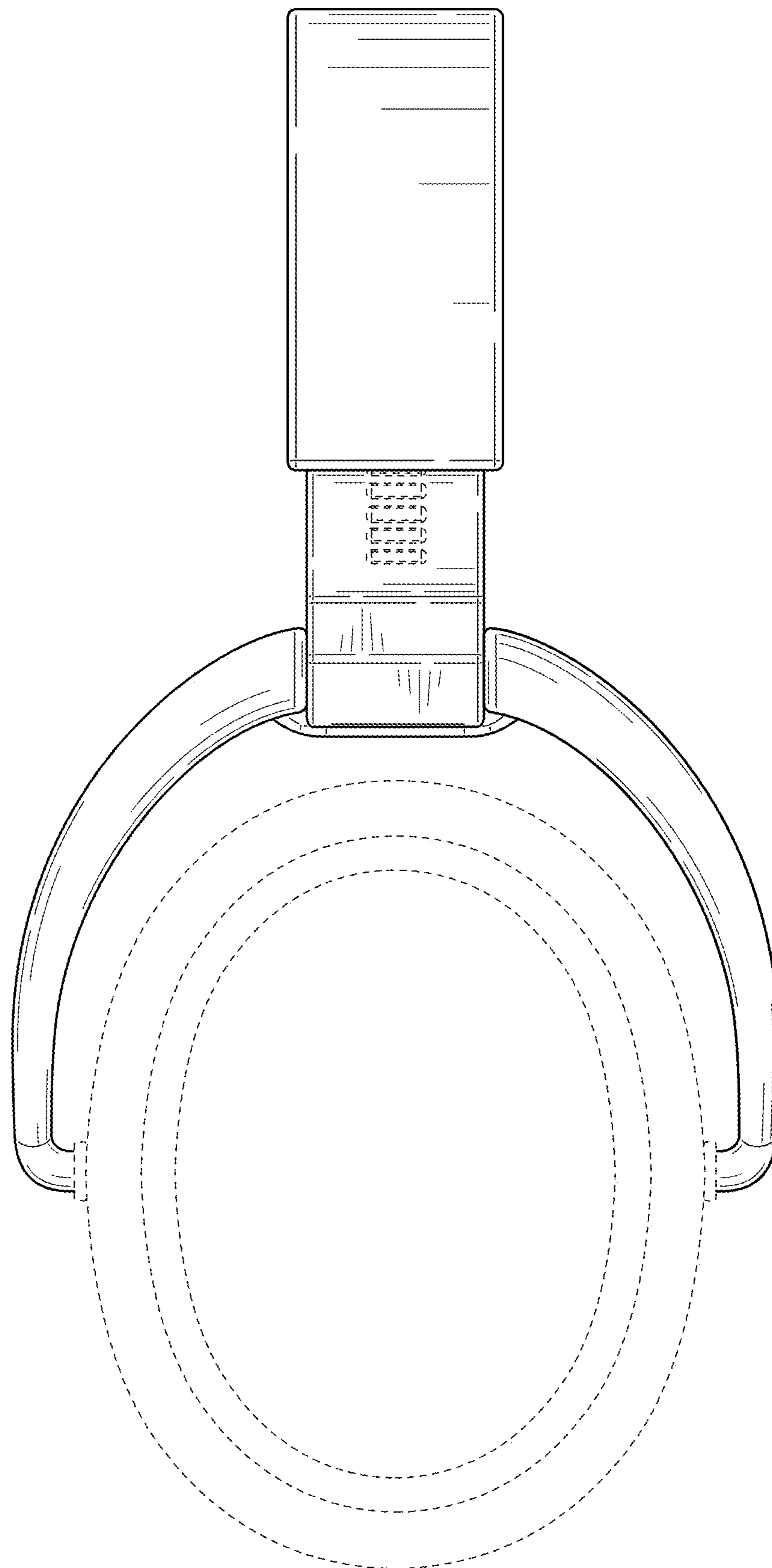


FIG. 7

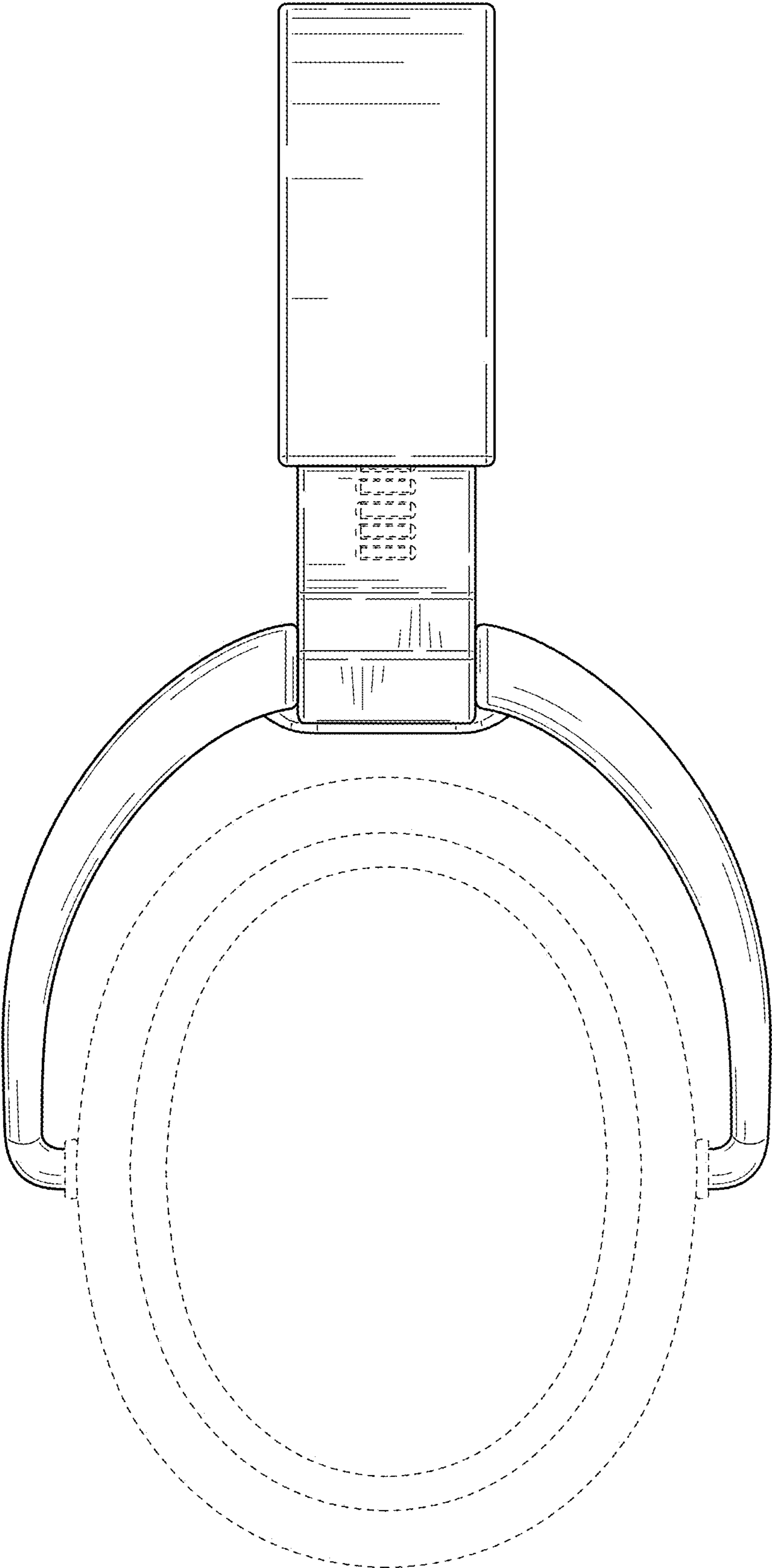


FIG. 8

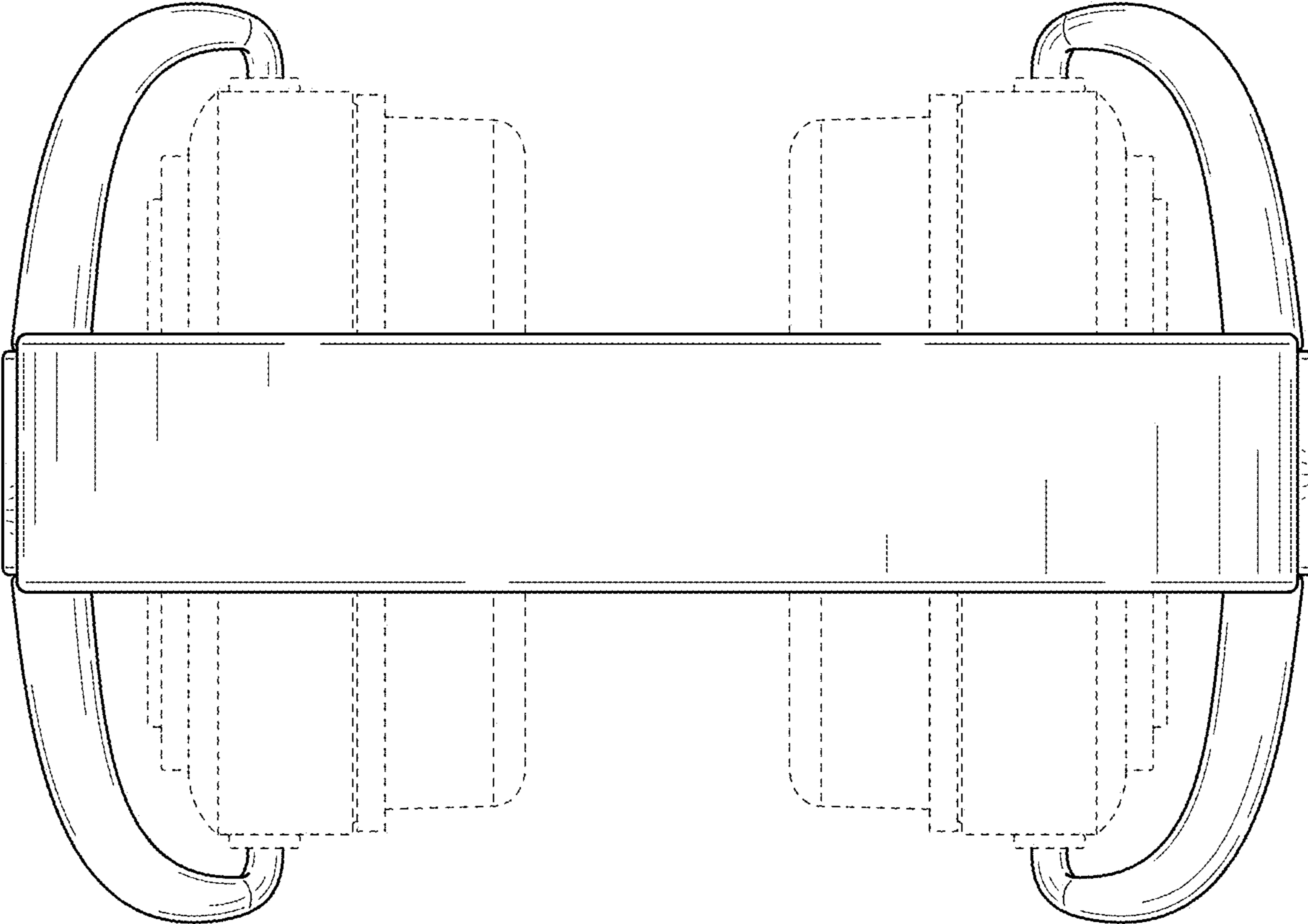


FIG. 9

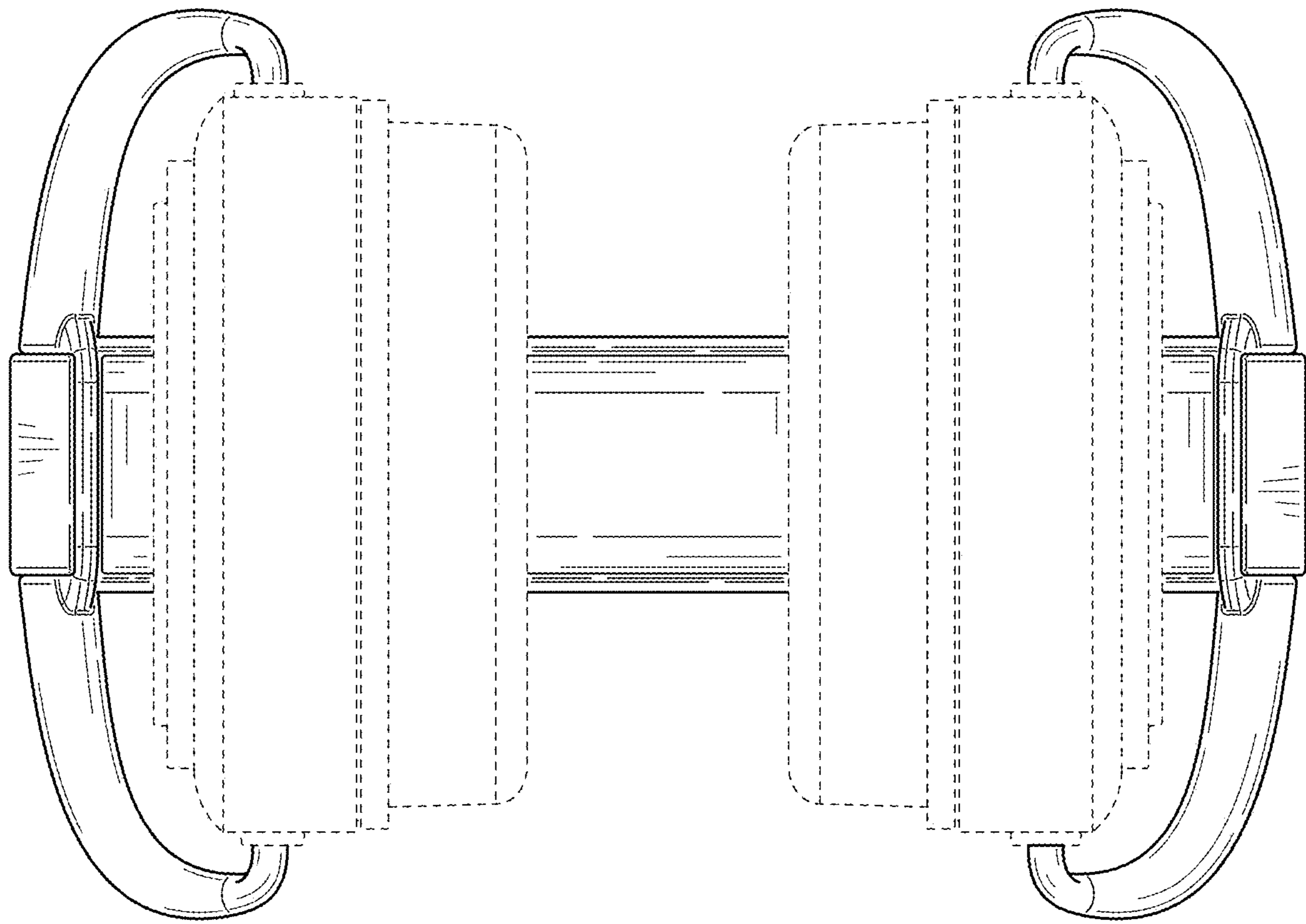


FIG. 10