



US00D981363S

(12) **United States Design Patent**
Yook et al.

(10) **Patent No.:** **US D981,363 S**
(45) **Date of Patent:** **** Mar. 21, 2023**

(54) **HEADSET**

(71) Applicant: **Microsoft Corporation**, Redmond, WA (US)

(72) Inventors: **Jinwon Yook**, Shenzhen (CN); **Huaian Cheng**, Shenzhen (CN); **Simon Cameron Dearsley**, Bellevue, WA (US)

(73) Assignee: **Microsoft Corporation**, Redmond, WA (US)

(**) Term: **15 Years**

(21) Appl. No.: **29/778,390**

(22) Filed: **Apr. 13, 2021**

(51) **LOC (14) Cl.** **14-01**

(52) **U.S. Cl.**
USPC **D14/205**

(58) **Field of Classification Search**
USPC D14/205, 206, 225, 218, 434, 435.1;
D29/112; 2/209; D13/168;
381/380-381, 382
CPC H04R 25/00; H04R 25/02; H04R 1/10;
H04R 1/1033; H04R 1/1066; H04R
1/1016; H04R 5/033; H04R 5/0335;
H04R 11/04; H04R 19/04; H04R 1/1091
See application file for complete search history.

(56) **References Cited**

U.S. PATENT DOCUMENTS

4,499,593 A * 2/1985 Antle H04R 1/1066
381/378
5,369,857 A * 12/1994 Sacherman H04R 5/0335
379/430
D504,419 S * 4/2005 Bey D14/223
D504,887 S * 5/2005 Skulley D14/223
D505,413 S * 5/2005 Skulley D14/223
D518,479 S * 4/2006 Skulley D14/225
D519,990 S * 5/2006 Lazor D14/229
D529,900 S * 10/2006 Skulley D14/223

D535,980 S * 1/2007 Bentley D14/225
D537,815 S * 3/2007 Bentley D14/206
D539,267 S * 3/2007 Komiyama D14/205
7,190,330 B2 * 3/2007 Travers G02B 27/0176
345/7
D539,788 S * 4/2007 Thompson D14/225
D540,303 S * 4/2007 Rausch D14/205
D540,313 S * 4/2007 Rausch D14/225
D541,256 S * 4/2007 Rausch D14/205

(Continued)

FOREIGN PATENT DOCUMENTS

CN 305988967 * 8/2020

OTHER PUBLICATIONS

“Office Action Issued in Indian Patent Application No. 351557-001”, dated Nov. 25, 2021, 2 Pages.

(Continued)

Primary Examiner — Paula Allen Greene

(74) *Attorney, Agent, or Firm* — Banner & Witcoff, Ltd.

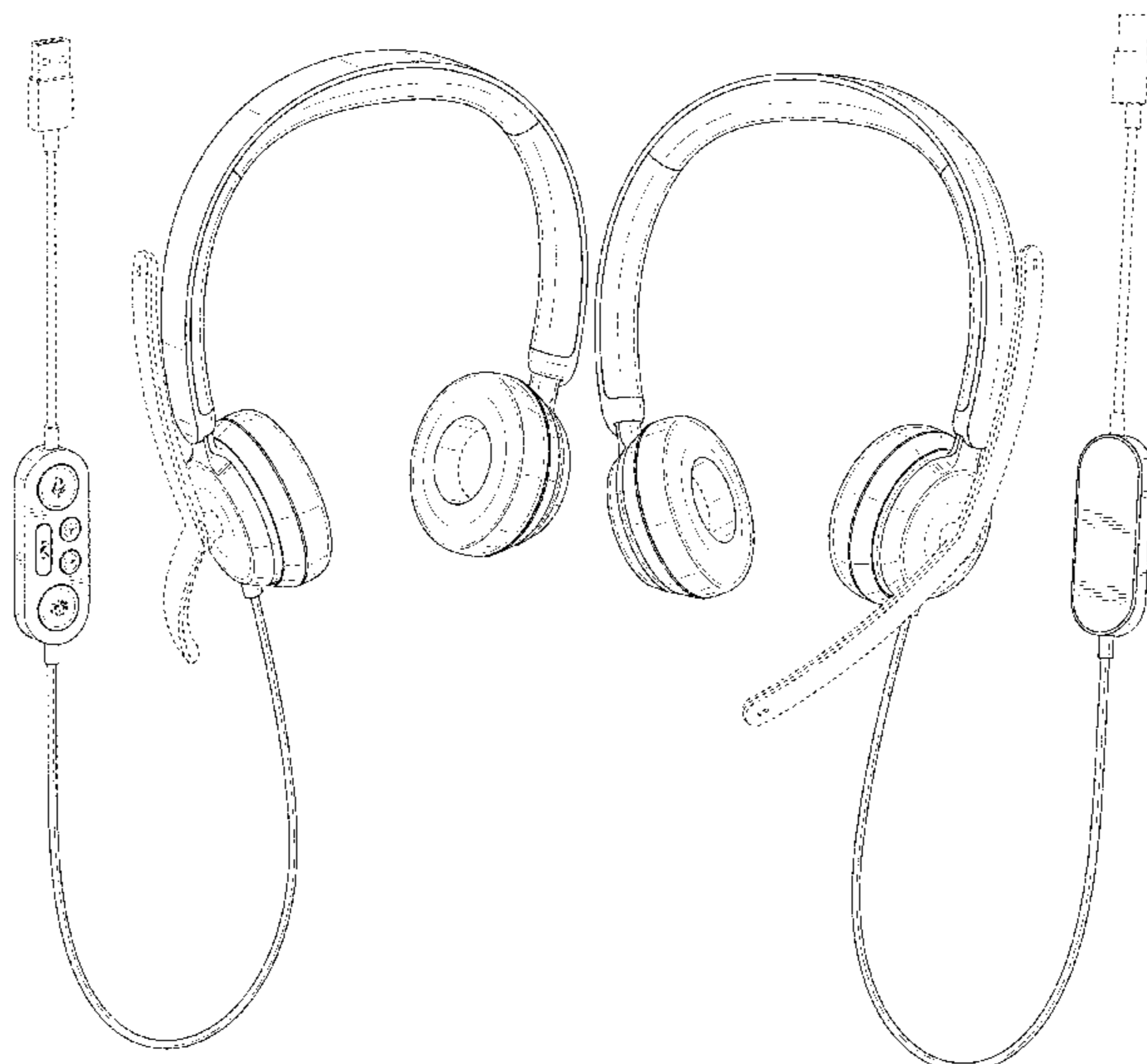
(57) **CLAIM**

The ornamental design for a headset, as shown and described.

DESCRIPTION

FIG. 1 is a front perspective view of a headset showing our new design;
FIG. 2 is a rear perspective view thereof;
FIG. 3 is a front view thereof;
FIG. 4 is a rear view thereof;
FIG. 5 is a right side view thereof;
FIG. 6 is a left side view thereof;
FIG. 7 is a top view thereof; and,
FIG. 8 is a bottom view thereof.
The broken lines depict portions of the headset in FIGS. 1-8 that form no part of the claimed design.

1 Claim, 6 Drawing Sheets



(56)

References Cited

U.S. PATENT DOCUMENTS

D588,100 S * 3/2009 Densho D14/205
 D602,001 S * 10/2009 Bentley D14/206
 D602,908 S * 10/2009 Ham D14/206
 D603,371 S * 11/2009 Boateng D14/205
 D617,781 S * 6/2010 Kallas D14/229
 D625,705 S * 10/2010 Ohori D14/223
 D632,668 S * 2/2011 Brunner D14/205
 D648,330 S * 11/2011 Fischer D14/226
 D654,471 S 2/2012 Fischer
 D654,472 S * 2/2012 Fischer D14/206
 D671,505 S * 11/2012 Clark D13/168
 D681,014 S * 4/2013 Ham D14/206
 D707,655 S 6/2014 Porter
 D721,055 S 1/2015 Sparks et al.
 D722,041 S 2/2015 Sparks et al.
 D724,562 S 3/2015 Sparks et al.
 D725,630 S * 3/2015 Nakagawa D14/205
 9,031,254 B2 * 5/2015 Heise H04R 1/1066
 381/74
 D730,868 S * 6/2015 Birger D14/206
 D733,090 S * 6/2015 Petersen D14/205
 D735,161 S 7/2015 Sparks et al.
 D735,691 S 8/2015 Sparks et al.
 D743,381 S * 11/2015 Pi D14/218
 9,426,554 B2 * 8/2016 Dai H04R 1/083
 D838,687 S * 1/2019 Wu D14/205
 D843,349 S * 3/2019 Burgess D14/206
 D848,395 S * 5/2019 Kelley D14/205
 D851,627 S * 6/2019 ter Laag D14/205
 D856,303 S * 8/2019 Ando D14/205
 D857,652 S * 8/2019 Wang D14/205
 D859,353 S * 9/2019 Wagner D14/205
 D867,367 S * 11/2019 Wang D14/433
 D870,069 S * 12/2019 Hu D14/206

D875,073 S * 2/2020 Pedersen D14/206
 D877,714 S 3/2020 Dhondt et al.
 D877,715 S * 3/2020 Hu D14/205
 D878,327 S 3/2020 Dhondt et al.
 D888,008 S * 6/2020 Yook D14/205
 D893,452 S * 8/2020 Yook D14/205
 D900,789 S * 11/2020 Chen D14/218
 D916,034 S * 4/2021 Shi D14/218
 D927,458 S * 8/2021 Su D14/206
 D928,116 S * 8/2021 Su D14/206
 D940,667 S * 1/2022 Bi D14/218
 D950,520 S * 5/2022 Yan D14/206
 D951,907 S * 5/2022 Bellham D14/206
 D952,599 S * 5/2022 Bellham D14/206
 2009/0010476 A1 * 1/2009 Pan H04R 1/1033
 381/382
 2011/0044463 A1 * 2/2011 DiRusso H04R 5/0335
 381/378
 2011/0051976 A1 * 3/2011 Tsai H04R 1/1066
 381/378
 2011/0222719 A1 * 9/2011 Hagberg H04R 1/1066
 381/375
 2011/0228925 A1 * 9/2011 Birch H04R 1/1041
 379/428.02
 2013/0177195 A1 * 7/2013 Sze H04R 1/1008
 381/384
 2015/0373467 A1 * 12/2015 Gelter H04R 29/00
 381/56
 2017/0041695 A1 * 2/2017 Hernandez Vazquez
 H04R 1/105

OTHER PUBLICATIONS

"Notice of Allowance Issued in Korean Patent Application No. 30-2021-0049830", dated Aug. 2, 2022, 3 Pages.

* cited by examiner

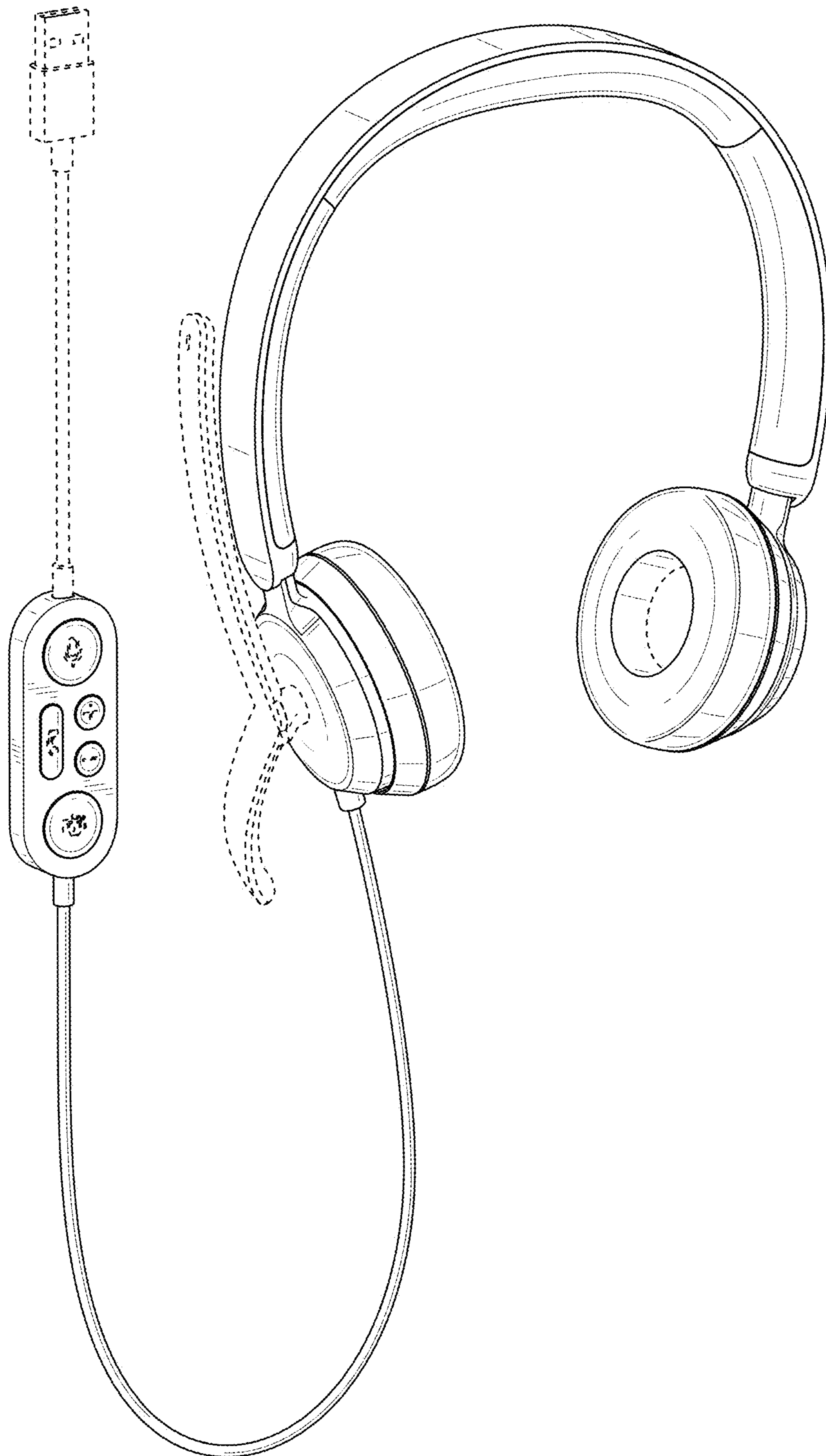


FIG. 1

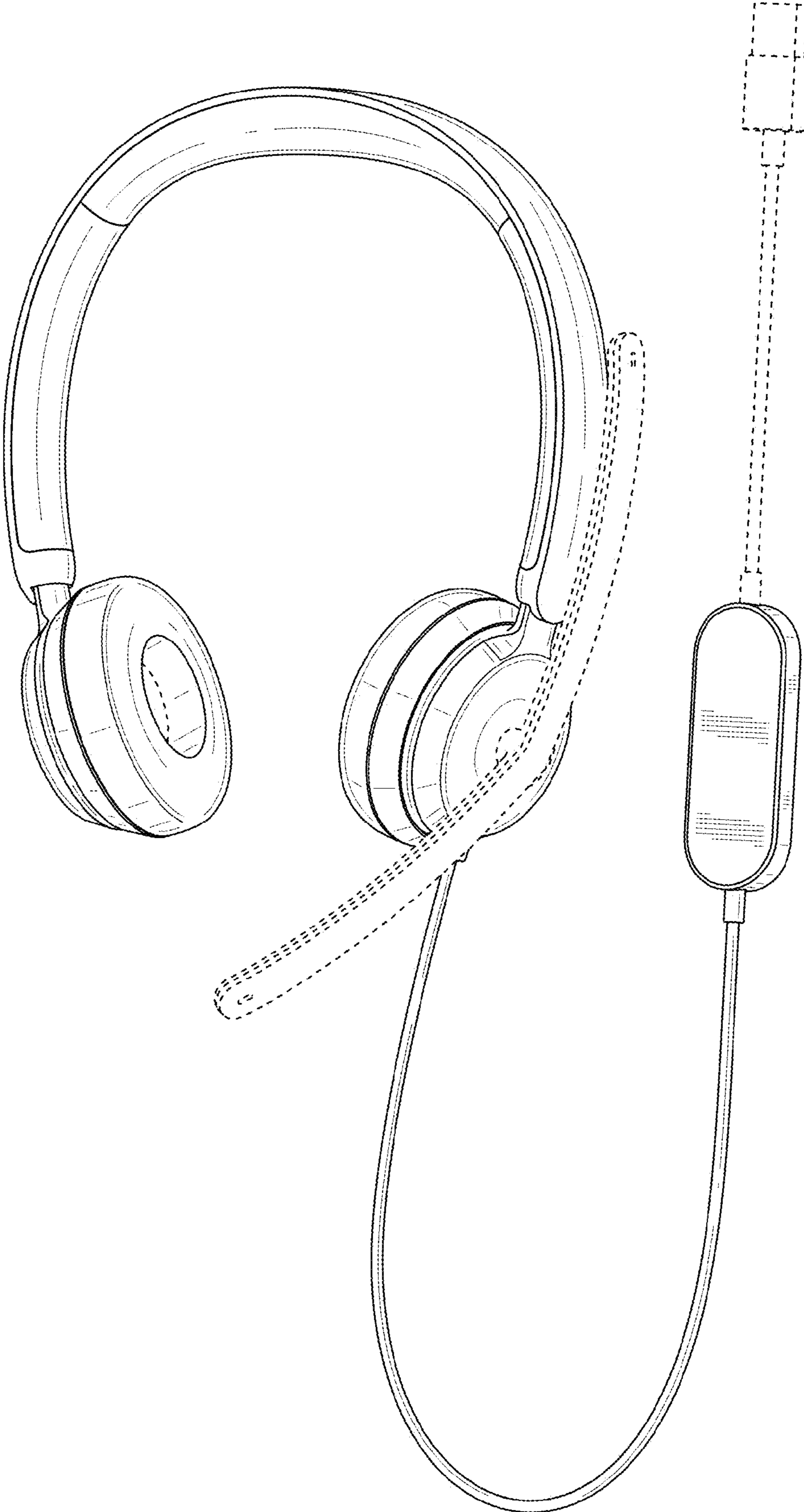


FIG. 2

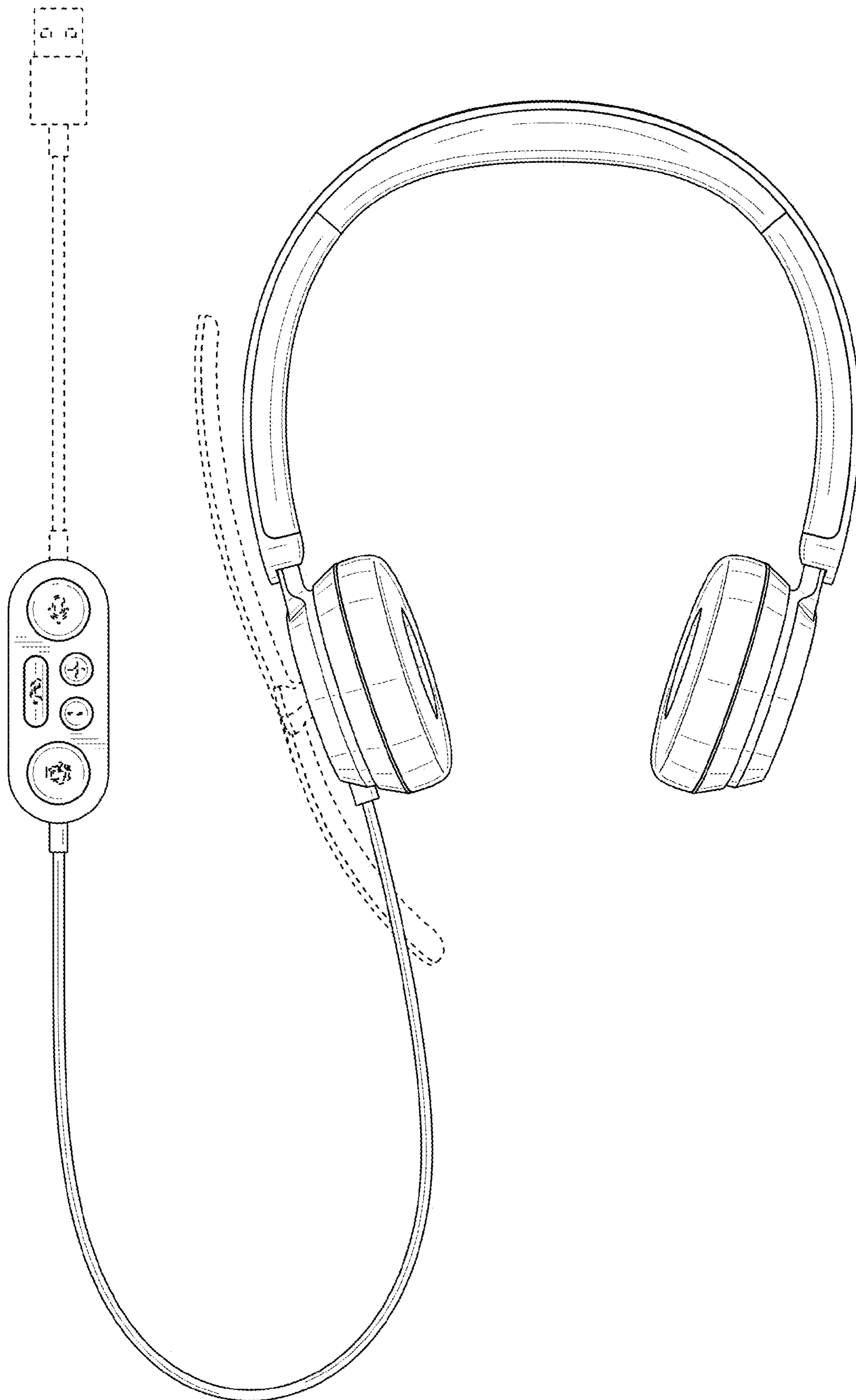


FIG. 3

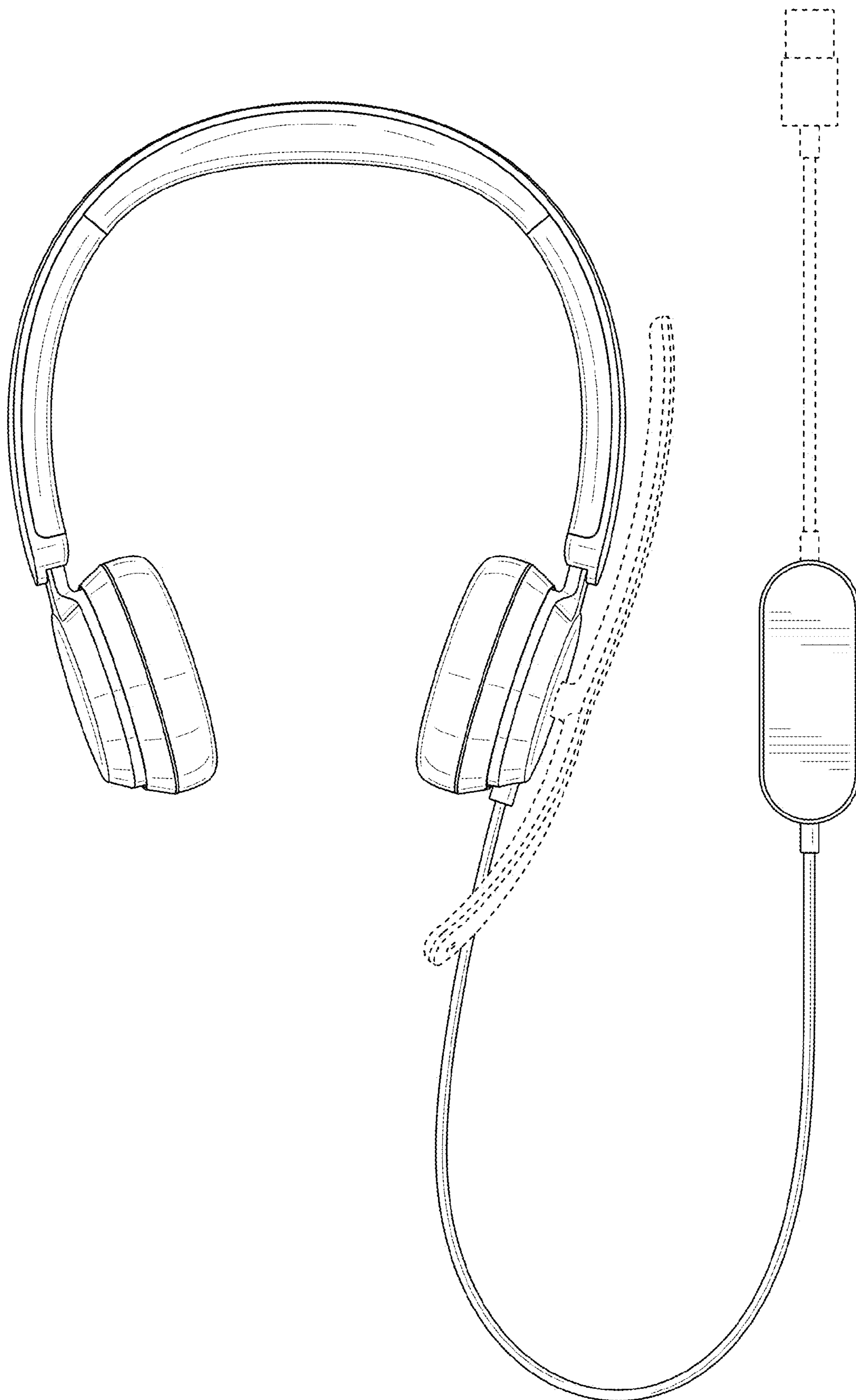


FIG. 4

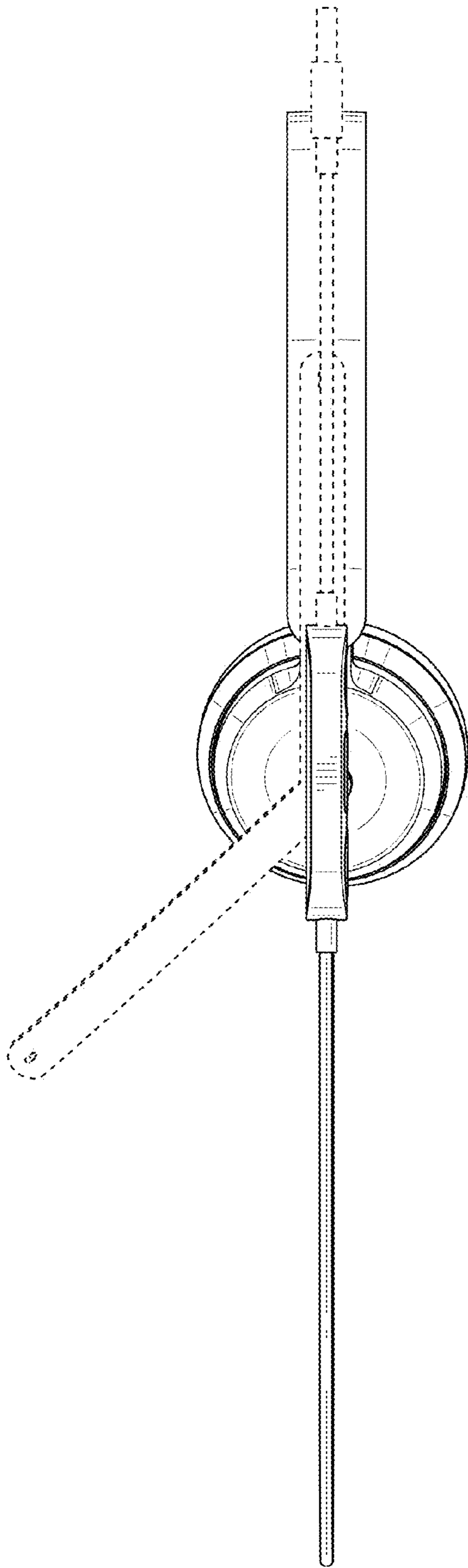


FIG. 5

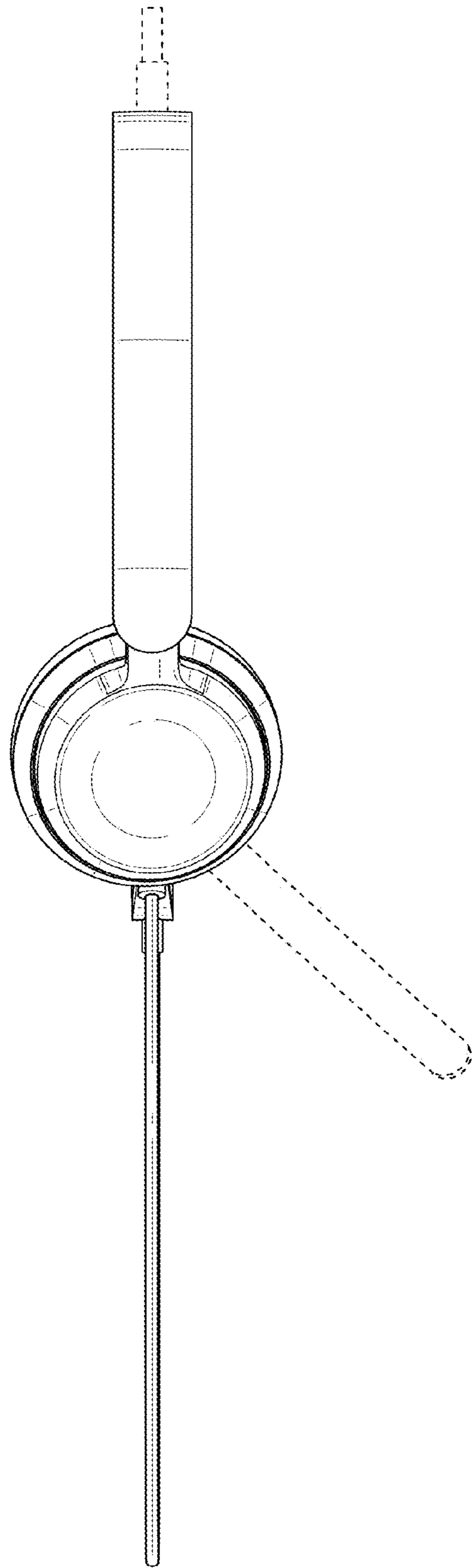


FIG. 6

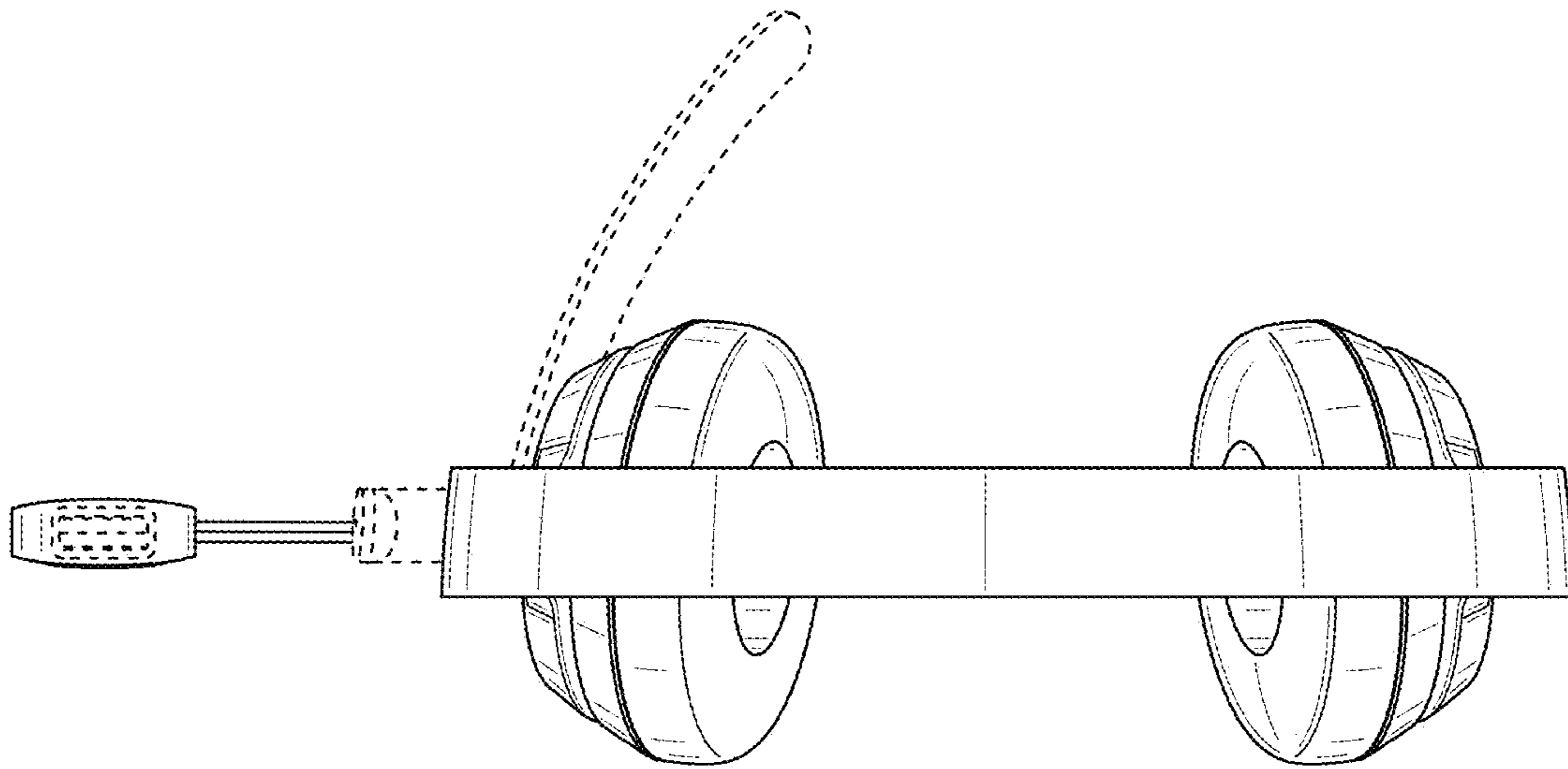


FIG. 7

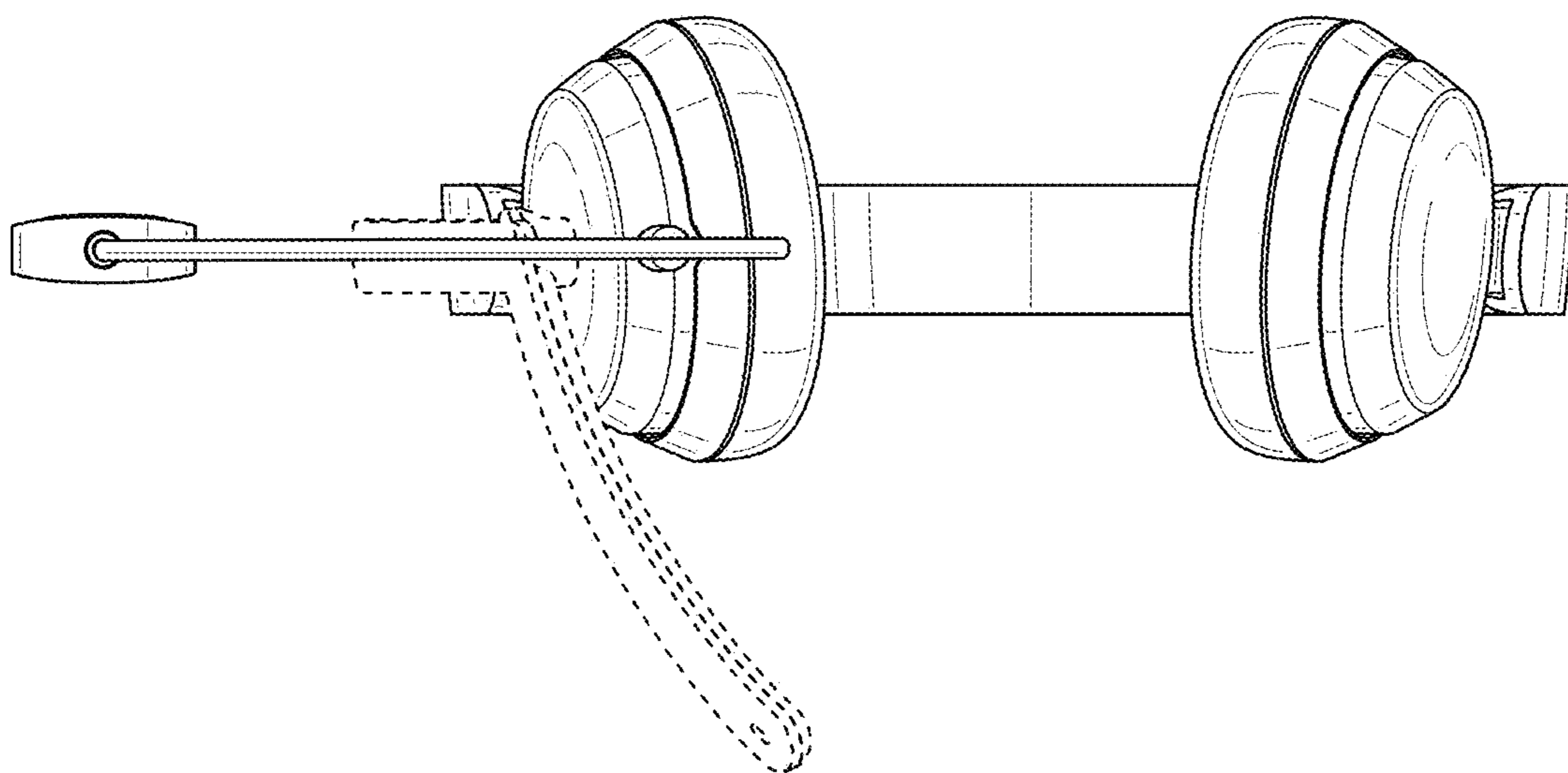


FIG. 8