



US00D981361S

(12) **United States Design Patent**
Christensen et al.

(10) **Patent No.:** **US D981,361 S**
(45) **Date of Patent:** **** Mar. 21, 2023**

(54) **SPEAKER AND CAMERA COMBINATION**

(71) Applicant: **EPOS Group A/S**, Ballerup (DK)
(72) Inventors: **Sofia Blak Christensen**, Ballerup (DK);
Felix Binder, Berlin (DE)
(73) Assignee: **EPOS GROUP A/S**, Ballerup (DK)
(**) Term: **15 Years**
(21) Appl. No.: **29/747,932**

(22) Filed: **Aug. 26, 2020**

(30) **Foreign Application Priority Data**

Feb. 27, 2020 (EM) 007721196-0001
Feb. 27, 2020 (EM) 007721196-0002

(51) **LOC (14) Cl.** **14-01**
(52) **U.S. Cl.**
USPC **D14/204**

(58) **Field of Classification Search**
USPC ... D14/167, 188, 204, 209.1, 210, 211, 214,
D14/215, 216, 221, 224
CPC . H04R 1/02; H04R 5/02; H04R 1/025; G10K
11/004
See application file for complete search history.

(56) **References Cited**

U.S. PATENT DOCUMENTS

3,612,920 A * 10/1971 Bantz B06B 1/067
73/639
D681,606 S * 5/2013 Nishii D14/214
D827,596 S * 9/2018 Hou D14/125
D849,086 S * 5/2019 Russo D16/202
D896,195 S * 9/2020 Zhang D14/125
D903,559 S * 12/2020 Tomasson D14/496
D918,855 S * 5/2021 Carbone D16/208
D924,959 S * 7/2021 Gartrell D16/202

OTHER PUBLICATIONS

[EPOS Expand Vision 3T (1000927) Meeting Room Camera], available in Amazon.com, date first available May 18, 2021 [online], [site visited Apr. 15, 2022], Available from the internet URL: https://www.amazon.com/EPOS-1000927-Exceptional-Cancellation-Speakphone/dp/B094XKDBRM/ref=sr_1_1 (Year: 2021).*
[EXPAND Vision 3T], announced in YouTube on May 7, 2021 [online], [site visited Apr. 15, 2022], Available from the internet URL: <https://www.youtube.com/watch?v=3cuLo4W9Mm0> (Year: 2021).*

* cited by examiner

Primary Examiner — Khawaja Anwar

Assistant Examiner — Megan Tiana Rakos

(74) *Attorney, Agent, or Firm* — Birch, Stewart, Kolasch & Birch, LLP

(57) **CLAIM**

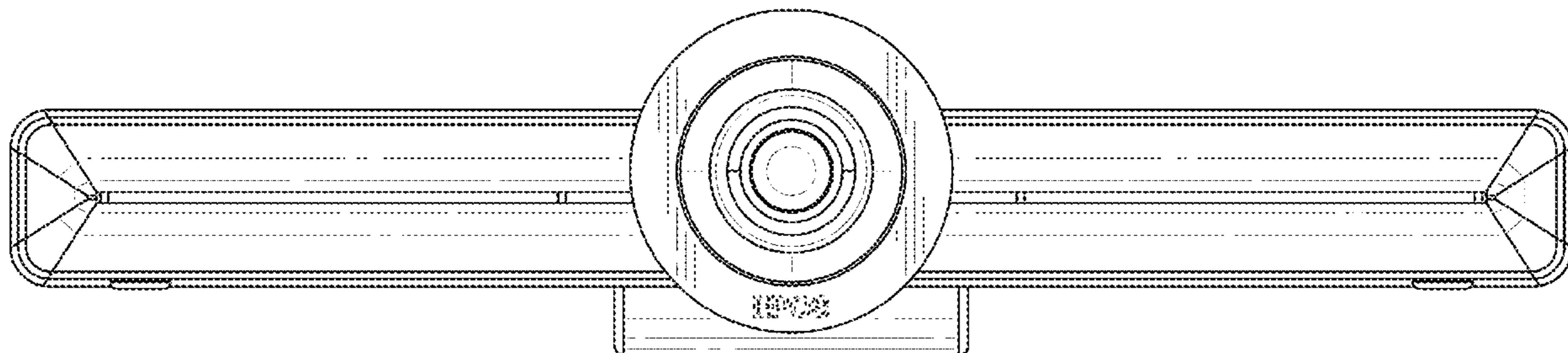
The ornamental design for a speaker and camera combination, as shown and described.

DESCRIPTION

FIG. 1 is a front view of the speaker and camera combination;
FIG. 2 is a top view thereof;
FIG. 3 is a bottom view thereof;
FIG. 4 is a rear view thereof;
FIG. 5 is a left side view thereof;
FIG. 6 is a right side view thereof; and,
FIG. 7 is a perspective view thereof.

The broken lines in the drawing depict portions of the speaker that form no part of the claimed design. The word EPOS is shown in broken lines and is superimposed on continuous surfaces.

1 Claim, 7 Drawing Sheets



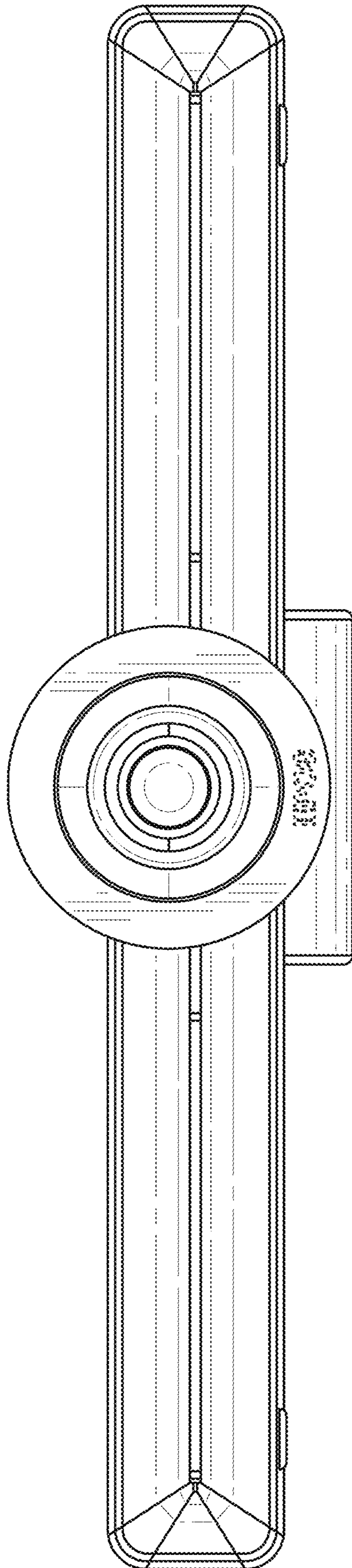


FIG. 1

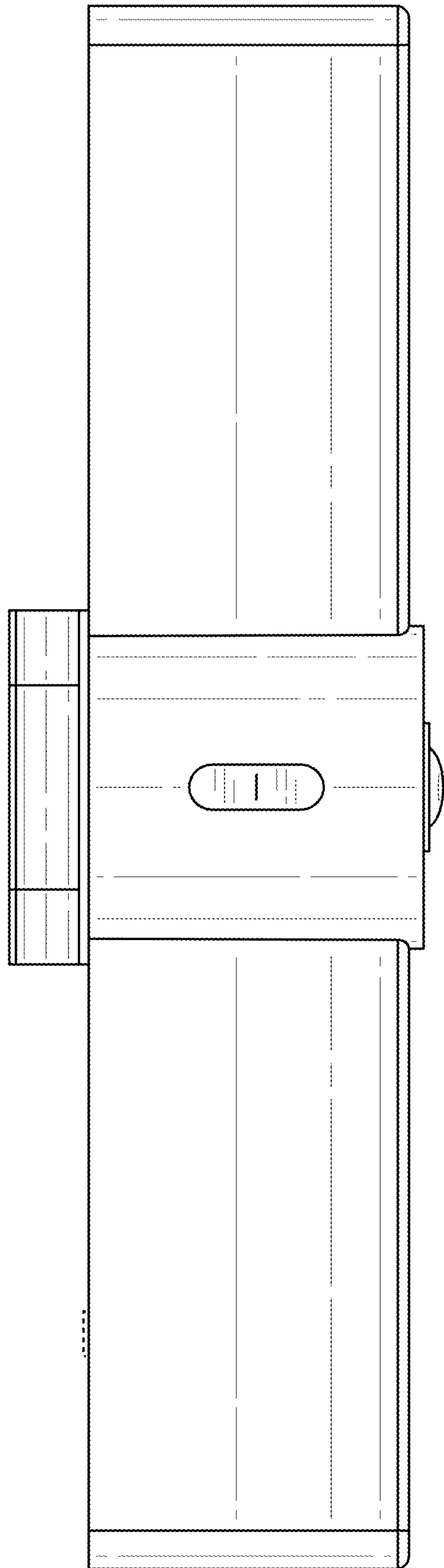


FIG. 2

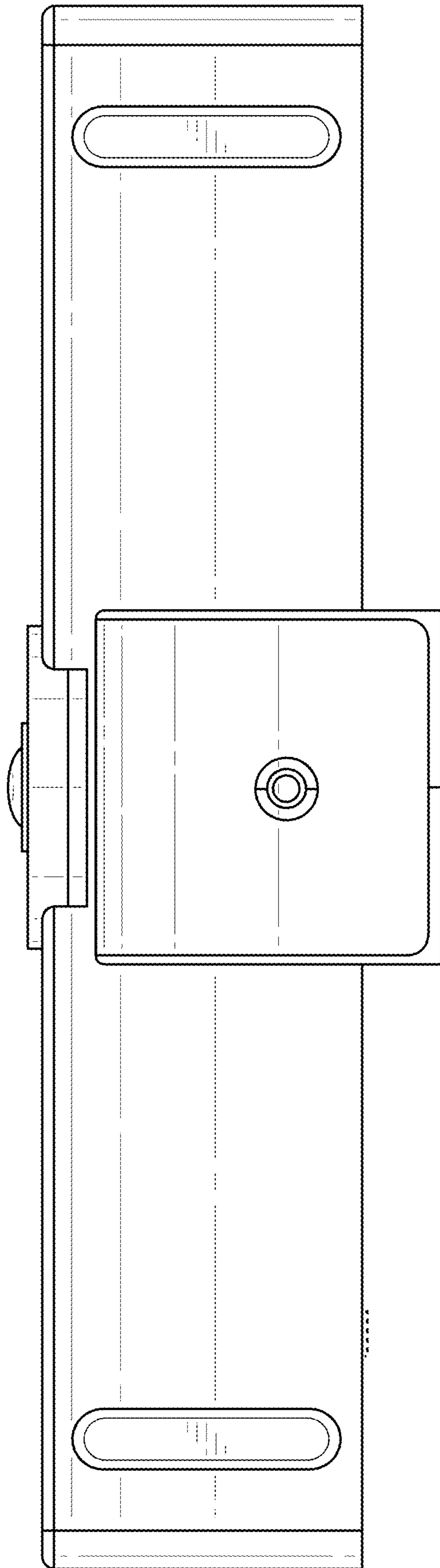


FIG. 3

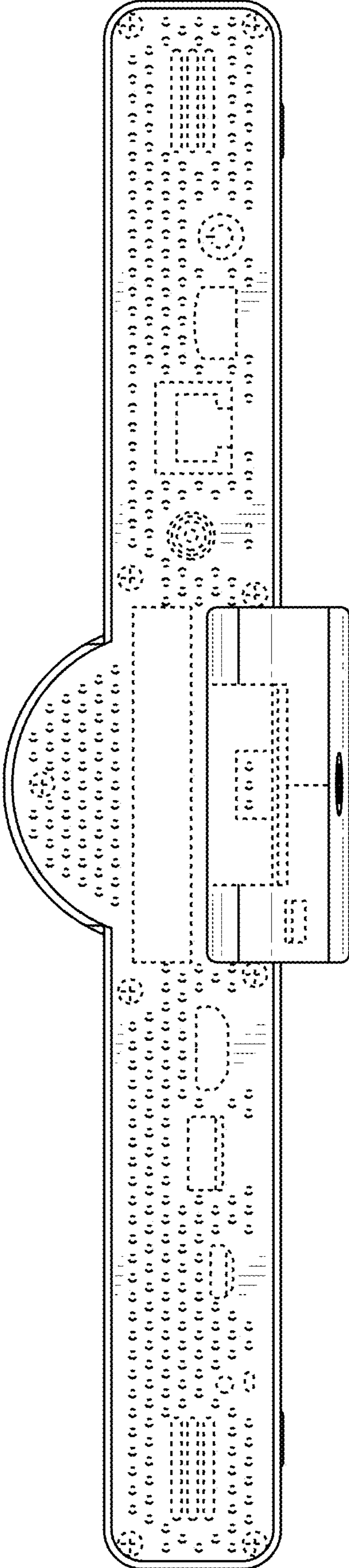


FIG. 4

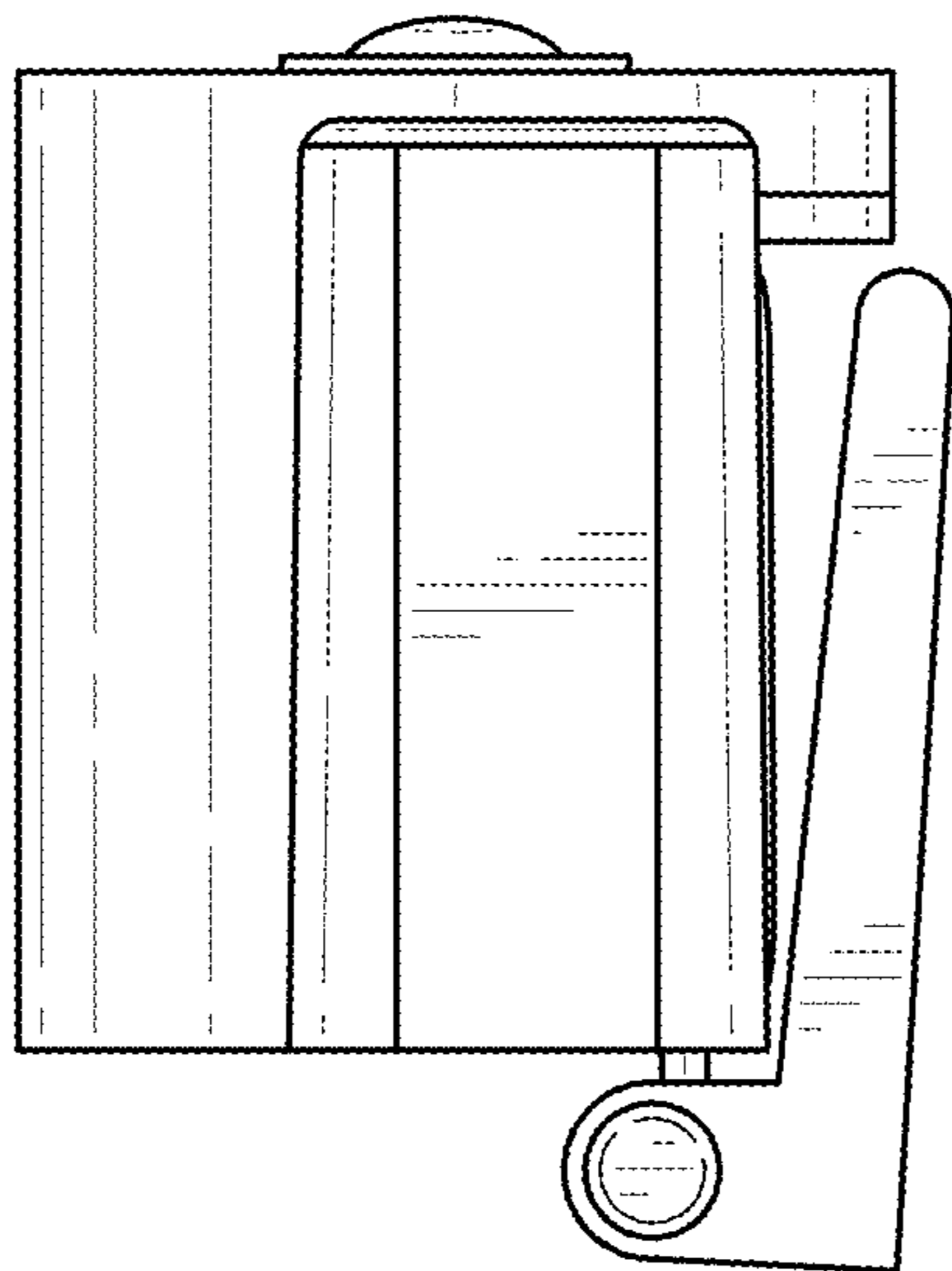


FIG. 5

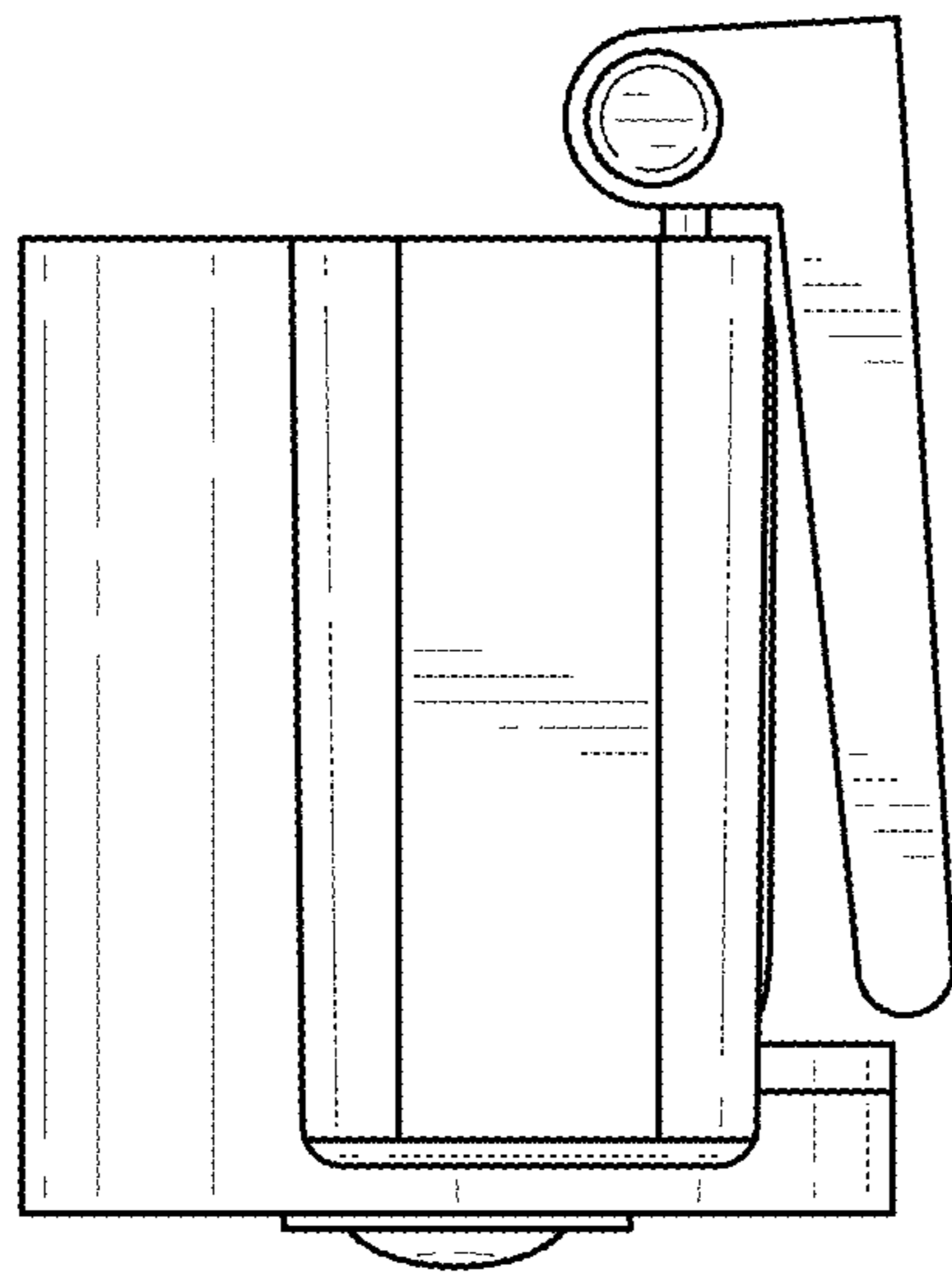


FIG. 6

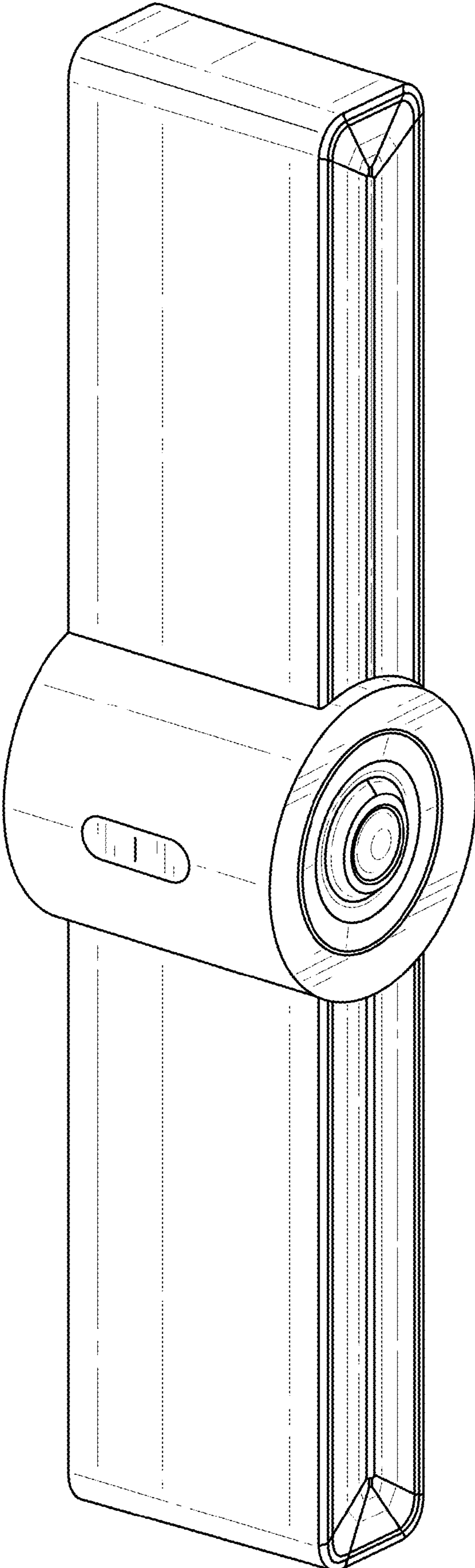


FIG. 7