



US00D981359S

(12) **United States Design Patent**
McRae et al.

(10) **Patent No.:** **US D981,359 S**
(45) **Date of Patent:** **** Mar. 21, 2023**

(54) **RADIO EXTENDER**

FOREIGN PATENT DOCUMENTS

(71) Applicant: **Mobilus Labs Limited**, London (GB)

GB 6182741 * 12/2021

(72) Inventors: **Jordan McRae**, London (GB); **Elliott Baxter**, London (GB); **Maria Silva**, London (GB)

* cited by examiner

Primary Examiner — Bridget L Eland

(73) Assignee: **Mobilus Labs Limited**, London (GB)

(74) *Attorney, Agent, or Firm* — Jeffrey Schox; Randy Mehlenbacher

(**) Term: **15 Years**

(57) **CLAIM**

(21) Appl. No.: **29/801,758**

We claim the ornamental design for a radio extender, as shown and described.

(22) Filed: **Jul. 30, 2021**

(51) **LOC (14) Cl.** **14-03**

(52) **U.S. Cl.**
USPC **D14/137**

(58) **Field of Classification Search**
USPC D14/137, 138 R, 138 AA, 138 AD, 240,
D14/242, 253; D10/104.1; D3/218
CPC .. H04B 1/3833; H04B 1/3827; H04B 1/3855;
H04B 2001/3861; H04M 1/0202; H04M
1/03; H04M 1/035
See application file for complete search history.

DESCRIPTION

FIG. 1 is an isometric view, from the top front left, of a radio extender.

FIG. 2 is an isometric view, from the bottom front right, of the radio extender.

FIG. 3 is an isometric view, from the bottom back right, of the radio extender.

FIG. 4 is an elevation view from the left of the radio extender.

FIG. 5 is an elevation view from the right of the radio extender.

FIG. 6 is a plan view from the top side of the radio extender

FIG. 7 is a plan view from the bottom side of the radio extender.

FIG. 8 is an elevation view from the front of the radio extender; and,

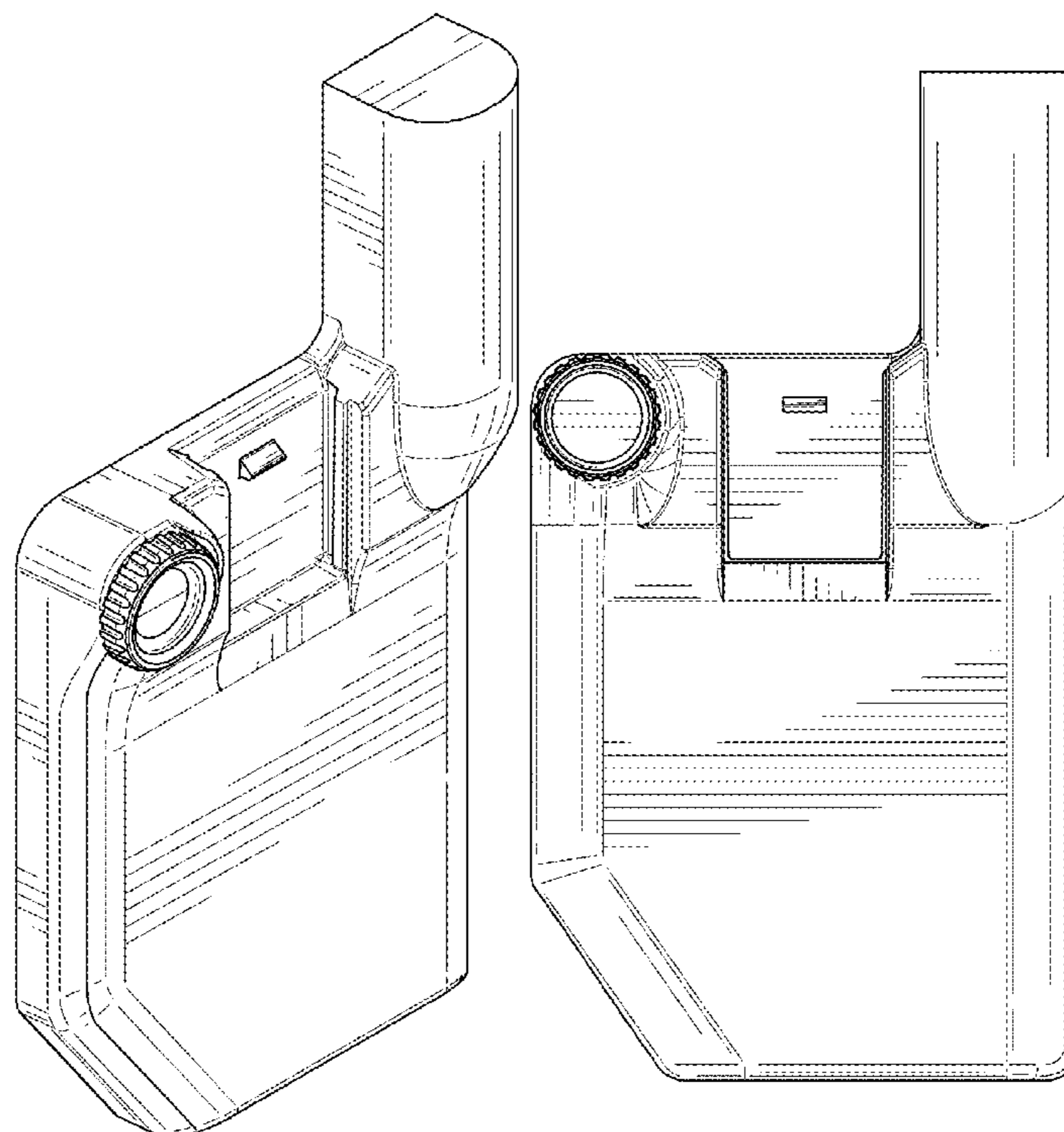
FIG. 9 is an elevation view from the back of the radio extender.

(56) **References Cited**

U.S. PATENT DOCUMENTS

D408,396 S	*	4/1999	Tyneski	D14/137
D417,667 S	*	12/1999	Loubert	D10/104.1
D430,147 S	*	8/2000	Willkens	D14/137
D452,233 S	*	12/2001	Kubik	D14/242
D490,786 S	*	6/2004	Richards	D14/137
D509,812 S	*	9/2005	Mack	D10/104.1
D526,985 S	*	8/2006	Neher	D10/65

1 Claim, 9 Drawing Sheets



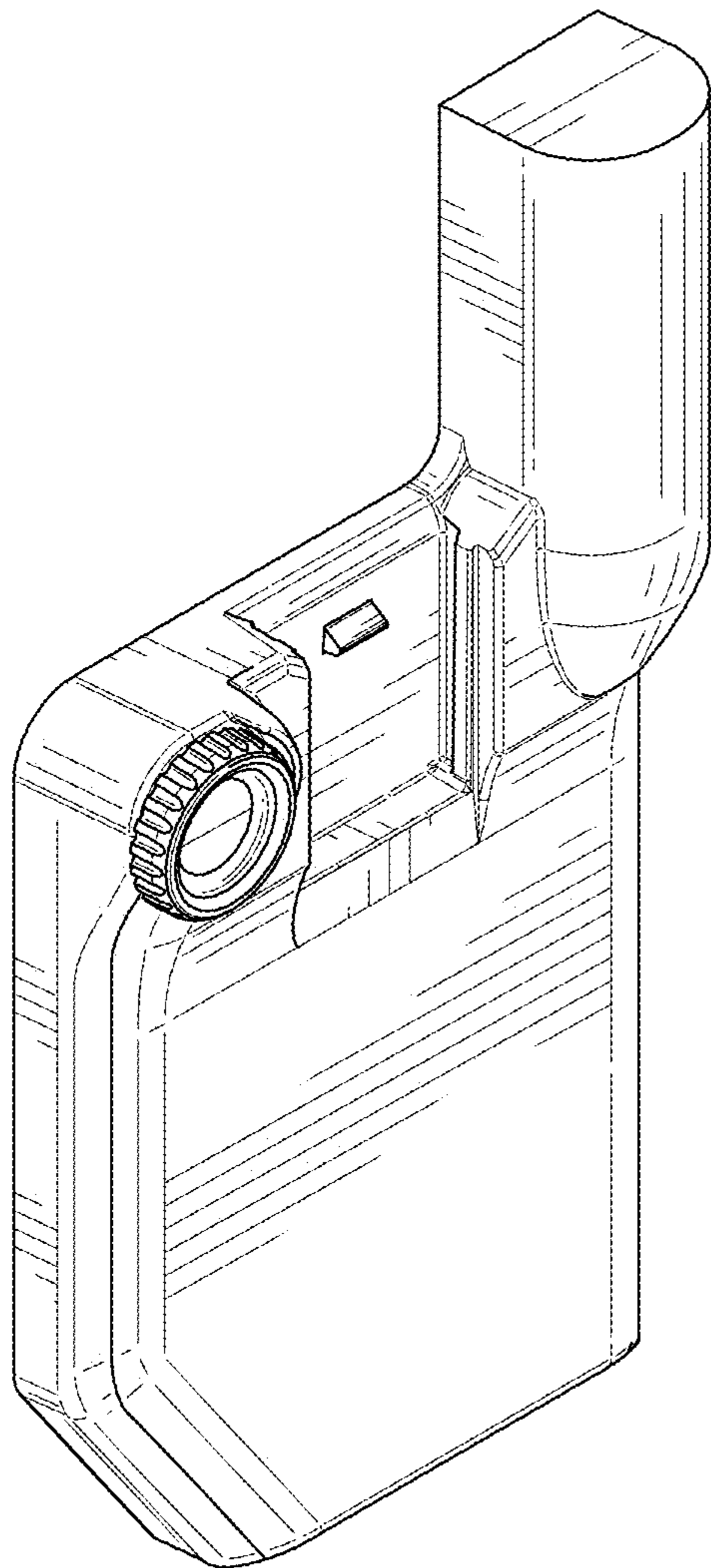


FIG. 1

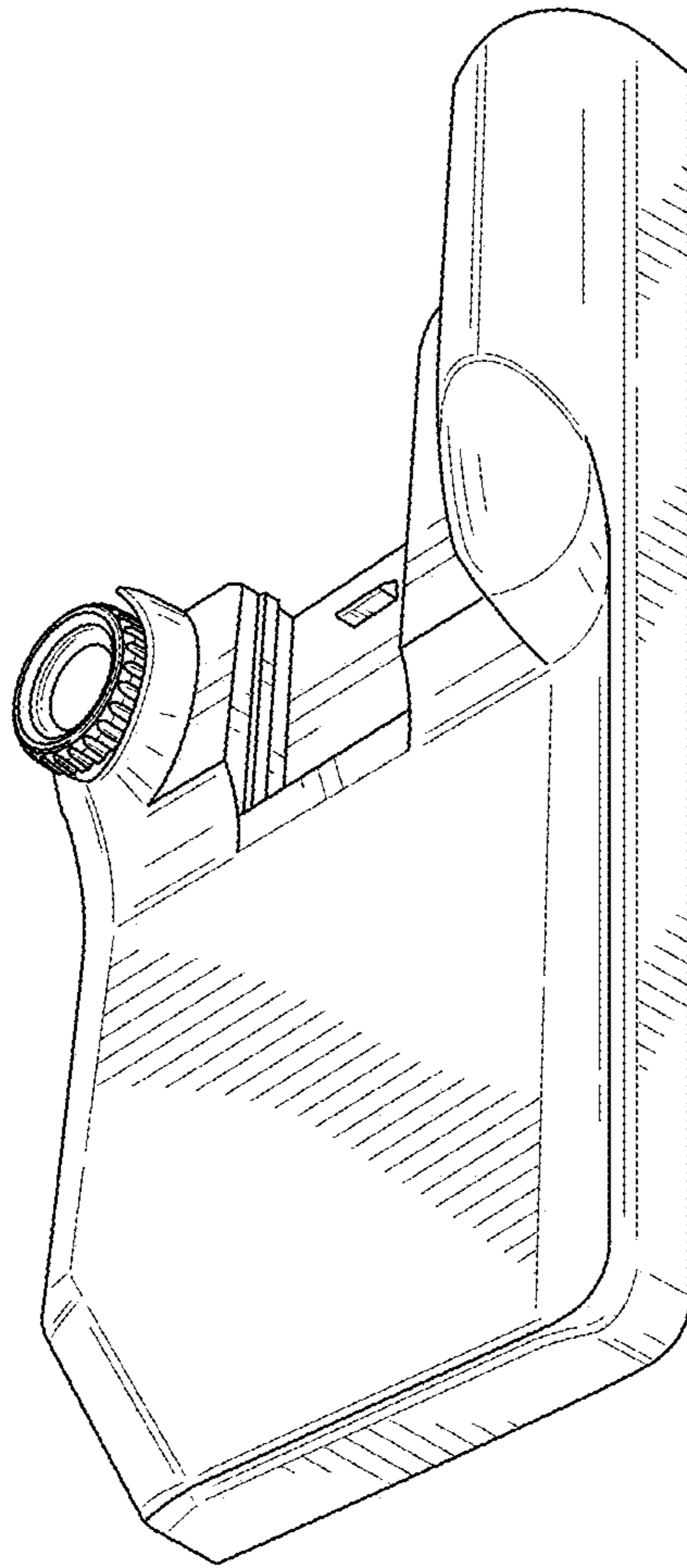


FIG. 2

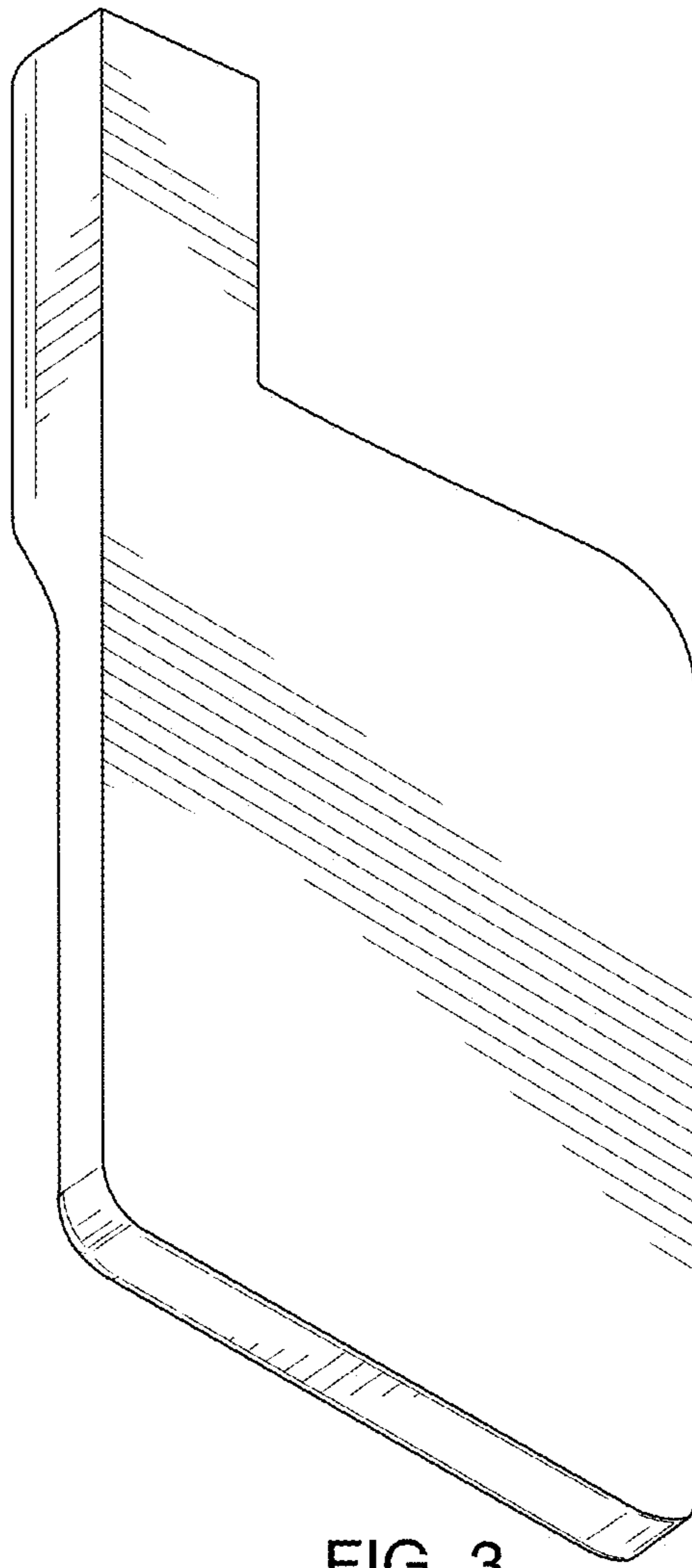


FIG. 3

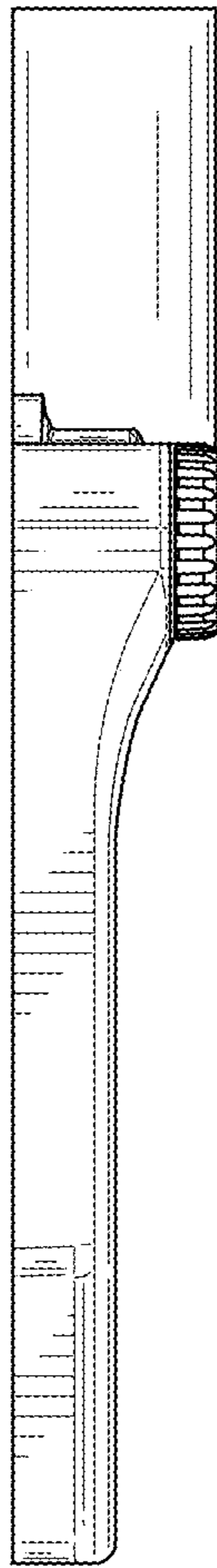


FIG. 4

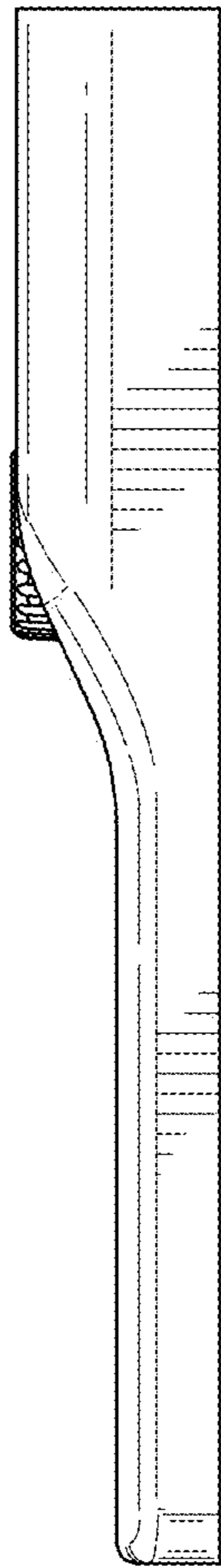


FIG. 5

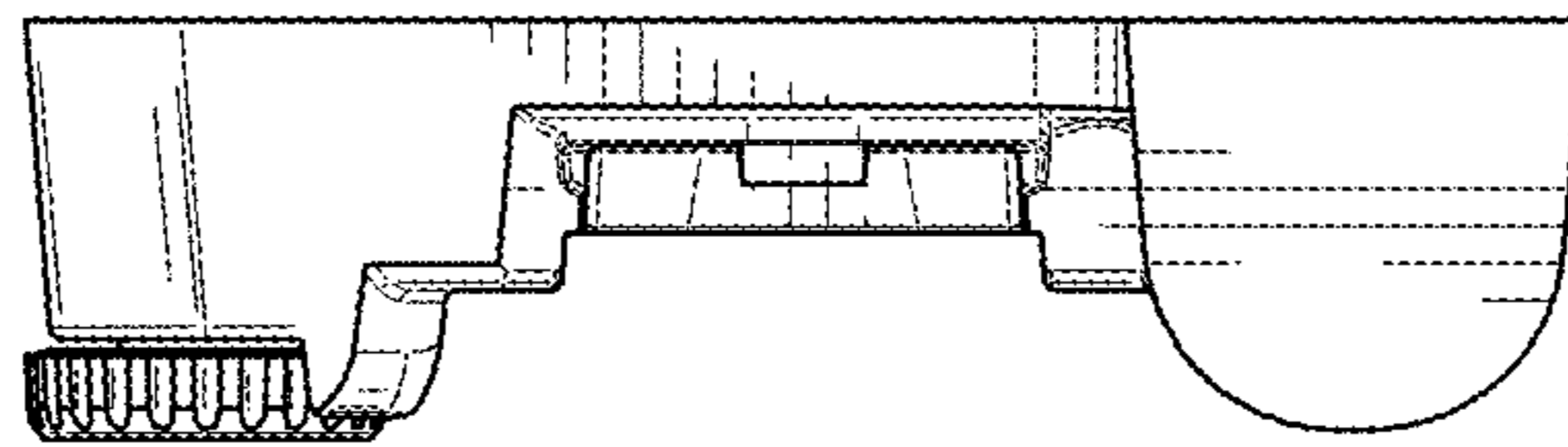


FIG. 6

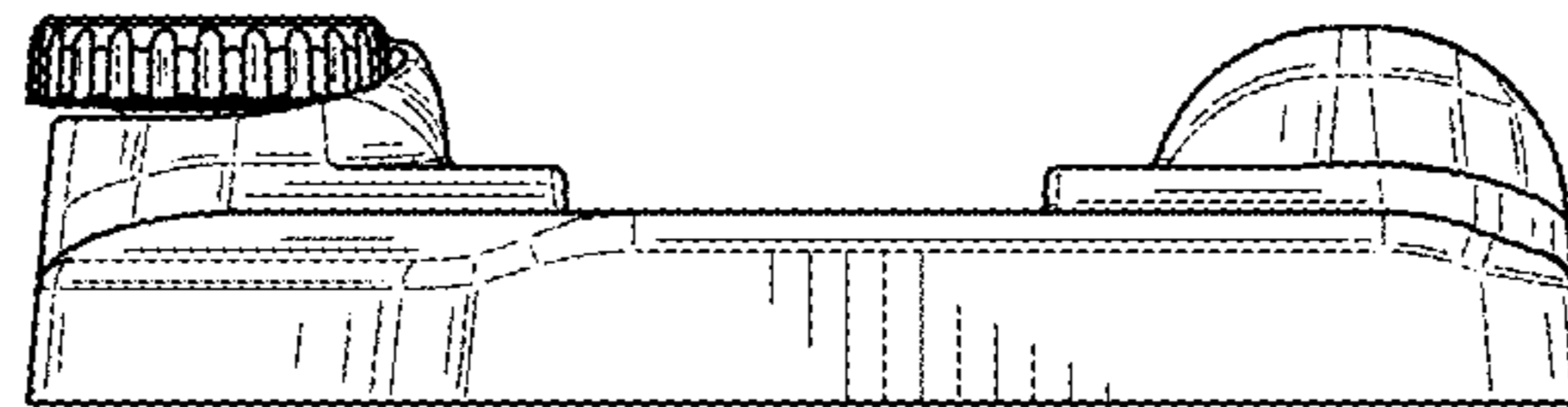


FIG. 7

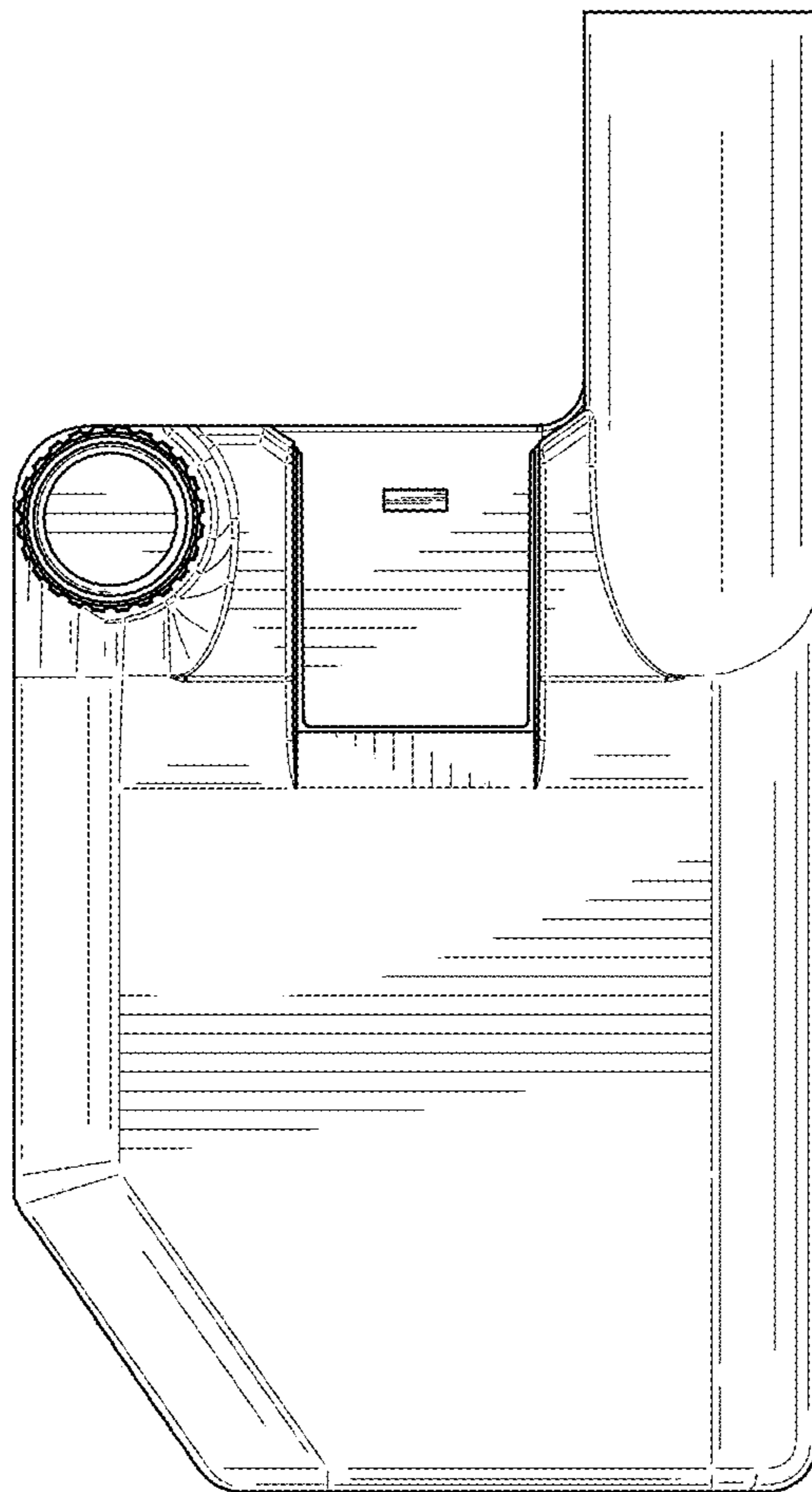


FIG. 8

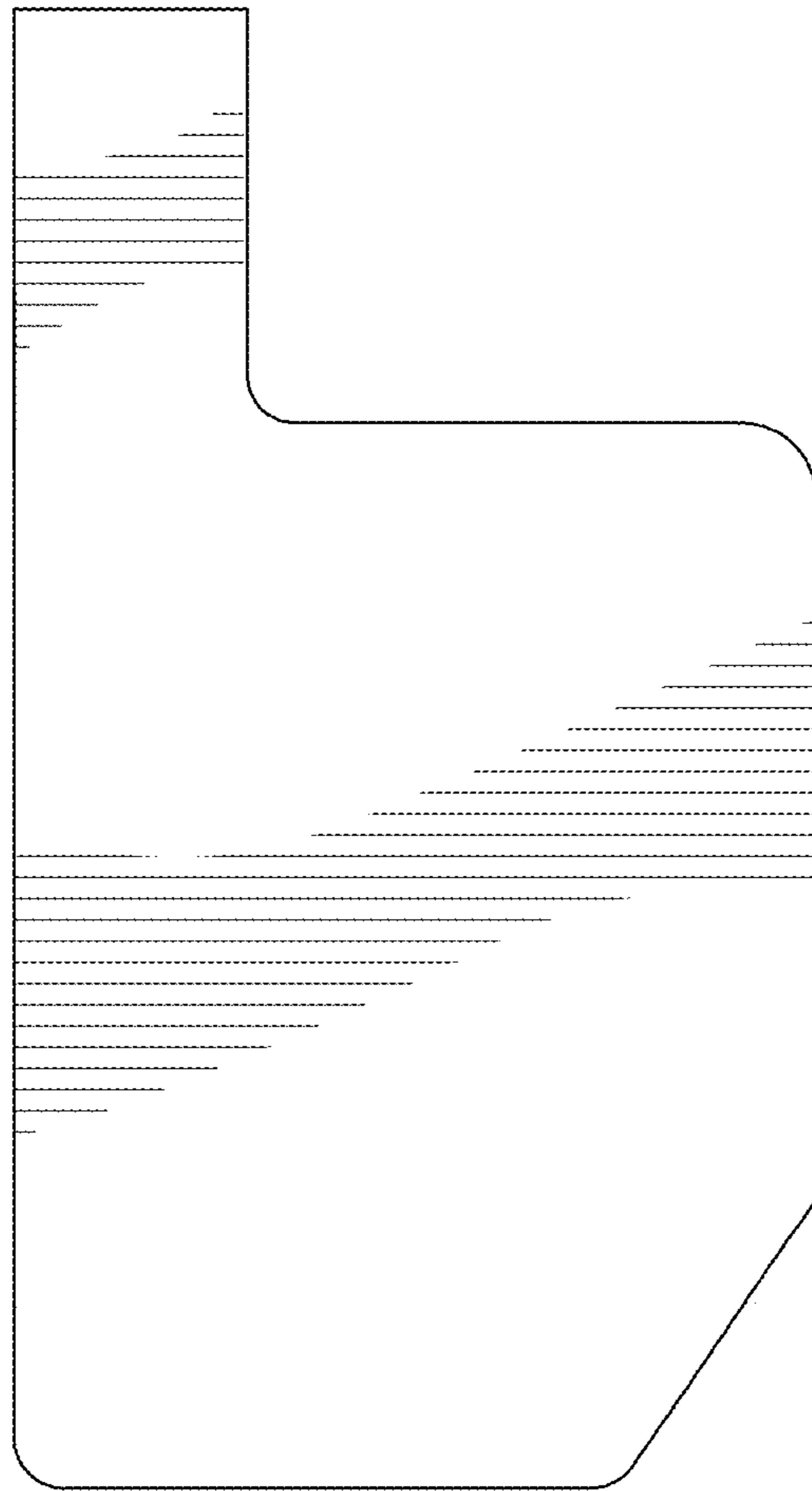


FIG. 9