



US00D981352S

(12) **United States Design Patent**
Song

(10) **Patent No.:** **US D981,352 S**

(45) **Date of Patent:** **** Mar. 21, 2023**

(54) **CONTROLLER SHELL**

(71) Applicant: **Keyong Song**, Linhai (CN)

(72) Inventor: **Keyong Song**, Linhai (CN)

(**) Term: **15 Years**

(21) Appl. No.: **29/846,141**

(22) Filed: **Jul. 13, 2022**

(30) **Foreign Application Priority Data**

Jul. 6, 2022 (CN) 202230425968.4

(51) **LOC (14) Cl.** **14-03**

(52) **U.S. Cl.**
USPC **D13/168**

(58) **Field of Classification Search**
USPC D13/102, 108, 110, 158, 162, 168, 171,
D13/184; D10/40, 49, 104.1, 106.1;
D14/218
CPC G08C 17/02; G09F 23/00; H01H 9/02;
H01H 9/0214; H01H 9/0235; H04B
1/202; F21S 4/00; F21S 4/10; F21S 4/20
See application file for complete search history.

(56) **References Cited**

U.S. PATENT DOCUMENTS

D520,959 S * 5/2006 Nagai D13/158
D804,433 S * 12/2017 Zhuo D13/168
D816,610 S * 5/2018 Lai D13/110
D883,927 S * 5/2020 Chan D13/110
D910,556 S * 2/2021 Huang D13/110
D947,142 S * 3/2022 Zhang D13/168
D952,561 S * 5/2022 Huang D13/110

D954,647 S * 6/2022 Yin D13/110
D954,668 S * 6/2022 Feurtado D13/133
D959,373 S * 8/2022 Li D13/110
D959,390 S * 8/2022 Lan D13/162
D964,933 S * 9/2022 Li D13/110
D971,148 S * 11/2022 Li D13/110

FOREIGN PATENT DOCUMENTS

CN 202030437374.6 * 12/2020
CN 202130072170.1 * 2/2021

* cited by examiner

Primary Examiner — Selina Sikder

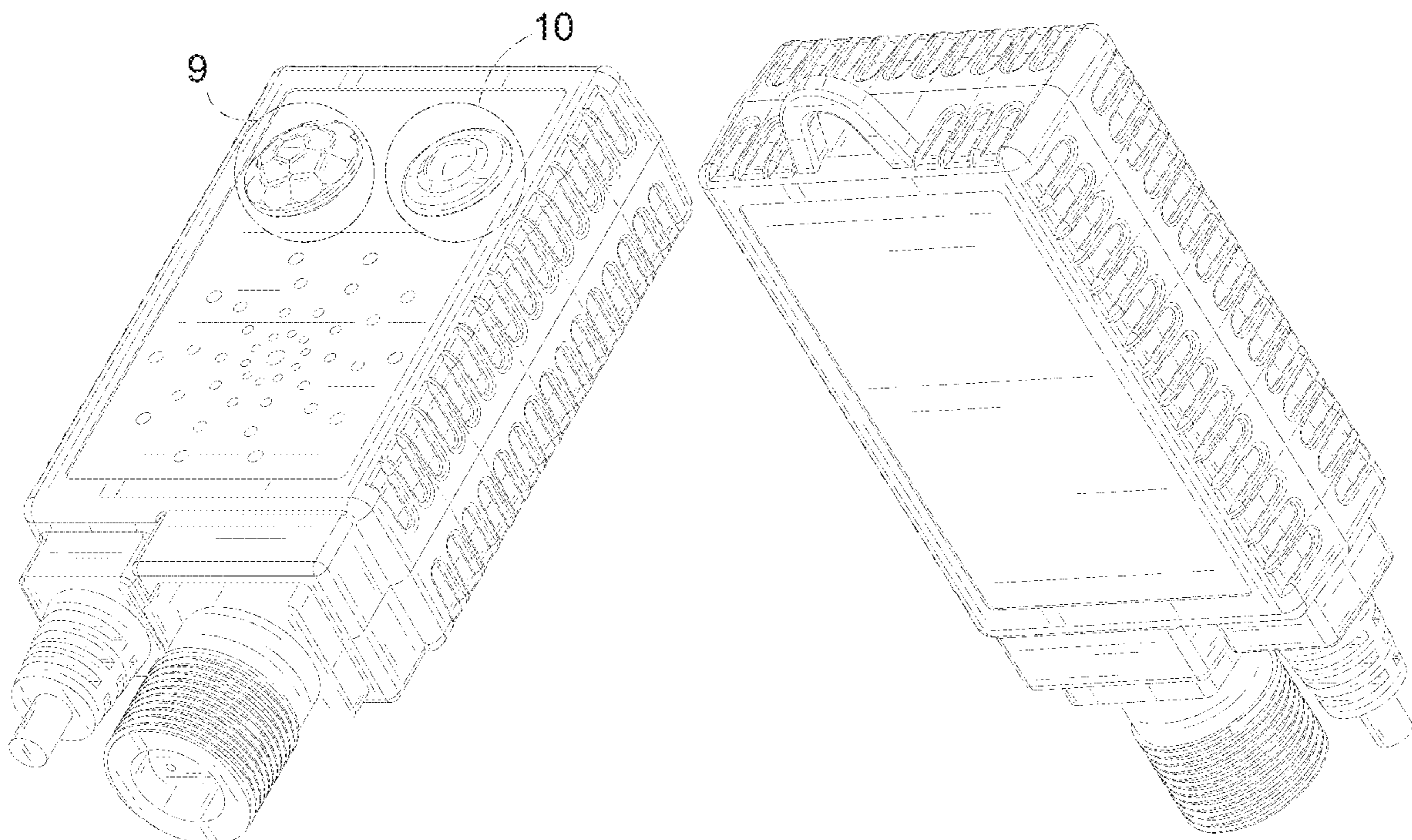
(57) **CLAIM**

The ornamental design for a controller shell, as shown and described.

DESCRIPTION

FIG. 1 is a first perspective view of a controller shell design showing my new design;
FIG. 2 is a second perspective view thereof;
FIG. 3 is a front view thereof;
FIG. 4 is a rear view thereof;
FIG. 5 is a right side view thereof;
FIG. 6 is a left side view thereof;
FIG. 7 is a top view thereof;
FIG. 8 is a bottom view thereof;
FIG. 9 is an enlarged view of the selected portion “9” in FIG. 1; and,
FIG. 10 is an enlarged view of the selected portion “10” in FIG. 1.

1 Claim, 10 Drawing Sheets



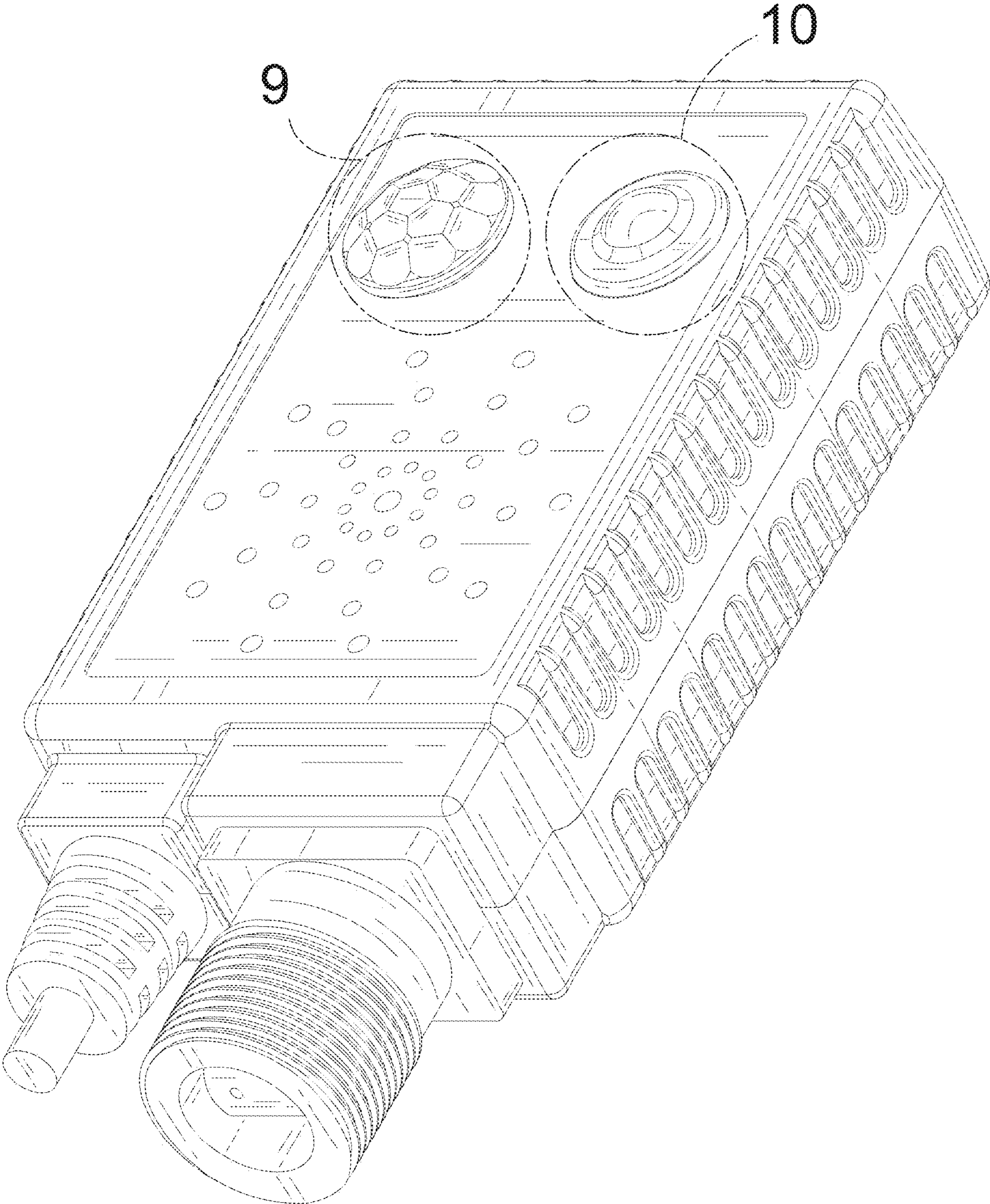


FIG. 1

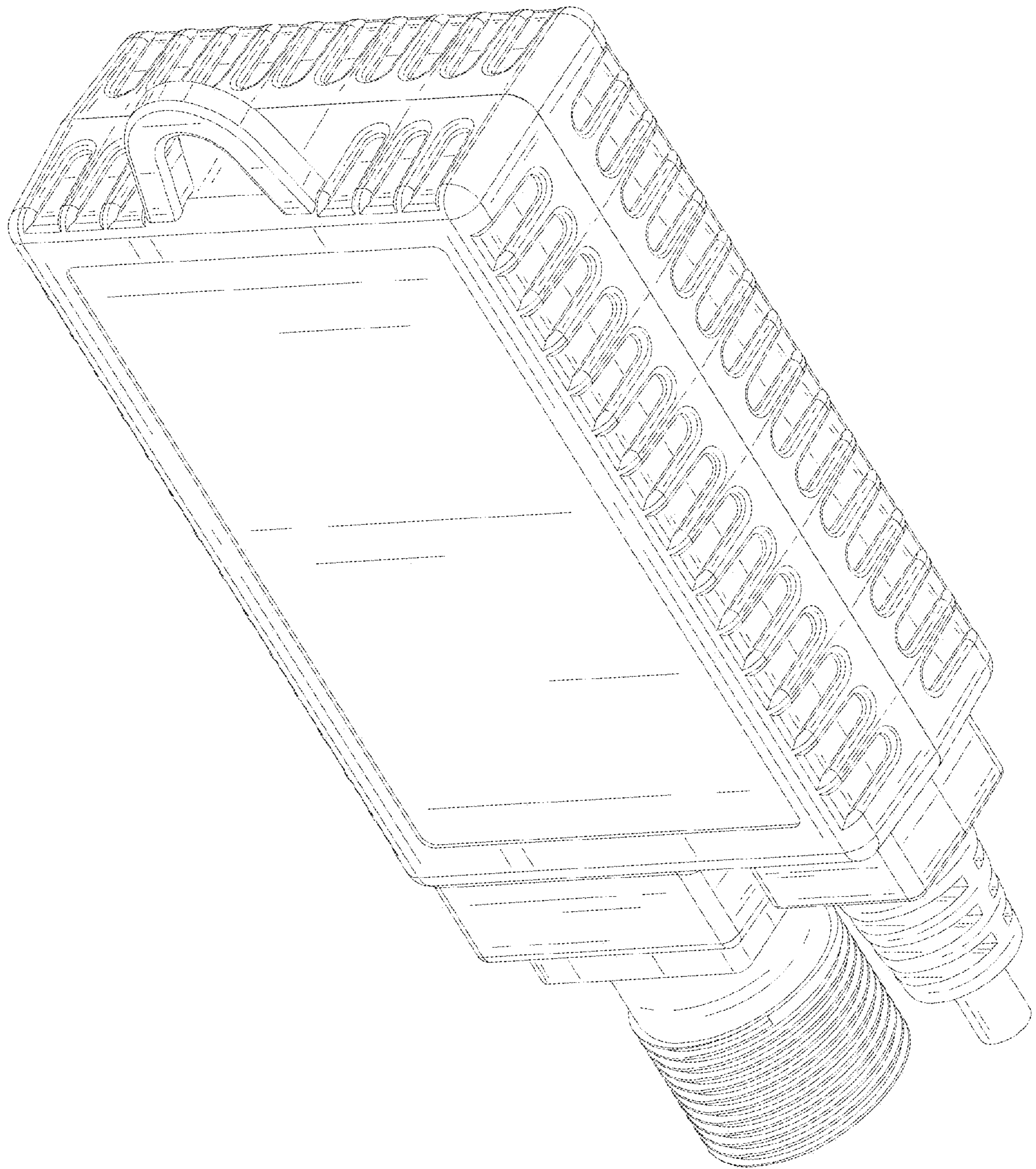


FIG. 2

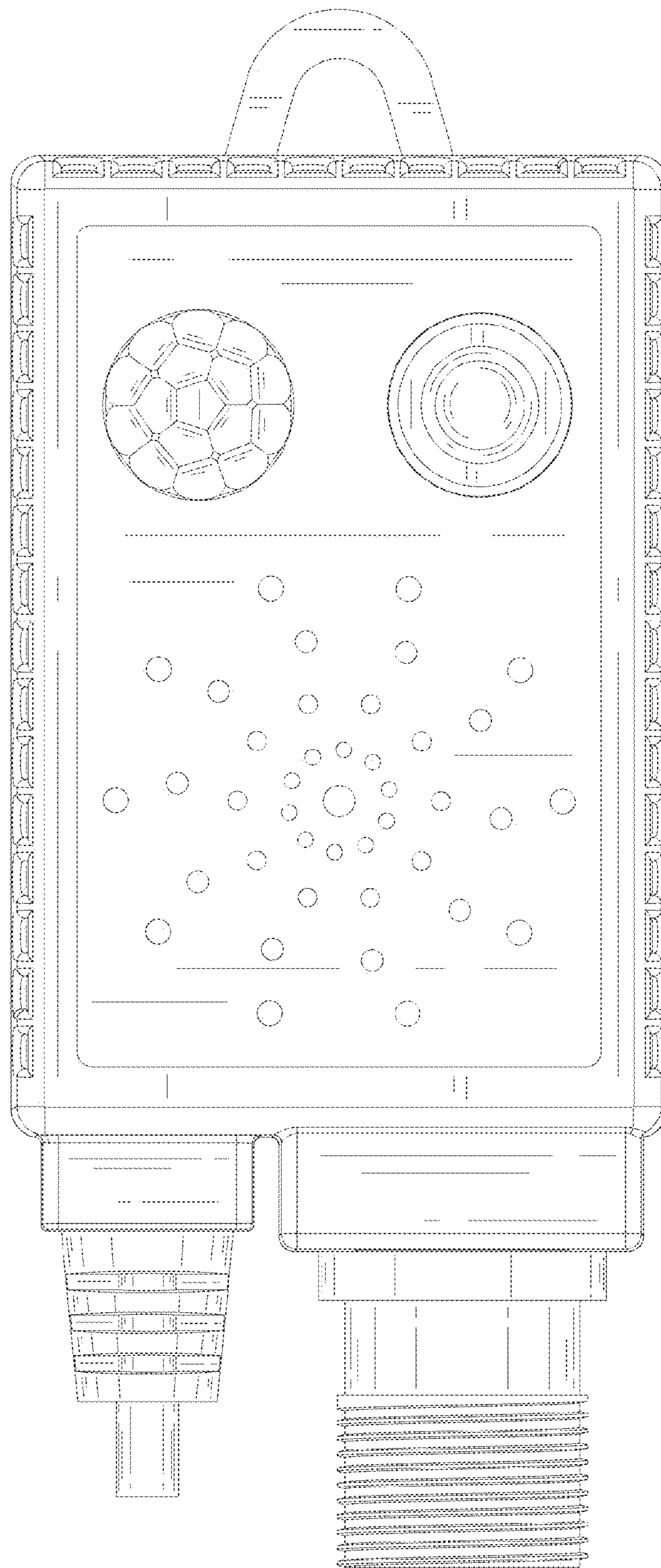


FIG. 3

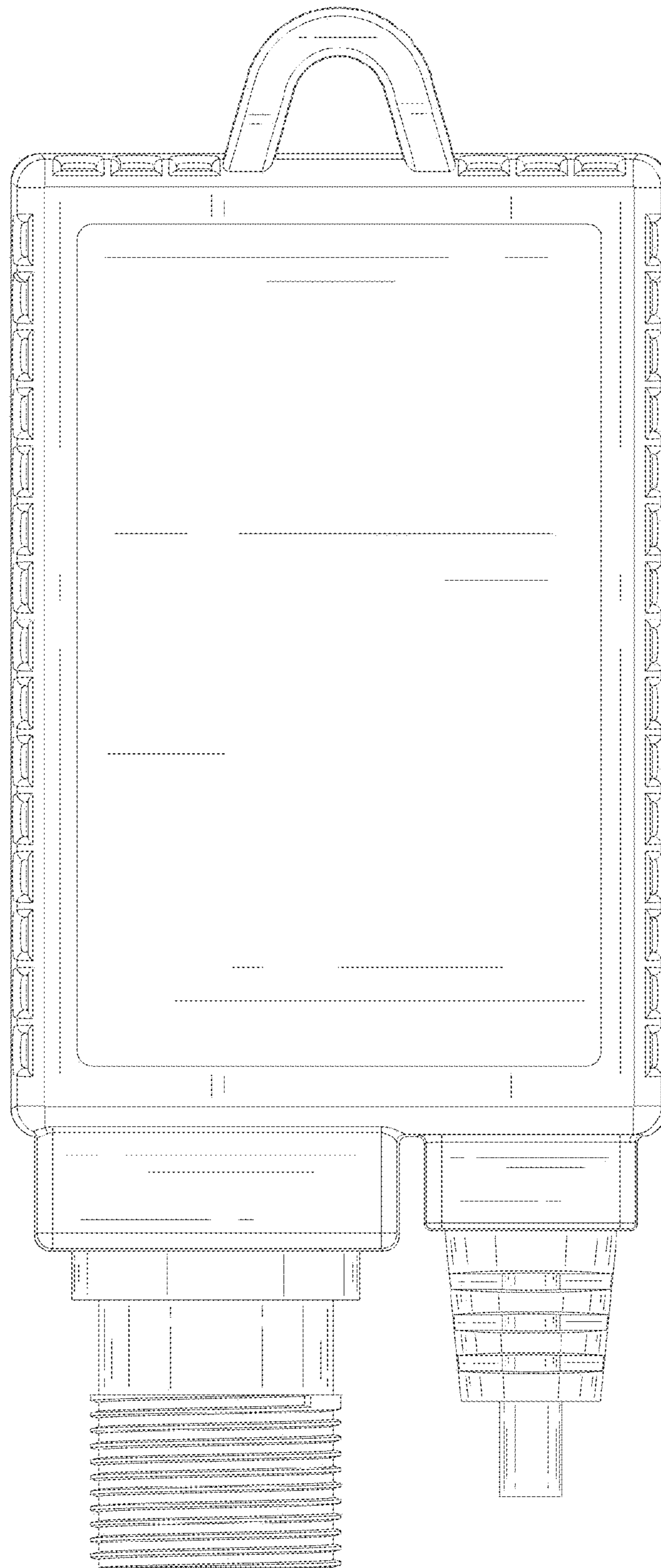


FIG. 4

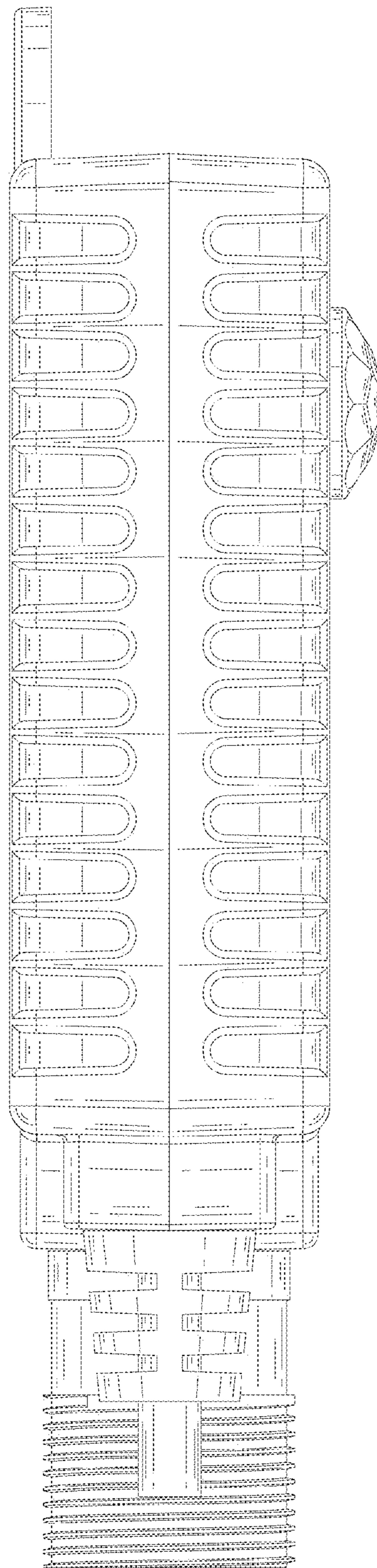


FIG. 5

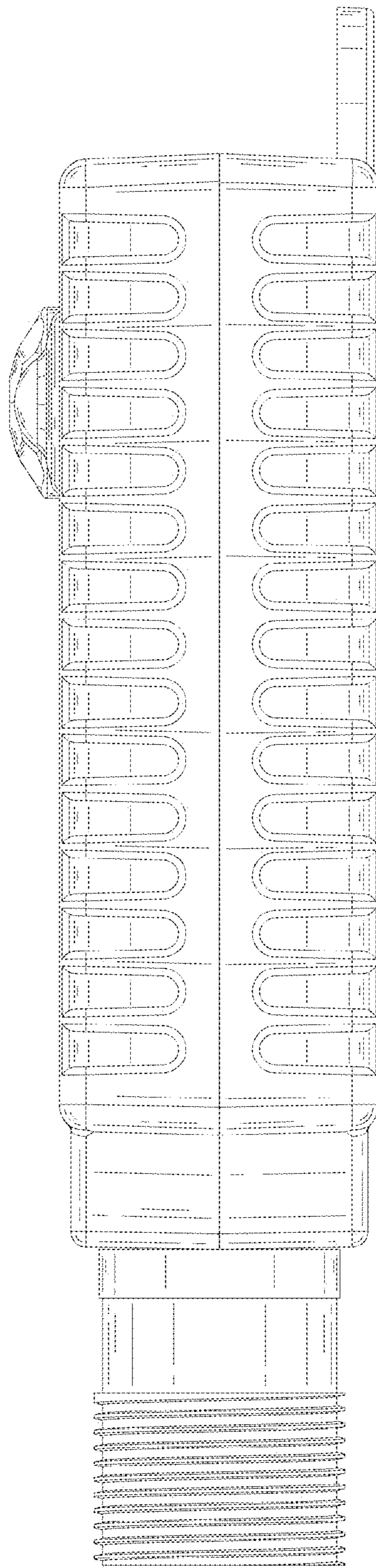


FIG. 6

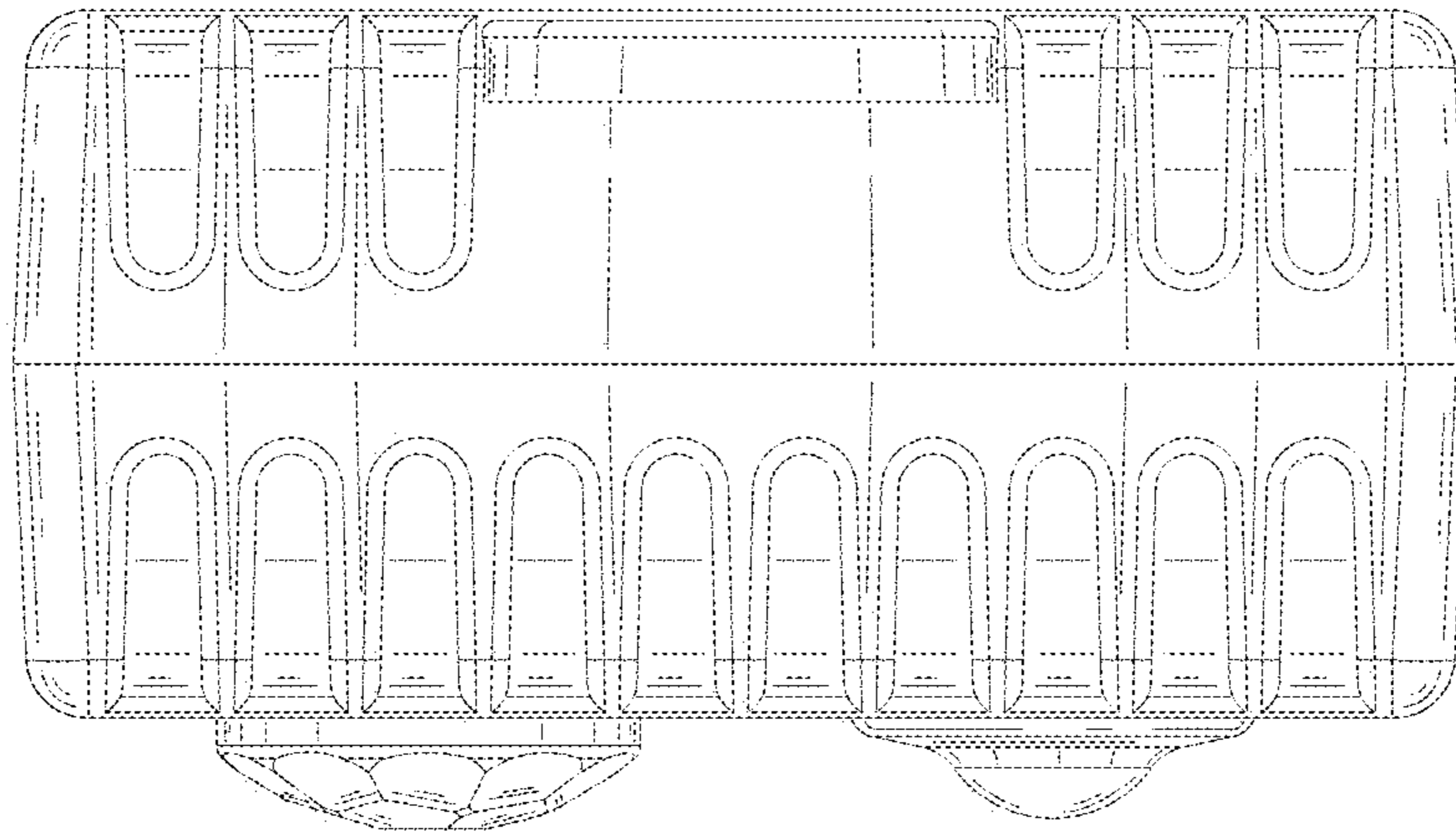


FIG. 7

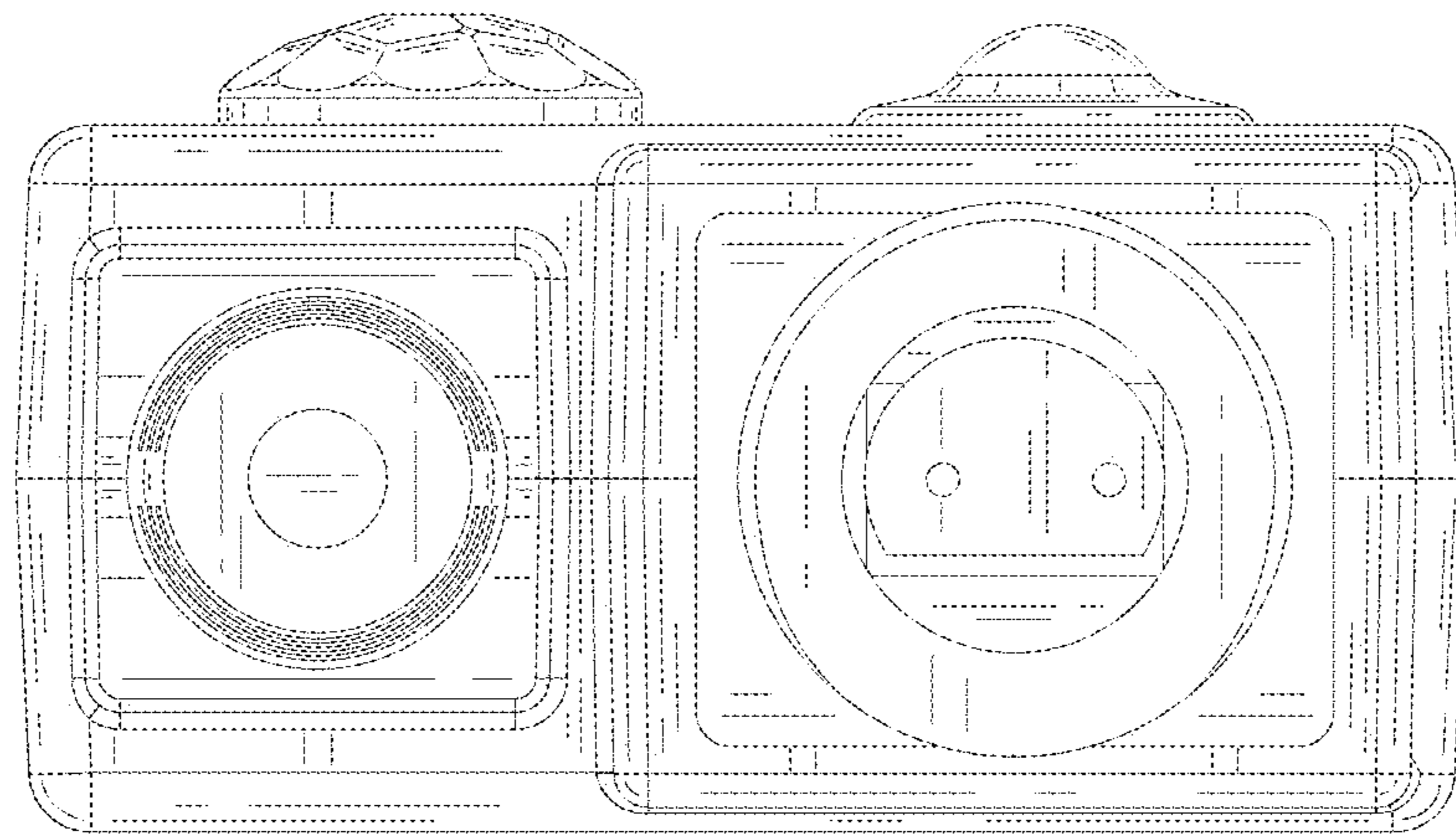


FIG. 8

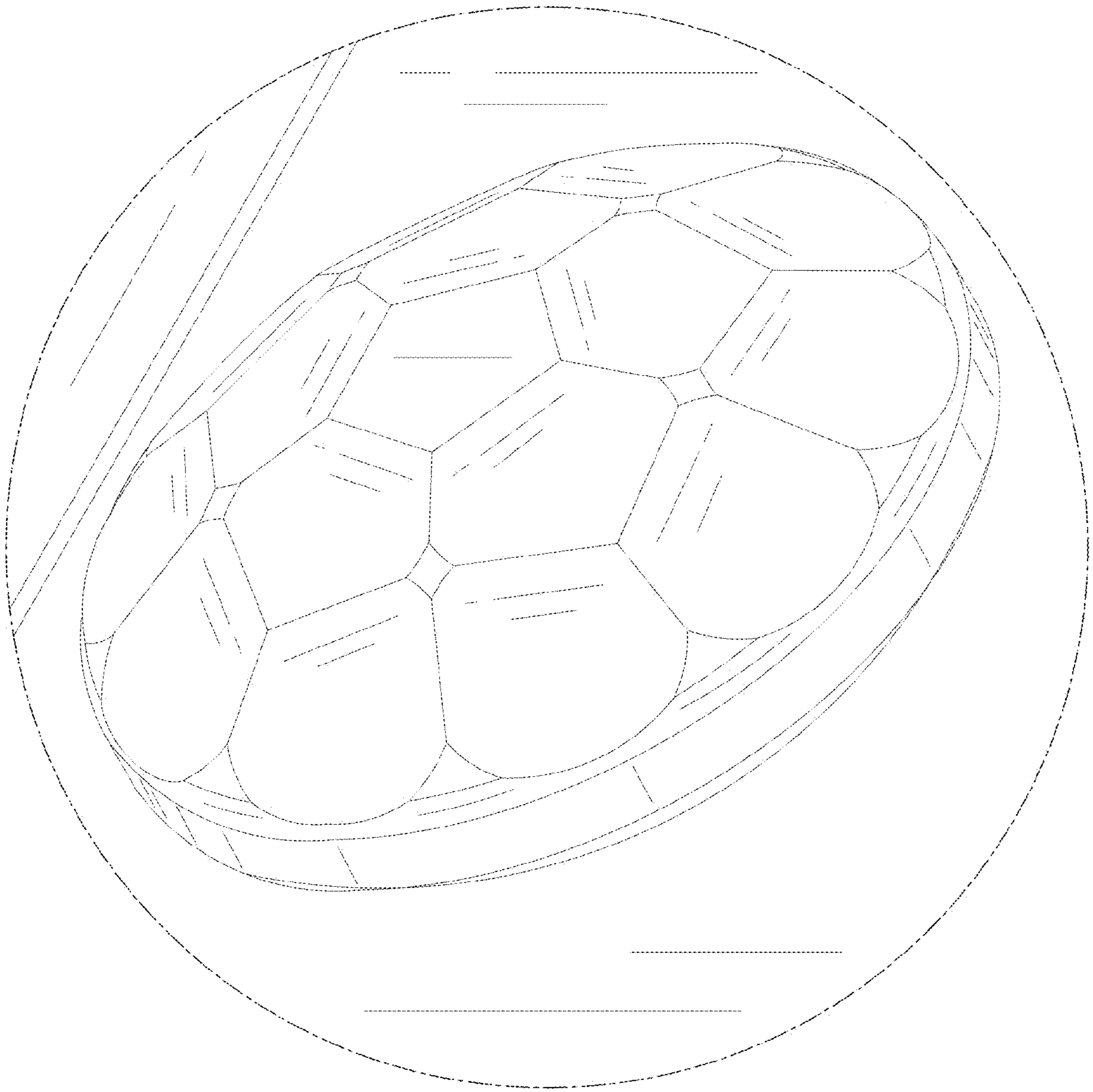


FIG. 9

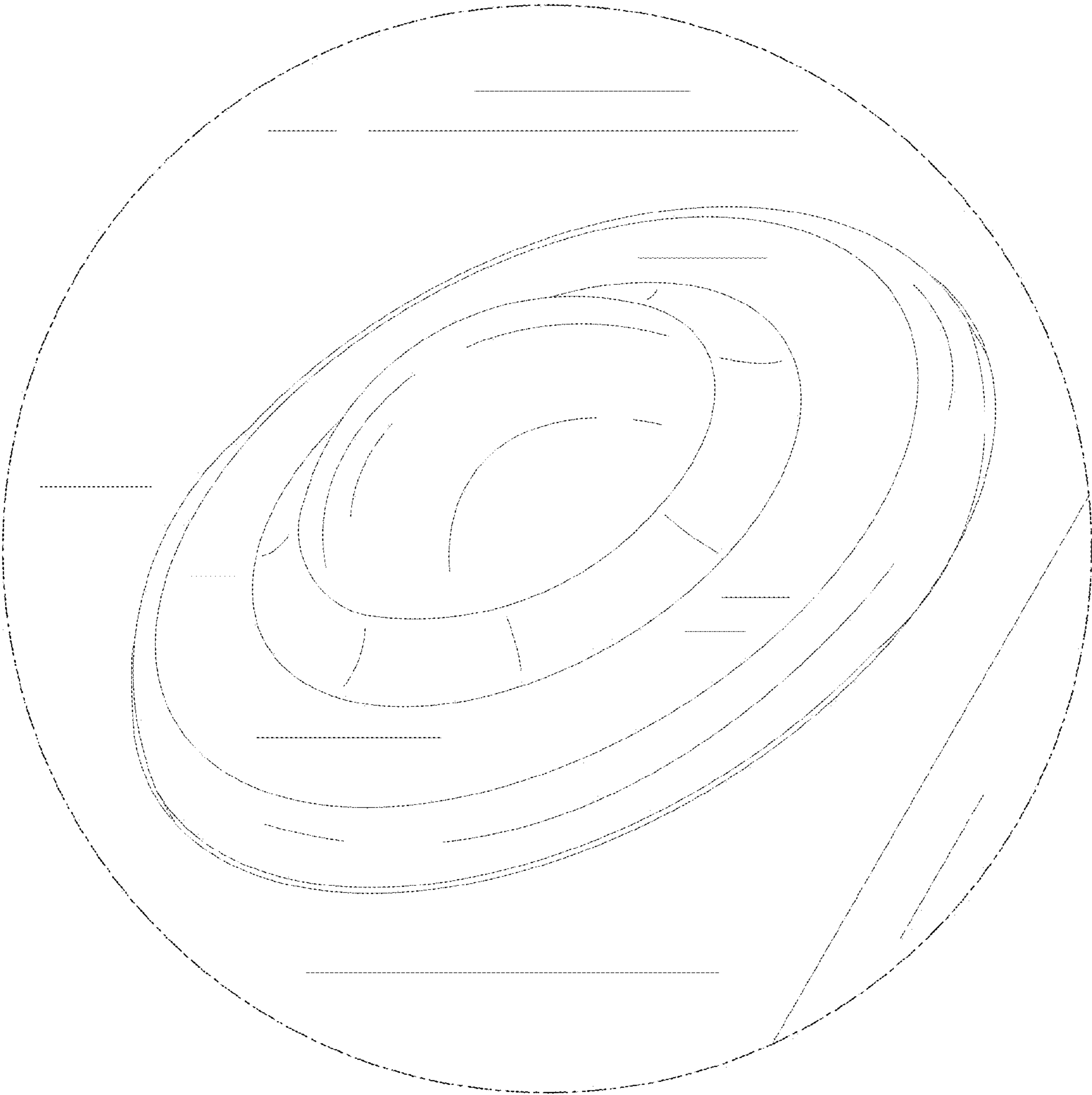


FIG. 10