



US00D981351S

(12) **United States Design Patent**
Cao

(10) **Patent No.:** **US D981,351 S**
(45) **Date of Patent:** **** Mar. 21, 2023**

- (54) **ELECTRIC CIRCUIT TESTER**
- (71) Applicant: **SHENZHEN SINOY TECHNOLOGY CO., LTD**, Shenzhen (CN)
- (72) Inventor: **Jinli Cao**, Shenzhen (CN)
- (73) Assignee: **SHENZHEN SINOY TECHNOLOGY CO., LTD**, Shenzhen (CN)
- (**) Term: **15 Years**
- (21) Appl. No.: **29/854,491**
- (22) Filed: **Sep. 26, 2022**
- (51) **LOC (14) Cl.** **13-03**
- (52) **U.S. Cl.**
USPC **D13/160**; D10/78
- (58) **Field of Classification Search**
USPC D10/57, 60, 75, 78, 80, 81, 103;
D13/123, 158, 160, 168; D24/200
CPC G01R 1/04; G01R 13/406; G01R 15/125;
G01R 19/155
See application file for complete search history.

9,423,417 B2 * 8/2016 Laurino G01R 1/04
 D793,964 S * 8/2017 Aromin D13/160
 D868,005 S * 11/2019 Aromin D13/160
 2021/0181239 A1 * 6/2021 Constable G01R 15/125

OTHER PUBLICATIONS

Godiag, Date: Aug. 5, 2022, [online], [site visited Nov. 17, 2022]. Available from internet, URL: <https://www.amazon.com/Circuit-Electrical-Automotive-Injector-Cleaner/dp/B0B8SBZLHJ> (Year: 2022).*

GT103, Date: Jun. 8, 2022, [online], [site visited Nov. 17, 2022]. Available from internet, URL: <http://blog.obd2shop.co.uk/godiag-gt103-most-cost-effective-circuit-tester-must-have/> (Year: 2022).*

* cited by examiner

Primary Examiner — Shawn T Gingrich
Assistant Examiner — Bryan N. Melvin
 (74) *Attorney, Agent, or Firm* — Daniel M. Cohn;
 Howard M. Cohn

(57) **CLAIM**

The ornamental design for an electric circuit tester, as shown and described.

DESCRIPTION

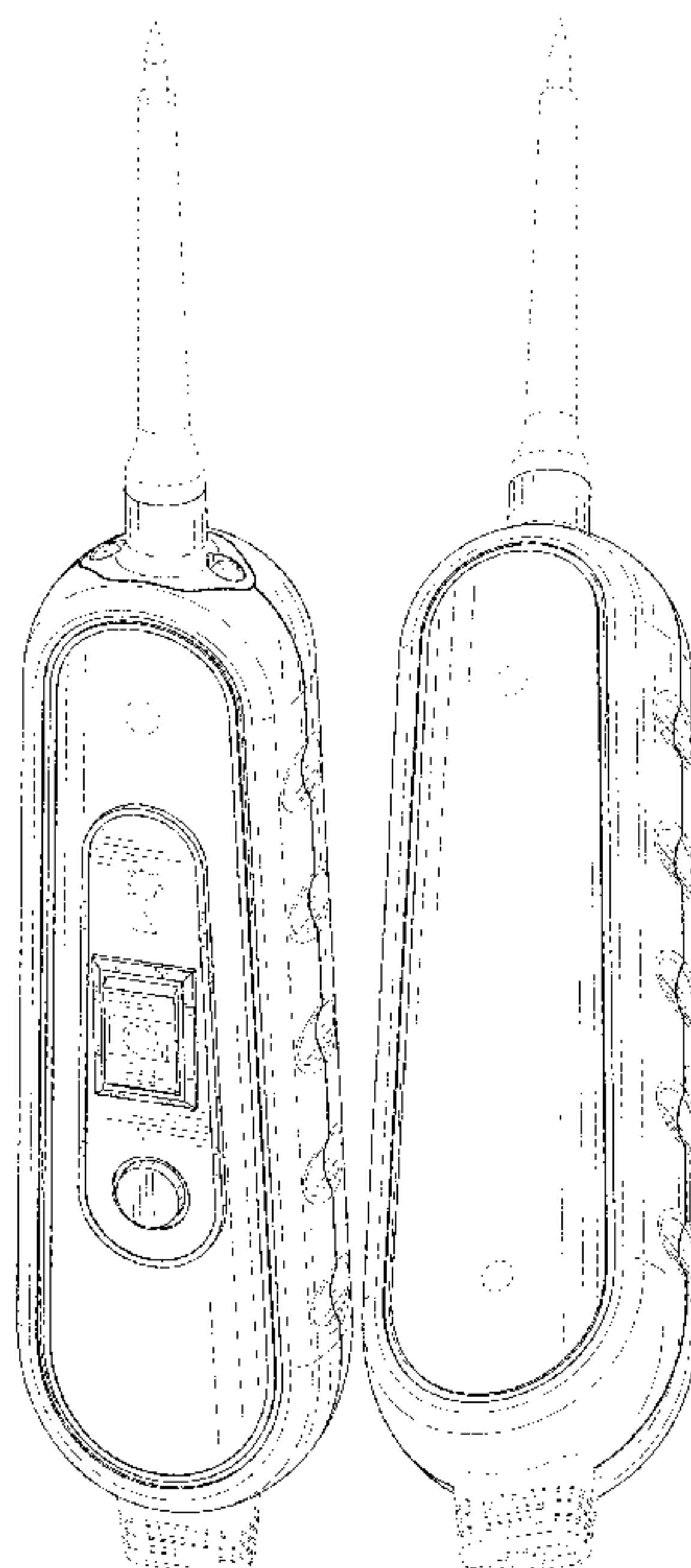
FIG. 1 is a perspective view of an electric circuit tester showing my new design;
 FIG. 2 is another perspective view thereof;
 FIG. 3 is a front elevational view thereof;
 FIG. 4 is a rear elevational view thereof;
 FIG. 5 is a left side elevational view thereof;
 FIG. 6 is a right side elevational view thereof;
 FIG. 7 is a top plan view thereof; and,
 FIG. 8 is a bottom plan view thereof.
 The broken lines in the drawings depict portions of the electric circuit tester that form no part of the claimed design.

1 Claim, 8 Drawing Sheets

(56) **References Cited**

U.S. PATENT DOCUMENTS

D236,814 S * 9/1975 Sato D10/57
 3,934,195 A * 1/1976 Shires G01R 19/155
 324/548
 D254,189 S * 2/1980 Prosky D10/103
 D268,991 S * 5/1983 Bilgutay D10/103
 D287,473 S * 12/1986 Ueno D10/103
 D330,681 S * 11/1992 Yamada D10/57
 D460,702 S 7/2002 Kaise
 6,512,361 B1 * 1/2003 Becker G01R 13/406
 324/133
 D481,963 S * 11/2003 Onuma D10/78
 D706,434 S * 6/2014 Aasebo D24/200



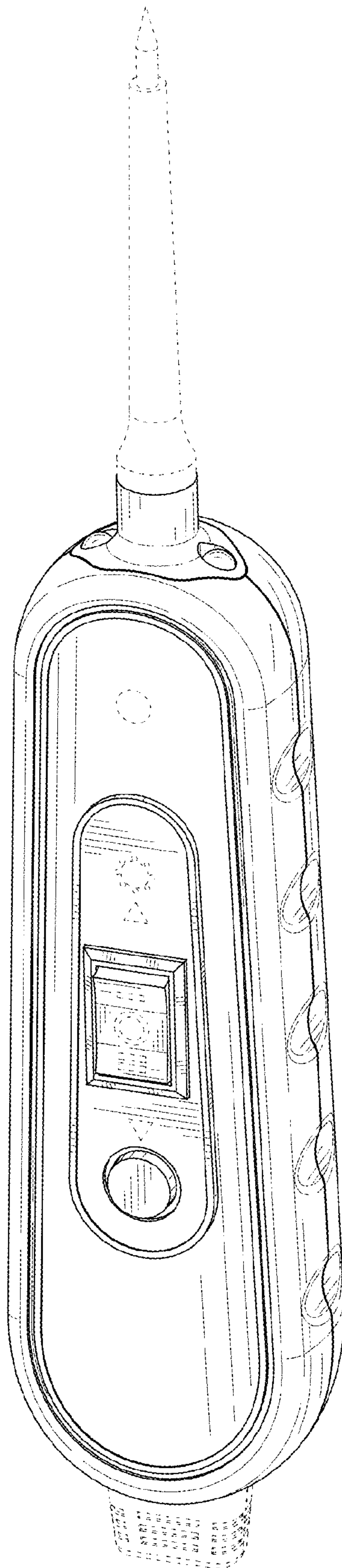


FIG. 1

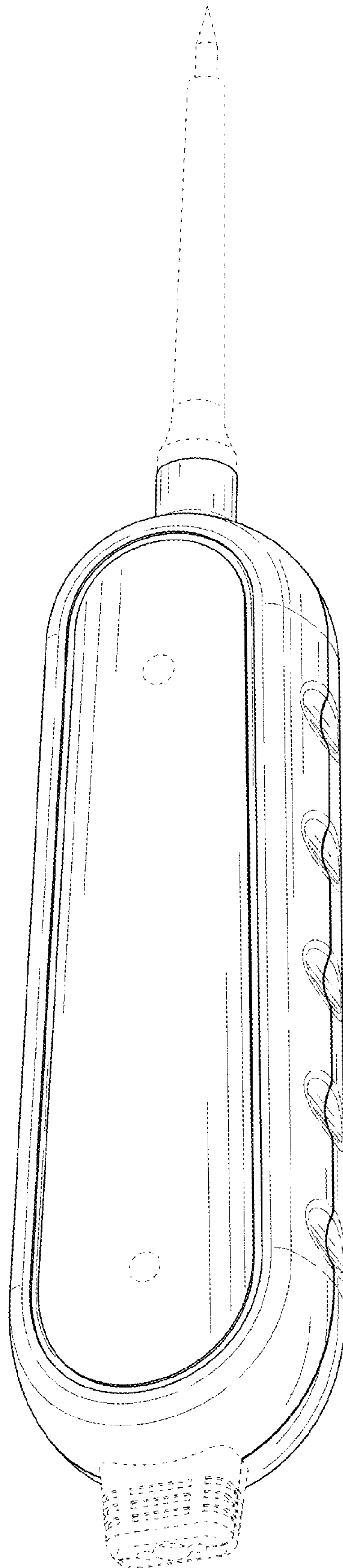


FIG. 2

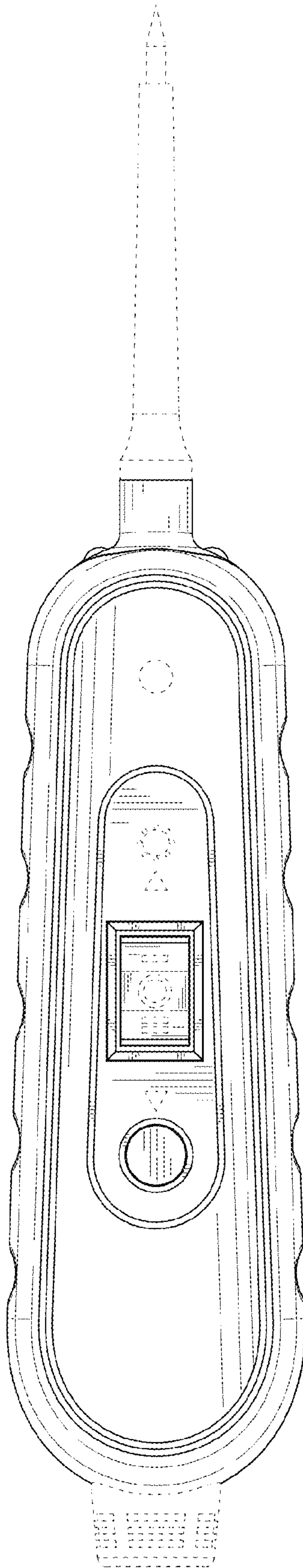


FIG. 3

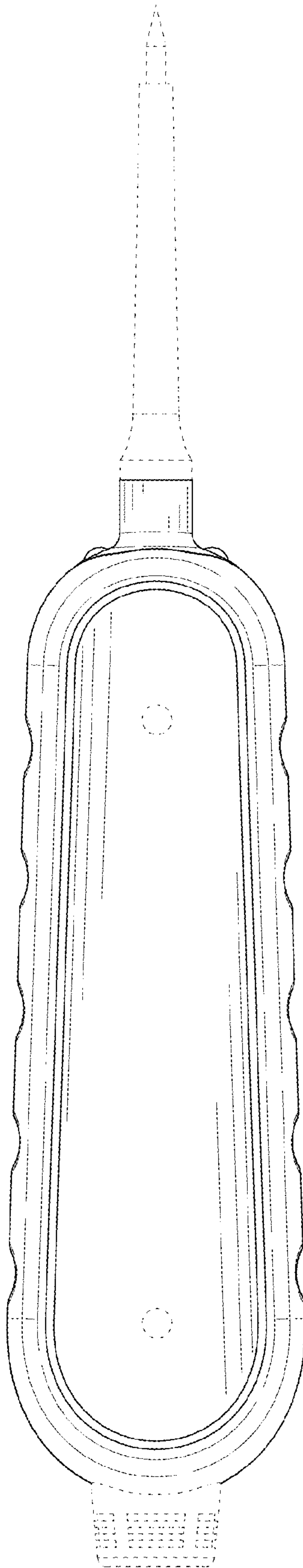


FIG. 4

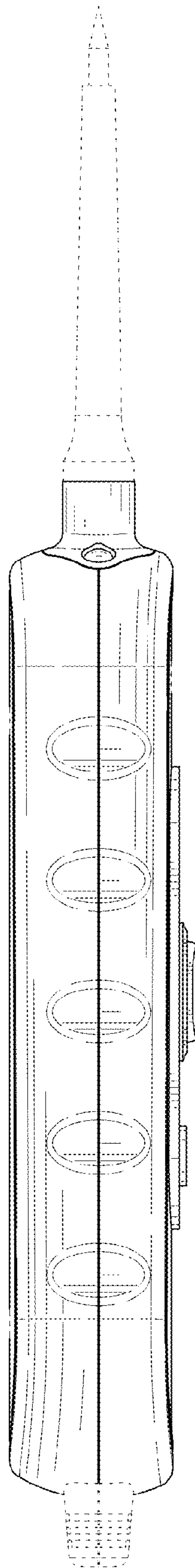


FIG. 5

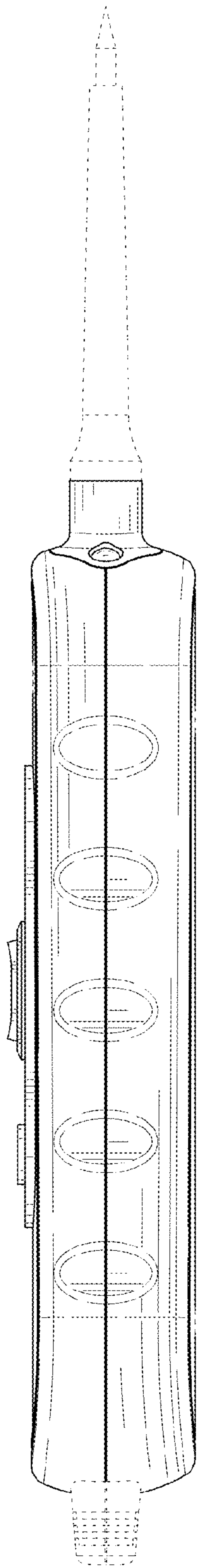


FIG. 6

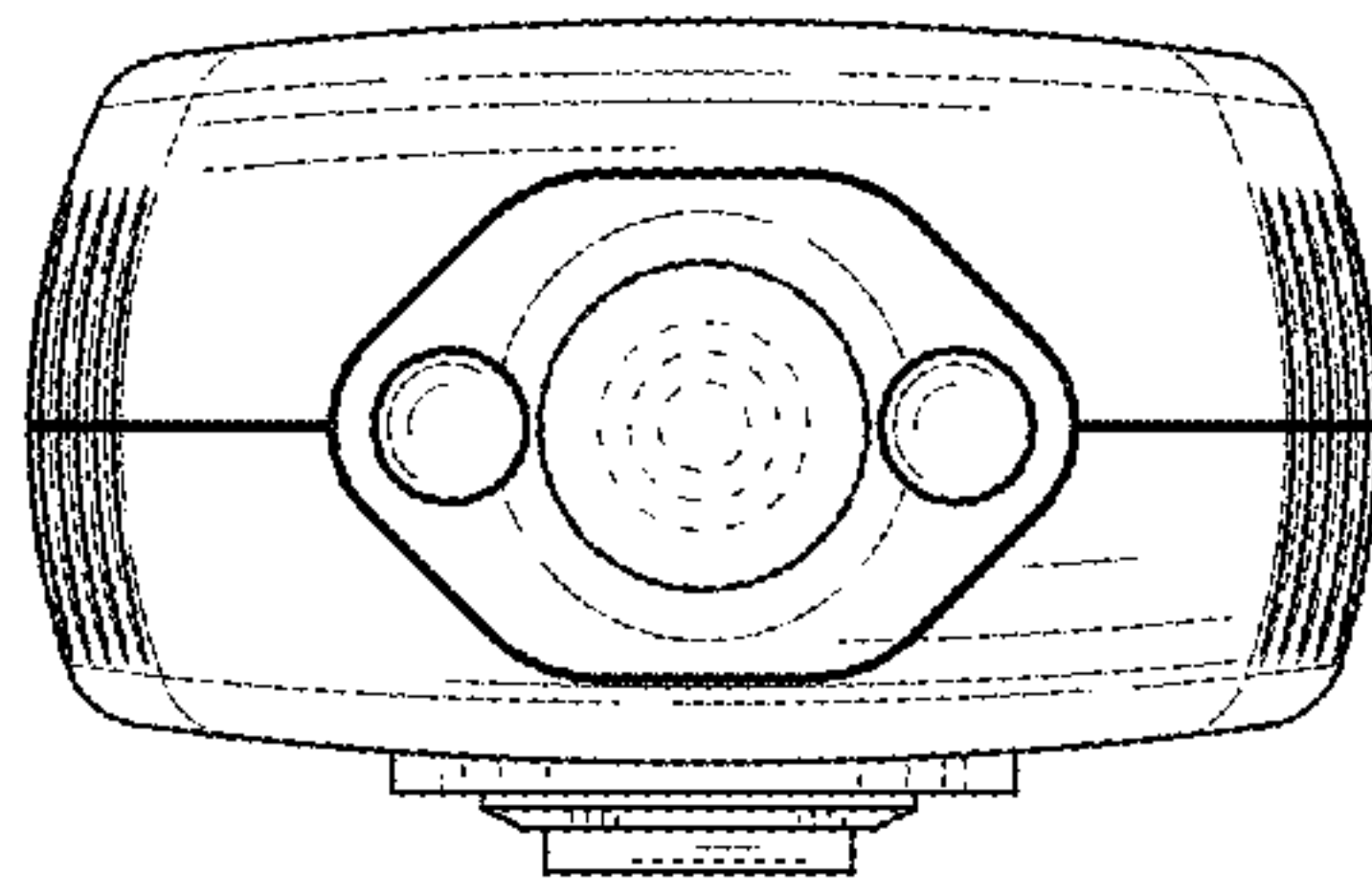


FIG. 7

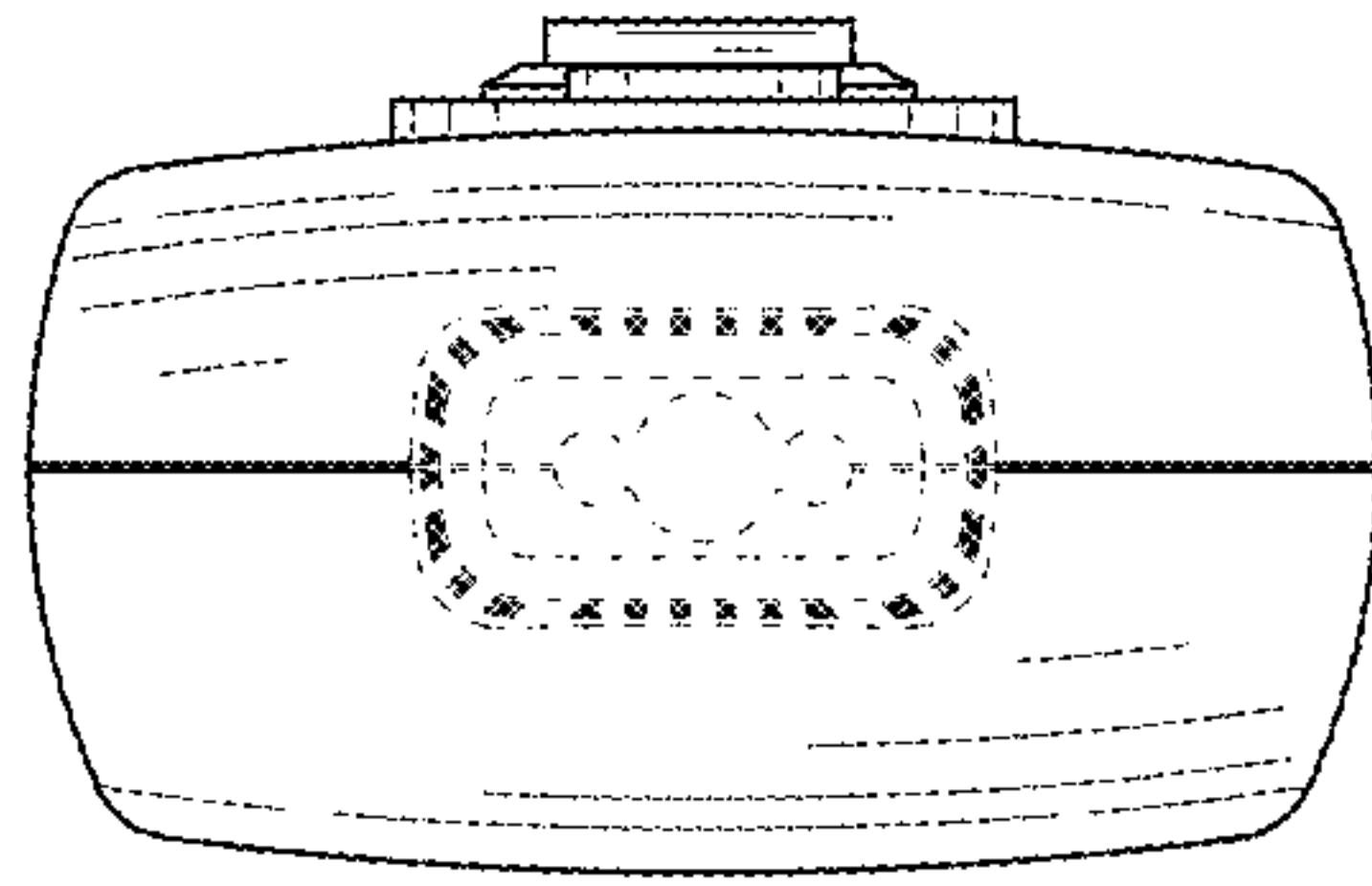


FIG. 8