



US00D981350S

(12) **United States Design Patent** (10) **Patent No.:** **US D981,350 S**
Lesesky et al. (45) **Date of Patent:** **** Mar. 21, 2023**

(54) **CONNECTOR COVER**
(71) Applicant: **Vehicle Enhancement Systems, Inc.**,
Rock Hill, SC (US)
(72) Inventors: **Alan C. Lesesky**, Charlotte, NC (US);
Ryan D. Parks, Rock Hill, SC (US)
(73) Assignee: **Vehicle Enhancement Systems, Inc.**,
Rock Hill, SC (US)
(**) Term: **15 Years**
(21) Appl. No.: **29/786,561**
(22) Filed: **Jun. 1, 2021**
(51) **LOC (14) Cl.** **13-03**
(52) **U.S. Cl.**
USPC **D13/156**
(58) **Field of Classification Search**
USPC D13/151, 154, 155, 156; D8/350, 352,
D8/351
See application file for complete search history.

5,641,306 A 6/1997 Stepniak
D382,542 S 8/1997 Nakamura
D390,193 S 2/1998 Ronchetti
5,743,763 A 4/1998 Giovanni
5,812,728 A 9/1998 Wanamaker
D403,659 S 1/1999 Lesesky
5,885,098 A * 3/1999 Witkowski H01R 13/6392
439/350
D415,999 S * 11/1999 Esposito D13/162
6,132,250 A * 10/2000 Shinozaki H01R 13/5216
439/942
D434,006 S 11/2000 Lesesky et al.
6,162,087 A * 12/2000 Hiura H01R 13/5213
174/152 G
6,533,465 B1 3/2003 Lesesky et al.
7,708,589 B2 * 5/2010 Shuey H01R 13/745
439/552
8,013,245 B2 * 9/2011 Korcz H02G 3/081
174/67
D646,227 S * 10/2011 Natoli D13/156

* cited by examiner

Primary Examiner — Jennifer O King
(74) *Attorney, Agent, or Firm* — Schwartz Law Firm, P.C.

(57) **CLAIM**

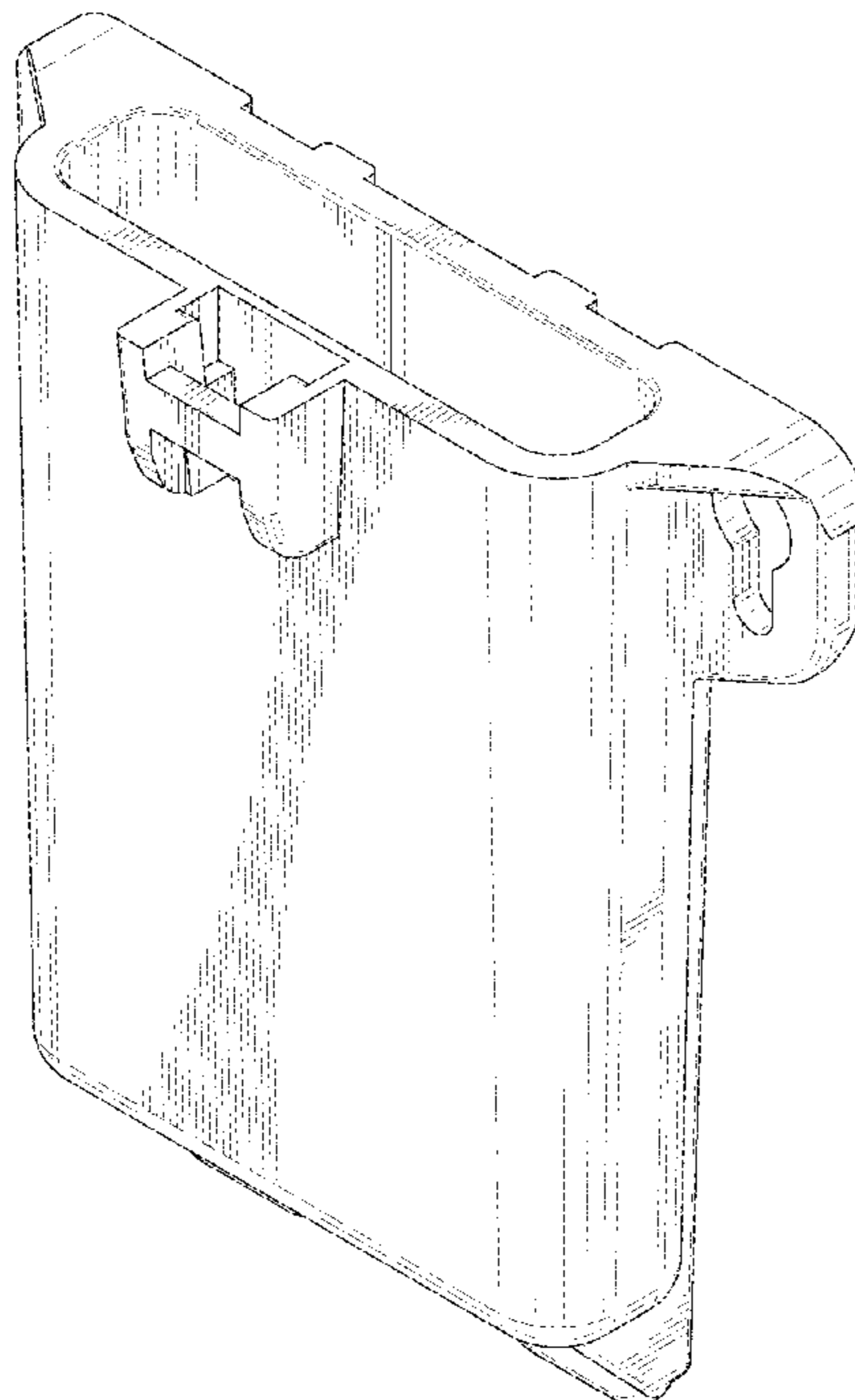
The ornamental design for a connector cover, as shown.

DESCRIPTION

FIG. 1 is a front perspective view of the connector cover;
FIG. 2 is a back perspective view thereof;
FIG. 3 is a top view thereof;
FIG. 4 is a right side view thereof;
FIG. 5 is a back view thereof;
FIG. 6 is a left side view thereof;
FIG. 7 is a top view thereof; and,
FIG. 8 is a bottom view thereof.

1 Claim, 8 Drawing Sheets

(56) **References Cited**
U.S. PATENT DOCUMENTS
3,409,858 A 11/1968 Krehbiel
D283,121 S * 3/1986 Oesterheld D13/134
4,808,115 A 2/1989 Norten et al.
4,940,423 A 7/1990 Aihara et al.
D313,005 S * 12/1990 Zimmerman D13/134
5,091,987 A 2/1992 MacCulloch et al.
5,140,659 A 8/1992 Minds et al.
5,195,904 A 3/1993 Cyvoct
D337,306 S * 7/1993 Nakata D13/146
5,302,141 A 4/1994 O'Reilly et al.
5,529,513 A 6/1996 Lee
5,574,815 A 11/1996 Kneeland



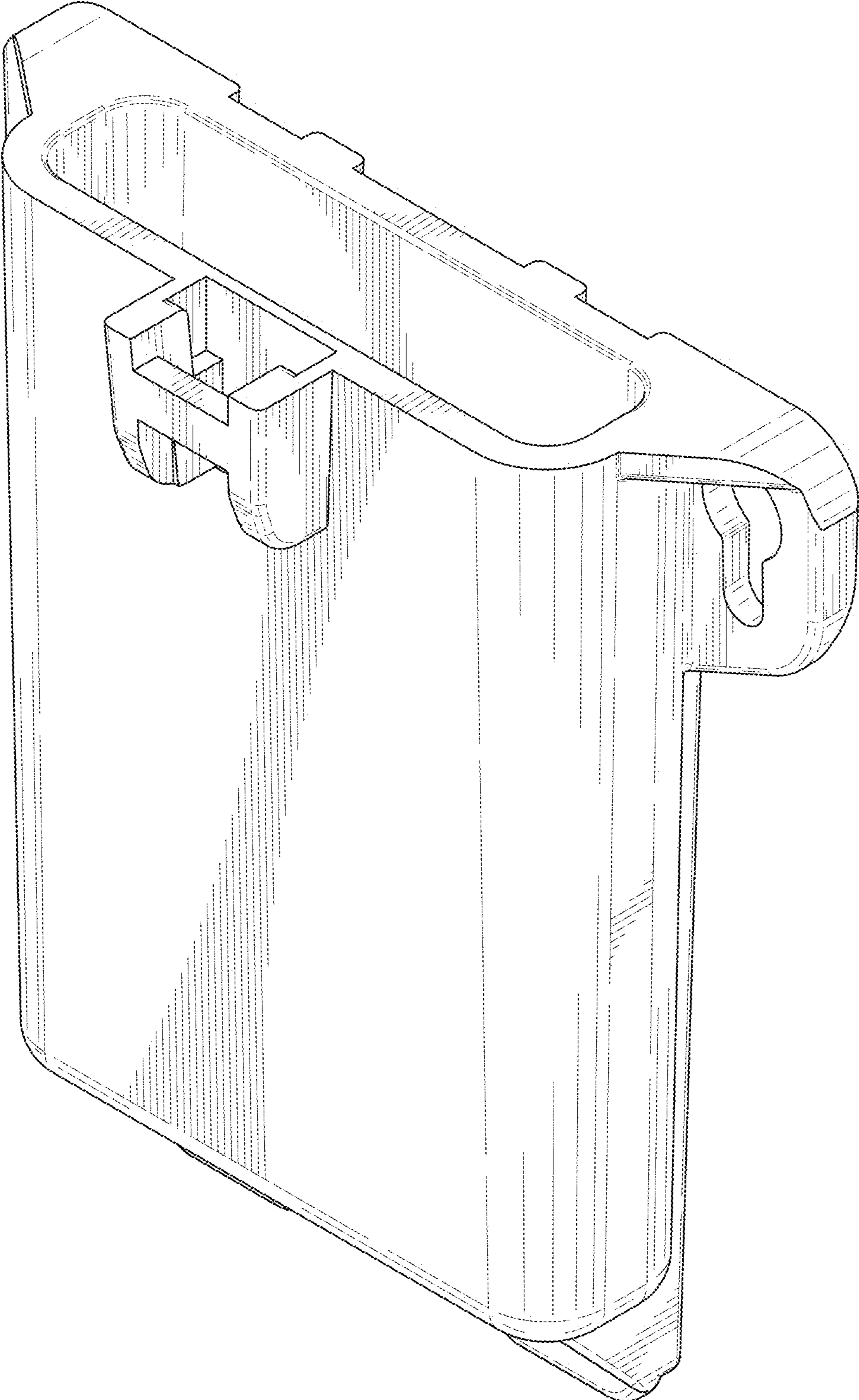


FIG. 1

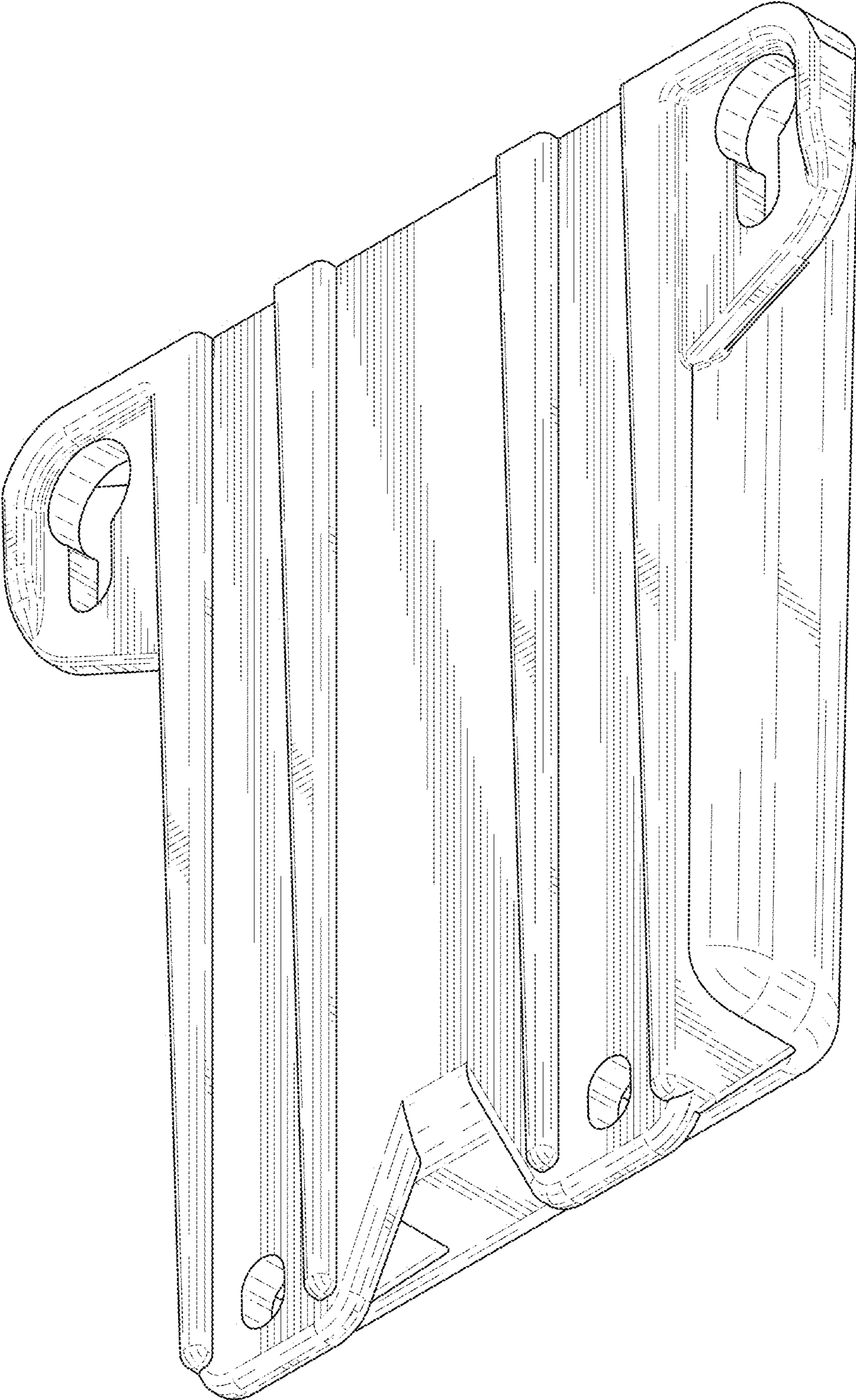


FIG. 2

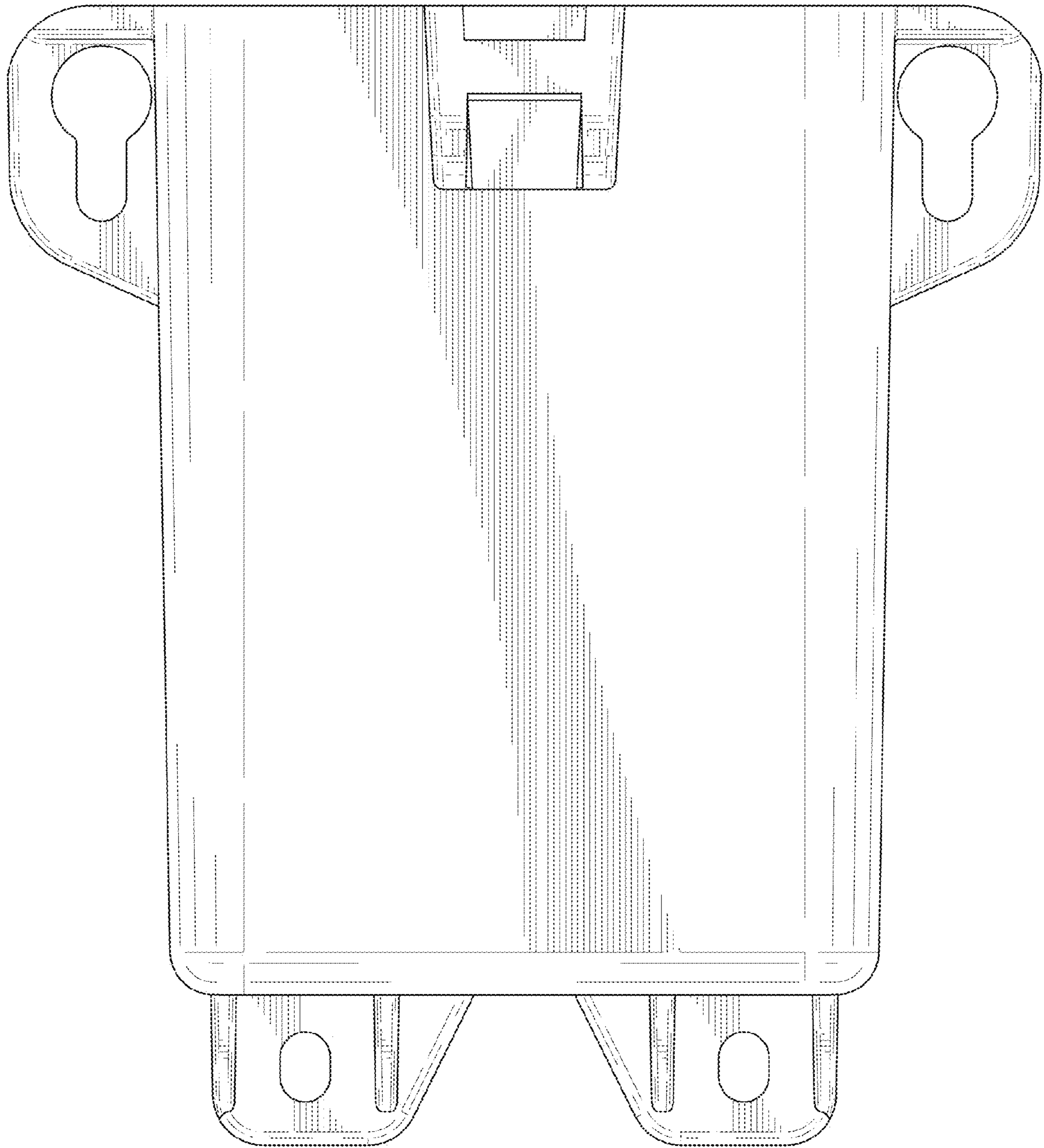


FIG. 3

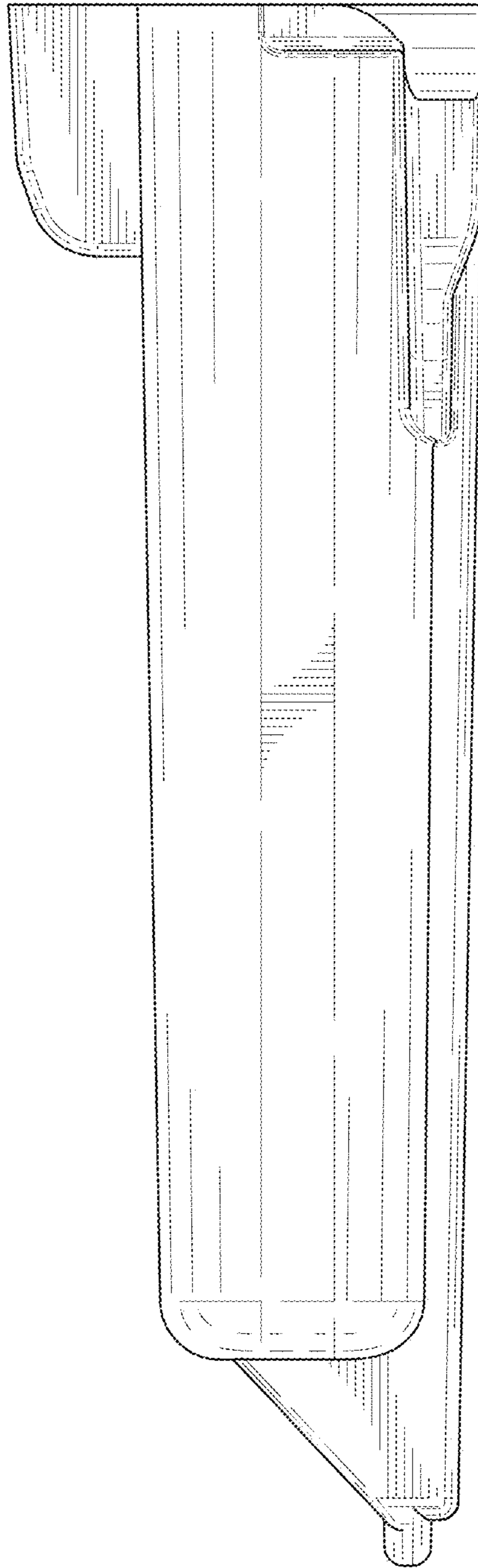


FIG. 4

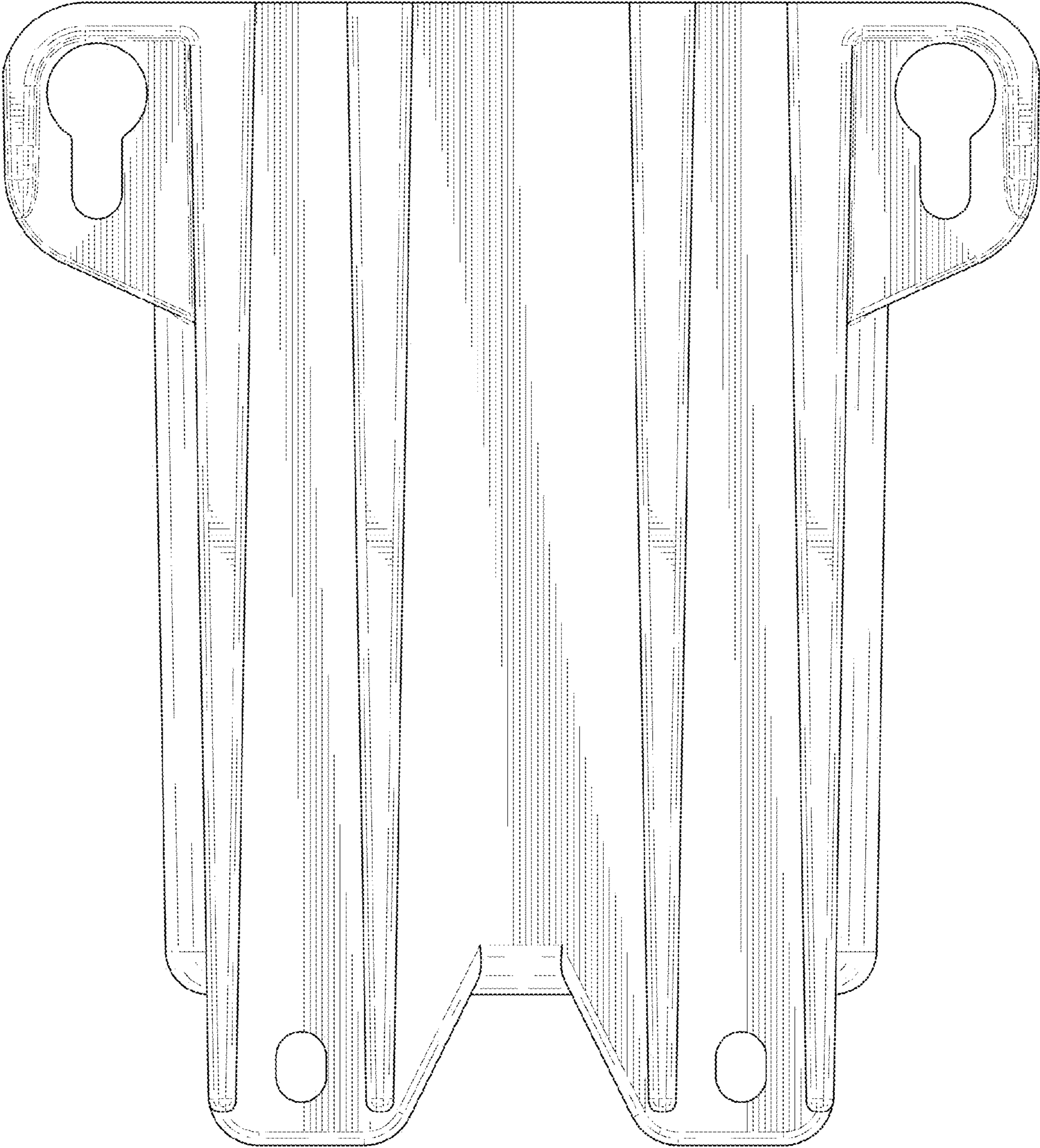


FIG. 5

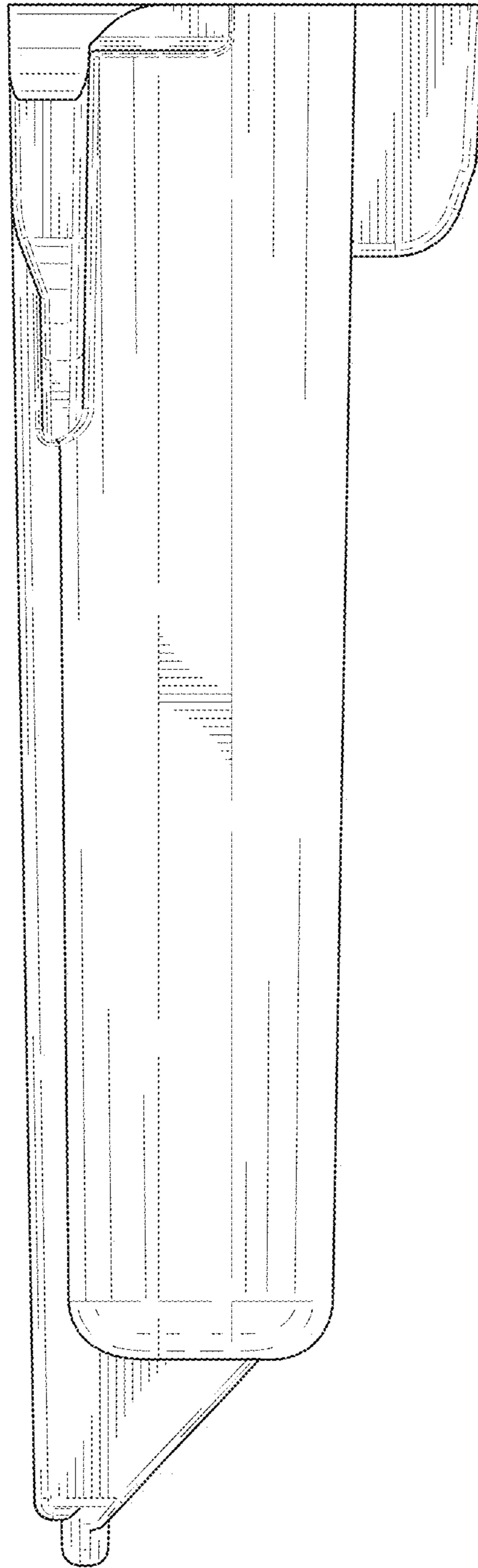


FIG. 6

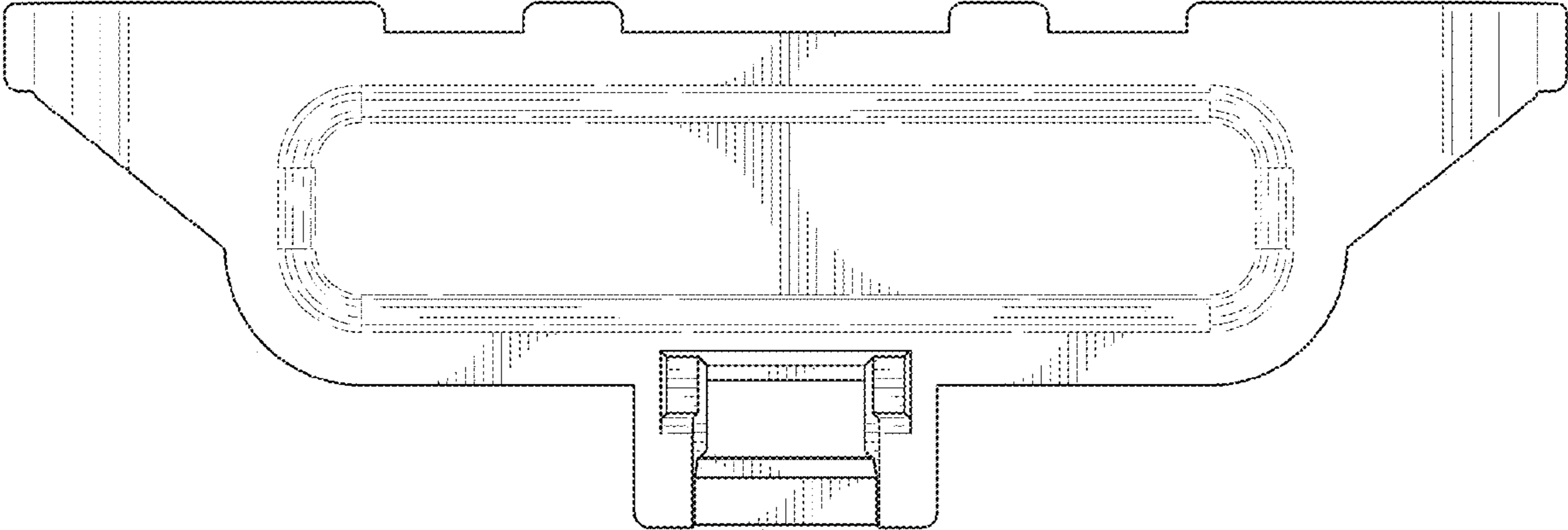


FIG. 7

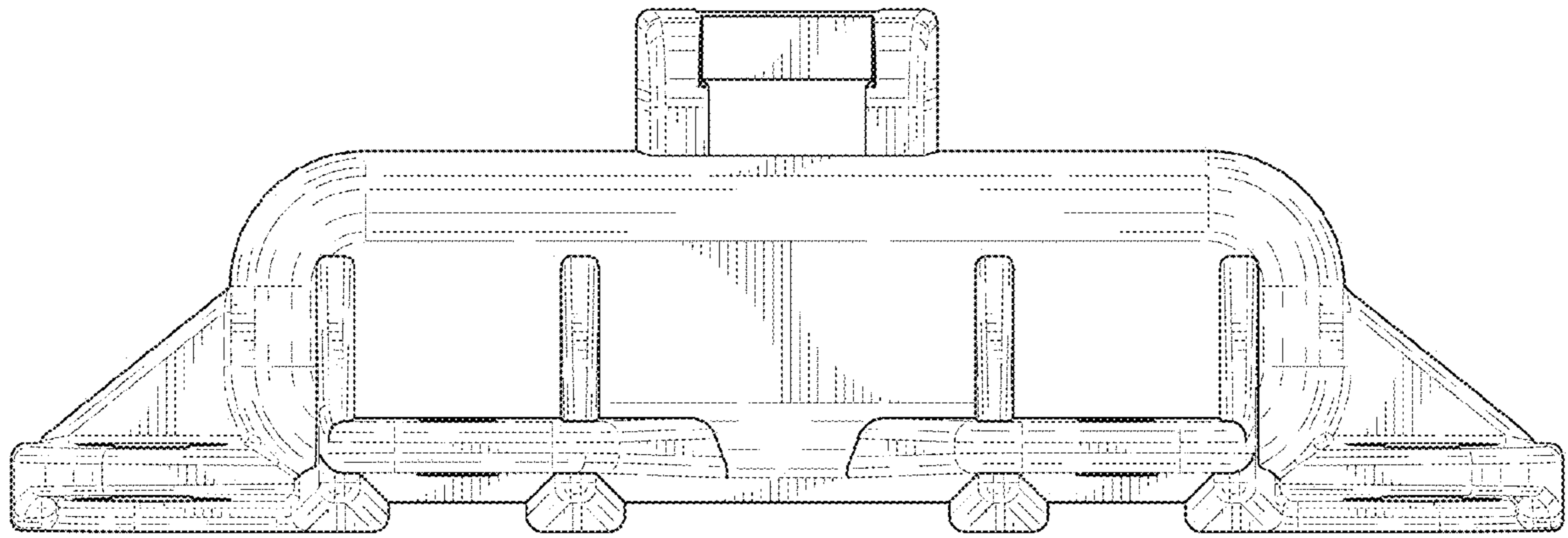


FIG. 8