



US00D981347S

(12) **United States Design Patent**
Lin

(10) **Patent No.:** **US D981,347 S**
(45) **Date of Patent:** **** Mar. 21, 2023**

(54) **NETWORK CABLE PLUG**

(71) Applicant: **JYH ENG TECHNOLOGY CO., LTD.**, New Taipei (TW)

(72) Inventor: **Yen-Lin Lin**, New Taipei (TW)

(73) Assignee: **JYH ENG TECHNOLOGY CO., LTD.**, New Taipei (TW)

(**) Term: **15 Years**

(21) Appl. No.: **29/771,555**

(22) Filed: **Feb. 24, 2021**

(51) **LOC (14) Cl.** **13-03**

(52) **U.S. Cl.**
USPC **D13/133**

(58) **Field of Classification Search**

USPC D13/123, 133, 146-147, 153, 154, 157;
D14/256, 433

CPC G02B 6/42; G02B 6/3825; G02B 6/3875;
G02B 6/3879; G02B 6/3885; G02B
6/3893; G02B 6/3895; G02B 6/4416;
H01R 12/75; H01R 2201/04; H01R
2201/06; H01R 25/00; H01B 7/365;
Y10S 439/955; Y10T 29/49169; Y10T
29/49222

See application file for complete search history.

FOREIGN PATENT DOCUMENTS

CN 203720408 U * 7/2014
CN 216351352 U * 4/2022
DE 202014101573 U1 * 7/2014 G02B 6/3879

OTHER PUBLICATIONS

FiberCablesDirect, Date: Oct. 11, 2015, [online], [site visited Aug. 5, 2022]. Available from internet, URL: <https://www.amazon.com/dp/B016HS76K0/> (Year: 2015).*

* cited by examiner

Primary Examiner — Shawn T Gingrich

Assistant Examiner — Bryan N. Melvin

(74) *Attorney, Agent, or Firm* — Fei-hung Yang

(57) **CLAIM**

The ornamental design for a network cable plug, as shown and described.

(56) **References Cited**

U.S. PATENT DOCUMENTS

D434,376	S	*	11/2000	Connelly	D13/133
D481,680	S	*	11/2003	Cheng	D13/133
D523,396	S	*	6/2006	Shiraishi	D13/133
D676,384	S	*	2/2013	Yang	D13/133
D680,075	S	*	4/2013	Yang	D13/133
D705,169	S	*	5/2014	Yamauchi	D13/133
D705,731	S	*	5/2014	Zhong	D13/133
D815,043	S	*	4/2018	Wu	D13/133
D879,039	S	*	3/2020	Wu	D13/133
2014/0321808	A1	*	10/2014	Irwin	G02B 6/3879 385/56
2015/0205056	A1	*	7/2015	Lin	G02B 6/4416 385/76
2015/0212282	A1	*	7/2015	Lin	G02B 6/3893 385/76
2016/0154190	A1	*	6/2016	Lin	G02B 6/3893 385/76

DESCRIPTION

FIG. 1 is a perspective view of a network cable plug showing my new design;

FIG. 2 is a front elevational view thereof;

FIG. 3 is an enlarged front view thereof;

FIG. 4 is a rear elevational view thereof;

FIG. 5 is an enlarged rear view thereof;

FIG. 6 is a left side view thereof;

FIG. 7 is a right side view thereof;

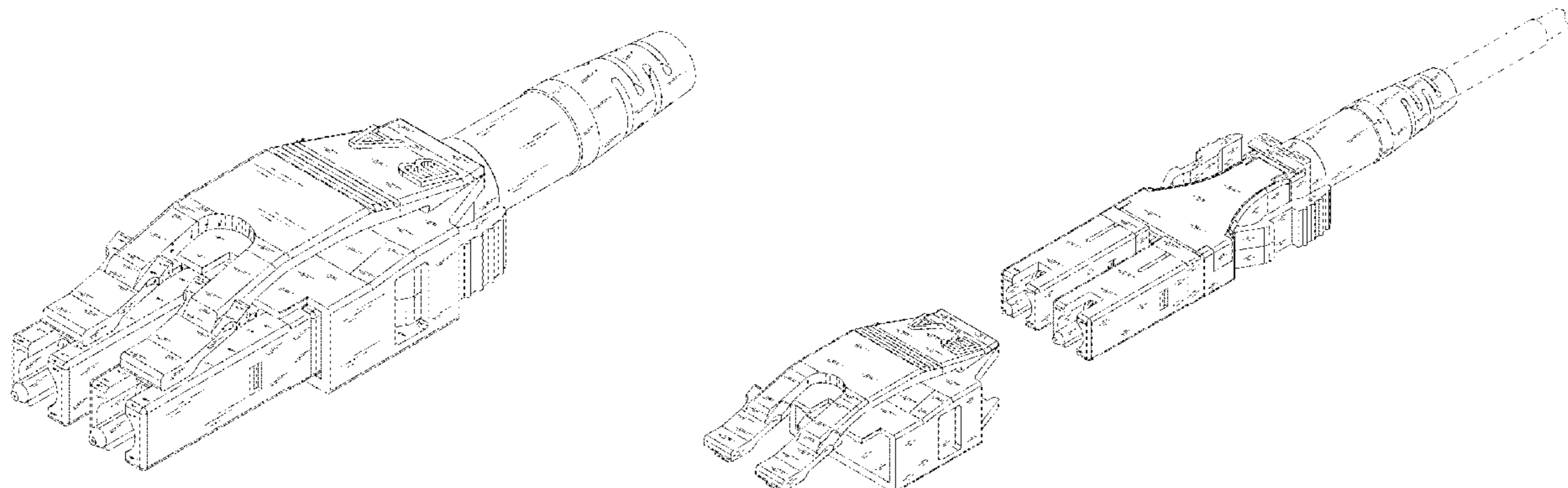
FIG. 8 is a top plan view thereof;

FIG. 9 is a bottom plan view thereof; and,

FIG. 10 is an exploded view thereof.

The broken lines in the drawings illustrate environmental features and portions of a network cable plug that form no part of the claimed design.

1 Claim, 10 Drawing Sheets



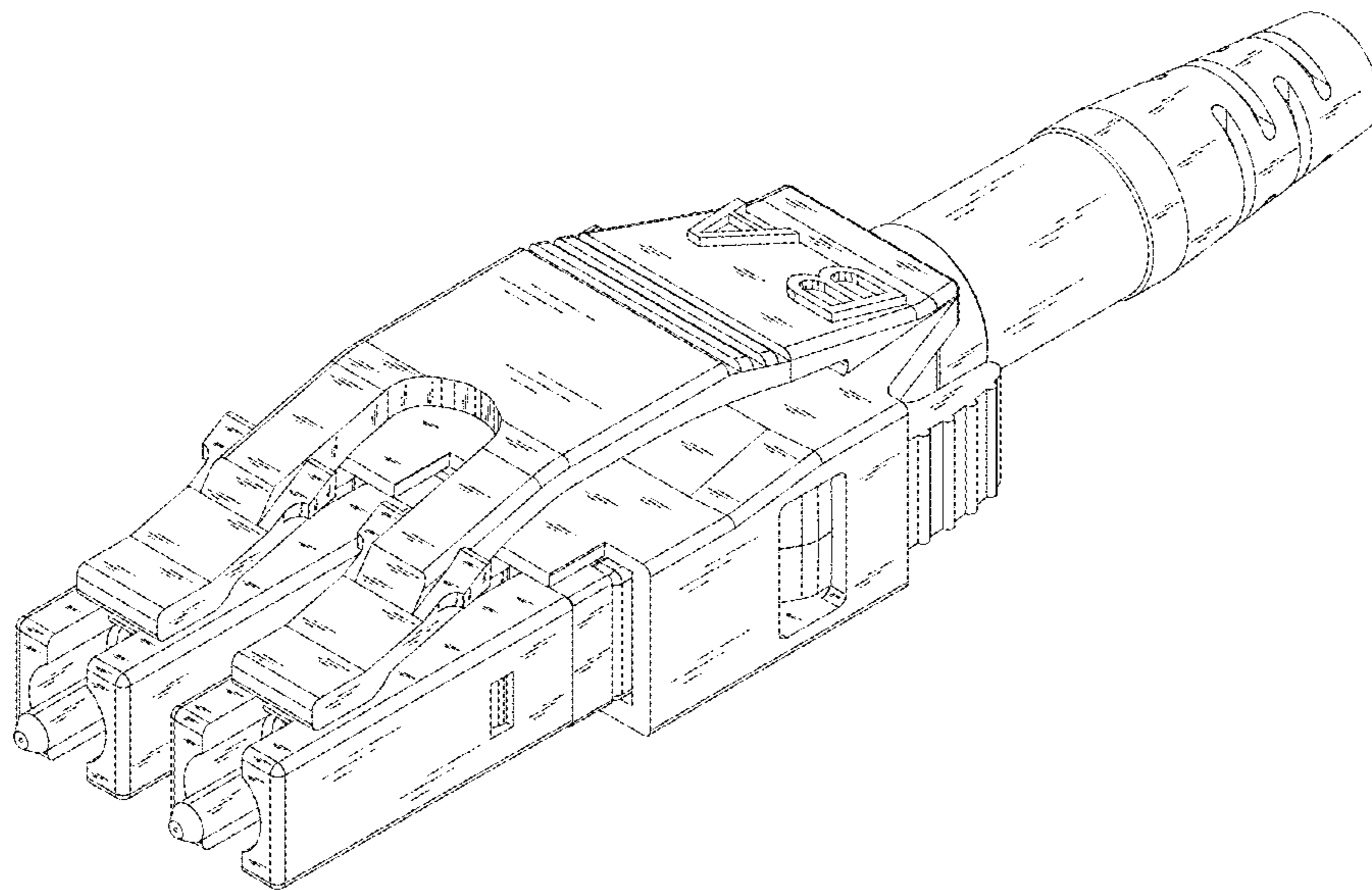


Fig. 1

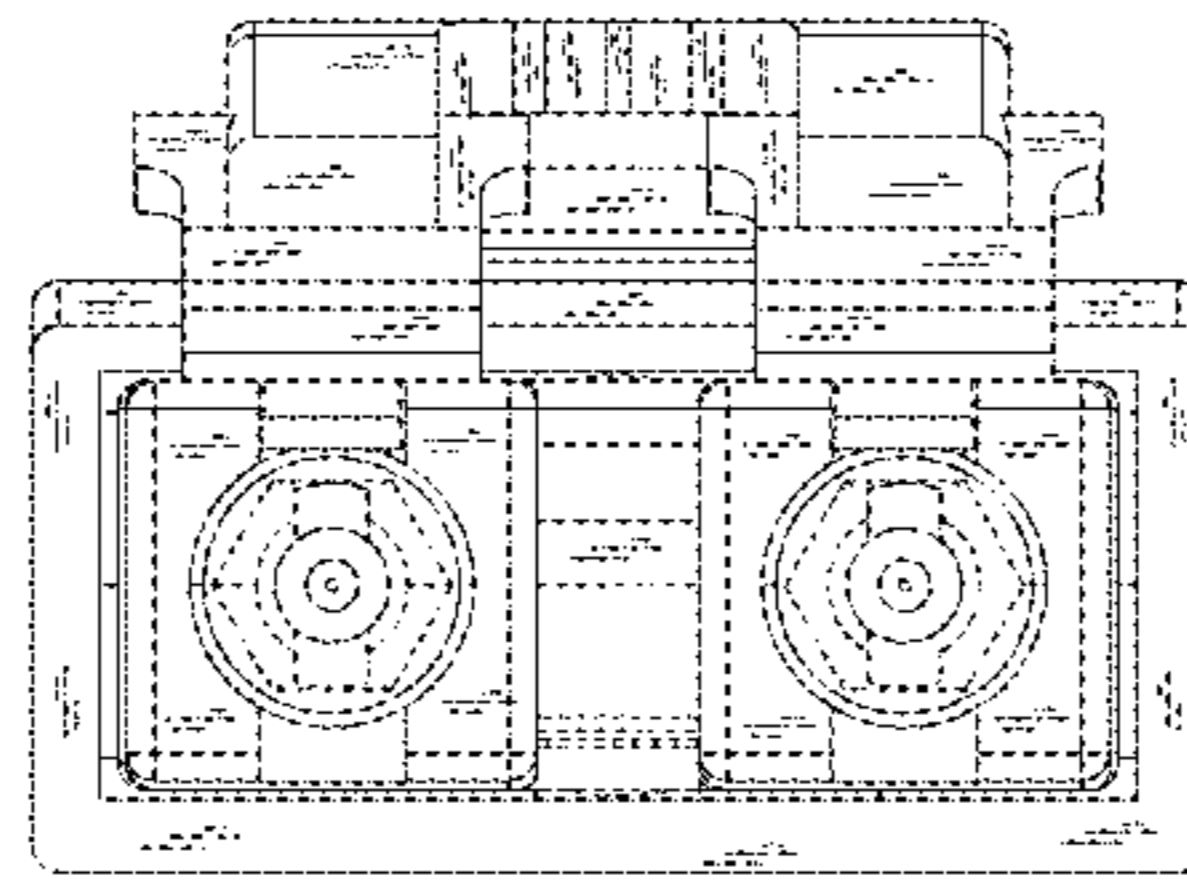


Fig. 2

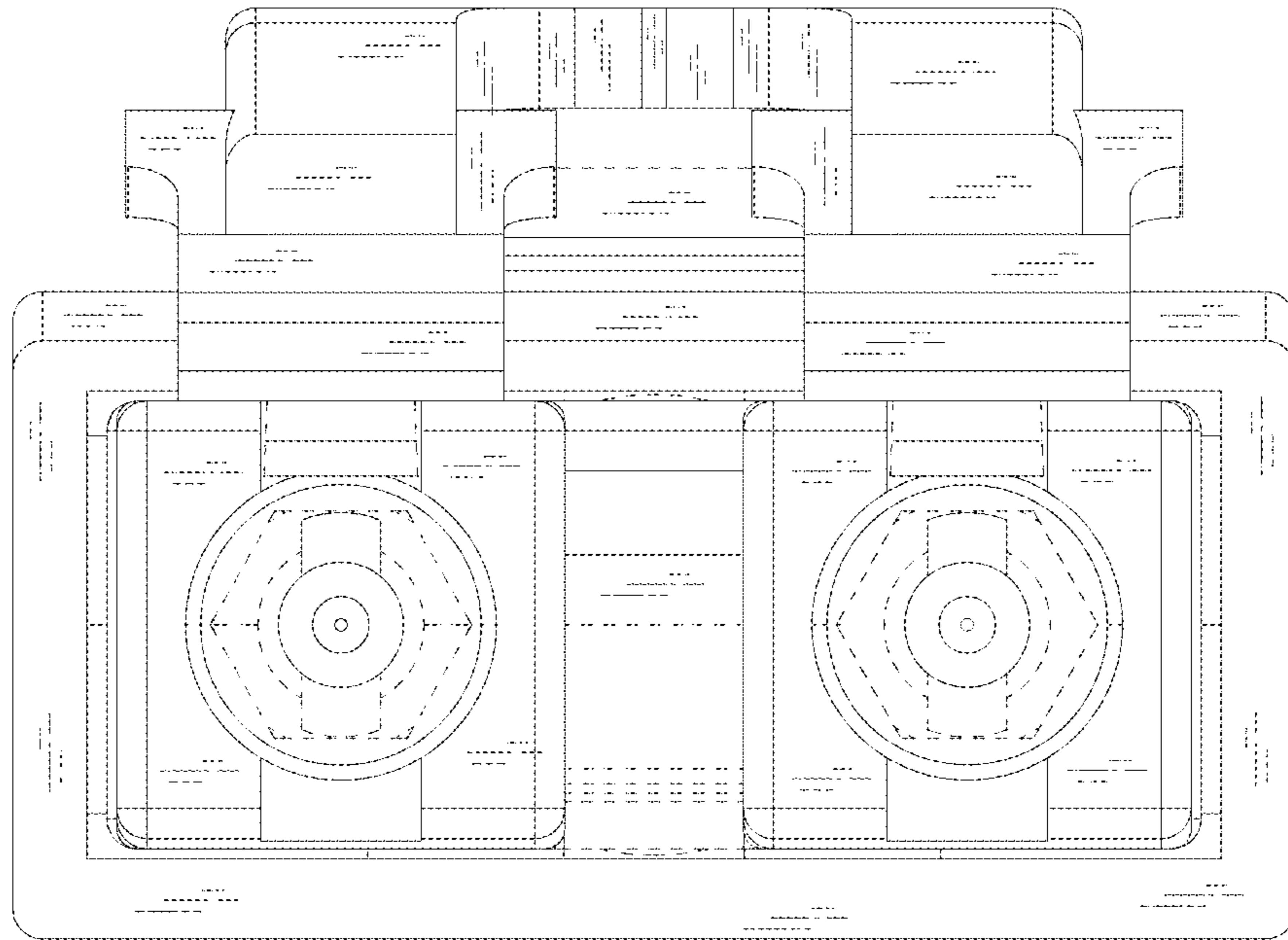


Fig. 3

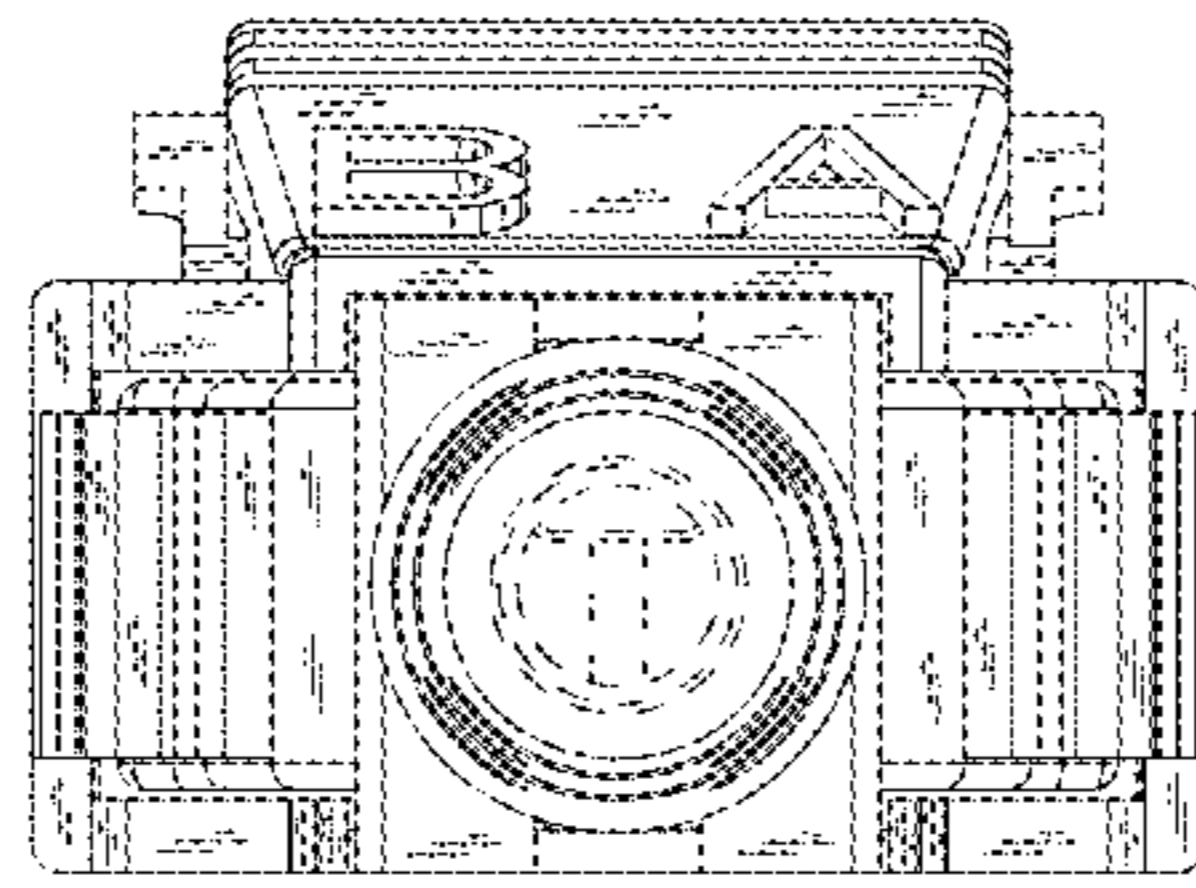


Fig. 4

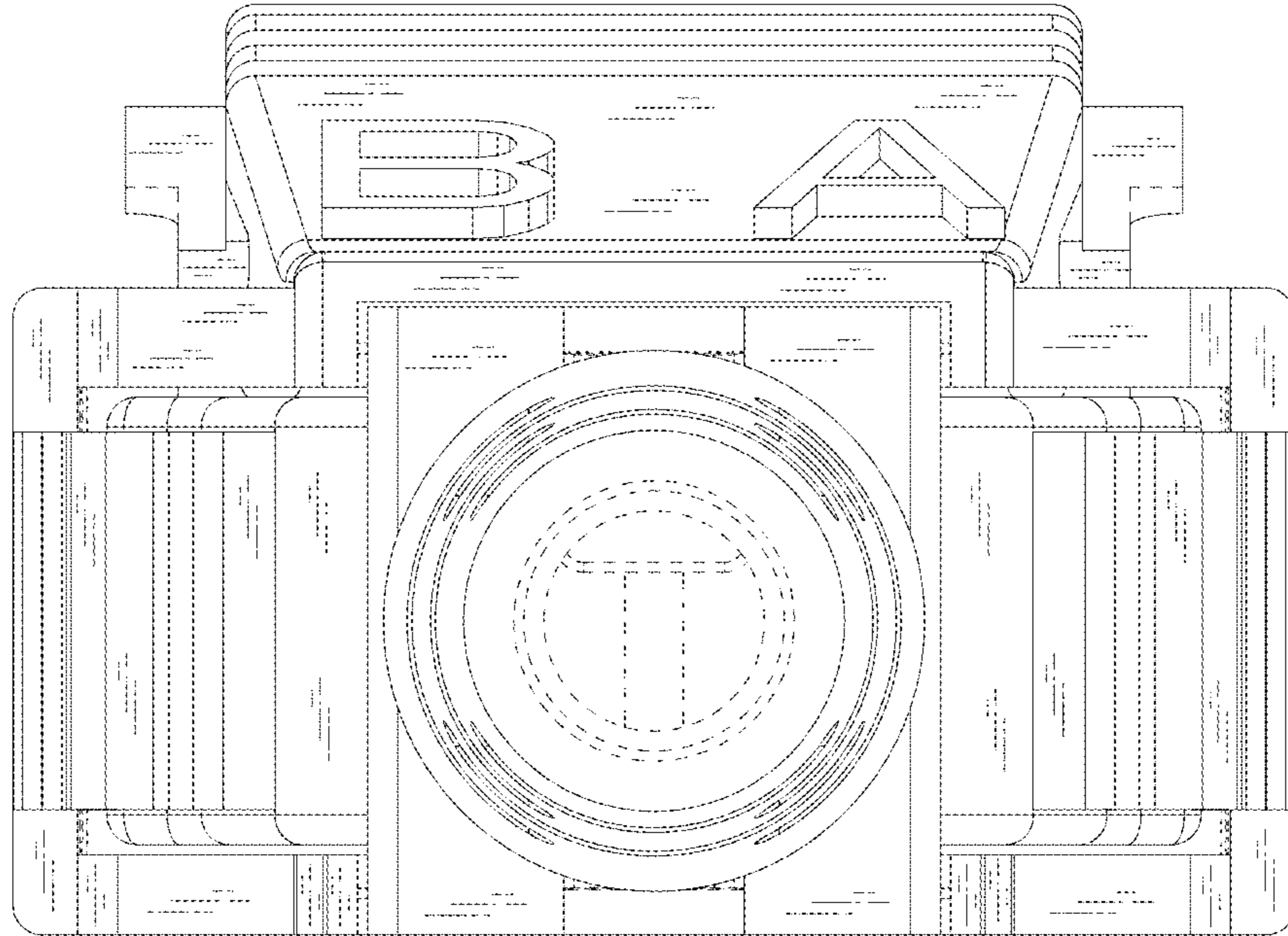


Fig. 5

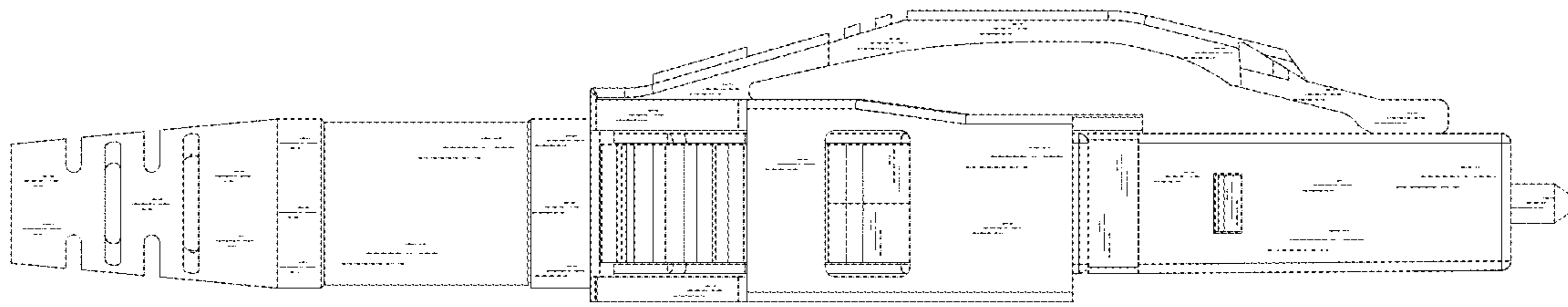


Fig. 6

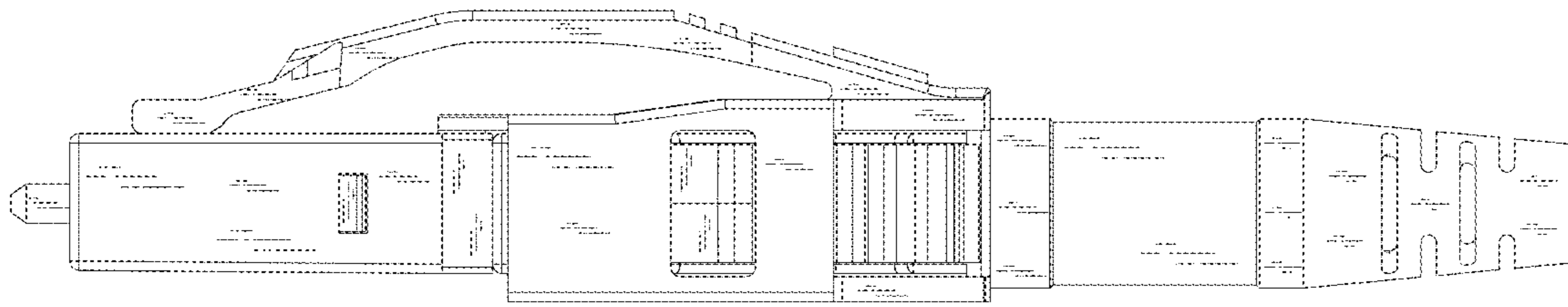


Fig. 7

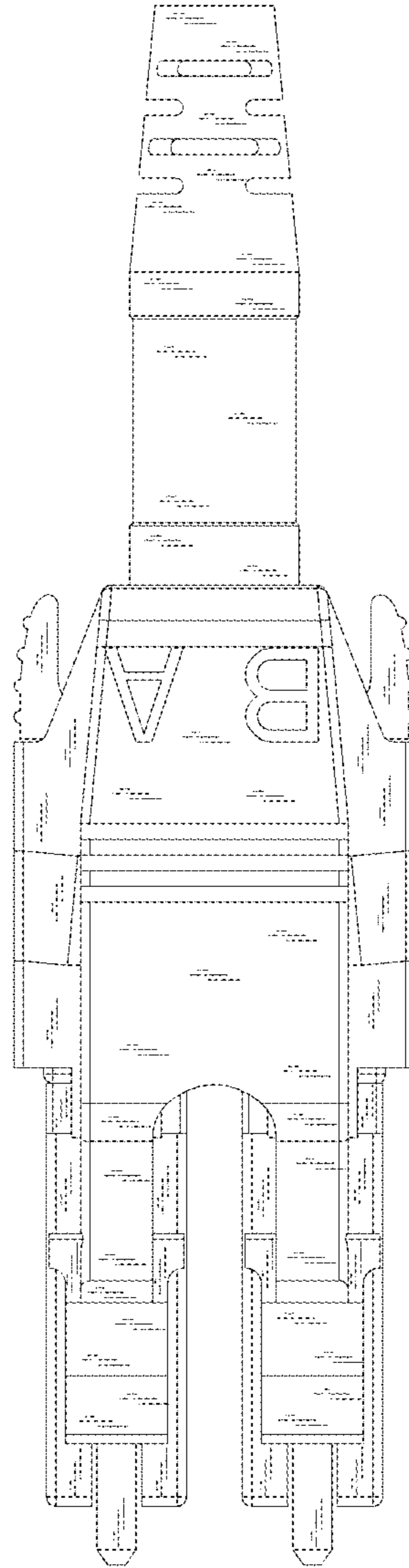


Fig. 8

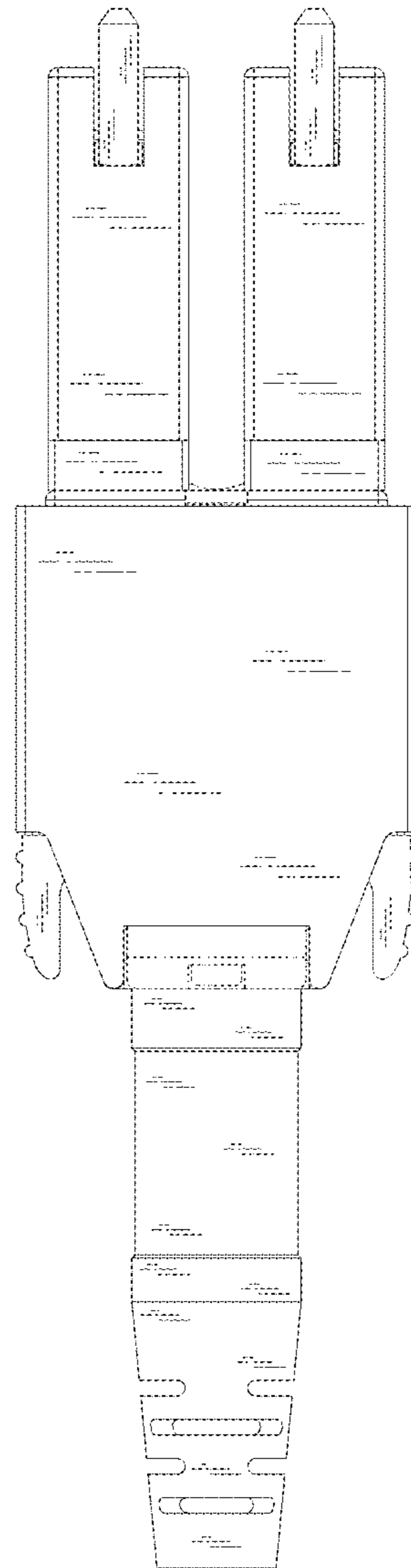


Fig. 9

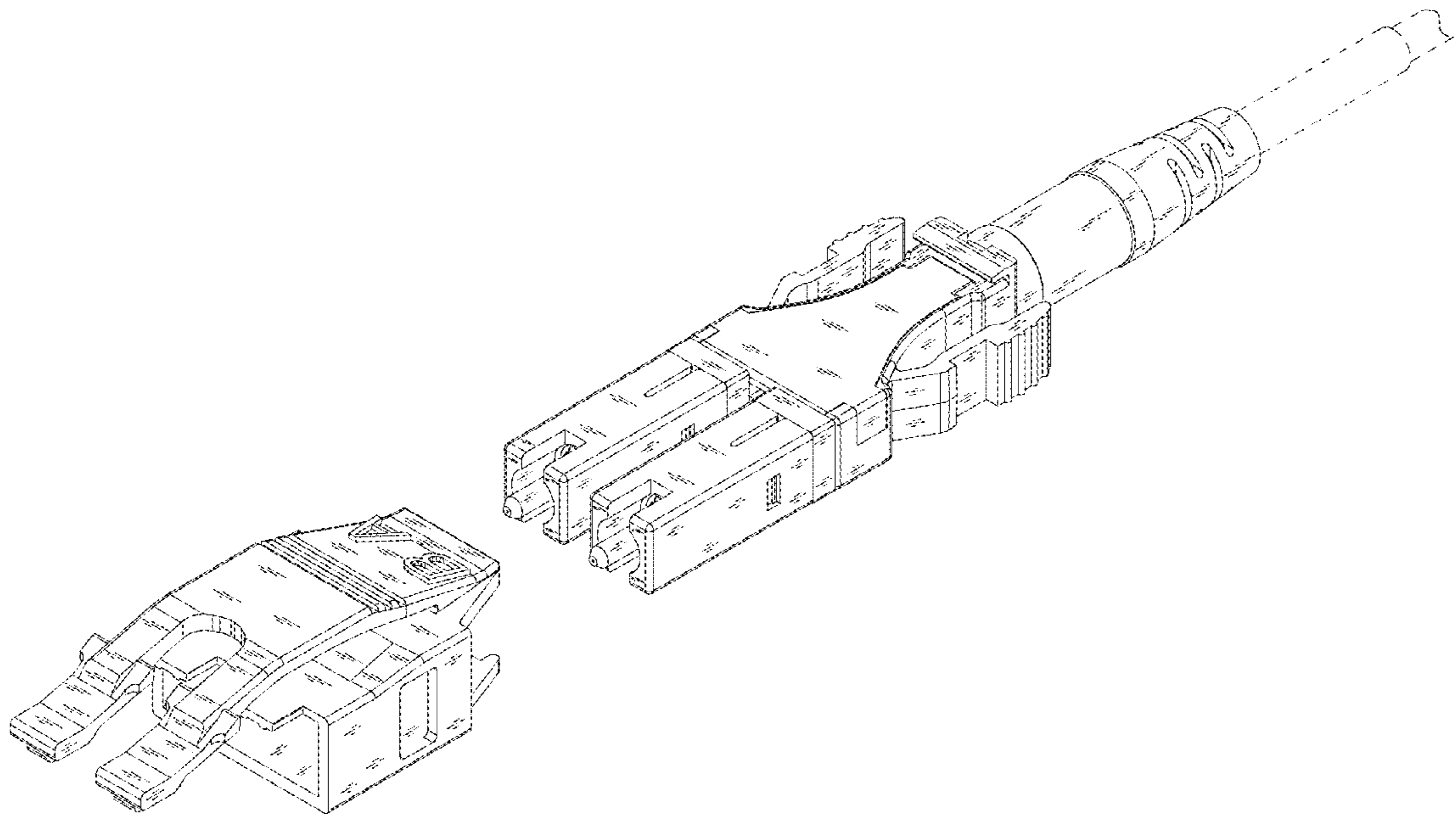


Fig. 10