



US00D981346S

(12) **United States Design Patent**
Greiser et al.

(10) **Patent No.:** **US D981,346 S**
(45) **Date of Patent:** **** Mar. 21, 2023**

(54) **ELECTRIC POWER DISTRIBUTION DEVICE**

(71) Applicant: **Beckhoff Automation GmbH, Verl**
(DE)

(72) Inventors: **Frank Greiser**, Rheda-Wiedenbrück
(DE); **Hans Beckhoff**, Verl (DE)

(73) Assignee: **Beckhoff Automation GmbH, Verl**
(DE)

(**) Term: **15 Years**

(21) Appl. No.: **35/515,144**

(22) Filed: **May 18, 2022**

(80) **Hague Agreement Data**

Int. Filing Date: **May 18, 2022**
Int. Reg. No.: **DM/223235**
Int. Reg. Date: **May 18, 2022**
Int. Reg. Pub. Date: **Sep. 16, 2022**

(30) **Foreign Application Priority Data**

Nov. 19, 2021 (EM) 008768477-0008

(51) **LOC (14) Cl.** **13-02**

(52) **U.S. Cl.**
USPC **D13/123**

(58) **Field of Classification Search**
USPC D13/107, 109, 110, 123; D14/140.2,
D14/349, 350
CPC G06F 1/266
See application file for complete search history.

(56) **References Cited**

U.S. PATENT DOCUMENTS

D228,136 S * 8/1973 Portugal D13/123
5,622,506 A * 4/1997 Hornig H05K 7/026
439/74

D395,279 S * 6/1998 Peress D13/107
D622,659 S * 8/2010 Soeda D13/103
D743,399 S * 11/2015 Frank D14/480.1
D856,931 S * 8/2019 Takahashi D13/162.1
2002/0058183 A1* 5/2002 Ono H01M 50/141
429/185
2021/0298189 A1* 9/2021 Siegenbrink H05K 7/1465

FOREIGN PATENT DOCUMENTS

EM D221810-008 * 7/2022
EM D223145-001 * 9/2022

* cited by examiner

Primary Examiner — S. Bryan Reinholdt, Jr.

(74) *Attorney, Agent, or Firm* — Dorsey & Whitney LLP

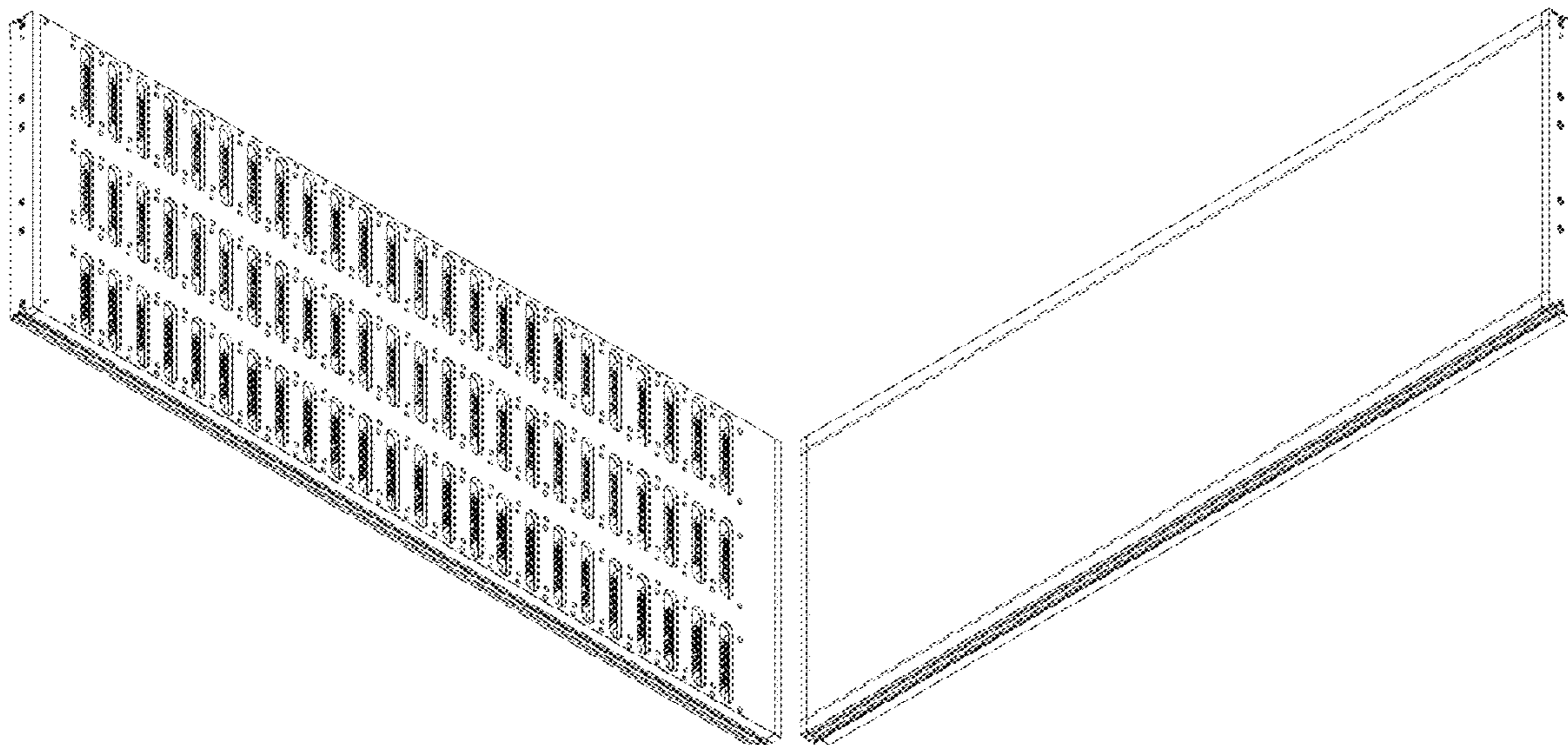
(57) **CLAIM**

The ornamental design for an electric power distribution device, as shown and described.

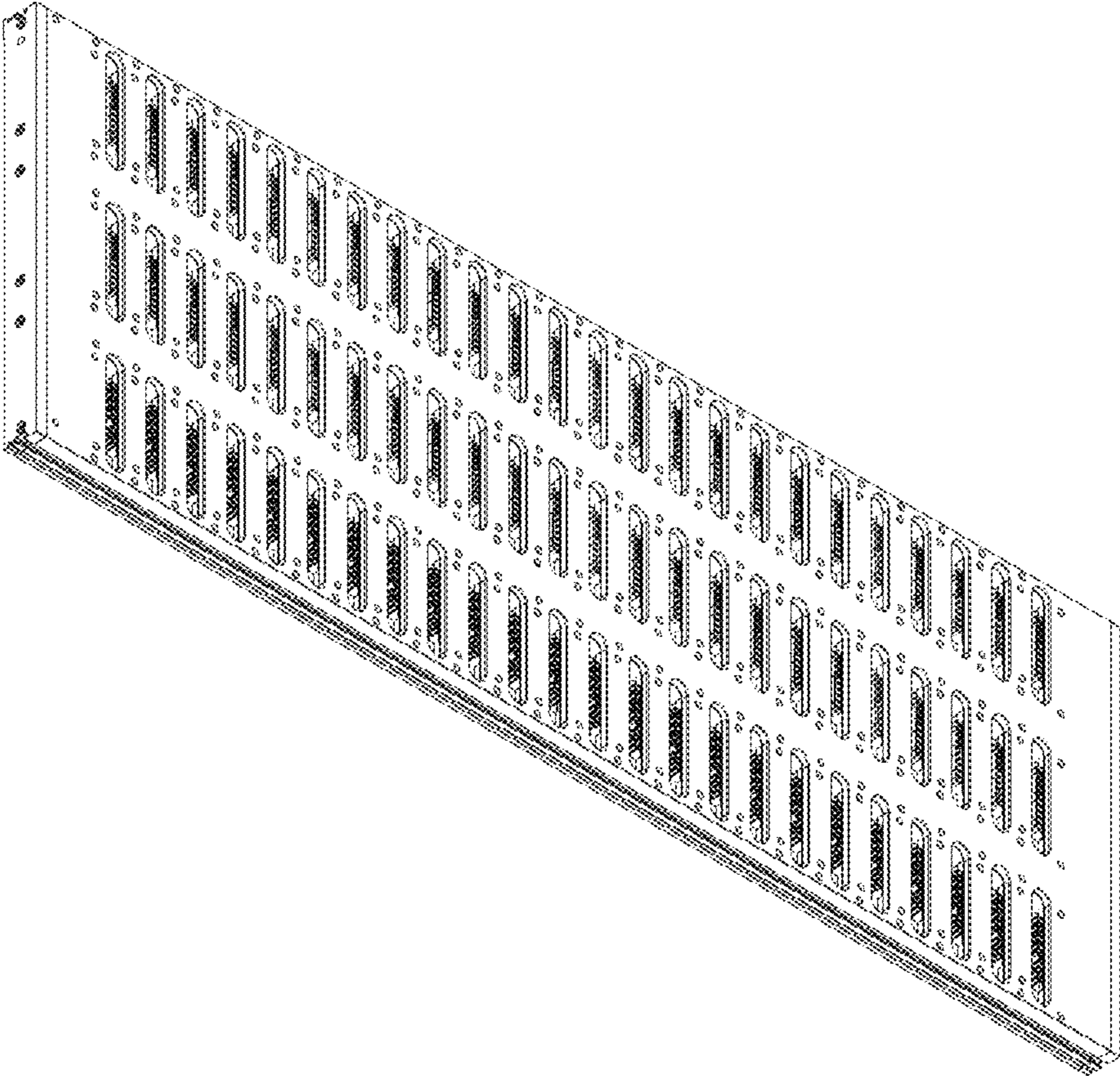
DESCRIPTION

1. Electric power distribution device
- 1.1: Perspective top view of an electric power distribution device;
- 1.2: Perspective rear view of the electric power distribution device of 1.1;
- 1.3: Right view of the electric power distribution device of 1.1;
- 1.4: Front view of the electric power distribution device of 1.1;
- 1.5: Back view of the electric power distribution device of 1.1;
- 1.6: Top view of the electric power distribution device of 1.1;
- 1.7: Rear view of the electric power distribution device of 1.1;
- 1.8: Left view of the electric power distribution device of 1.1.

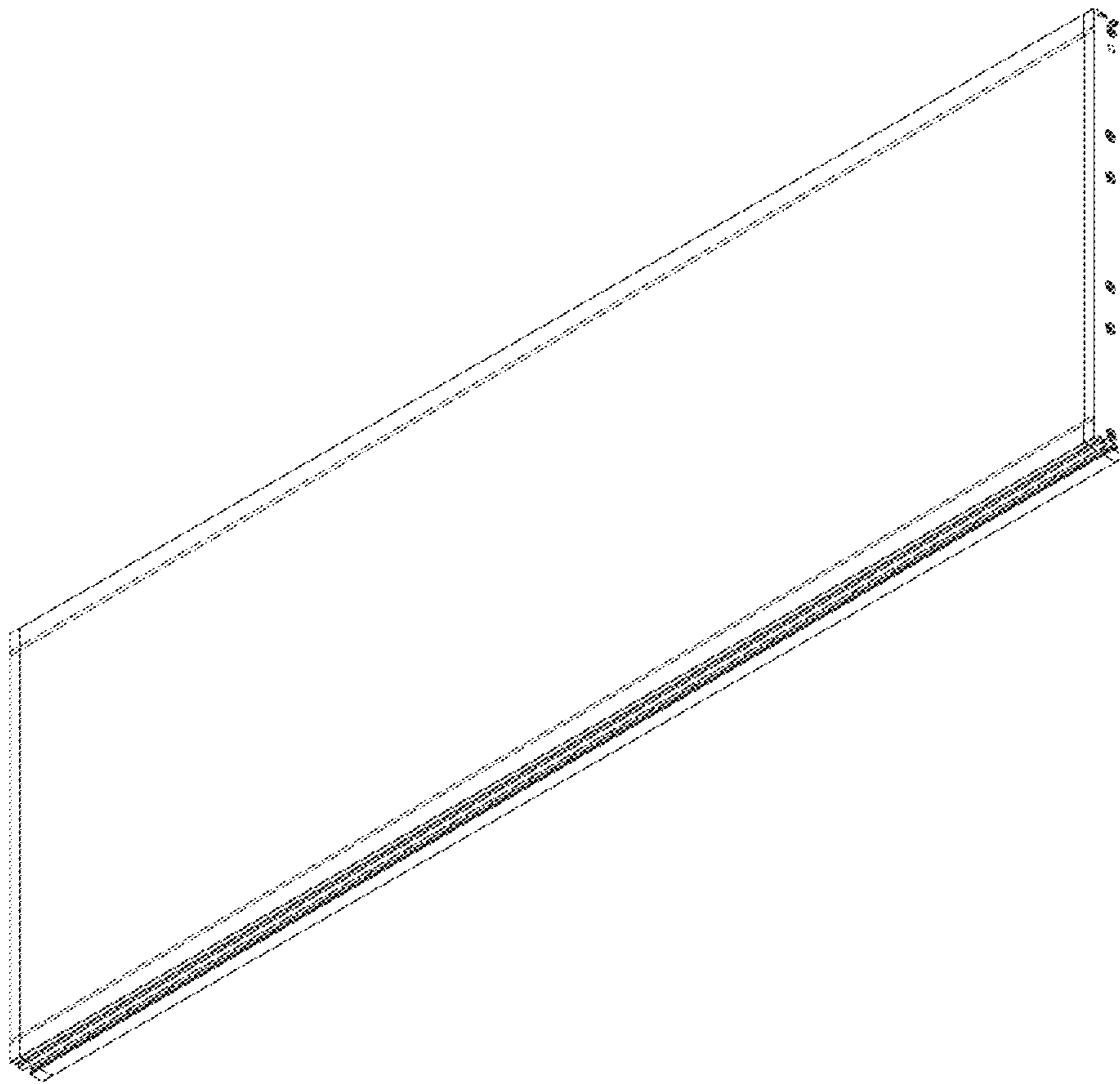
1 Claim, 8 Drawing Sheets



1.1



1.2



1.3



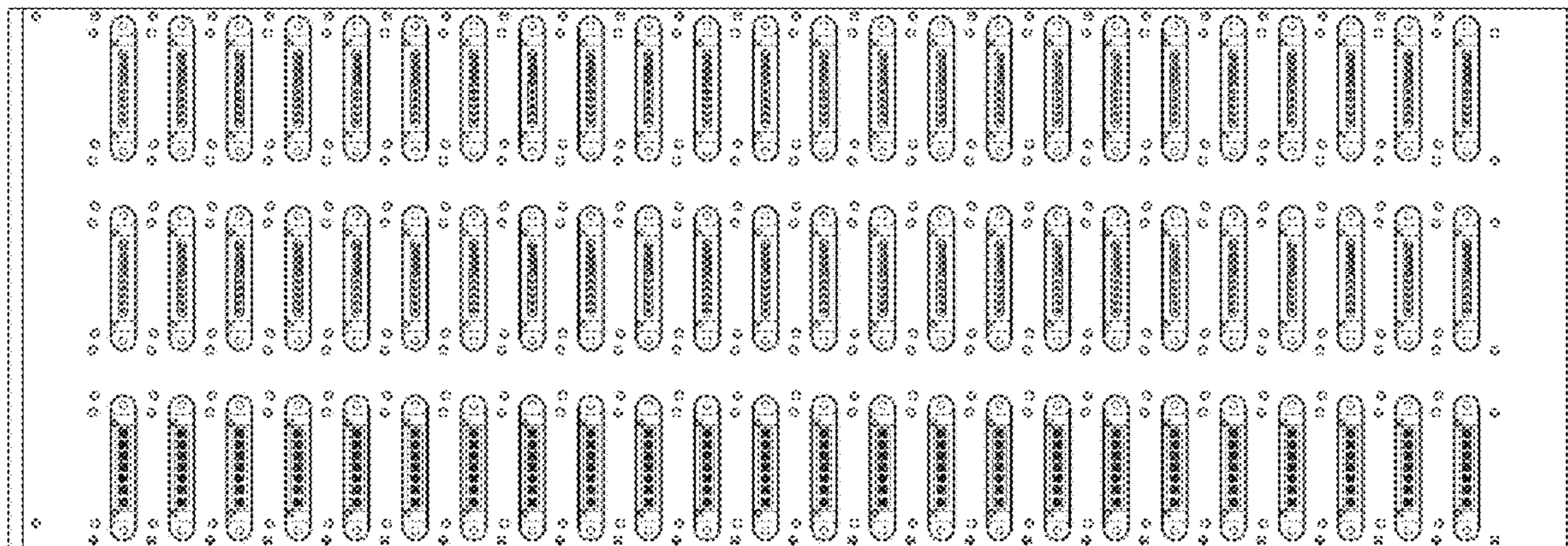
1.4



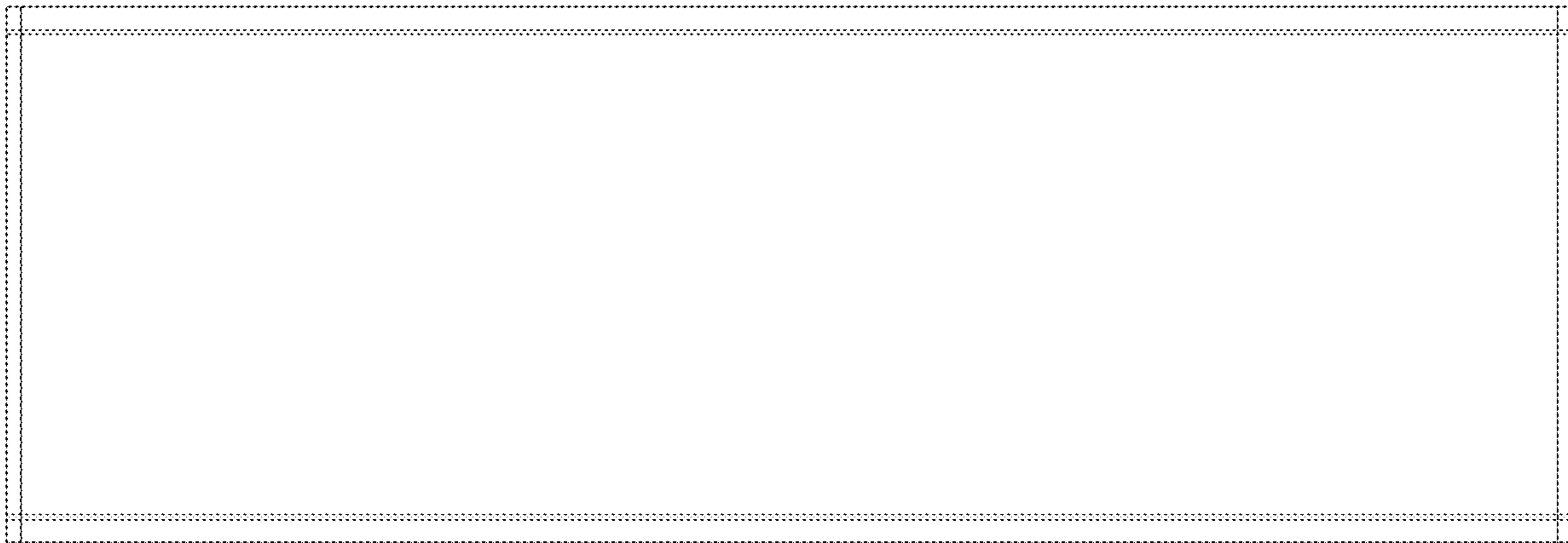
1.5



1.6



1.7



1.8

