



US00D981343S

(12) **United States Design Patent**
Peng

(10) **Patent No.:** **US D981,343 S**
(45) **Date of Patent:** **** Mar. 21, 2023**

(54) **POWER BANK**

(71) Applicant: **YongHuang Peng**, Jiexi (CN)

(72) Inventor: **YongHuang Peng**, Jiexi (CN)

(**) Term: **15 Years**

(21) Appl. No.: **29/837,051**

(22) Filed: **May 2, 2022**

(51) **LOC (14) Cl.** **13-02**

(52) **U.S. Cl.**

USPC **D13/108**

(58) **Field of Classification Search**

USPC D13/103, 107, 108, 118, 119, 183;
D14/217, 251, 253, 432, 433, 434, 439,
D14/447

CPC H02J 7/0027; H02J 7/00047; H02J 7/0049

See application file for complete search history.

(56) **References Cited**

U.S. PATENT DOCUMENTS

D679,271 S *	4/2013	Liu	D13/103
D697,867 S *	1/2014	Weinstein	D13/108
D742,312 S *	11/2015	Gupta	D13/108
D764,404 S *	8/2016	Lau	D13/108
D836,543 S *	12/2018	Sun	D13/108
D843,935 S *	3/2019	Luo	D13/103
D851,588 S *	6/2019	Ma	D13/108
D877,070 S *	3/2020	Lemelson	D13/108
D881,200 S *	4/2020	Leeds-Frank	D14/447
D888,658 S *	6/2020	Urasini	D13/103
D899,360 S	10/2020	Chen		
D909,967 S	2/2021	Larson et al.		
10,922,408 B2 *	2/2021	Miller	G06F 21/54
D931,806 S	9/2021	Chen		
2013/0193911 A1 *	8/2013	Miller	H02J 7/0049 320/107
2018/0041237 A1 *	2/2018	Mody	H04M 1/185

FOREIGN PATENT DOCUMENTS

EP 3576247 A1 * 12/2019 H01R 13/72

OTHER PUBLICATIONS

“IDeart Portable Power Bank”. Found online Aug. 25, 2022 at amazon.com. Reference dated Feb. 9, 2022. Retrieved from https://www.amazon.com/Portable-Charging-10000mAh-Super-Safe-Compatible/dp/B09MVPBVPD. (Year: 2022).*

“iWalk Power Bank”. Found online Aug. 25, 2022 at walmart.com. Reference dated Oct. 13, 2018. Retrieved from https://www.walmart.com/ip/iWalk-UBT8000X-001A-Scorpion-8000X-Power-Bank-Black/564040841. (Year: 2018).*

“HyperJuice Battery”. Found online Aug. 25, 2022 at amazon.com. Reference dated Mar. 18, 2020. Retrieved from https://www.bhphotovideo.com/c/product/1552540-REG/hyper_hj_10000_black_hyperjuice_10_000mah_usb_c_lightning.html/reviews. (Year: 2020).*

* cited by examiner

Primary Examiner — Kendra Leslie Hamilton

Assistant Examiner — Amanda Christensen

(74) *Attorney, Agent, or Firm* — Rumit Ranjit Kanakia

(57) **CLAIM**

The ornamental design for a power bank, as shown and described.

DESCRIPTION

FIG. 1 is a bottom, back, left side perspective view of a power bank, showing my new design;

FIG. 2 is a top, front, right side perspective view thereof;

FIG. 3 is a front view thereof;

FIG. 4 is a back view thereof;

FIG. 5 is a left side view thereof;

FIG. 6 is a right side view thereof;

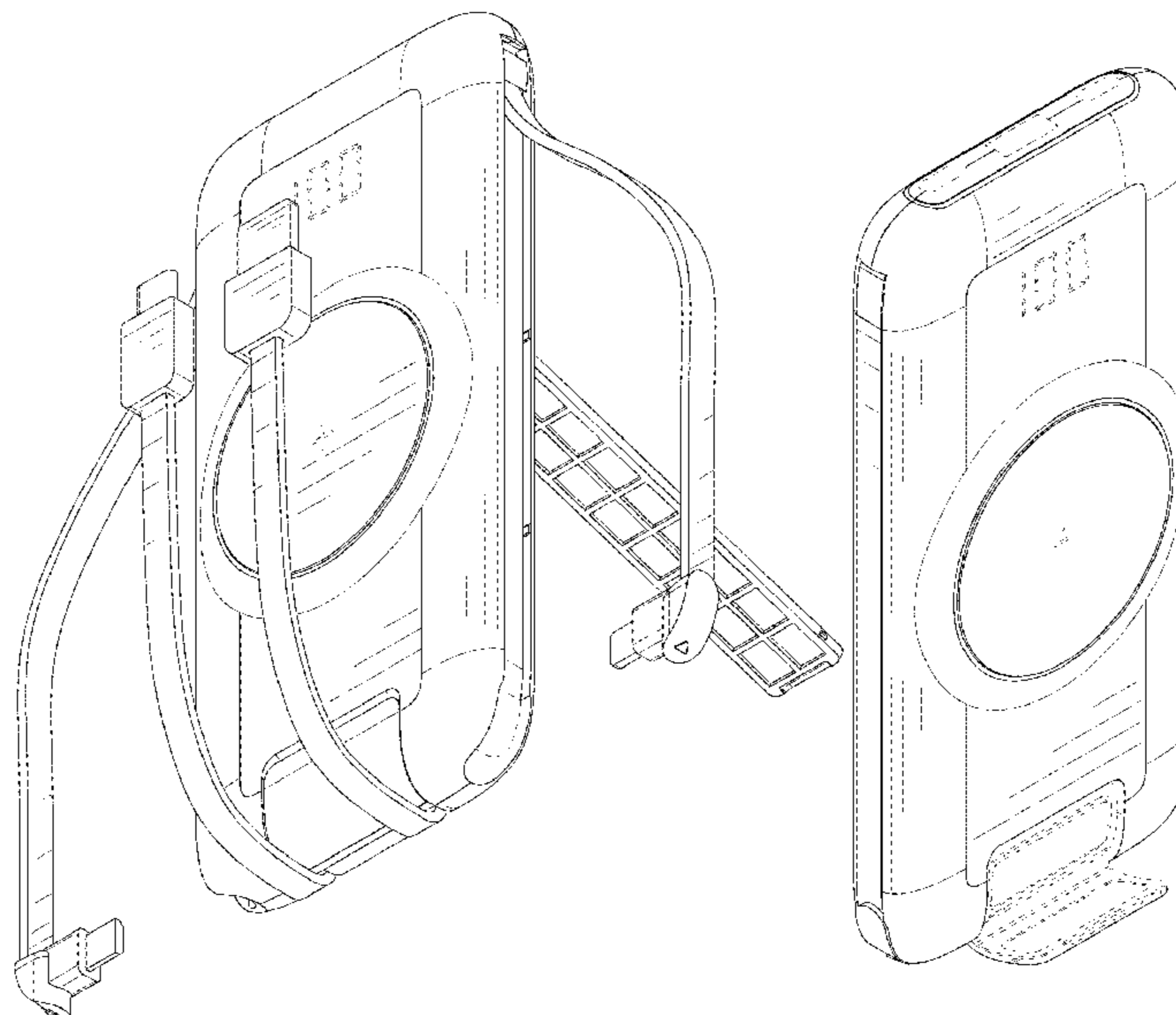
FIG. 7 is a top view thereof;

FIG. 8 is a bottom view thereof; and,

FIG. 9 is a top, back, right side perspective view of the power bank, shown in an alternative configuration.

The broken lines shown in the drawings depict portions of the power bank that form no part of the claimed design.

1 Claim, 9 Drawing Sheets



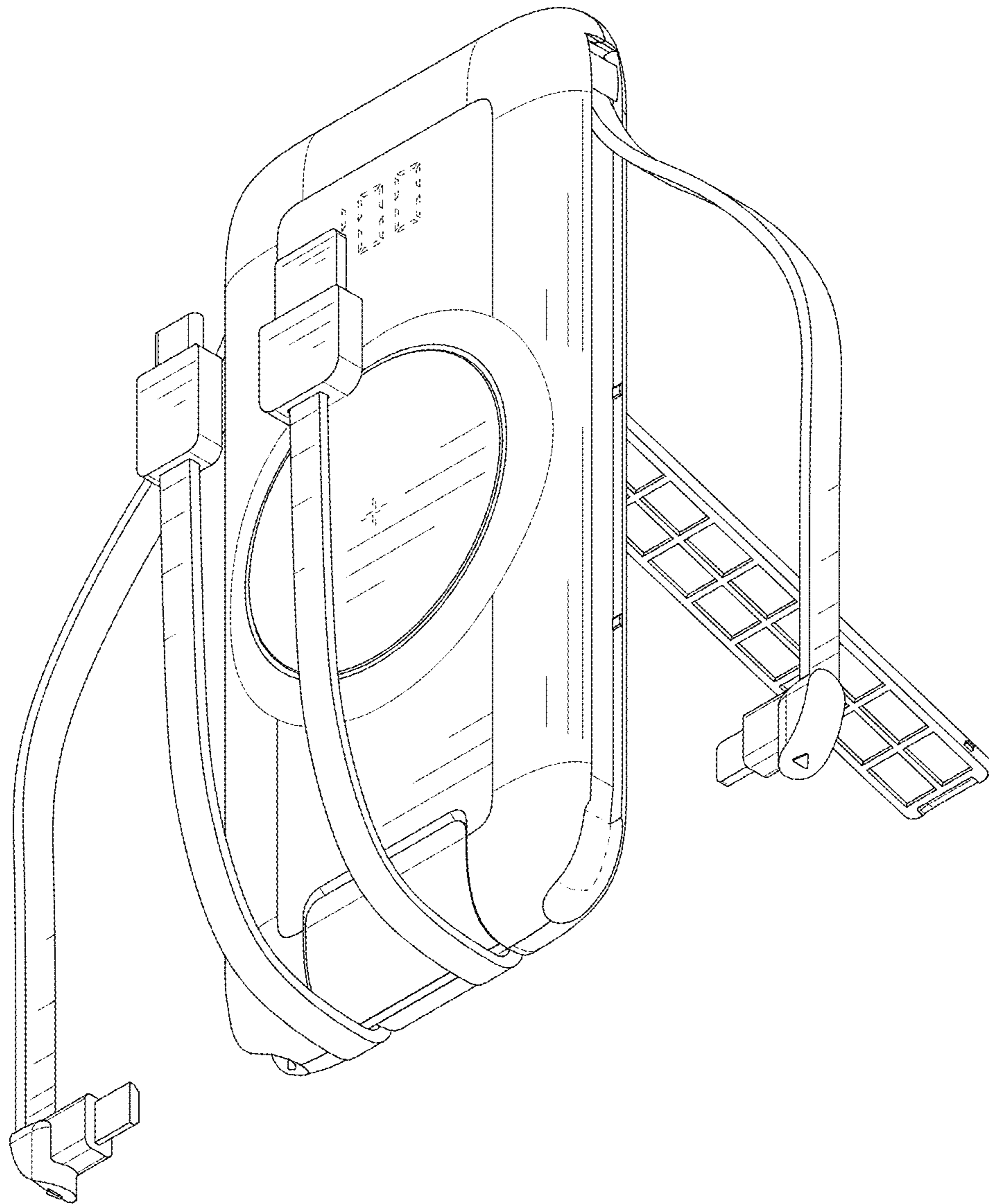


FIG. 1

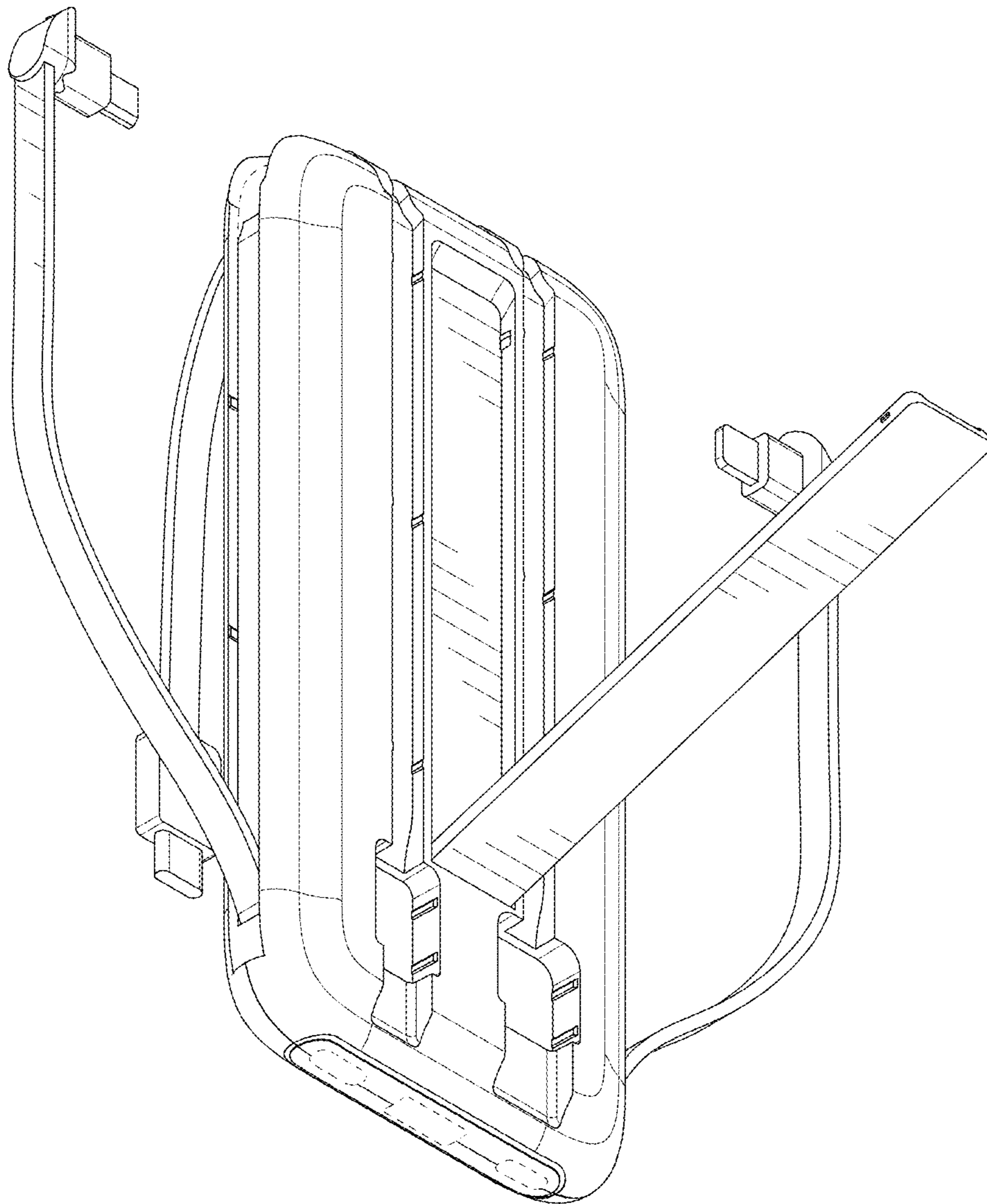


FIG. 2

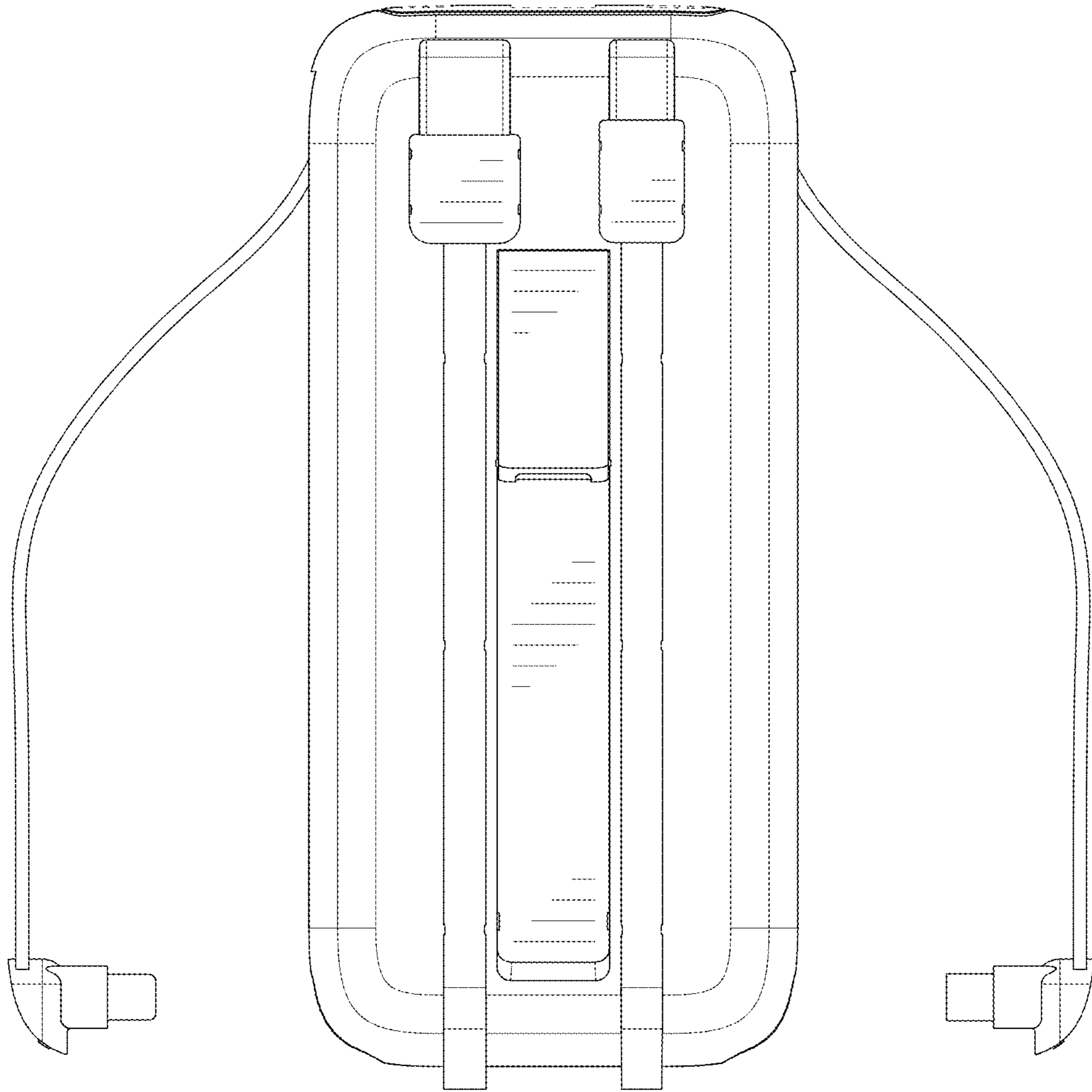


FIG. 3

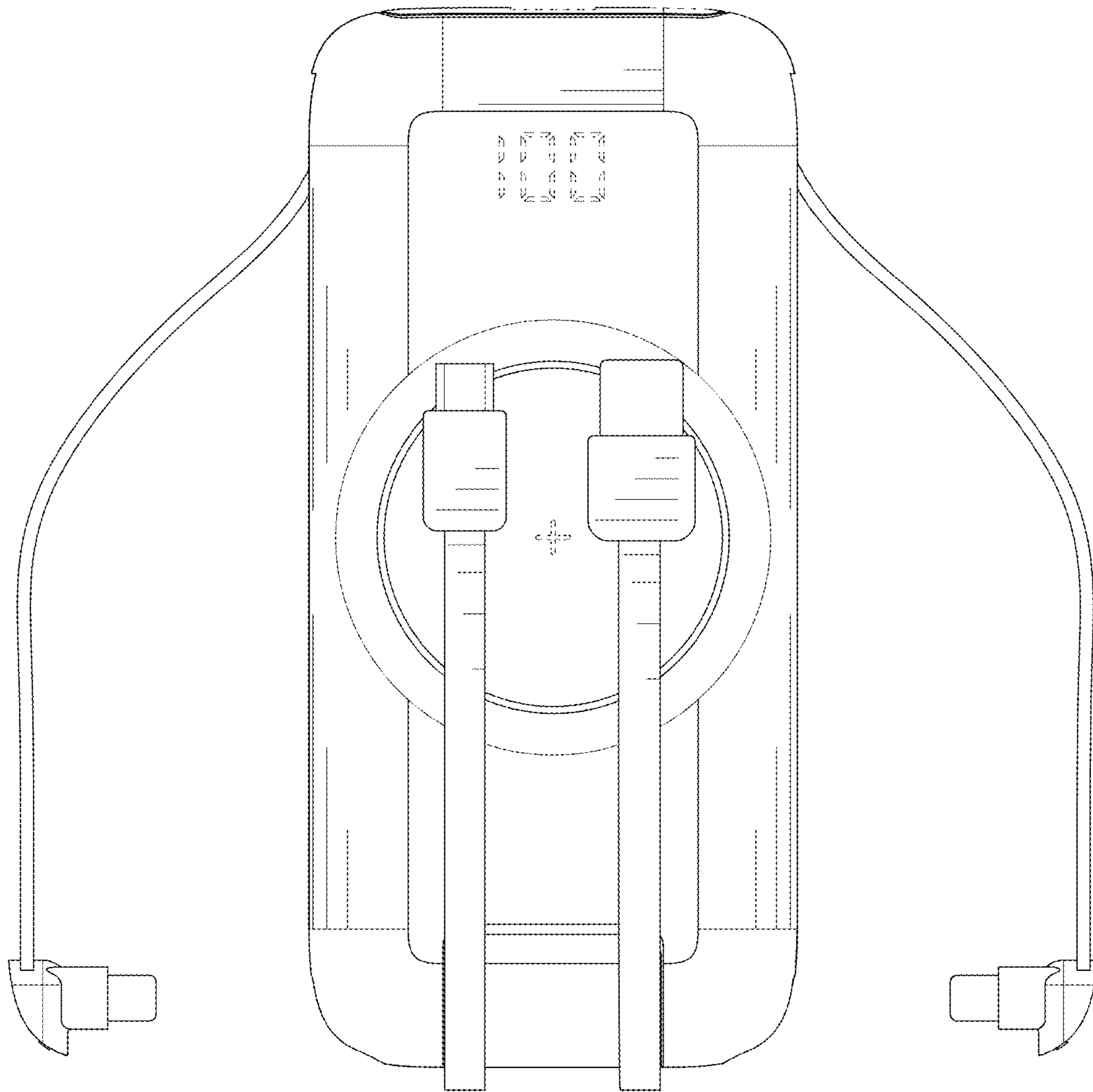


FIG. 4

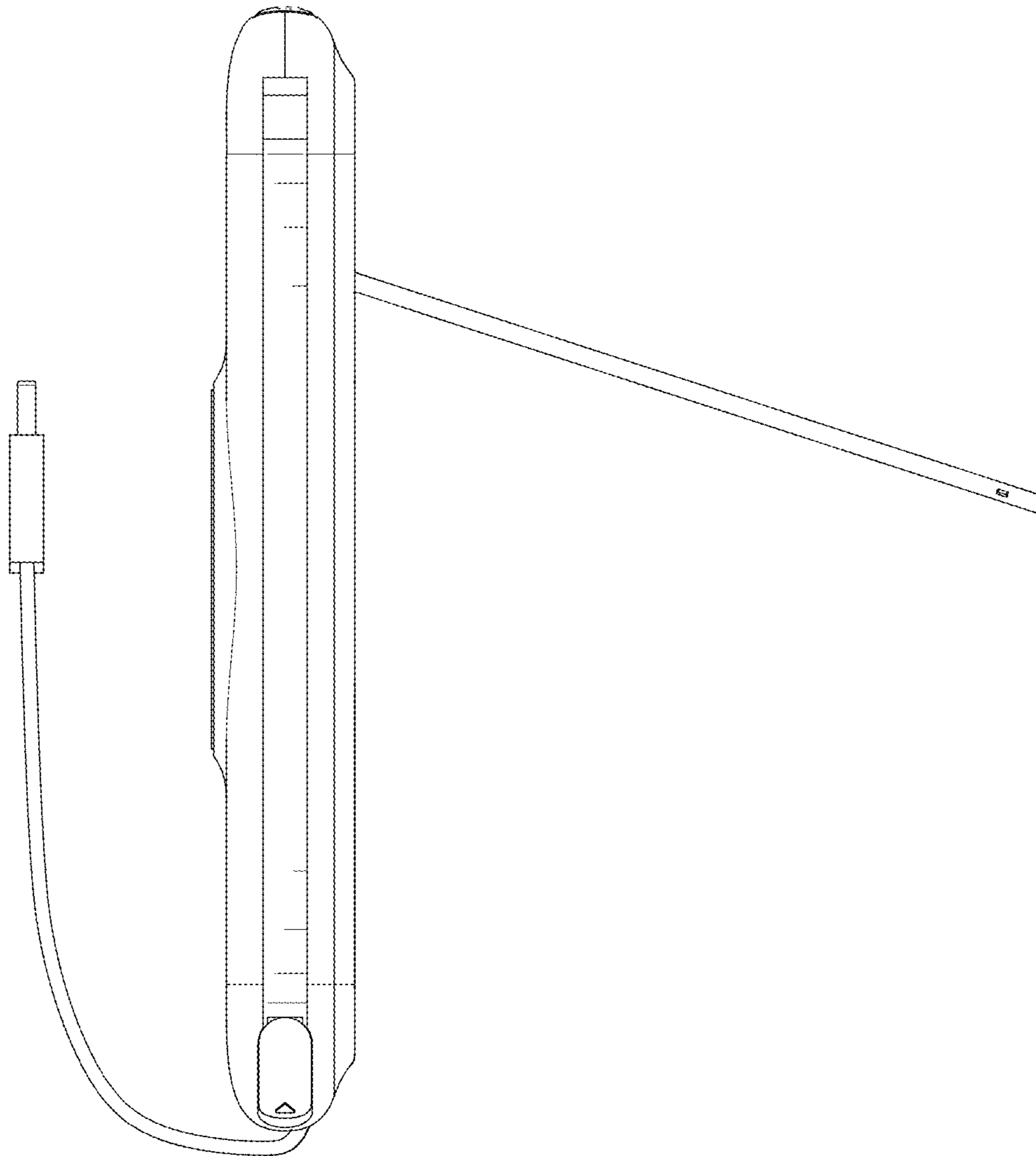


FIG. 5

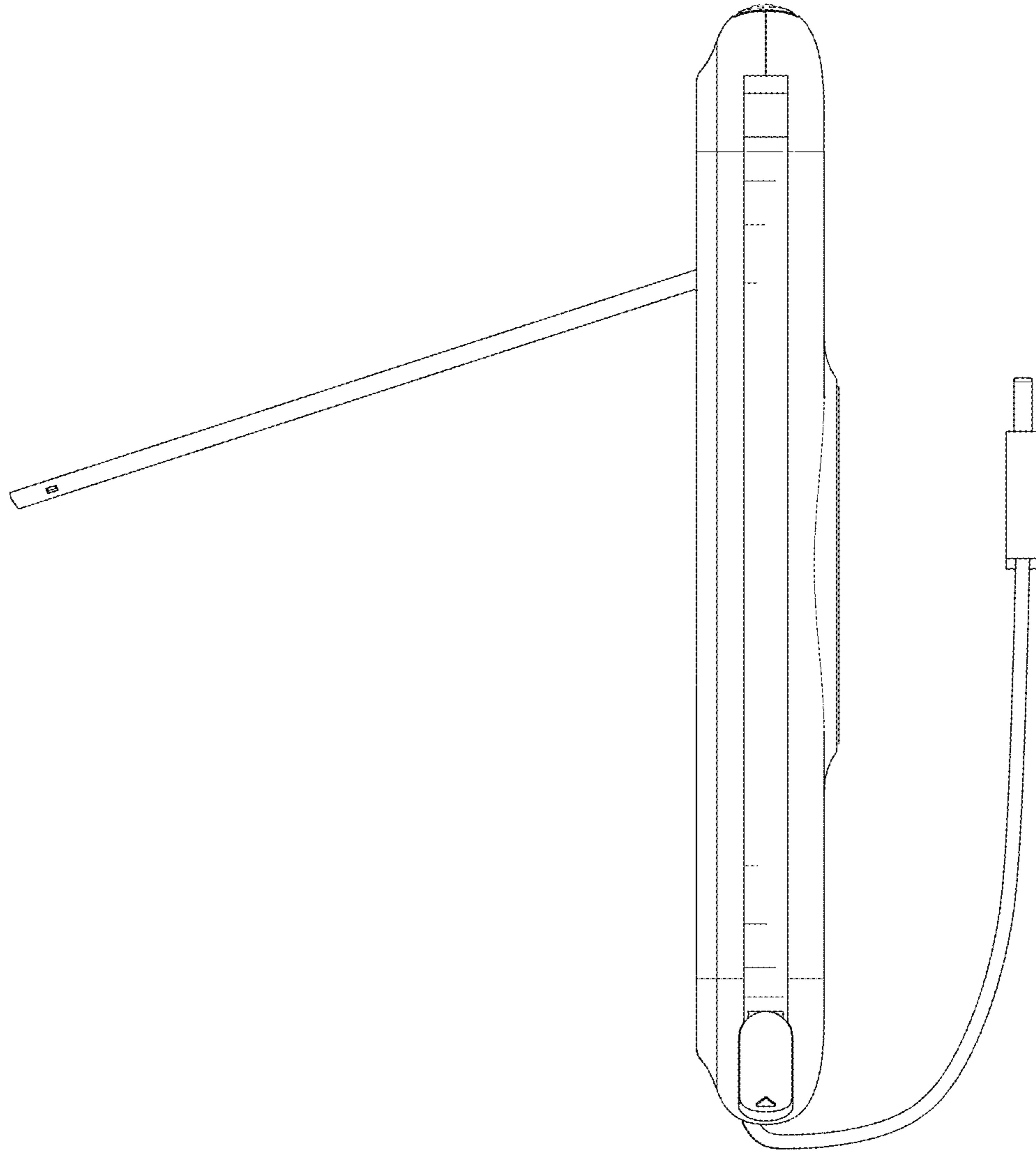


FIG. 6

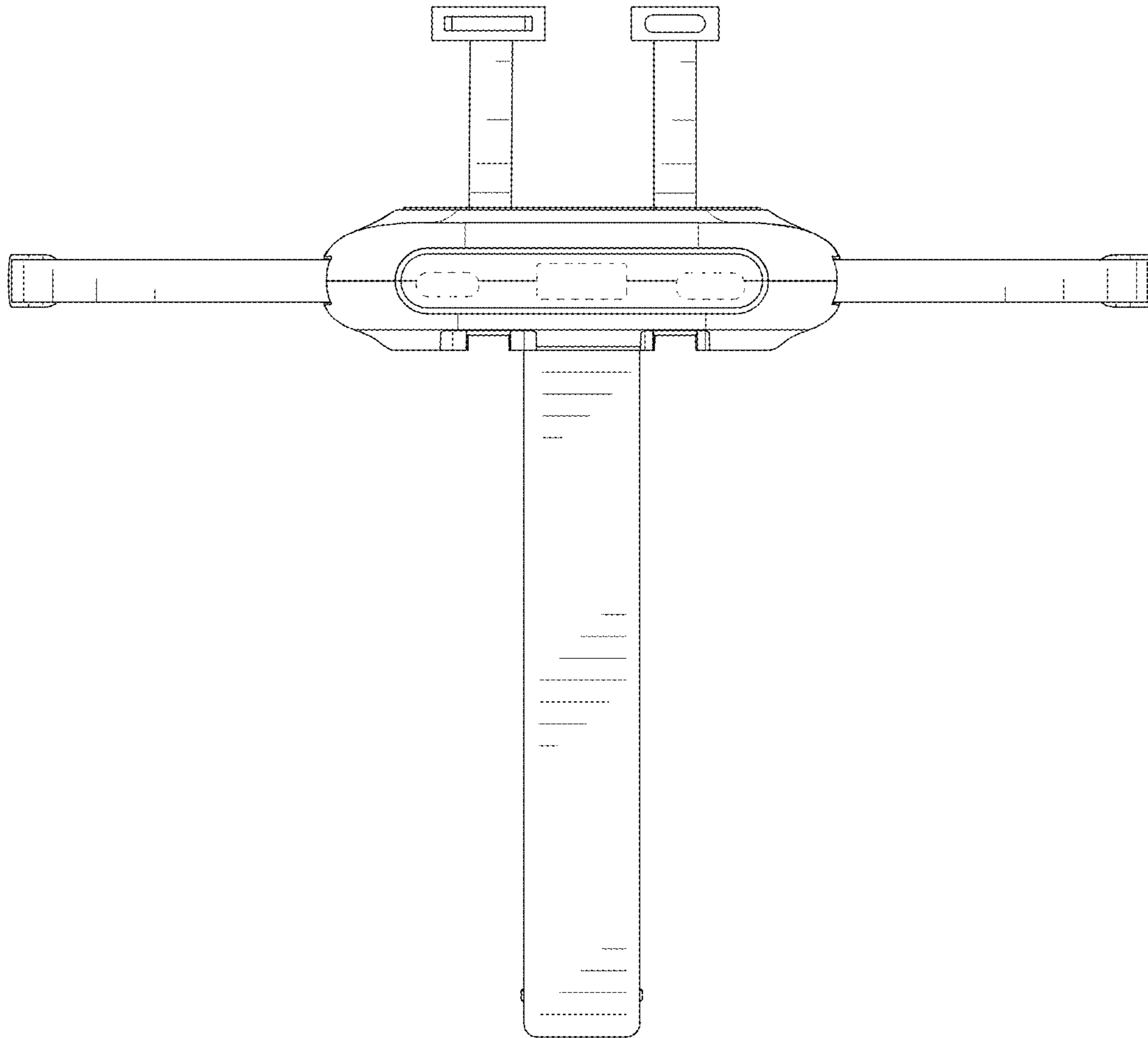


FIG. 7

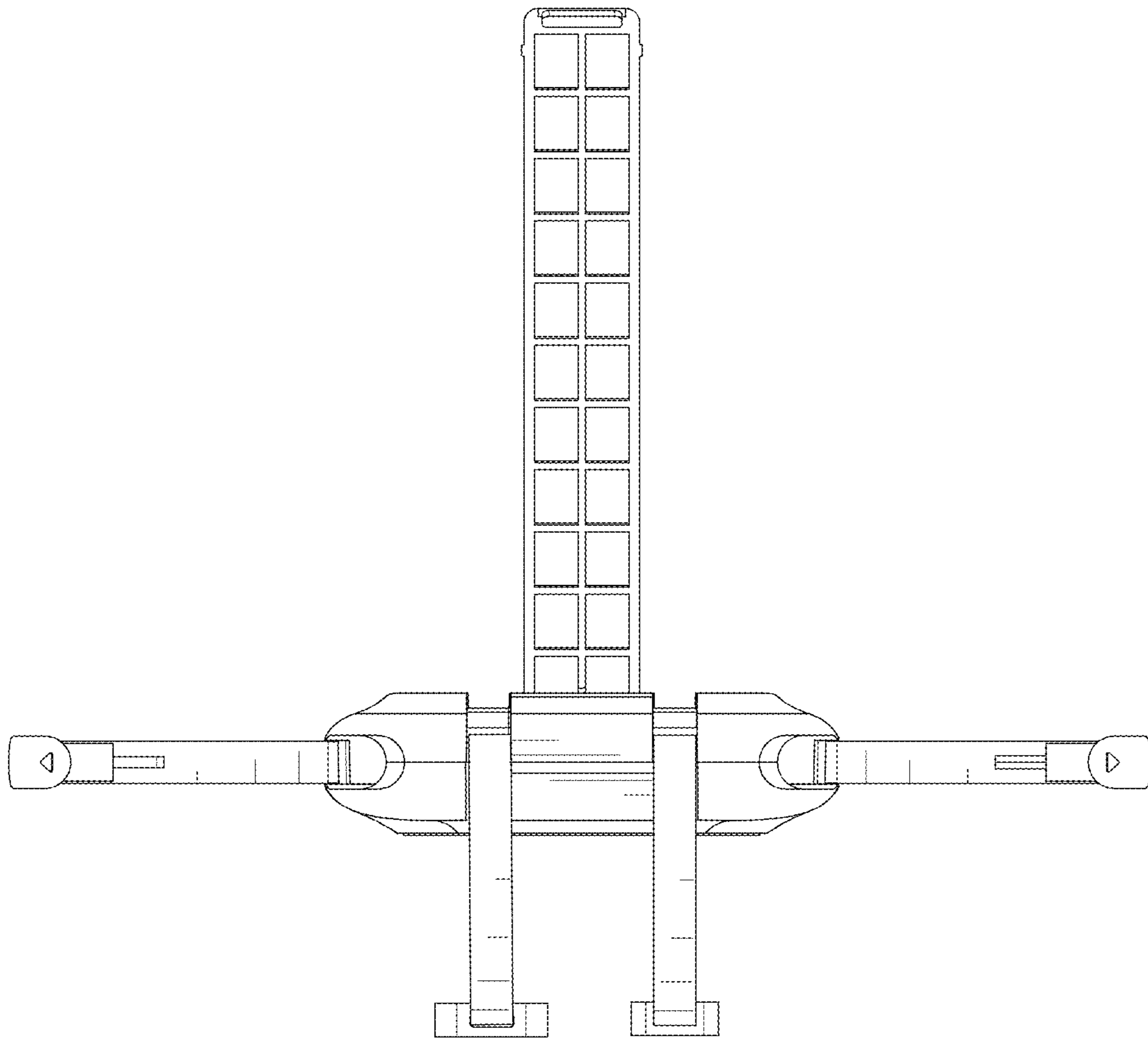


FIG. 8

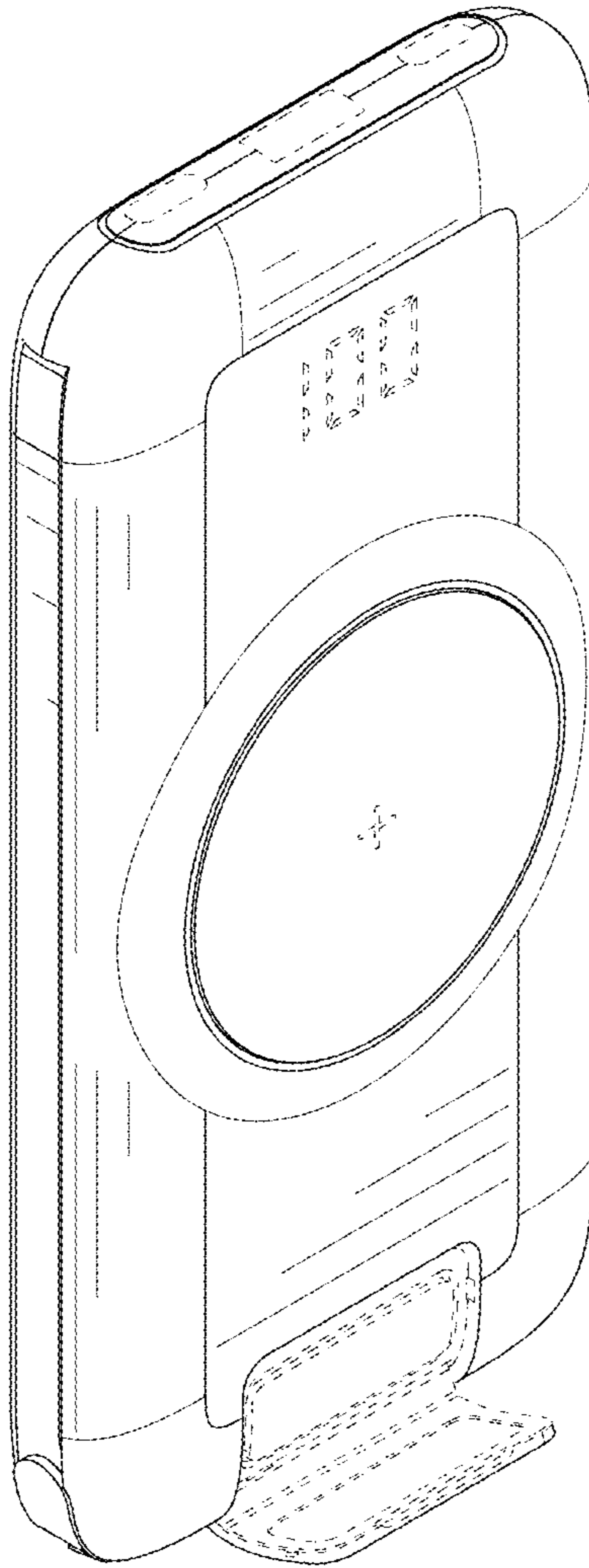


FIG. 9