



US00D981342S

(12) **United States Design Patent**
Liao

(10) **Patent No.:** **US D981,342 S**
(45) **Date of Patent:** **** Mar. 21, 2023**

(54) **PORTABLE POWER SOURCE**
(71) Applicant: **GUANGDONG GOPOD GROUP HOLDING CO., LTD**, Shenzhen (CN)
(72) Inventor: **Zhuowen Liao**, Shenzhen (CN)
(73) Assignee: **Guangdong Gopod Group Holding Co., Ltd.**, Shenzhen (CN)

D857,019 S * 8/2019 Mecchella D14/434
D870,658 S * 12/2019 Woo D13/108
D875,677 S * 2/2020 Shi D13/103
D897,953 S * 10/2020 Chen D13/108
D913,290 S * 3/2021 Mecchella D14/434
D917,452 S * 4/2021 Lee D13/108
D917,472 S * 4/2021 Kwon D14/363
D926,683 S * 8/2021 Liao D14/252
D927,233 S * 8/2021 Lee D6/682
D934,796 S * 11/2021 Liao D13/108

(**) Term: **15 Years**

* cited by examiner

(21) Appl. No.: **29/753,327**

Primary Examiner — Nathaniel D. Buckner

(22) Filed: **Sep. 30, 2020**

(74) *Attorney, Agent, or Firm* — Wolf, Greenfield & Sacks, P.C.

(30) **Foreign Application Priority Data**

(57) **CLAIM**

May 28, 2020 (CN) 202030256687.1

The ornamental design for a portable power source, as shown and described.

(51) **LOC (14) Cl.** **13-02**

DESCRIPTION

(52) **U.S. Cl.**

USPC **D13/108**; D13/103

(58) **Field of Classification Search**

USPC D13/102–110, 118–119, 184; D14/251, D14/253, 432, 434

CPC Y02T 90/14; H02J 7/025; H02J 7/0042; H02J 7/0044; H02J 7/0045; H02J 7/0003;

H01F 38/14; H01R 13/6675; H01M 10/44; H01M 10/46; H01M 10/425

See application file for complete search history.

FIG. 1 is a top, front, right side perspective view of a portable power source showing our new design;
FIG. 2 is a top, rear, left side perspective view thereof, shown in an alternate position of use;
FIG. 3 is a top, front, right side perspective view thereof, shown in a second alternate position of use;
FIG. 4 is a top, rear, left side perspective view thereof;
FIG. 5 is a bottom, front, left side perspective view thereof, shown in a closed, stored position of use; and,
FIG. 6 is a bottom, front, left side perspective view thereof, shown in an open stored position of use.

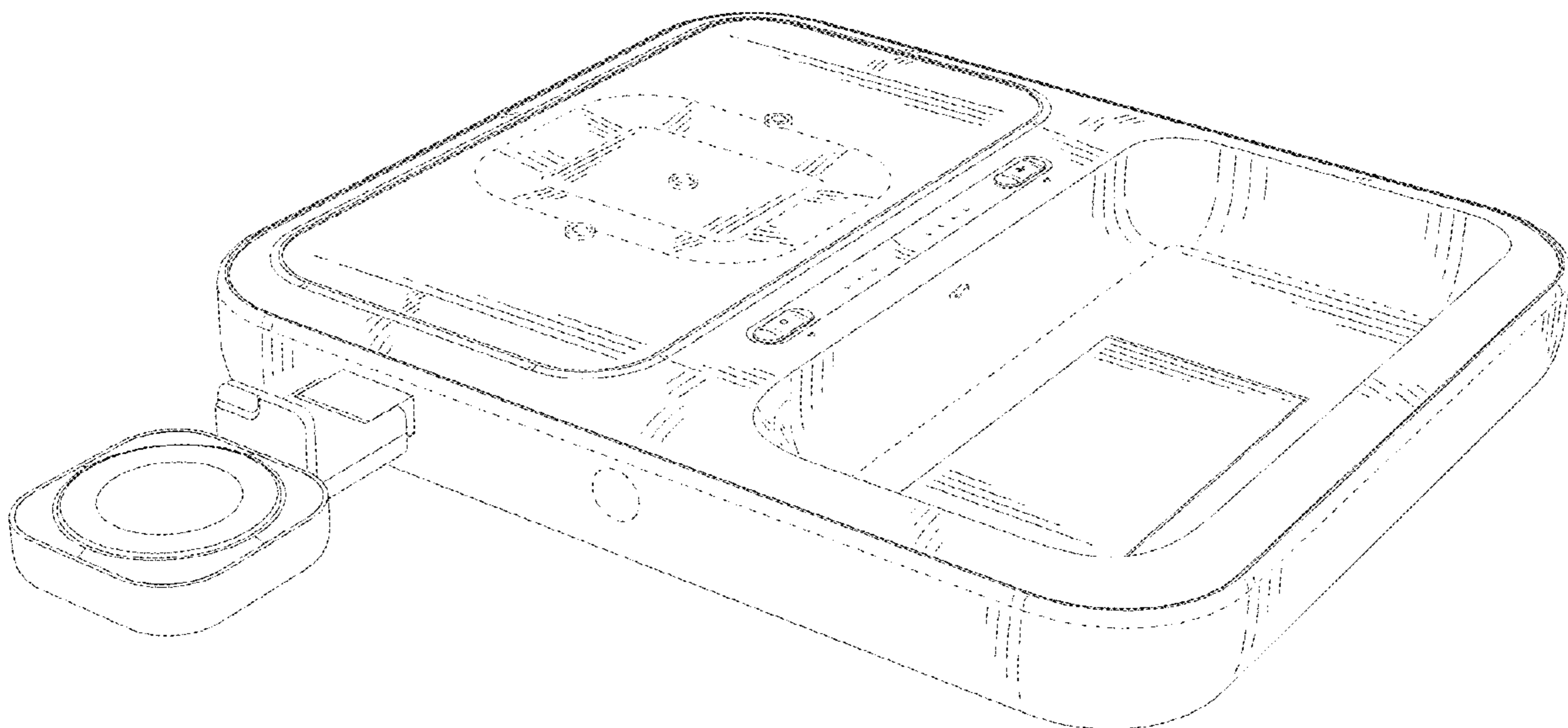
(56) **References Cited**

U.S. PATENT DOCUMENTS

D812,564 S * 3/2018 Feng D13/108
D813,806 S * 3/2018 Ito D13/108
D820,353 S * 6/2018 Choi D18/50

The broken lines in the drawings depict portions of the portable power source that form no part of the claimed design.

1 Claim, 6 Drawing Sheets



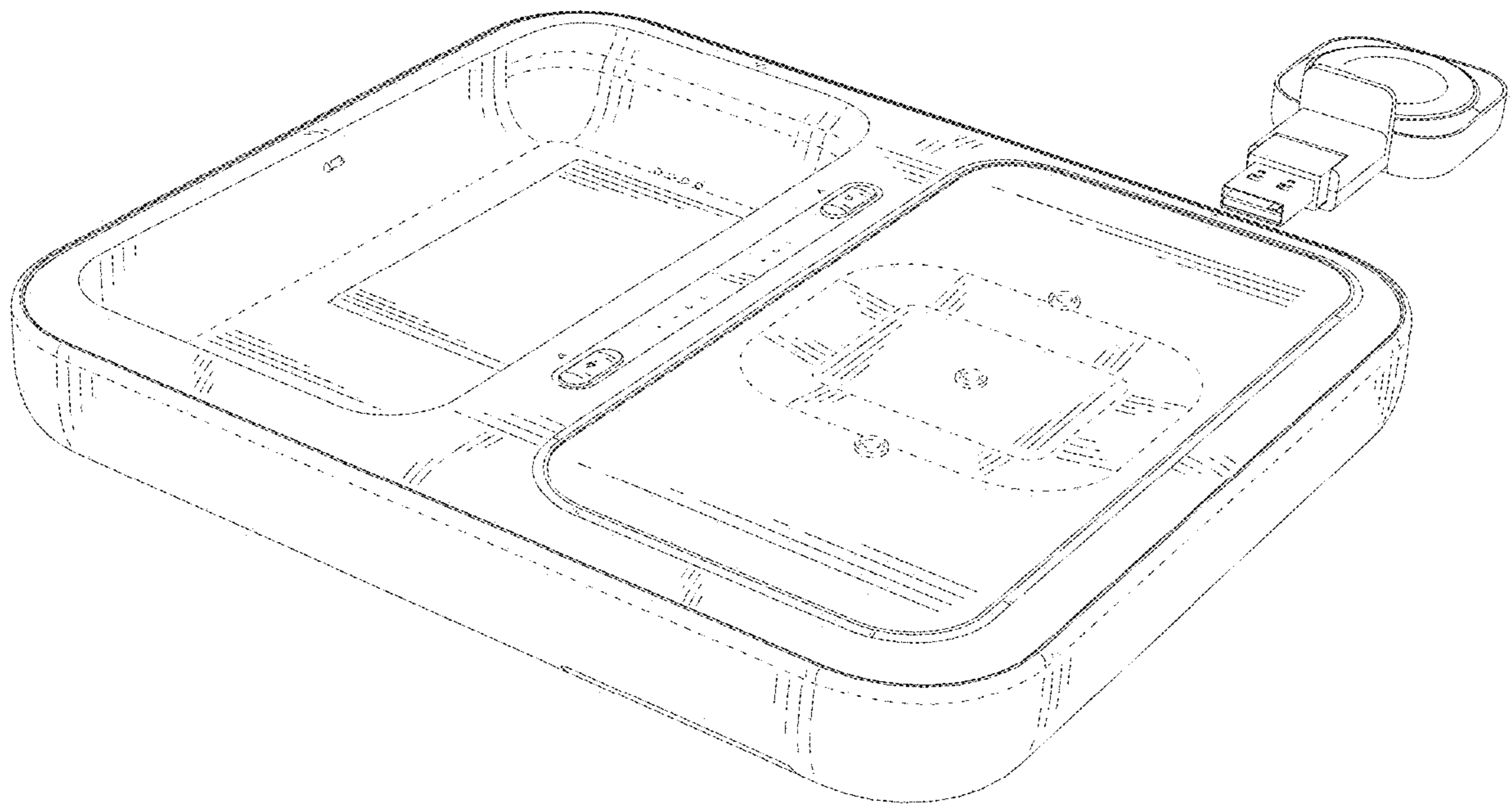


FIG.1

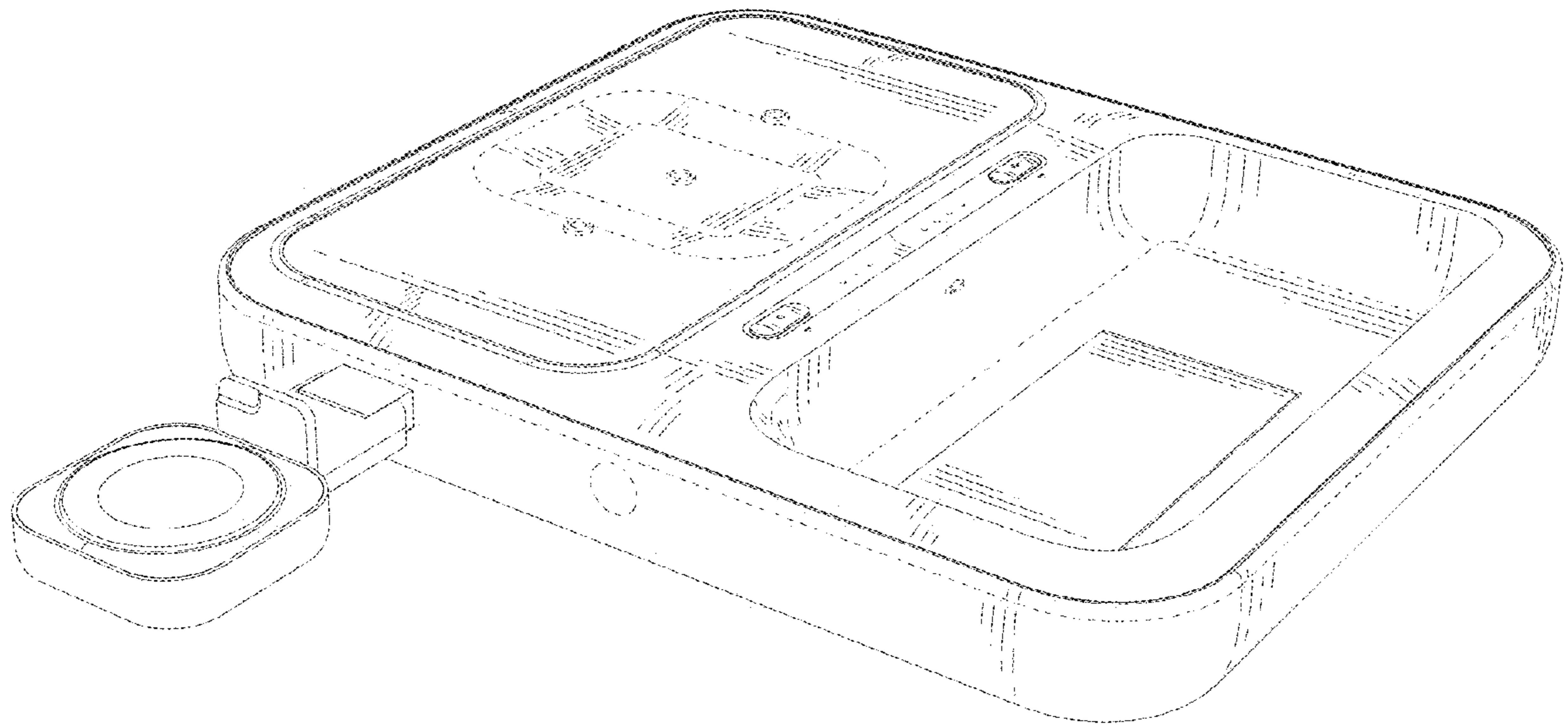


FIG.2

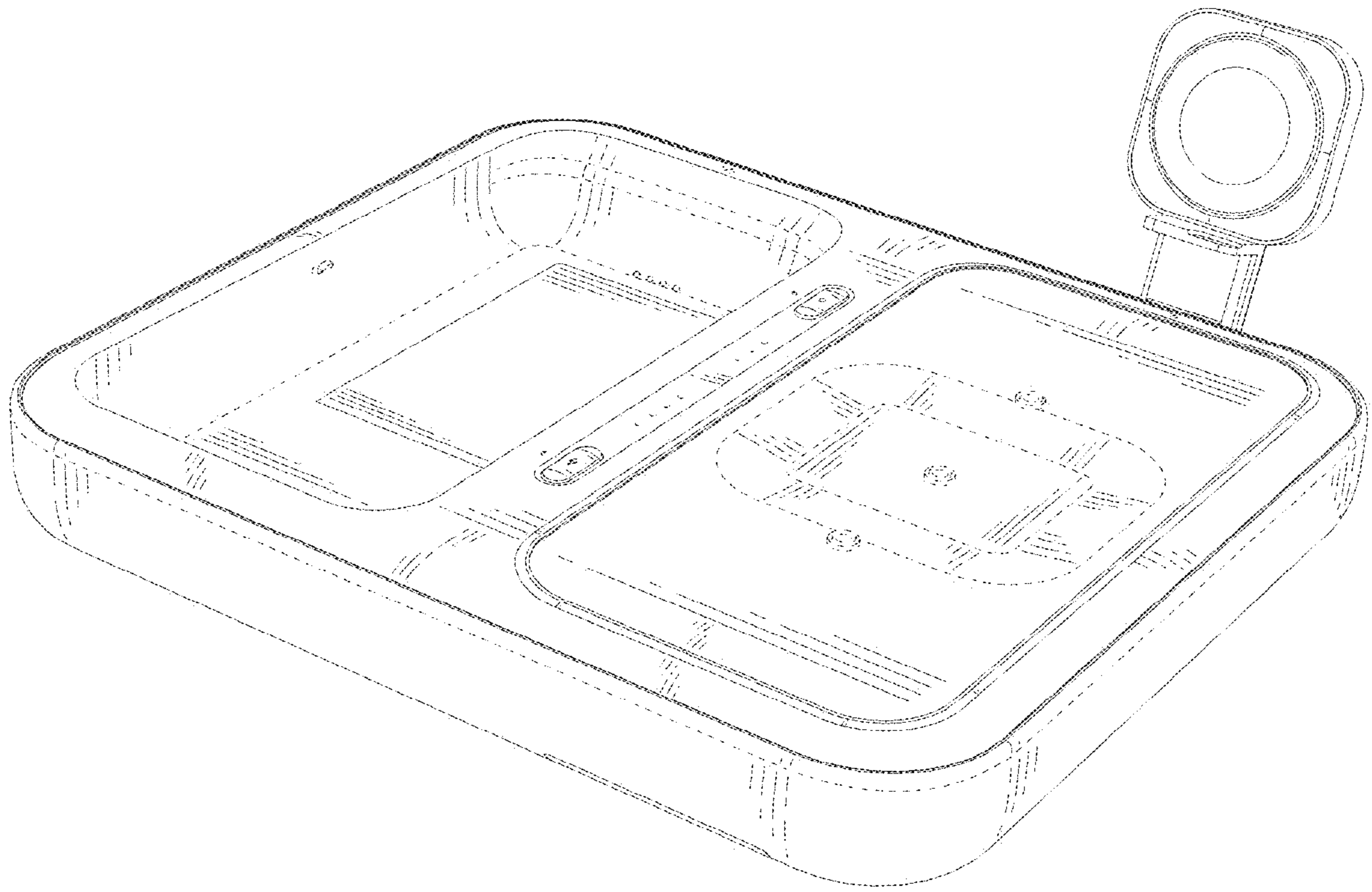


FIG.3

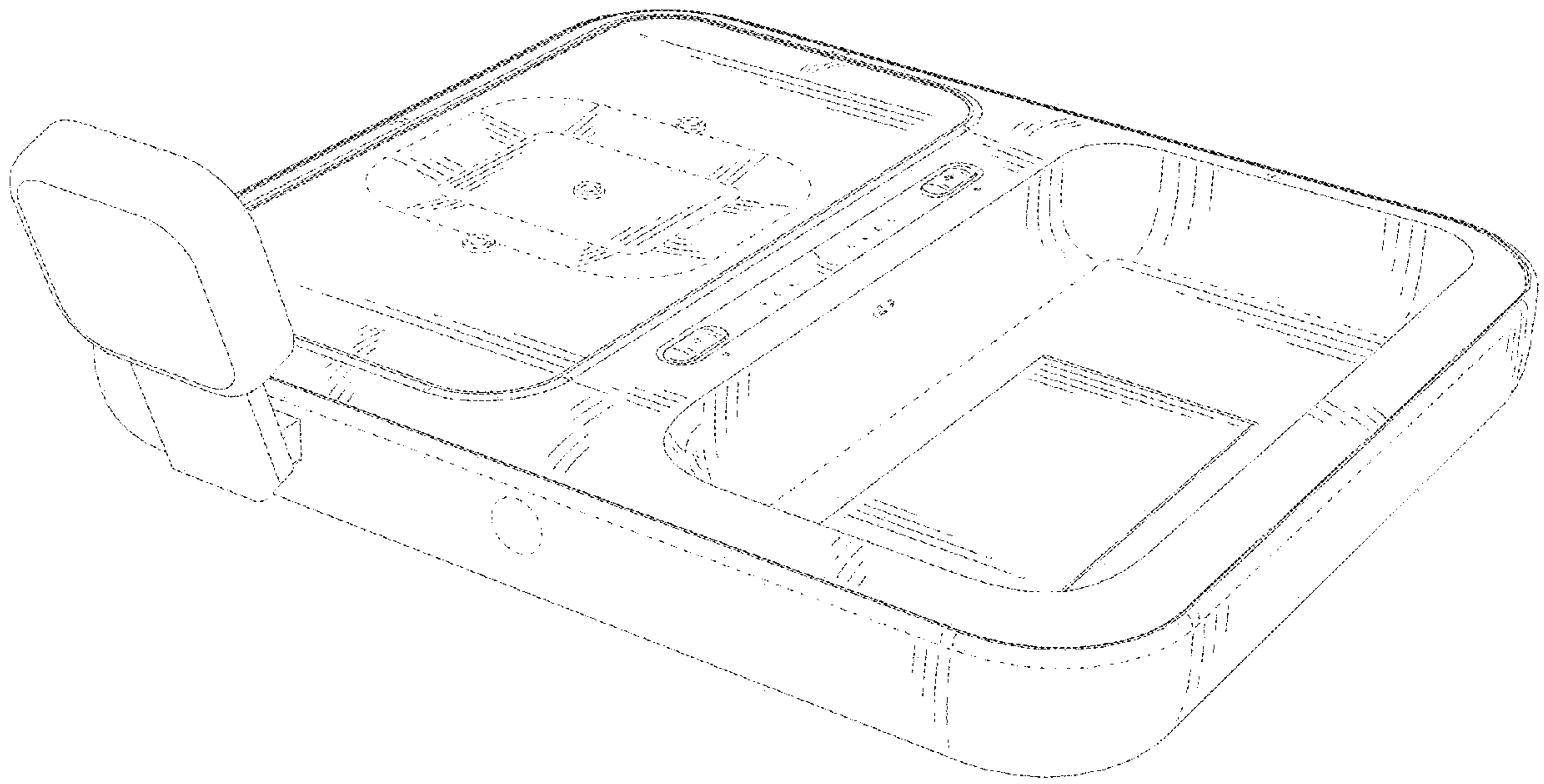


FIG.4

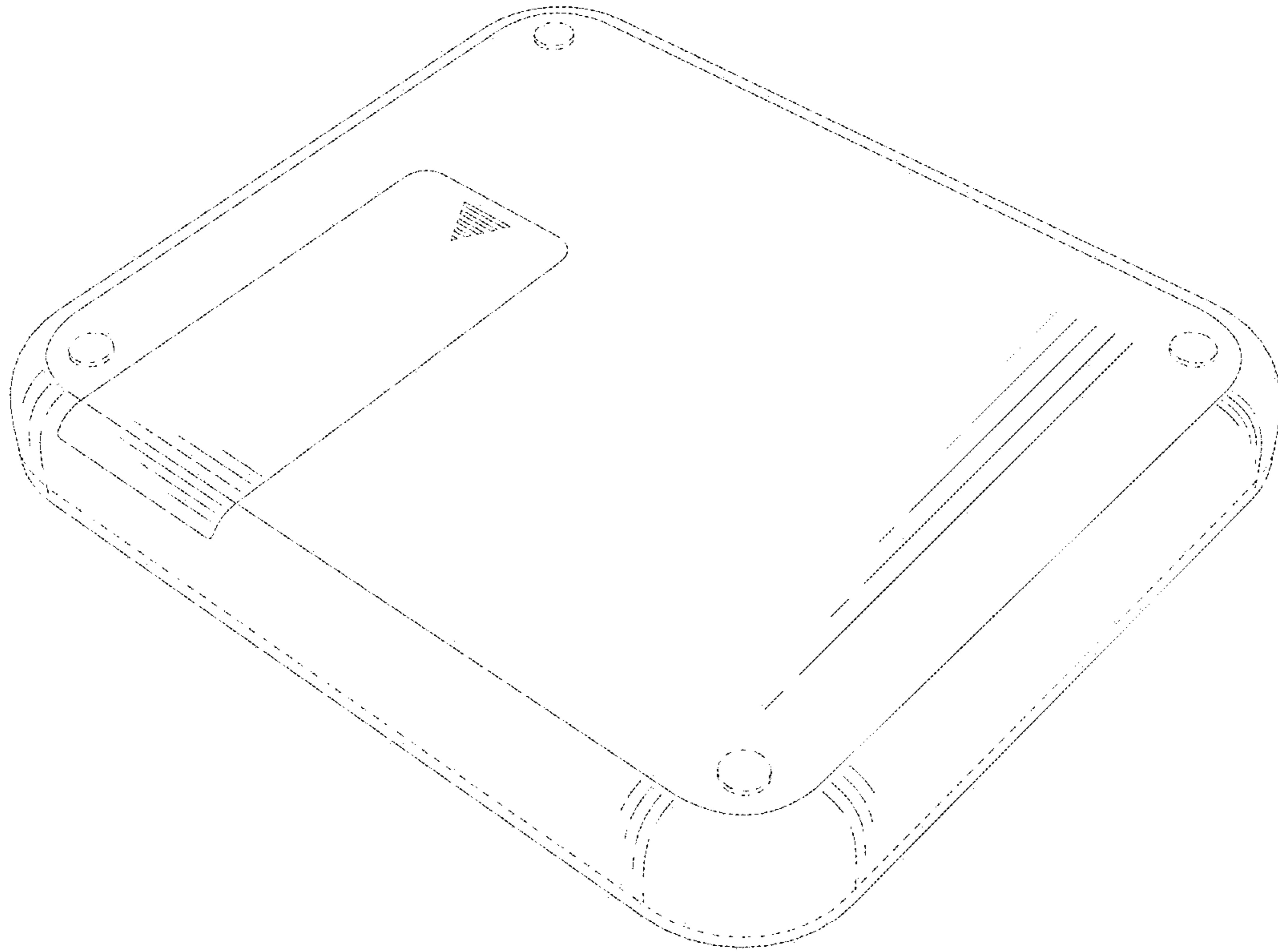


FIG.5

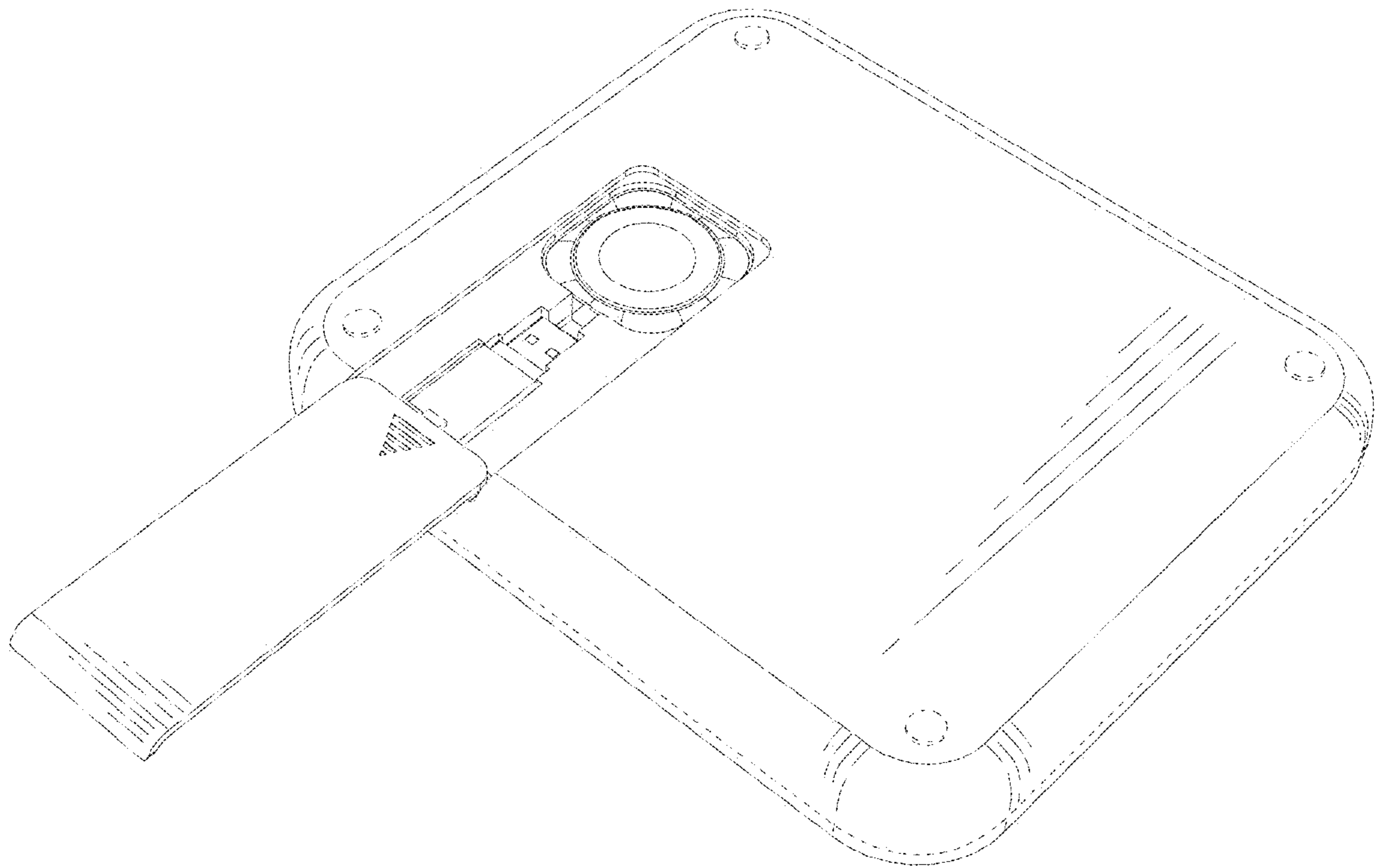


FIG.6