



US00D981340S

(12) **United States Design Patent**
Van Damme

(10) **Patent No.:** **US D981,340 S**
(45) **Date of Patent:** **** Mar. 21, 2023**

(54) **ACCUMULATOR CHARGING APPARATUS**

D528,504 S * 9/2006 Bobbin D13/103
D640,191 S * 6/2011 Like D13/104
D758,303 S * 6/2016 Walker D13/103

(71) Applicant: **MEYDAM CHARGING SOLUTIONS**, Oostakker (BE)

FOREIGN PATENT DOCUMENTS

(72) Inventor: **Geert Van Damme**, Ghent (BE)

EM 008606131-0001 * 7/2021

(**) Term: **15 Years**

OTHER PUBLICATIONS

(21) Appl. No.: **35/514,234**

“Halfords HCB063 Calcium 12V Car Battery 4 Year Guarantee”, first accessed Dec. 7, 2022. Halfords.com [https://www.halfords.com/motoring/batteries/car-batteries/halfords-hcb063-calcium-12v-car-battery-4-year-guarantee-950303.html] (Year: 2022).*

(22) Filed: **Jan. 3, 2022**

“Yuasa YUAM62X4B YTX4L-BS Battery”, first available Feb. 2, 2007. Amazon.com [https://www.amazon.com/dp/B000WJX2YA] (Year: 2007).*

(80) **Hague Agreement Data**

Int. Filing Date: **Jan. 3, 2022**
Int. Reg. No.: **DM/220465**
Int. Reg. Date: **Jan. 3, 2022**
Int. Reg. Pub. Date: **May 6, 2022**

“Camco®—Battery Box for Group 27-31 Batteries”, first accessed Dec. 7, 2022. CamperID.com [https://www.camperid.com/camco/battery-box-for-group-27-31-batteries-mpn-55372.html?singleid=2444620548] (Year: 2022).*

(51) **LOC (14) Cl.** **13-02**

* cited by examiner

(52) **U.S. Cl.**

USPC **D13/107**

Primary Examiner — Rosemary K Tarcza

(58) **Field of Classification Search**

USPC D13/103, 107, 108, 110, 118, 119, 184, D13/199

Assistant Examiner — Seth David Kumpf

CPC H02J 7/00; H02J 7/02; H02J 7/025; H02J 7/0042; H02J 7/0044; H02J 7/0045; H02J 7/0003; H02J 7/0013; H01R 13/52; H01R 13/6675; H01M 10/44; H01M 10/46; H01M 10/465; H01M 10/482

(57) **CLAIM**

The ornamental design for a accumulator charging apparatus, as shown and described.

See application file for complete search history.

DESCRIPTION

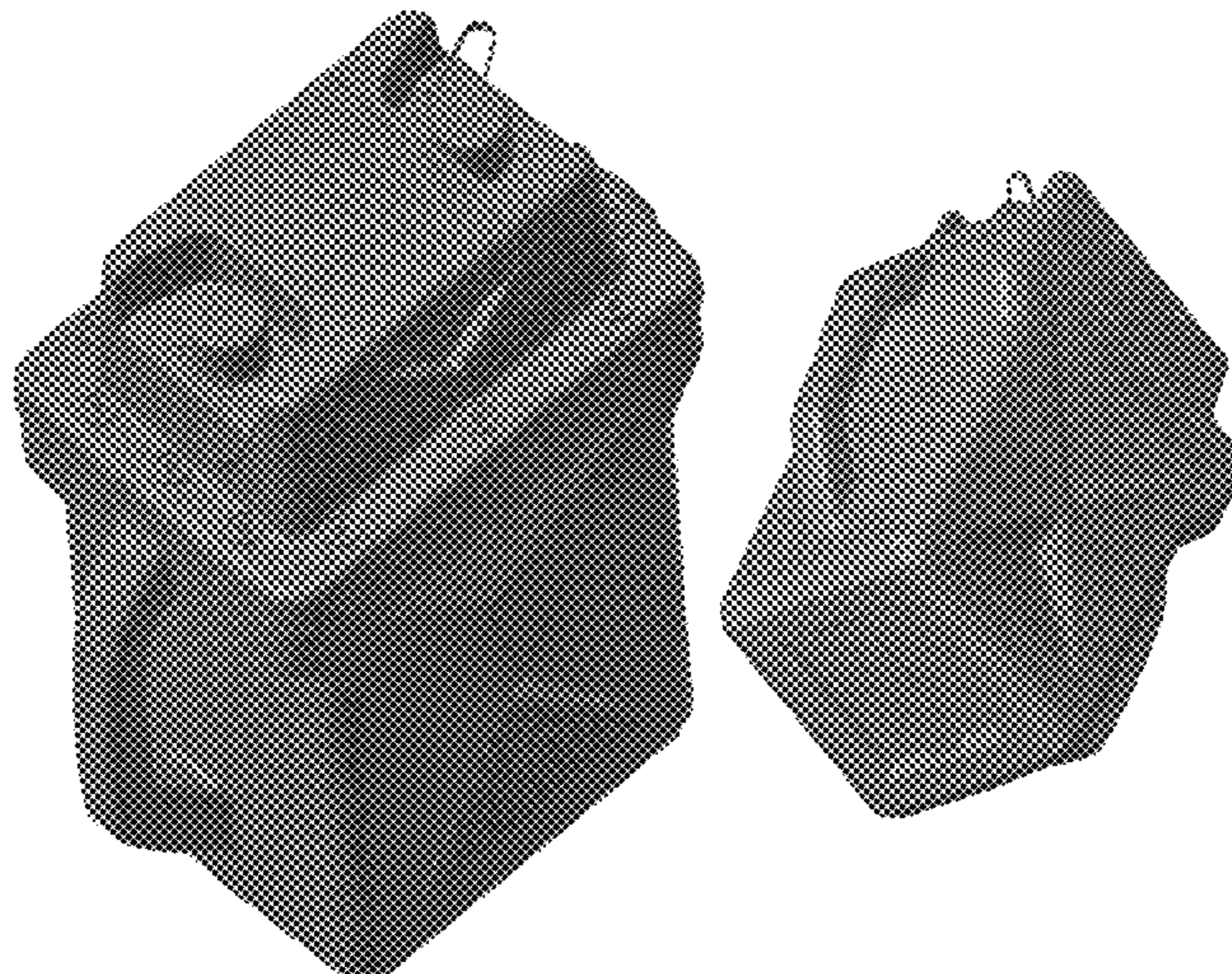
(56) **References Cited**

U.S. PATENT DOCUMENTS

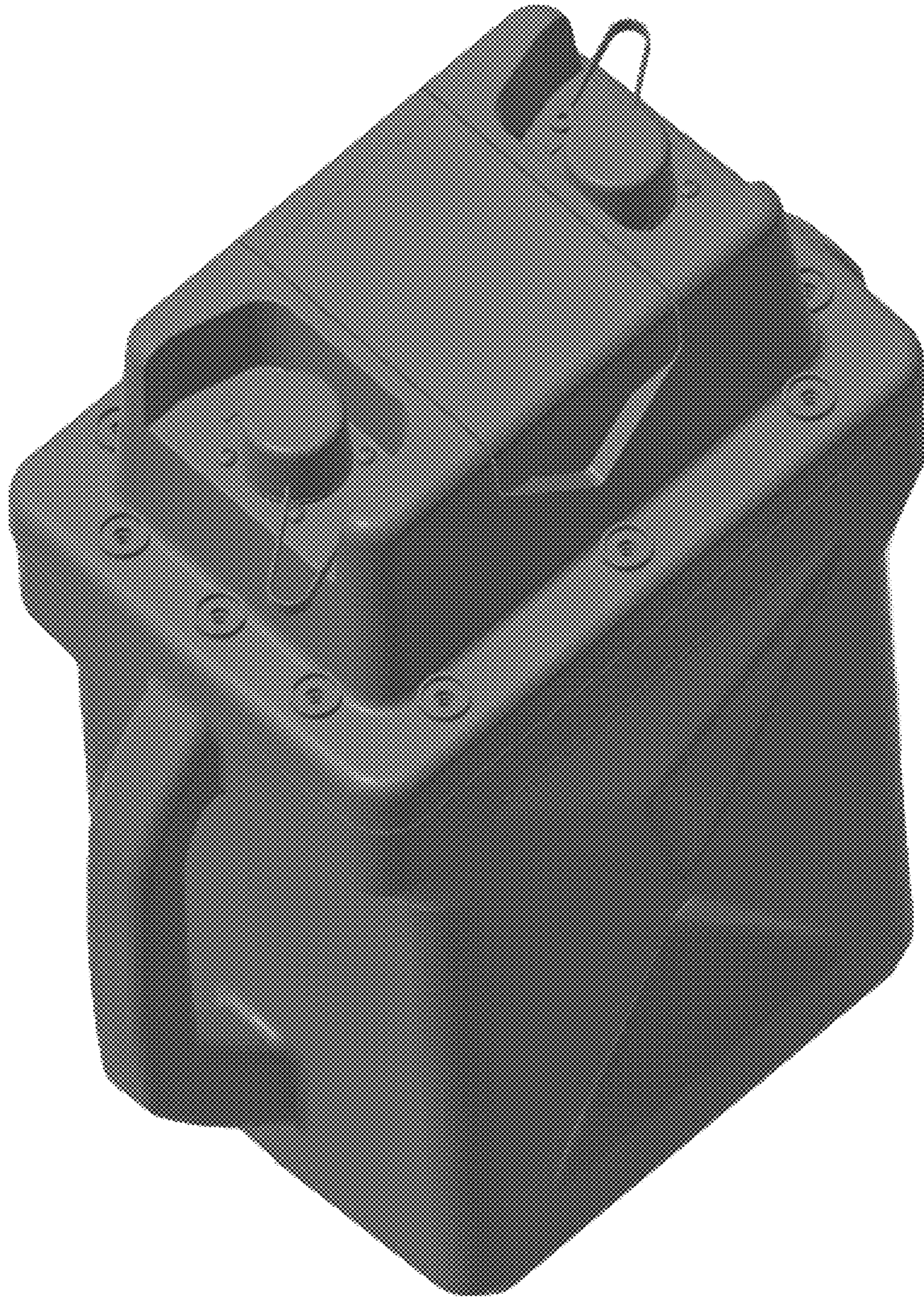
D274,145 S * 6/1984 Kimberlin D13/184
D303,652 S * 9/1989 Lopez-Doriga Lopez-Doriga D13/106
D303,653 S * 9/1989 Lopez-Doriga Lopez-Doriga D13/106
D419,137 S * 1/2000 Gaffney D9/425
6,367,646 B1 * 4/2002 Hoagland H01M 50/271
206/703
D517,987 S * 3/2006 Castagnola D13/119

- 1. Accumulator charging apparatus
- 1.1 : Perspective
- 1.2 : Perspective, cover removed
- 1.3 : Front
- 1.4 : Left
- 1.5 : Back
- 1.6 : Top
- 1.7 : Perspective
- 1.8 : Right
- 1.9 : Perspective
- 1.10 : Bottom

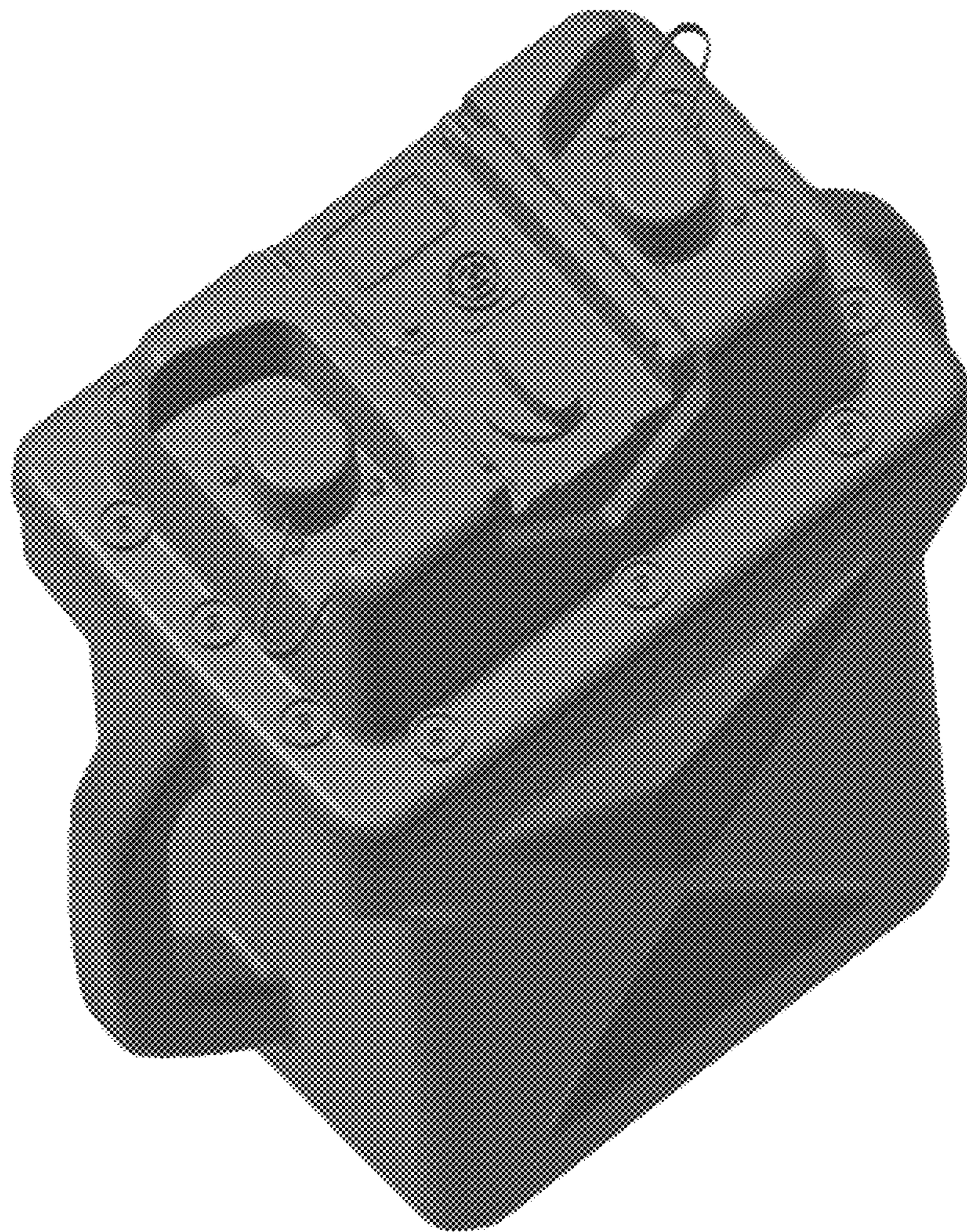
1 Claim, 10 Drawing Sheets



1.1



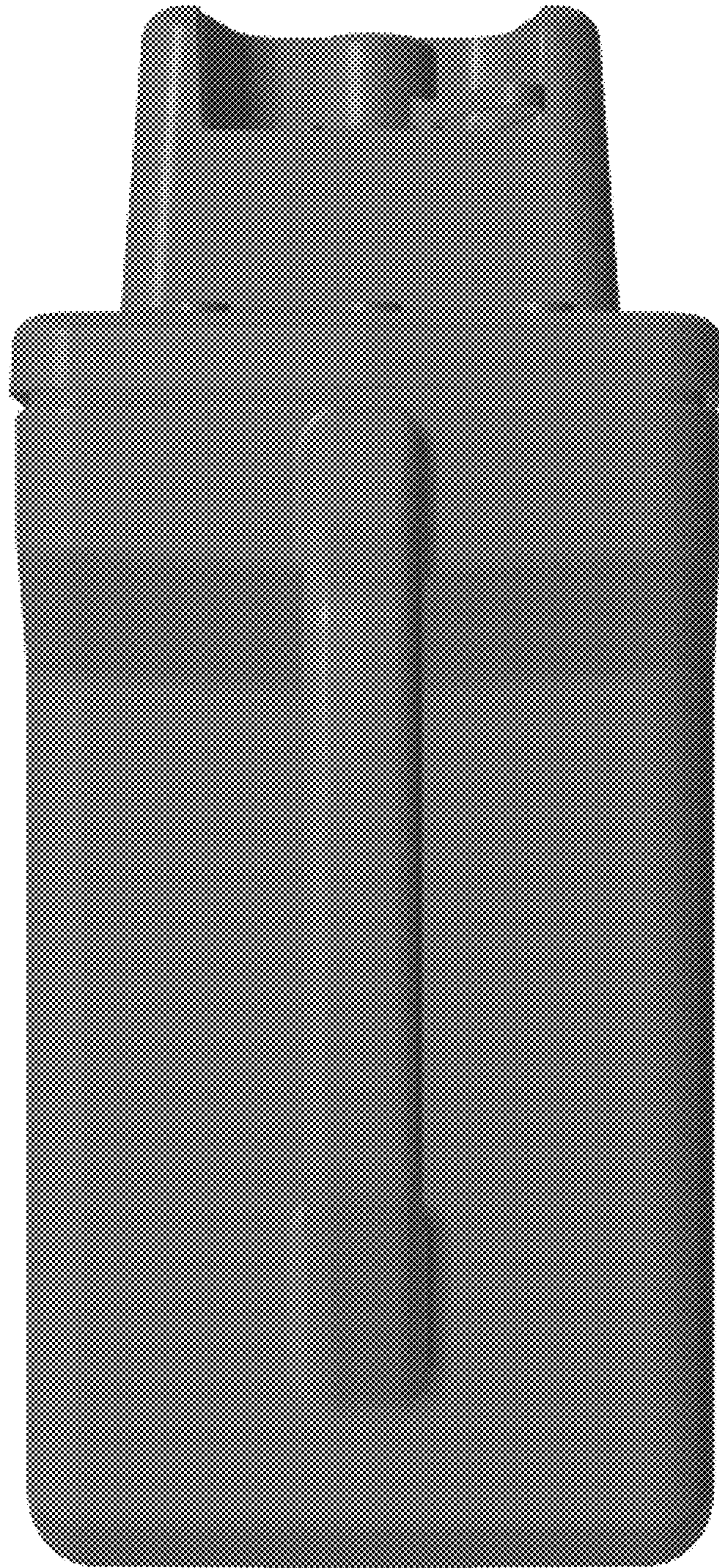
1.2



1.3



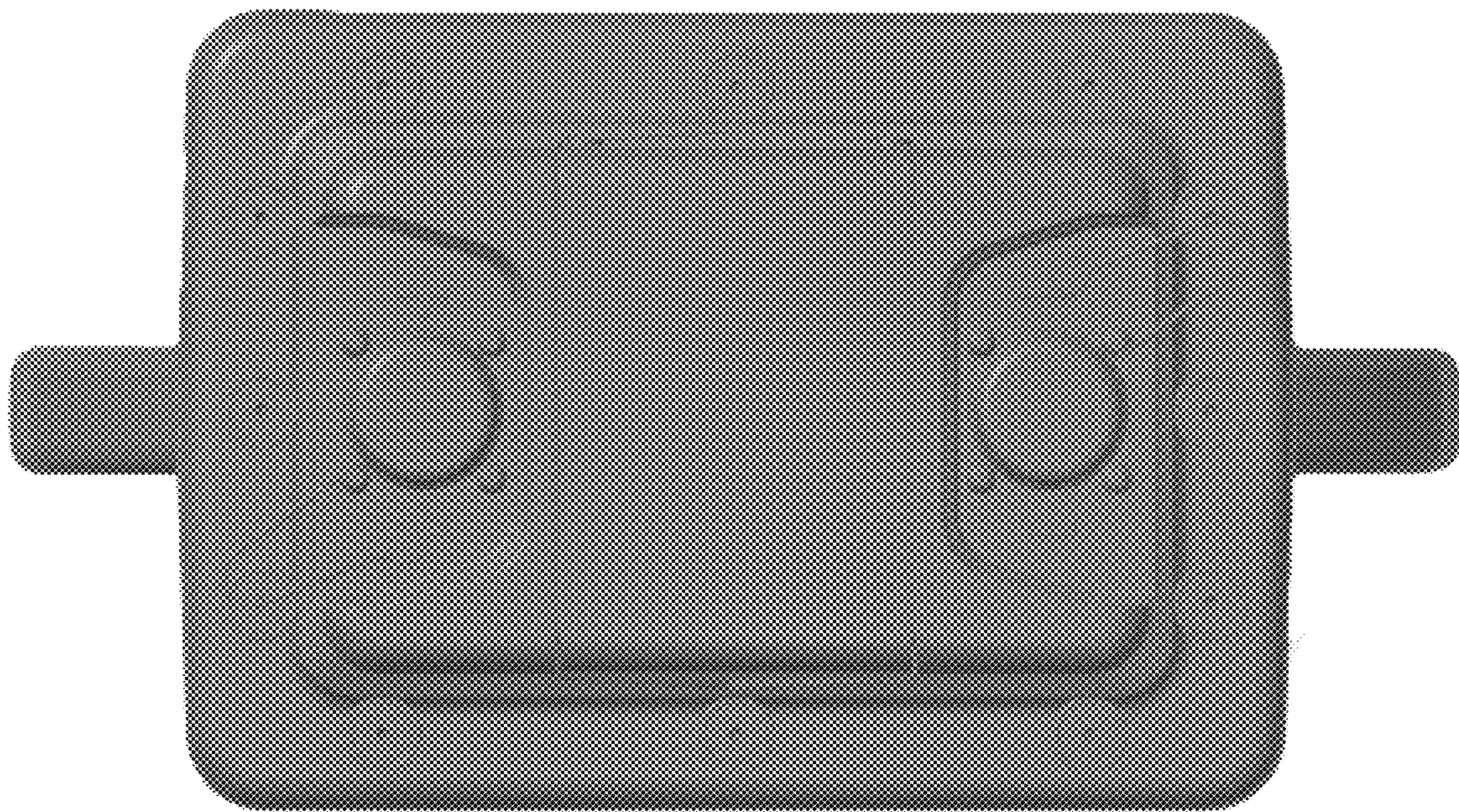
1.4



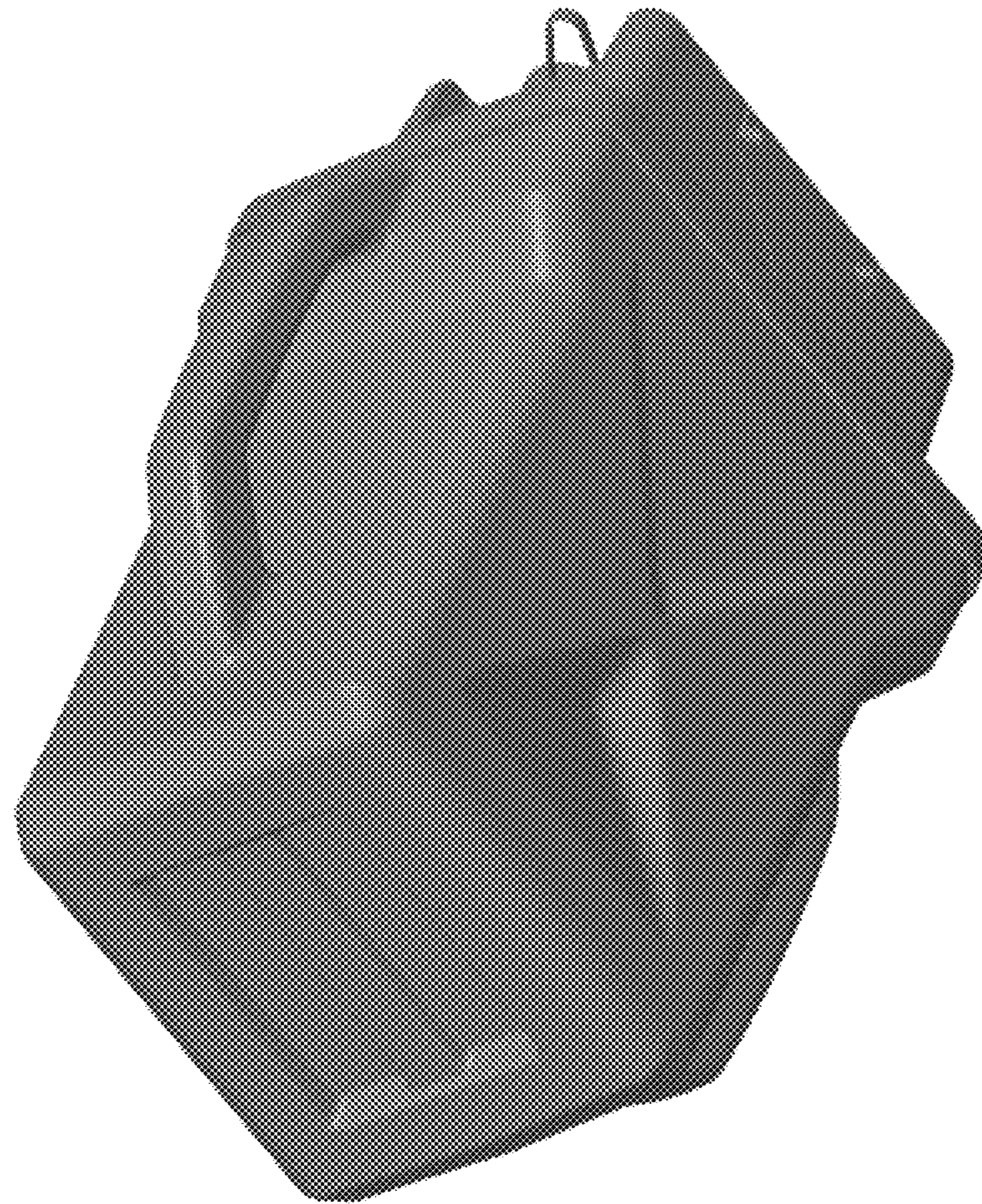
1.5



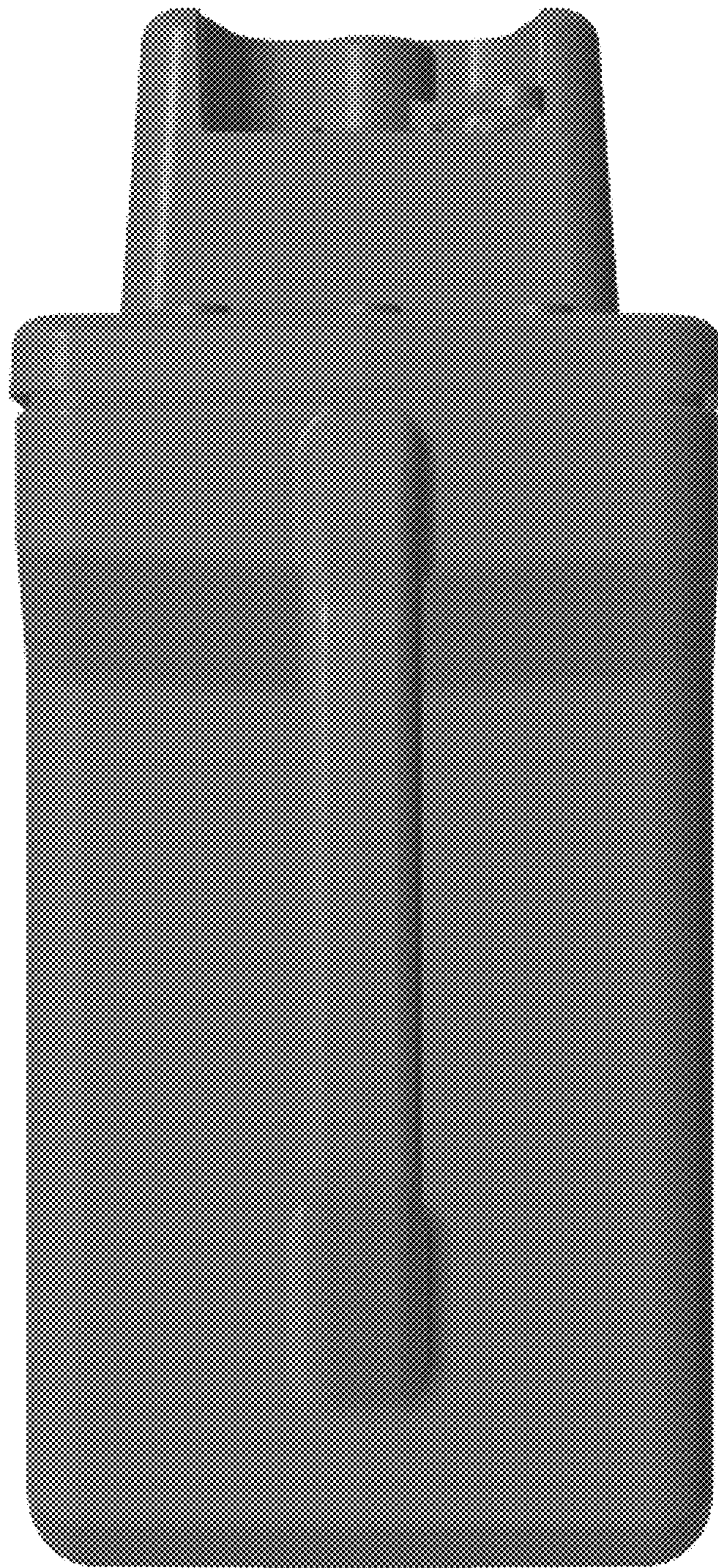
1.6



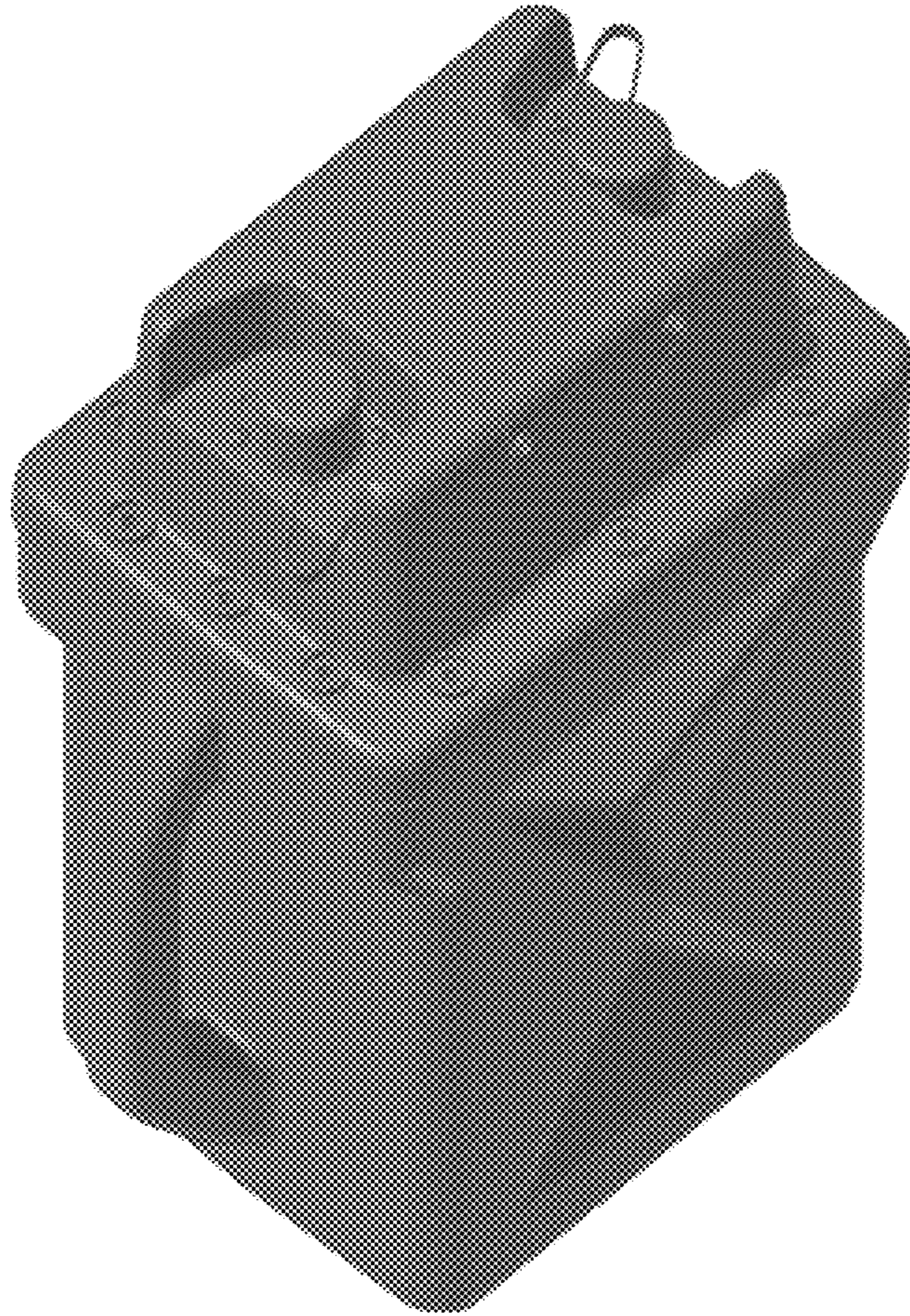
1.7



1.8



1.9



1.10

