



US00D981337S

(12) **United States Design Patent**  
**Underhill et al.**

(10) **Patent No.:** **US D981,337 S**

(45) **Date of Patent:** **\*\* Mar. 21, 2023**

(54) **BATTERY CHARGER**

(71) Applicant: **THE NOCO COMPANY**, Glenwillow, OH (US)

(72) Inventors: **Derek Michael Underhill**, Tempe, AZ (US); **Jonathan Lewis Nook**, Gates Mills, OH (US)

(73) Assignee: **The Noco Company**, Glenwillow, OH (US)

(\*\*) Term: **15 Years**

(21) Appl. No.: **29/761,828**

(22) Filed: **Dec. 11, 2020**

(51) **LOC (14) Cl.** ..... **13-02**

(52) **U.S. Cl.**  
USPC ..... **D13/107**

(58) **Field of Classification Search**  
USPC ..... D13/107-110, 118-119, 184; D14/251, D14/253, 432, 434

CPC ..... Y02T 90/14; H02J 7/025; H02J 7/0042; H02J 7/0044; H02J 7/0045; H02J 7/0003; H01F 38/14; H01R 13/6675; H01M 10/44; H01M 10/46; H01M 10/425

See application file for complete search history.

(56) **References Cited**

**U.S. PATENT DOCUMENTS**

4,057,313 A	11/1977	Polizzano
D307,579 S	5/1990	Layne
5,019,767 A	5/1991	Shirai et al.
D336,281 S	6/1993	Nakamura
5,585,992 A	12/1996	Wu
5,795,182 A	8/1998	Jacob
5,820,407 A	10/1998	Morse
5,833,493 A	11/1998	Hung
5,847,541 A	12/1998	Hahn
5,985,481 A	11/1999	Champagne

6,002,235 A	12/1999	Clore
6,386,907 B1	5/2002	Ruffa
6,471,540 B1	10/2002	Fernandez
D465,764 S	11/2002	Salazar
D483,721 S	12/2003	Kim
D485,810 S	1/2004	Fiocchi
D511,743 S	11/2005	Hriscu
D524,731 S	7/2006	Navarrez
D570,772 S	6/2008	Mahaffey
D575,225 S	8/2008	Ahlgren
D580,853 S	11/2008	Ahlgren
D597,029 S	7/2009	Li
D624,014 S	9/2010	Lingott
D634,313 S	3/2011	Fitzpatrick et al.
D654,854 S	2/2012	Inskeep
D654,855 S	2/2012	Inskeep
D654,856 S	2/2012	Inskeep
D654,867 S	2/2012	Huppe
D661,249 S	6/2012	Smith
D664,501 S	7/2012	Inskeep
D681,550 S	5/2013	Corbin
D684,116 S	6/2013	Inskeep

(Continued)

**OTHER PUBLICATIONS**

U.S. Trademark Application No. 86/030,590, filed Aug. 6, 2013, including drawing and sample.

(Continued)

*Primary Examiner* — Nathaniel D. Buckner

(74) *Attorney, Agent, or Firm* — Jones Day

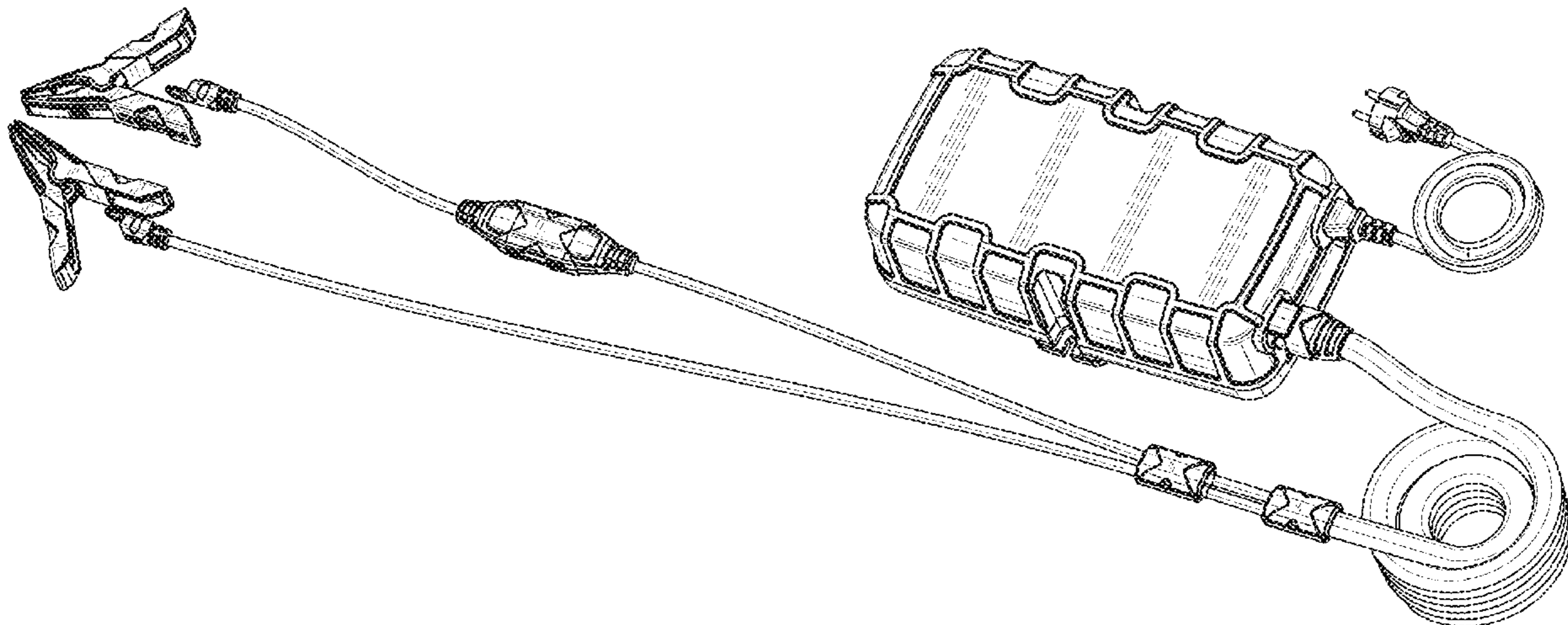
(57) **CLAIM**

The ornamental design for a battery charger, as shown and described.

**DESCRIPTION**

FIG. 1 is a perspective view of a battery charger, showing our new design; and, FIG. 2 is a top plan view thereof.

**1 Claim, 2 Drawing Sheets**





(56)

References Cited

U.S. PATENT DOCUMENTS

D687,768 S 8/2013 Minamikawa  
 D694,176 S 11/2013 Buetow et al.  
 D694,180 S \* 11/2013 Inskeep ..... D13/107  
 D701,490 S 3/2014 Inskeep  
 D711,821 S 8/2014 Wang  
 D731,422 S 6/2015 Aromin  
 D738,825 S 9/2015 Nook  
 D742,822 S 11/2015 Ju  
 D744,942 S 12/2015 Bates  
 D745,455 S \* 12/2015 Nook ..... D13/103  
 D746,770 S \* 1/2016 Nook ..... D13/103  
 D746,774 S 1/2016 Nook  
 D755,121 S 5/2016 Barajas  
 D757,650 S 5/2016 Faust  
 D758,302 S 6/2016 Walker  
 D758,960 S 6/2016 Johansson  
 D760,164 S 6/2016 Aida  
 D769,188 S 10/2016 Miller  
 D775,587 S 1/2017 Barajas  
 D785,563 S 5/2017 Yang  
 D786,192 S 5/2017 Liu  
 D786,790 S 5/2017 Miller  
 D787,443 S 5/2017 Chiang  
 D793,955 S 8/2017 Yang  
 D797,044 S 9/2017 Miller  
 D803,151 S 11/2017 Zhou  
 D808,653 S 1/2018 Rayeski  
 D809,454 S 2/2018 Zhou  
 D813,162 S 3/2018 Krantz  
 D814,406 S 4/2018 Yang  
 D816,024 S 4/2018 Yang  
 D821,306 S 6/2018 Liu  
 D828,295 S 9/2018 Li  
 D829,647 S 10/2018 Yang  
 D832,207 S 10/2018 Gorin  
 D832,781 S 11/2018 Nook  
 D836,064 S \* 12/2018 Liu ..... D13/102  
 D836,067 S 12/2018 Tschopp  
 D836,068 S 12/2018 Nook  
 D838,669 S 1/2019 Miller  
 D840,927 S \* 2/2019 Inskeep ..... D13/107  
 D842,238 S 3/2019 Qiu  
 D845,230 S 4/2019 Nook  
 D845,892 S 4/2019 Shum  
 D860,177 S \* 9/2019 Robins ..... D14/240  
 D861,597 S 10/2019 Gan  
 D866,457 S 11/2019 Liu  
 D866,463 S 11/2019 Hui  
 D867,985 S \* 11/2019 Nook ..... D13/107  
 D870,035 S 12/2019 Yang  
 D871,322 S 12/2019 Nook  
 D872,011 S \* 1/2020 Rao ..... D13/107  
 D872,012 S 1/2020 Rao  
 D881,813 S 4/2020 Nook  
 D883,925 S 5/2020 Yoon  
 D884,605 S 5/2020 Sun  
 D884,608 S \* 5/2020 Gan ..... D13/103  
 D885,329 S 5/2020 Gan  
 D892,726 S 8/2020 Wang  
 D892,727 S 8/2020 Gan  
 D896,749 S 9/2020 Wu  
 D902,851 S 11/2020 Wu  
 D903,588 S 12/2020 Shoemake  
 D911,286 S 2/2021 Esses  
 D911,936 S 3/2021 Miller  
 D911,949 S 3/2021 Sun  
 D911,950 S 3/2021 Zhang  
 D913,917 S 3/2021 Finocchiaro  
 D913,931 S 3/2021 Nook  
 D916,012 S 4/2021 Finocchiaro  
 D916,015 S 4/2021 Li  
 D918,830 S 5/2021 Chen  
 D919,572 S 5/2021 Lei  
 D922,945 S 6/2021 Sun  
 D923,564 S 6/2021 Liao

D924,132 S 7/2021 Turksu  
 D926,123 S 7/2021 Zhu  
 D926,124 S 7/2021 Zhu  
 D930,578 S 9/2021 Zheng  
 D934,793 S 11/2021 Shu  
 D937,197 S 11/2021 Hao  
 D937,762 S \* 12/2021 Chung ..... D13/107  
 D937,763 S 12/2021 Wang  
 D939,435 S 12/2021 Feng  
 D942,931 S \* 2/2022 Fang ..... D13/110  
 D943,516 S 2/2022 Wang  
 D944,191 S \* 2/2022 Wang ..... D13/107  
 D960,090 S 8/2022 Underhill et al.  
 2006/0201558 A1 9/2006 Marty et al.  
 2008/0213653 A1 9/2008 Marukawa et al.  
 2009/0237031 A1 9/2009 McSweyn  
 2011/0116861 A1 5/2011 Zhang et al.  
 2011/0230081 A1 9/2011 Rinehardt  
 2013/0164600 A1 6/2013 Roskamp et al.  
 2014/0184898 A1 7/2014 Overliese et al.  
 2015/0054336 A1 2/2015 Xinfang  
 2015/0099151 A1 4/2015 Lavender  
 2016/0072323 A1 3/2016 Miller  
 2016/0359352 A1 12/2016 Chiu  
 2017/0012448 A1 1/2017 Miller  
 2017/0346140 A1 11/2017 Koebler  
 2018/0269703 A1 9/2018 Nook  
 2018/0342891 A1 11/2018 Nook  
 2019/0222042 A1 7/2019 Nook  
 2020/0227937 A1 7/2020 Lu  
 2021/0075235 A1 \* 3/2021 Nook ..... H02J 7/0034  
 2021/0094428 A1 4/2021 Nook  
 2021/0296913 A1 9/2021 Nook

OTHER PUBLICATIONS

“Amazon Basics Battery Charger” Found online Mar. 8, 2022 at amazon.com. Reference dated Jan. 18, 2020. Retrieved from [https://www.amazon.com/AmazonBasics-Battery-Charger-Volt-800mA/dp/B07TTNV9LZ/re=psdc\\_15707061\\_t1\\_B00DJ5KEEA?th=1](https://www.amazon.com/AmazonBasics-Battery-Charger-Volt-800mA/dp/B07TTNV9LZ/re=psdc_15707061_t1_B00DJ5KEEA?th=1) (Year: 2020).  
 “Battery Tender Plus Battery Charger” Found online Mar. 8, 2022 at amazon.com. Reference dated Jan. 20, 2007. Retrieved from [https://www.amazon.com/dp/B00DJ5KEEA/ref=sspa\\_dk\\_detail\\_8](https://www.amazon.com/dp/B00DJ5KEEA/ref=sspa_dk_detail_8) (Year: 2007).  
 “BEATIT Jump Starter” Found online May 20, 2021 at amazon.com. Reference dated Dec. 24, 2018. Retrieved from [https://www.amazon.com/BEATIT-21000mAh-Portable-Inverter-BP101/dp/B07M9M86JM/ref=psdc\\_318336011\\_t5\\_B084BWGWY](https://www.amazon.com/BEATIT-21000mAh-Portable-Inverter-BP101/dp/B07M9M86JM/ref=psdc_318336011_t5_B084BWGWY) (Year: 2018).  
 “Durst Battery Charger” Found online Apr. 4, 2022 at durst.com.au. Reference dated Mar. 9, 2010. Retrieved from [https://tineye.com/search/1ec8ff6116e1710356e88efed9dfccdcbe769?sort=crawl\\_date&order=asc&page=1](https://tineye.com/search/1ec8ff6116e1710356e88efed9dfccdcbe769?sort=crawl_date&order=asc&page=1) (Year: 2010).  
 “MOTOPOWER Battery Charger” Found online Mar. 8, 2022 at amazon.com. Reference dated Dec. 2, 2017. Retrieved from [https://www.amazon.com/MOTORPOWER-MP00205A-Automatic-Battery-Maintainer/dp/806XWDZ2KQ/ref=pd\\_day0fbt\\_img\\_2/133-437029-9147658](https://www.amazon.com/MOTORPOWER-MP00205A-Automatic-Battery-Maintainer/dp/806XWDZ2KQ/ref=pd_day0fbt_img_2/133-437029-9147658) (Year: 2017).  
 “NOCO Boost Max GB251” Found online Mar. 16, 2022 at amazon.com. Reference dated Jan. 27, 2021. Retrieved from <https://www.amazon.com/NOCO-GB251-Ultrasafe-Commercial-32-Liters/dp/B08V73BZ42> (Year: 2021).  
 “NOCO Boost GB70 Jump Starter” Found online Mar. 8, 2022 at amazon.com. Reference dated Jan. 1, 2010. Retrieved from [https://www.amazon.com/dp/B016UG6PWE?ref=emc\\_p\\_m\\_5\\_i](https://www.amazon.com/dp/B016UG6PWE?ref=emc_p_m_5_i) (Year: 2010).  
 “NOCO Genius G750 Battery Charger” Found online Mar. 8, 2022 at youtube.com. Reference dated Jul. 10, 2015. Retrieved from <https://www.youtube.com/watch?v=Ln8f30-5lyU> (Year: 2015).  
 “NOCO Boost Pro GB150 Jump Starter” Found online Mar. 8, 2022 at amazon.com. Reference dated Sep. 1, 2015. Retrieved from [https://www.amazon.com/dp/B015TKSSB8?ref=emc\\_p\\_m\\_5\\_i](https://www.amazon.com/dp/B015TKSSB8?ref=emc_p_m_5_i) (Year: 2015).

(56)

**References Cited**

## OTHER PUBLICATIONS

“NOCO GBX55 Jump Starter” Found online Mar. 18, 2022 at amazon.com. Reference dated Feb. 22, 2021. Retrieved from <https://www.amazon.com.au/NOCO-GBX55-UltrSAFE-Powerbank-7-5-Liter/dp/B08WZKRHZZ> (Year: 2021).

“NOCO Boost XL GB50 Jump Starter” Found online Mar. 17, 2022 at amazon.com. Reference dated Jan. 16, 2019. Retrieved from <https://www.amazon.com/NOCO-GB50-UltrSAFE-Lithium-Gasoline/dp/B07MVY7K43> (Year: 2019).

“NOCO Genius 2x4 Charger” Found online Apr. 1, 2022 at amazon.com. Reference dated Aug. 15, 2020. Retrieved from <https://www.amazon.com/dp/B08FYS6CL8> (Year: 2020).

“NOCO Genius 2x2 Charger” Found online Mar. 8, 2022 at amazon.com. Reference dated Jul. 31, 2020. Retrieved from [https://www.amazon.com/dp/B08F37P7H3?ref=emc\\_p\\_m\\_5\\_i](https://www.amazon.com/dp/B08F37P7H3?ref=emc_p_m_5_i) (Year: 2020).

“NOCO Genius 10 Charger” Found online Mar. 8, 2022 at amazon.com. Reference dated Nov. 18, 2019. Retrieved from [https://www.amazon.com.au/NOCO-GENIUS10-Fully-Automatic-Temperature-Compensation/dp/B07W3QT226/ref=psdc\\_15707061\\_t2\\_B07W8KJH44](https://www.amazon.com.au/NOCO-GENIUS10-Fully-Automatic-Temperature-Compensation/dp/B07W3QT226/ref=psdc_15707061_t2_B07W8KJH44) (Year: 2019).

“NOCO Genius 5 Smart Charger” Found online Mar. 8, 2022 at amazon.com. Reference dated Nov. 18, 2019. Retrieved from [https://www.amazon.com/dp/B07W8KJH44?ref=emc\\_p\\_m\\_5\\_I](https://www.amazon.com/dp/B07W8KJH44?ref=emc_p_m_5_I) (Year: 2019).

“NOCO Genius 1 Charger” Found online Mar. 8, 2022 at amazon.com. Reference dated Nov. 18, 2019. Retrieved from <https://www.amazon.com/NOCO-GENIUS1-Fully-Automatic-Temperature-Compensation/dp/B07W46BX31> (Year: 2019).

“REDARC Battery Charger” Found online Apr. 4, 2022 at allplant.net.au. Reference dated Nov. 4, 2016. Retrieved from [https://tineye.com/search/90925c60c27321fa89cba970b4406754770123af?sort=crawl\\_date&order=asc&page=1](https://tineye.com/search/90925c60c27321fa89cba970b4406754770123af?sort=crawl_date&order=asc&page=1) (Year: 2016).

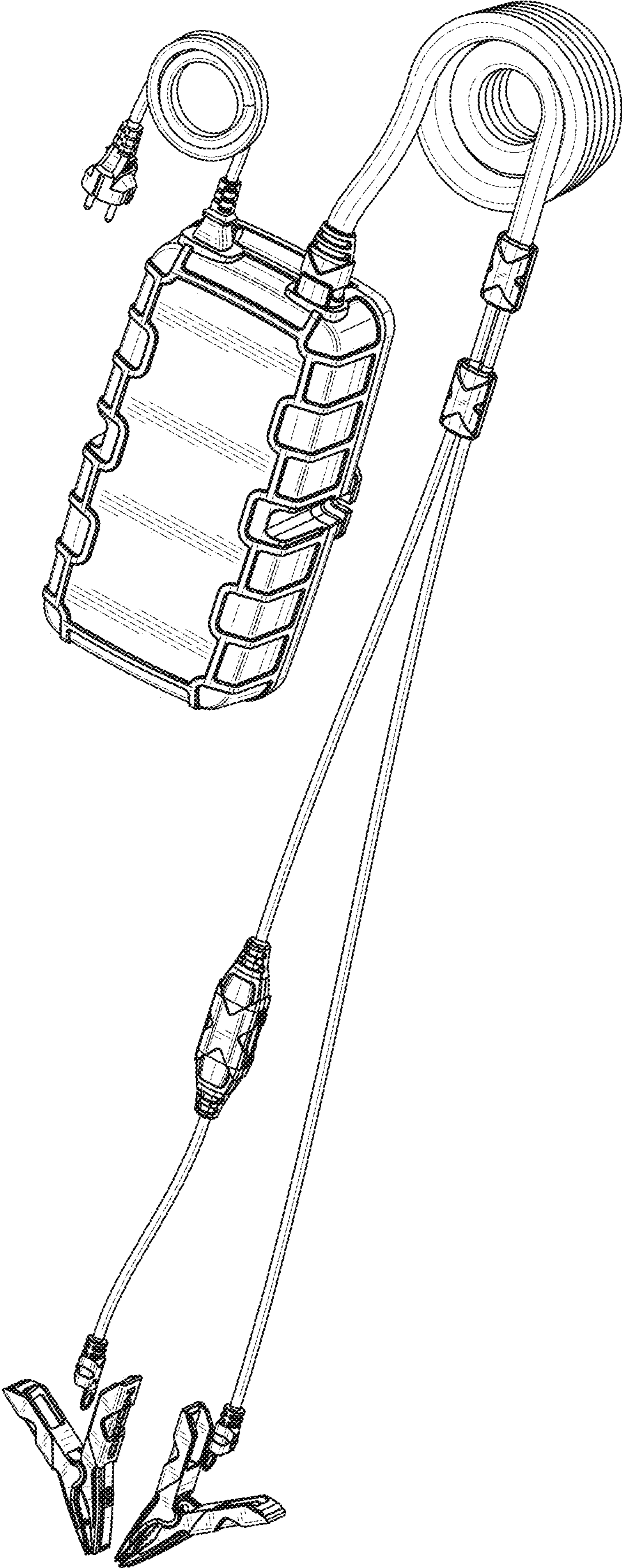
“Renogy On-Board Battery Charger” Found online Apr. 4, 2022 at amazon.com. Reference dated Apr. 2, 2018. Retrieved from <https://www.amazon.com/Renogy-Battery-Batteries-Multi-stage-Charging/dp/B07Q5VYPCF?th=1> (Year: 2018).

“Victron Energy Charger” Found online Apr. 4, 2022 at amazon.com. Reference dated Sep. 27, 2020. Retrieved from [https://www.amazon.com/Orion-Tr-12-30A-Isolated-Charger-Booster/dp/B07ZKG386Y/ref+pd\\_Ipo\\_2?pd\\_rd =B07ZKG396Y&th=1](https://www.amazon.com/Orion-Tr-12-30A-Isolated-Charger-Booster/dp/B07ZKG386Y/ref+pd_Ipo_2?pd_rd =B07ZKG396Y&th=1) (Year: 2020).

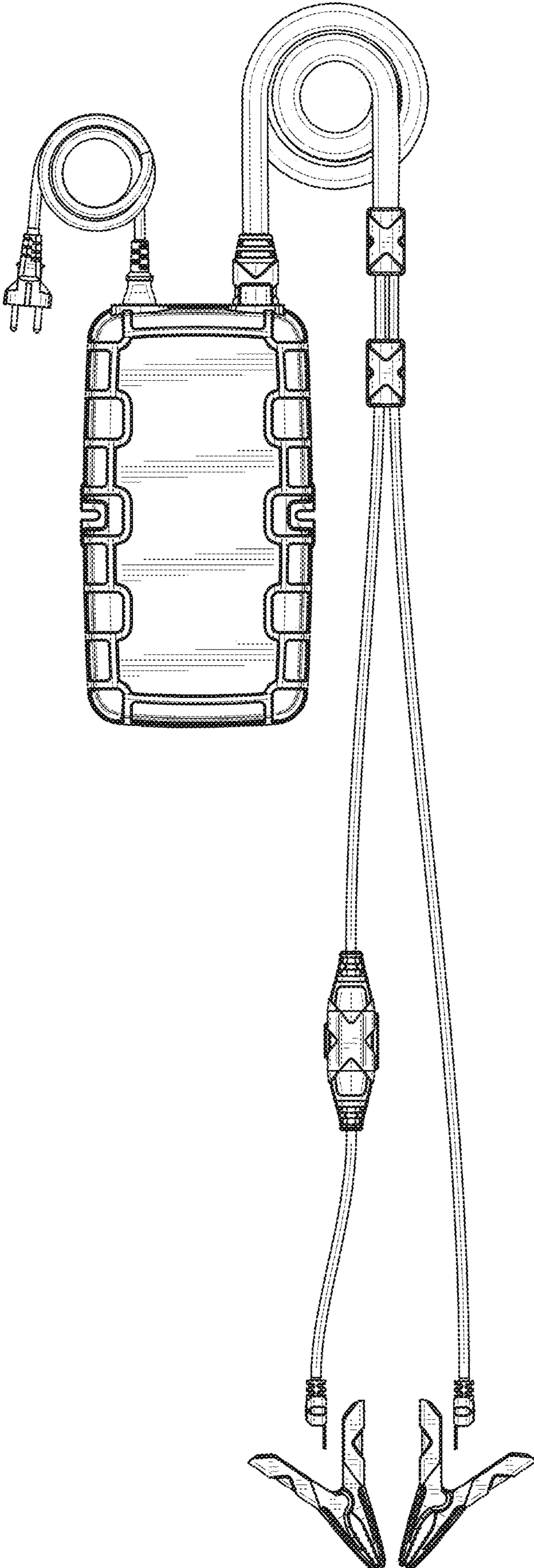
“YONHAN Battery Charger” Found online Mar. 8, 2022 at amazon.com. Reference dated Jun. 9, 2020. Retrieved from [https://www.amazon.com/Automotive-Battery-Automatic-Motorcycle-YONHAN/dp/B089VRXB2W/ref=psdc\\_15707061-t5-B09HGYMP7D](https://www.amazon.com/Automotive-Battery-Automatic-Motorcycle-YONHAN/dp/B089VRXB2W/ref=psdc_15707061-t5-B09HGYMP7D) (Year: 2020).

\* cited by examiner





**FIG. 1**



**FIG. 2**